



US00D636223S

(12) **United States Design Patent**  
**Neiheiser et al.**

(10) **Patent No.:** **US D636,223 S**

(45) **Date of Patent:** **\*\* Apr. 19, 2011**

(54) **GERM GUARD**

(75) Inventors: **Kathryn Jeanne Neiheiser**,  
Strongsville, OH (US); **Michael J.**  
**Maczuzak**, Bratenahl, OH (US); **Cherry**  
**Bochmann**, Bay Village, OH (US)

(73) Assignee: **KD Diversified, LLC**, Painesville, OH  
(US)

(\*\*) Term: **14 Years**

(21) Appl. No.: **29/360,901**

(22) Filed: **May 3, 2010**

(51) **LOC (9) Cl.** ..... **07-01**

(52) **U.S. Cl.** ..... **D7/396.2; D7/396.3; D7/392.1**

(58) **Field of Classification Search** ..... D7/667,  
D7/619.1, 396.3, 396.2, 392.1, 900; 215/317;  
210/469; 220/704, 716; 424/618  
See application file for complete search history.

(56) **References Cited**

**U.S. PATENT DOCUMENTS**

34,311	A *	2/1862	McGuffie	14/11
553,836	A *	2/1896	Bruun	220/704
682,120	A *	9/1901	Toby	74/56
924,135	A *	6/1909	Blenckstone	220/716
927,892	A *	7/1909	Steele, Jr.	220/704
1,449,811	A *	3/1923	Dacey	222/484
1,624,276	A *	4/1927	Nelson	210/495

1,682,491	A *	8/1928	Egan	220/87.1
D112,449	S *	12/1938	Hall	D7/396.3
3,944,112	A *	3/1976	Miller	220/704
D283,492	S *	4/1986	Nitsch	D9/436
D414,652	S *	10/1999	Lillelund et al.	D7/392
D439,798	S *	4/2001	Bunn	D7/397
6,318,370	B1 *	11/2001	Sempere et al.	128/857
6,497,818	B1 *	12/2002	Bunn	210/238
D489,611	S *	5/2004	Monsanty	D9/435
D537,675	S *	3/2007	Khalifa	D7/392.1
D627,192	S *	11/2010	Gilbert et al.	D7/392.1
7,828,170	B2 *	11/2010	Cohen	220/716

\* cited by examiner

*Primary Examiner* — Marianne Pandozzi

(74) *Attorney, Agent, or Firm* — Turocy & Watson, LLP

(57) **CLAIM**

The ornamental design for a germ guard, as shown and described.

**DESCRIPTION**

FIG. 1 is a perspective view of a germ guard showing our new design;

FIG. 2 is an enlarged front view thereof;

FIG. 3 is an enlarged right side view thereof;

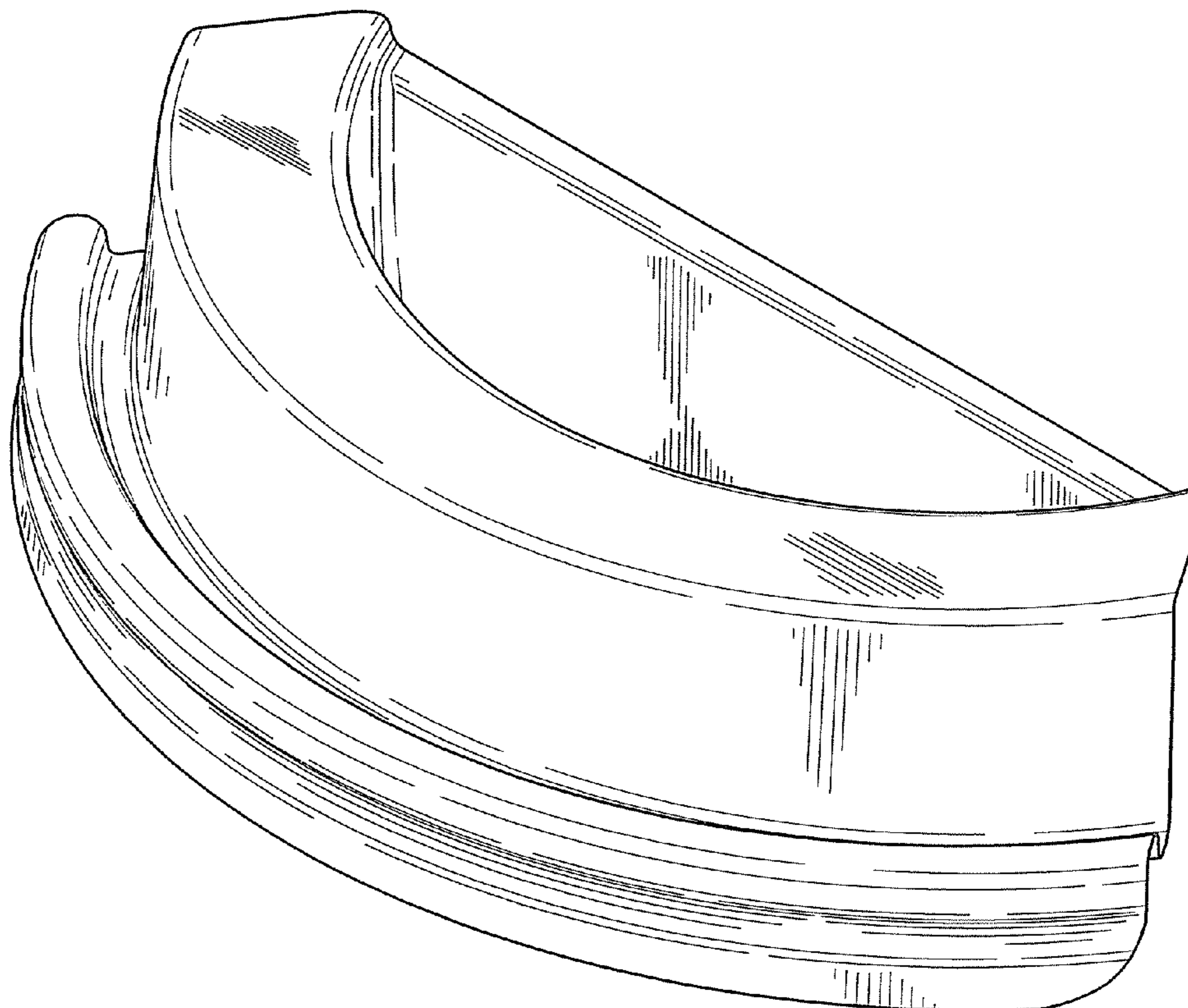
FIG. 4 is an enlarged rear view thereof;

FIG. 5 is an enlarged top plan view thereof;

FIG. 6 is an enlarged left side view thereof; and,

FIG. 7 is an enlarged bottom plan view thereof.

**1 Claim, 7 Drawing Sheets**



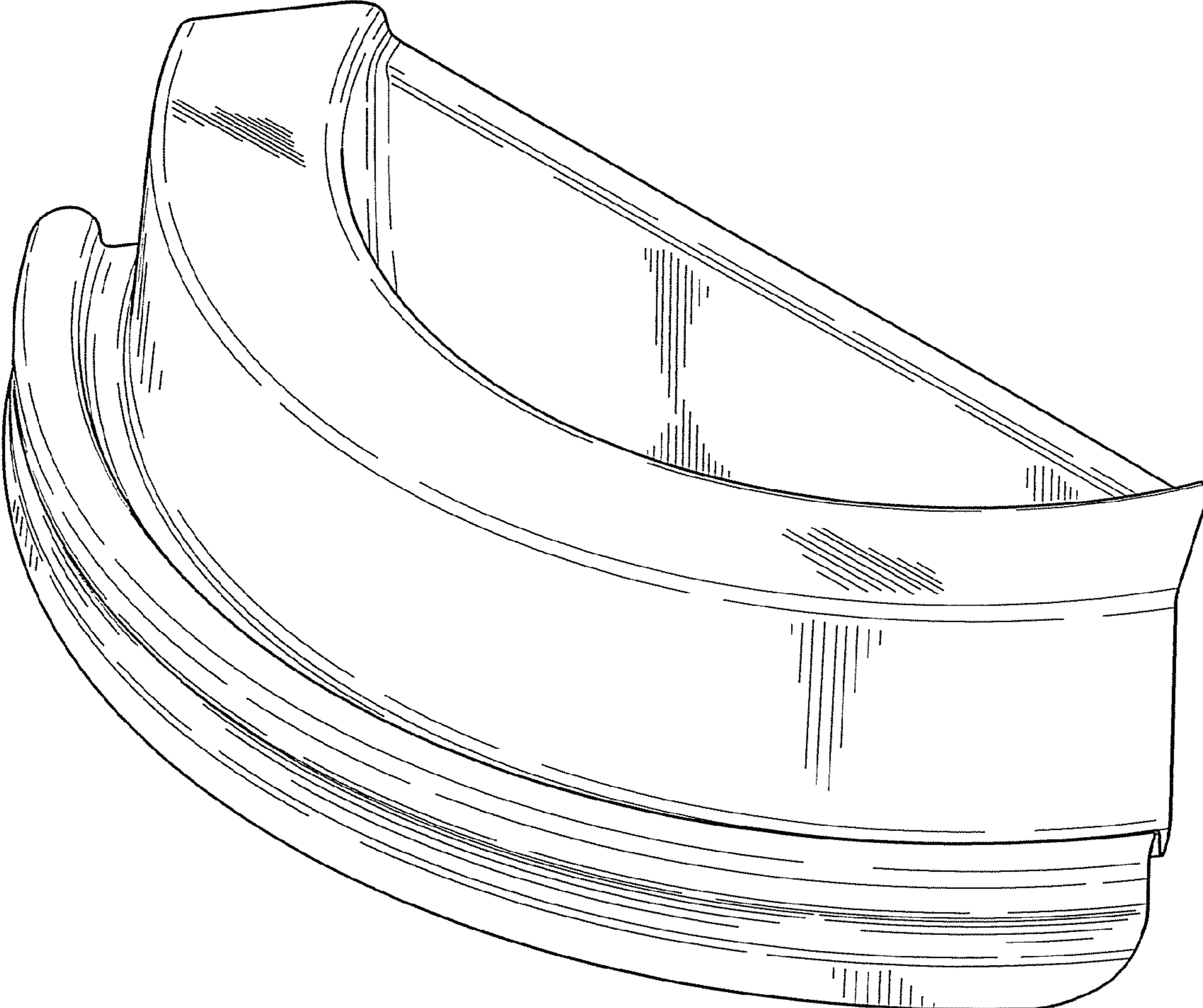


Fig. 1

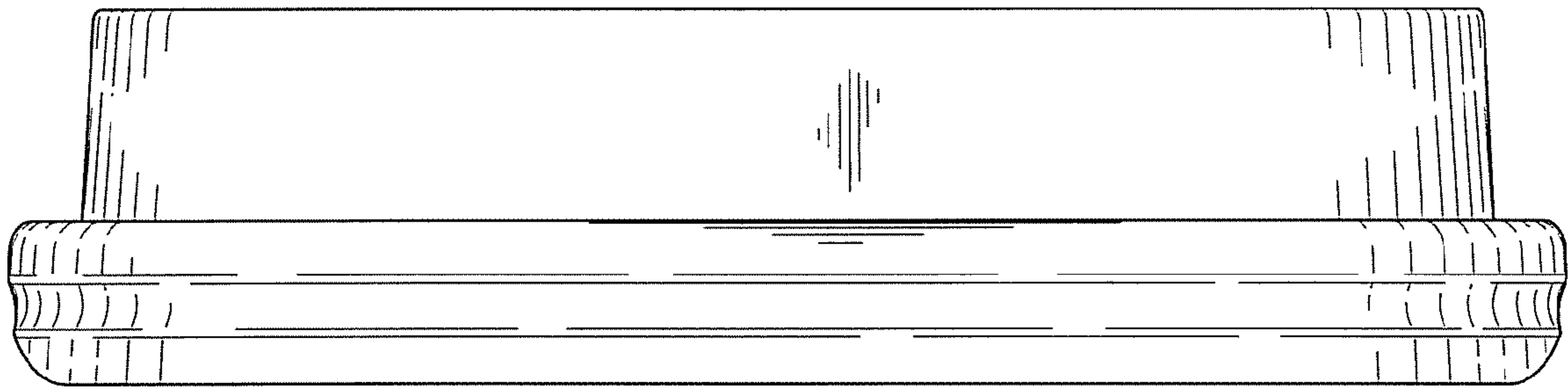


Fig. 2

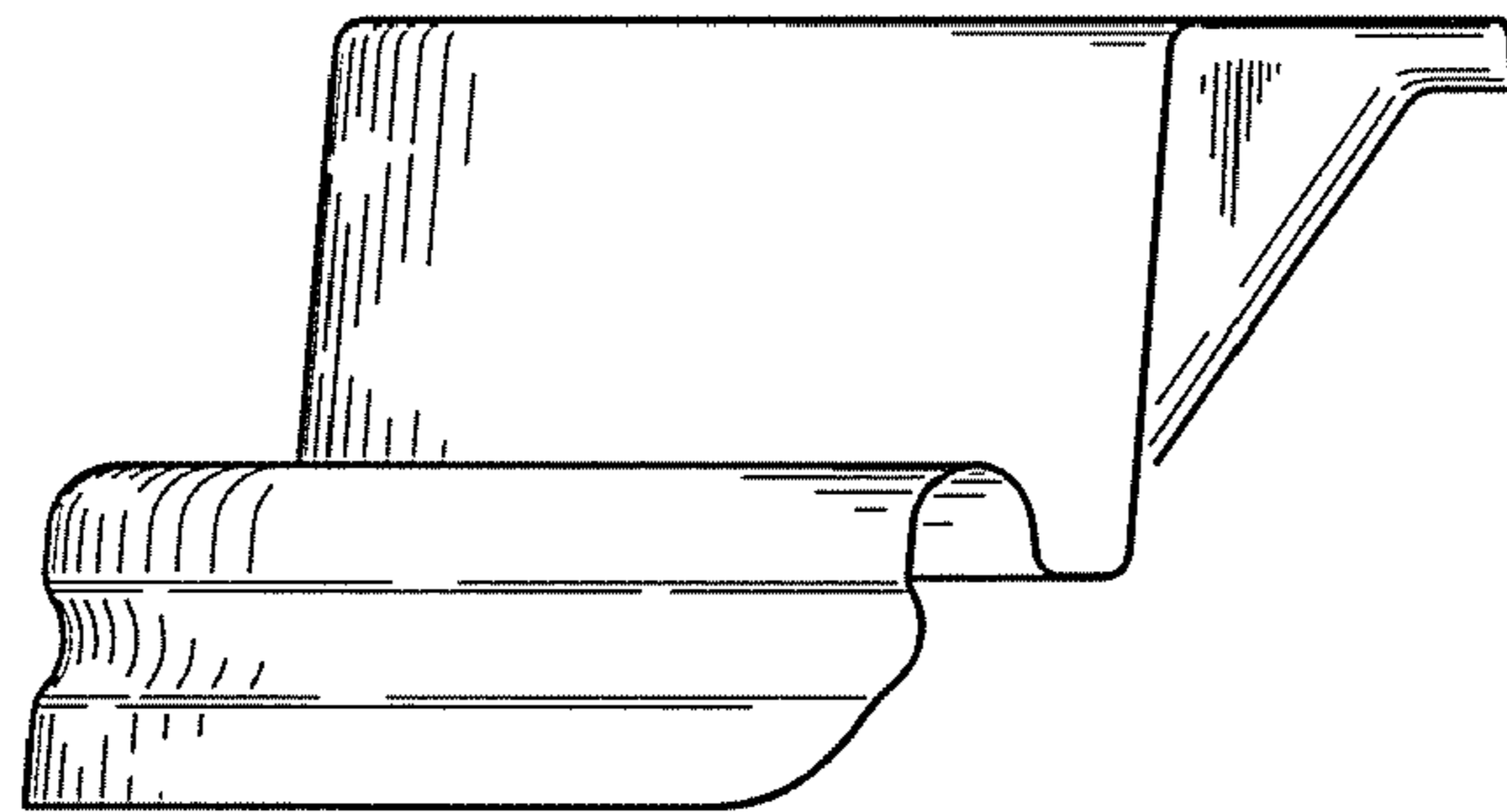


Fig. 3

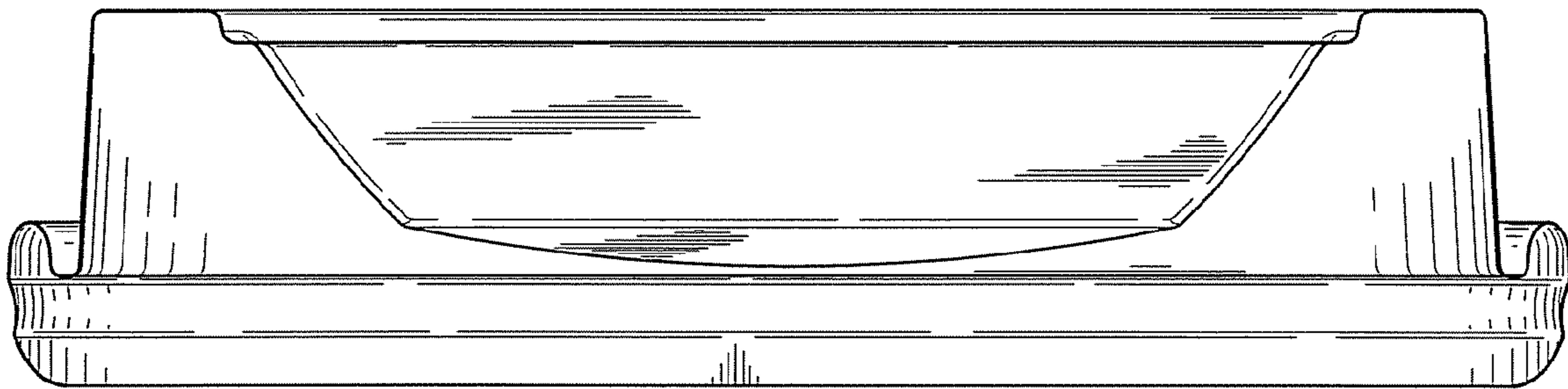


Fig. 4

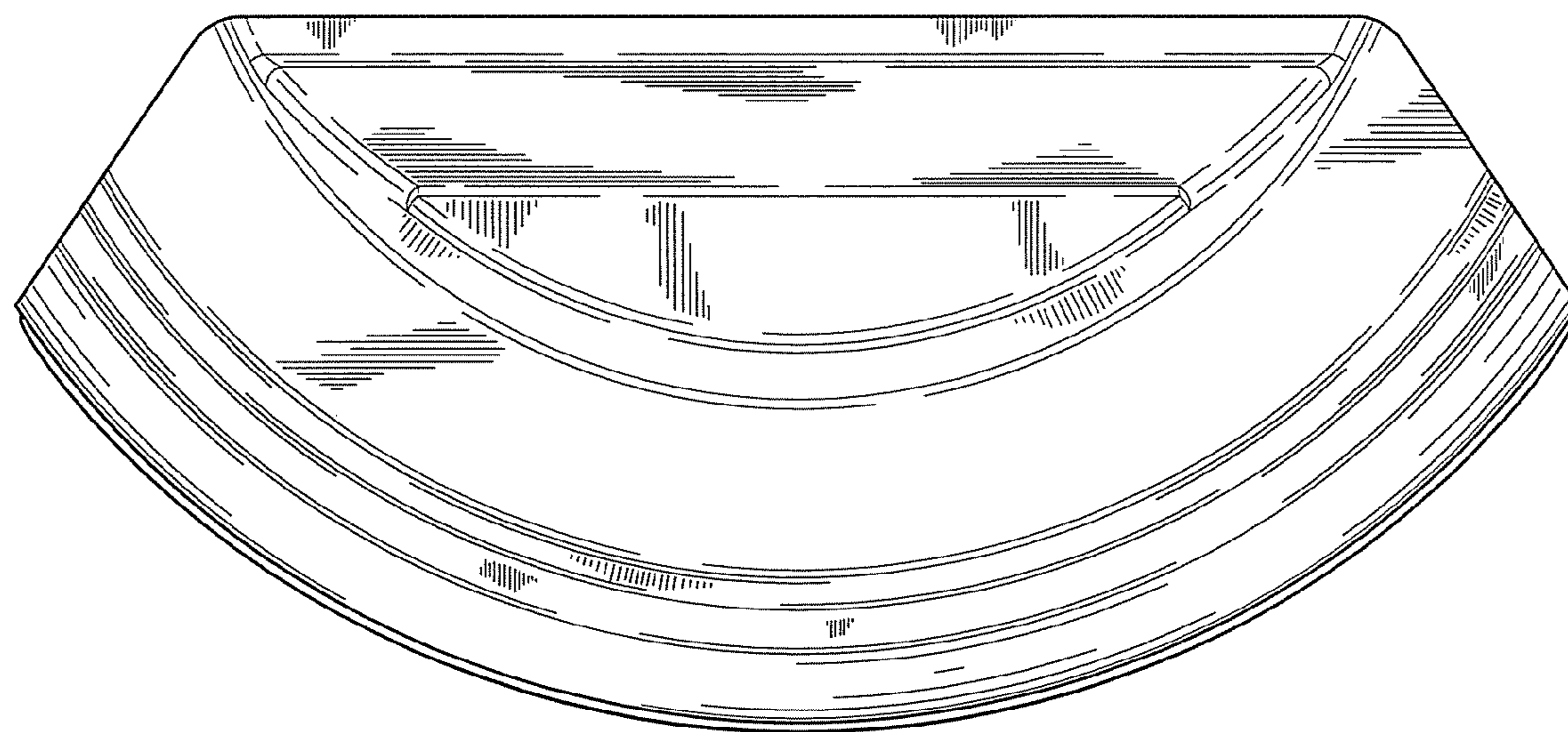


Fig. 5

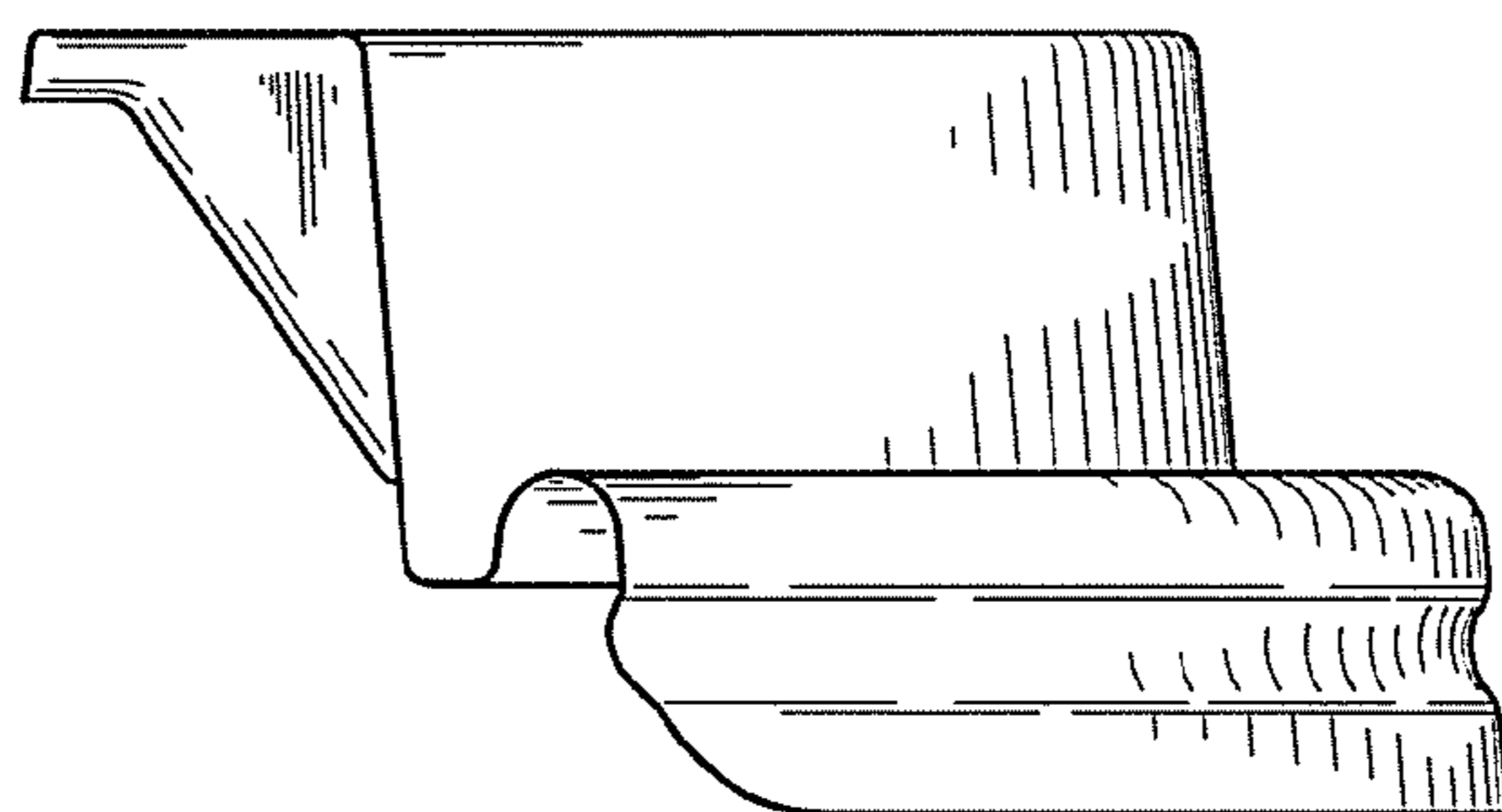


Fig. 6

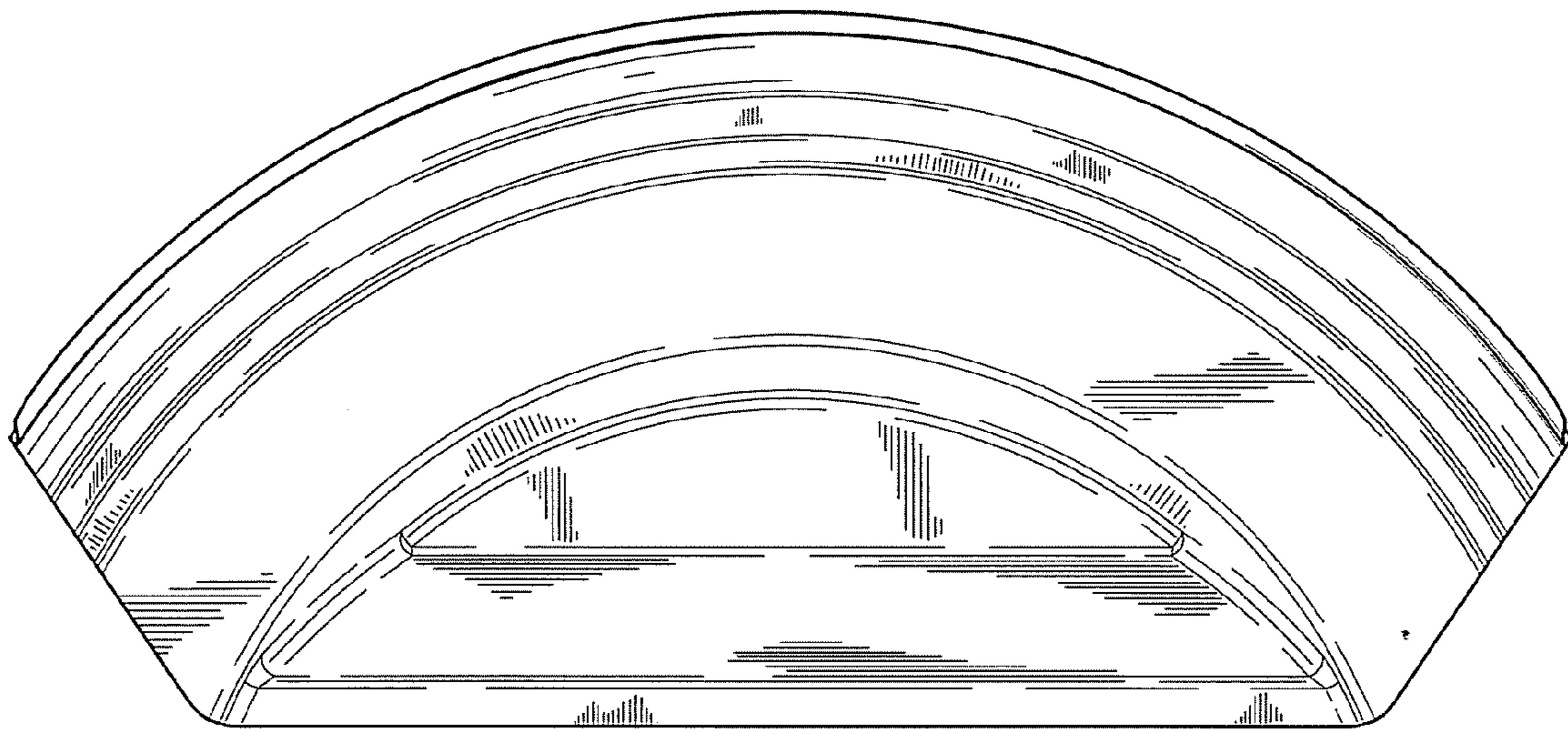


Fig. 7