



US00D636220S

(12) **United States Design Patent**  
**Caldwell et al.**

(10) **Patent No.:** **US D636,220 S**  
(45) **Date of Patent:** **\*\* Apr. 19, 2011**

(54) **CONDIMENT PACKAGE CADDY HANDLE**

(75) Inventors: **Craig Caldwell**, Slippery Rock, PA  
(US); **John Marshall**, Pittsburgh, PA  
(US); **William Rasile**, Allison Park, PA  
(US)

(73) Assignee: **H.J. Heinz Company**, Pittsburgh, PA  
(US)

(\*\*) Term: **14 Years**

(21) Appl. No.: **29/364,640**

(22) Filed: **Jun. 25, 2010**

(51) **LOC (9) Cl.** ..... **07-02**

(52) **U.S. Cl.** ..... **D7/394; D7/401.1; D7/600; D3/308;**  
D9/434

(58) **Field of Classification Search** ..... D7/393,  
D7/394, 401.1, 560, 600, 601, 622, 709, 710;  
D3/246, 307, 308, 309, 315, 318; D9/414,  
D9/415-419, 430, 431, 432, 434, 753; 206/162,  
206/163, 167, 169, 175, 191, 193, 194, 198,  
206/199, 200, 216, 374, 375, 446, 485, 541,  
206/549; 220/756; 229/117.13-117.17

See application file for complete search history.

(56) **References Cited**

**U.S. PATENT DOCUMENTS**

2,705,579 A	4/1955	Mason	
D178,457 S *	8/1956	Larsen	D9/753
2,898,003 A	8/1959	Wilson et al.	
D198,236 S *	5/1964	Schaefer	D3/308
D206,359 S *	11/1966	Dolgins	D9/753
D206,361 S *	11/1966	Wond	D9/753
3,315,801 A	4/1967	Lowry	
3,335,905 A *	8/1967	Arneson	D9/753
3,370,757 A	2/1968	Foster	
3,407,969 A	10/1968	Klein et al.	
3,453,661 A	7/1969	Repko	
3,642,189 A *	2/1972	Widenback	229/117.13
3,660,960 A	5/1972	Inman	

3,722,754 A	3/1973	Struble	
3,873,735 A	3/1975	Chalin et al.	
D242,901 S *	1/1977	Lohrbach	D9/432
4,090,660 A	5/1978	Schram et al.	
4,301,926 A	11/1981	Chung	
D268,157 S *	3/1983	Campton	D3/308
D270,496 S *	9/1983	Hyers	D3/246
4,463,869 A	8/1984	Lewis	
4,566,613 A	1/1986	Anscomb	
4,648,506 A	3/1987	Campbell	
4,673,085 A	6/1987	Badouard et al.	
D292,879 S *	11/1987	Smith	D9/753
4,717,046 A	1/1988	Brogli	
D295,106 S *	4/1988	Hays et al.	D3/308
4,762,124 A	8/1988	Kerch et al.	
4,765,463 A	8/1988	Chanel	
4,863,036 A	9/1989	Heijenga	

(Continued)

**FOREIGN PATENT DOCUMENTS**

FR 2801570 6/2001

(Continued)

*Primary Examiner* — Cynthia M Chin

(74) *Attorney, Agent, or Firm* — Duane Morris LLP

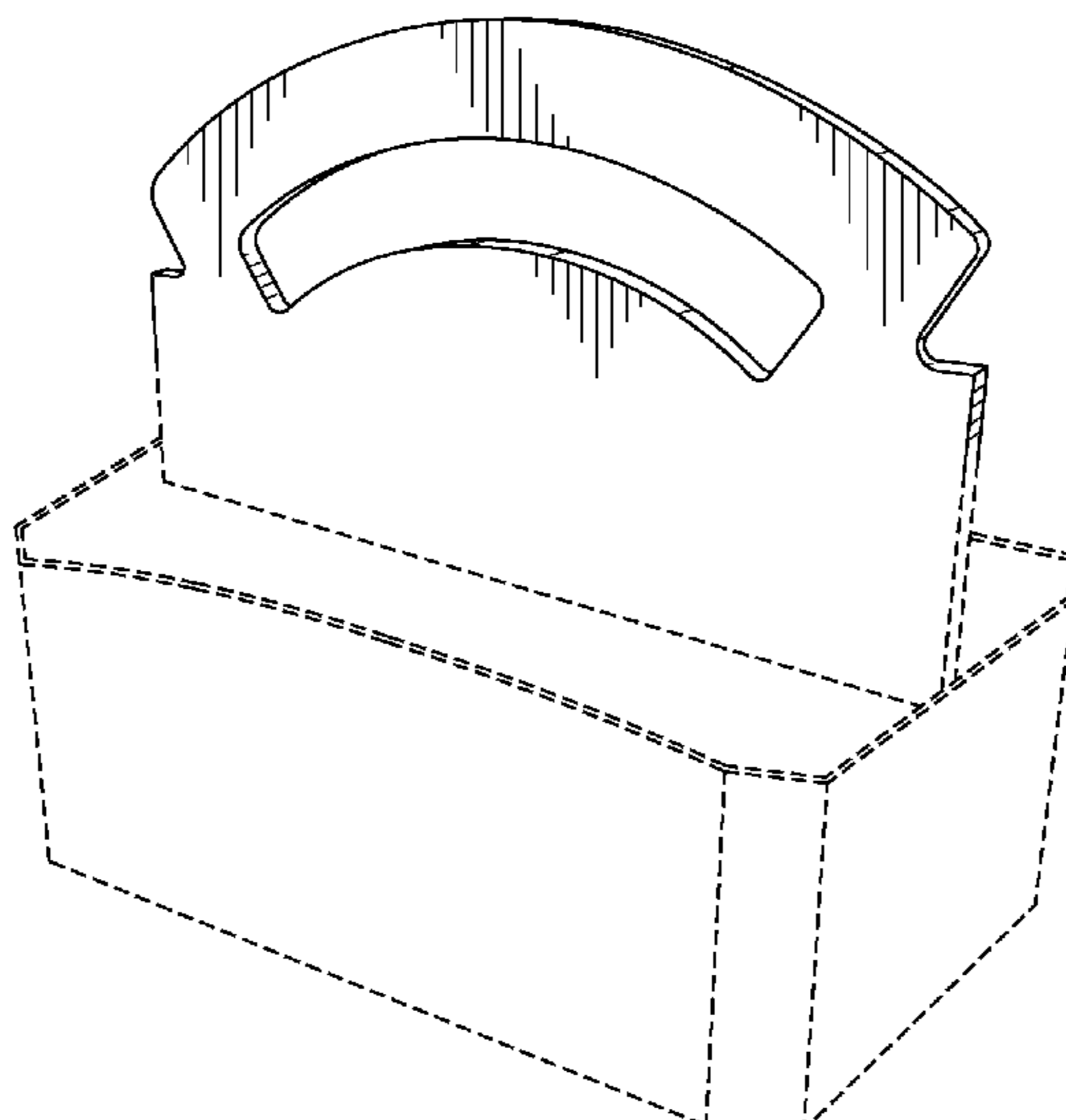
(57) **CLAIM**

The ornamental design for a condiment package caddy handle, as shown and described.

**DESCRIPTION**

FIG. 1 is a perspective view of the condiment package caddy handle;  
FIG. 2 is a side view of the condiment package caddy handle;  
FIG. 3 is an end view of the condiment package caddy handle;  
and,  
FIG. 4 is a top view of the condiment package caddy handle.  
The broken lines shown are included for the purpose of illustrating the unclaimed portions of the article and form no part of the claimed design.

**1 Claim, 2 Drawing Sheets**



# US D636,220 S

Page 2

## U.S. PATENT DOCUMENTS

4,871,091	A	10/1989	Preziosi	
4,872,597	A	10/1989	Hanafusa	
4,921,137	A	5/1990	Heijenga	
4,963,045	A	10/1990	Willcox	
4,989,419	A	2/1991	Brando et al.	
D317,690	S	6/1991	Thomsen	
D318,795	S	8/1991	Christine	
5,038,974	A	8/1991	DaCosta	
5,111,932	A	5/1992	Campbell	
5,141,136	A	8/1992	Tignor	
5,156,329	A	10/1992	Farrell	
D334,255	S *	3/1993	Nelson .....	D9/432
5,235,149	A	8/1993	Boehrer	
D343,713	S *	1/1994	Barber .....	D3/308
5,277,920	A	1/1994	Weaver, Jr.	
D354,906	S	1/1995	Lane, Jr. et al.	
5,411,178	A	5/1995	Roders et al.	
D362,595	S	9/1995	Schneider	
5,482,172	A	1/1996	Braddock	
5,529,224	A	6/1996	Chan et al.	
5,546,728	A	8/1996	Dekeyser	
5,613,517	A	3/1997	Handler	
D381,562	S *	7/1997	Westcott .....	D7/600
5,662,245	A	9/1997	Grant	
5,706,961	A	1/1998	Morano	
5,738,217	A *	4/1998	Hunter .....	206/549
5,799,838	A	9/1998	Miller	
5,806,726	A	9/1998	Ho	
5,839,609	A	11/1998	Zakensberg	
5,996,845	A	12/1999	Chan	
6,007,264	A	12/1999	Koptis	
6,051,263	A	4/2000	Gorlich et al.	
6,062,413	A	5/2000	Redmond	
6,085,942	A	7/2000	Redmond	
6,089,375	A	7/2000	Johnson et al.	
D435,440	S	12/2000	Croft et al.	
6,220,311	B1	4/2001	Litto	
D442,078	S	5/2001	Fuquen	
D444,949	S *	7/2001	Whittaker .....	D3/308
D448,661	S	10/2001	Kerr et al.	
6,357,631	B1	3/2002	Zaksenberg	
6,419,118	B1	7/2002	Rees et al.	
D461,713	S *	8/2002	Foreman .....	D9/434

6,435,374	B1	8/2002	Tabaroni	
6,460,781	B1	10/2002	Garcia et al.	
6,557,731	B1	5/2003	Lyon et al.	
6,601,737	B1	8/2003	Sandler	
6,615,985	B1 *	9/2003	Foreman .....	206/485
6,648,140	B2	11/2003	Petricca	
6,663,019	B2	12/2003	Garcia et al.	
D484,972	S	1/2004	Steele, IV et al.	
6,702,462	B2	3/2004	Richardson	
D497,309	S *	10/2004	Nordland et al. ....	D9/415
6,811,057	B2	11/2004	Duquet et al.	
6,854,888	B1	2/2005	Brown et al.	
6,863,178	B2	3/2005	Sokolsky et al.	
D505,861	S	6/2005	Risgalla	
6,955,028	B1	10/2005	Dunaway	
7,004,322	B1	2/2006	Bartoli	
D537,341	S	2/2007	Liebe et al.	
RE39,520	E	3/2007	Hess, III et al.	
7,185,758	B2 *	3/2007	Cuomo .....	206/162
7,328,814	B2 *	2/2008	Nordland et al. ....	220/756
D567,670	S *	4/2008	Say Ulin .....	D9/753
D576,482	S *	9/2008	DeBusk .....	D9/416
D580,782	S	11/2008	Murray	
7,506,762	B2	3/2009	Nelson et al.	
D598,299	S	8/2009	Isogai et al.	
7,635,061	B2 *	12/2009	Cuomo .....	206/162
2001/0045374	A1	11/2001	Selker	
2002/0100760	A1	8/2002	Rinks	
2002/0148855	A1	10/2002	Sokolsky et al.	
2003/0015605	A1	1/2003	Garcia et al.	
2003/0183637	A1	10/2003	Zappa et al.	
2006/0278562	A1	12/2006	Van Puijenbroek	
2007/0034647	A1	2/2007	Patrick	
2007/0164045	A1	7/2007	Wydler et al.	
2007/0228073	A1	10/2007	Mazzarino	
2010/0008602	A1	1/2010	Risgalla	

## FOREIGN PATENT DOCUMENTS

WO	WO9728054	8/1997
WO	WO020703652	9/2002
WO	WO2004063048	7/2004
WO	WO2007126817	11/2007

\* cited by examiner

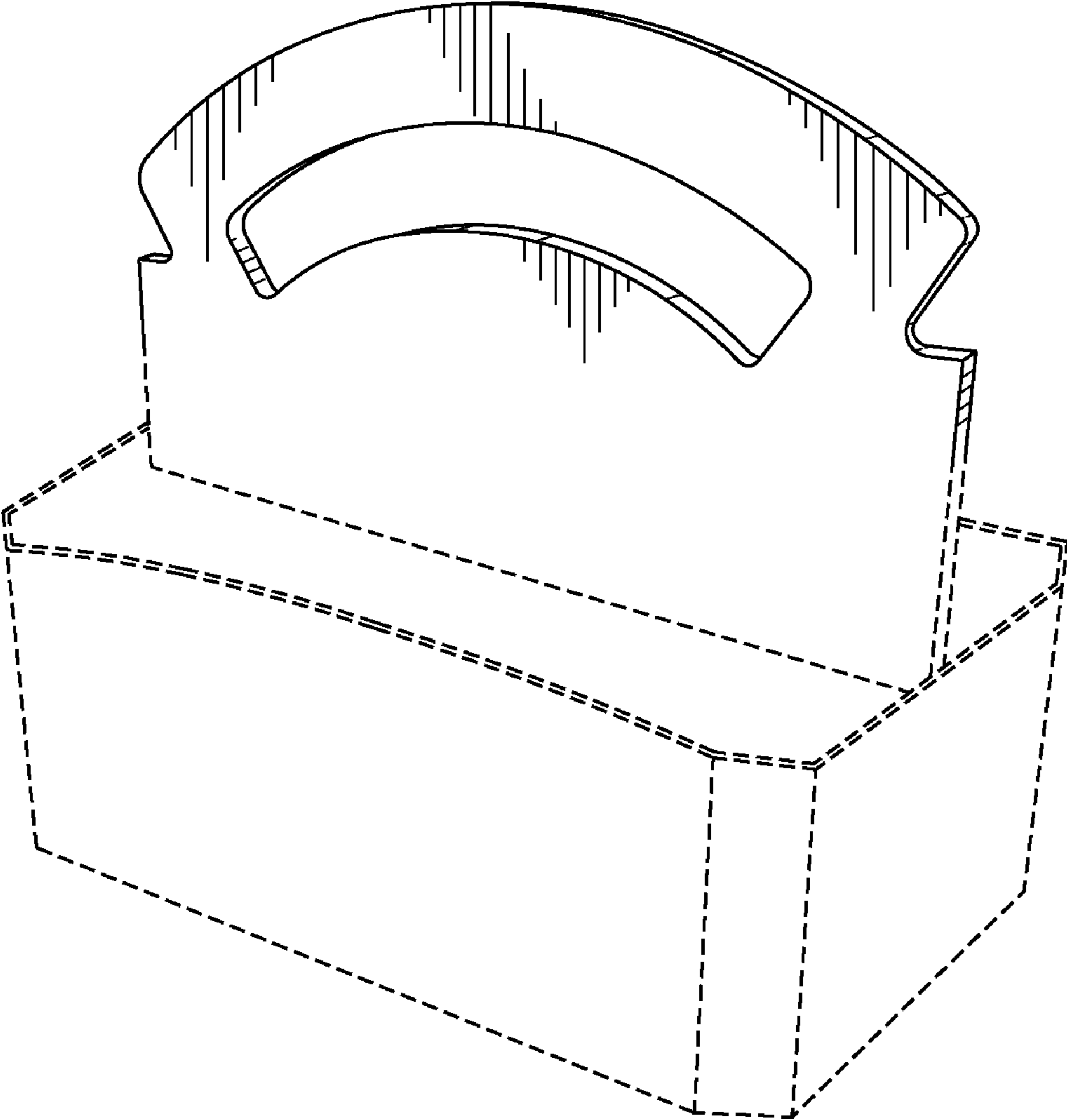


FIG. 1

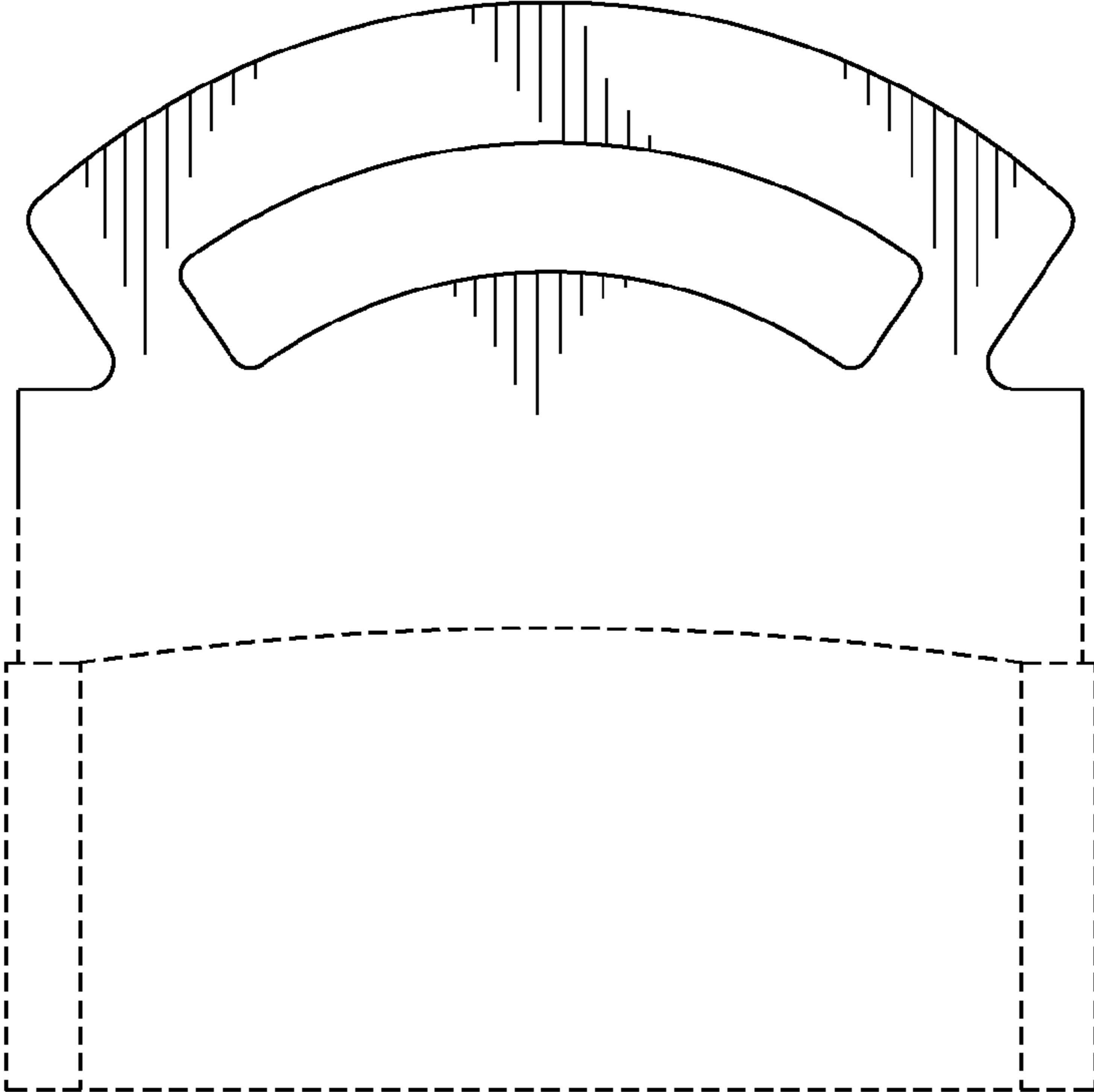


FIG. 2

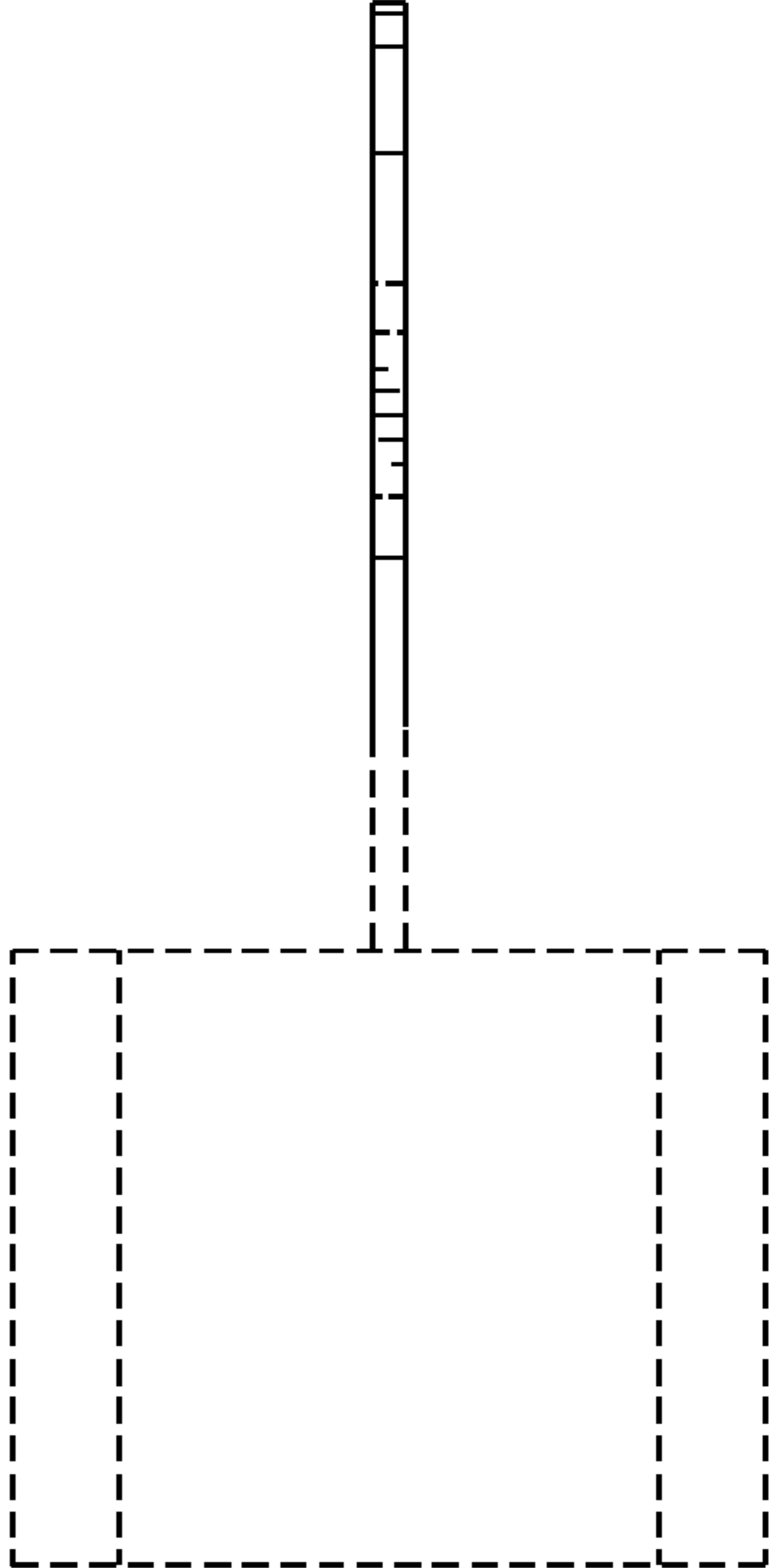


FIG. 3

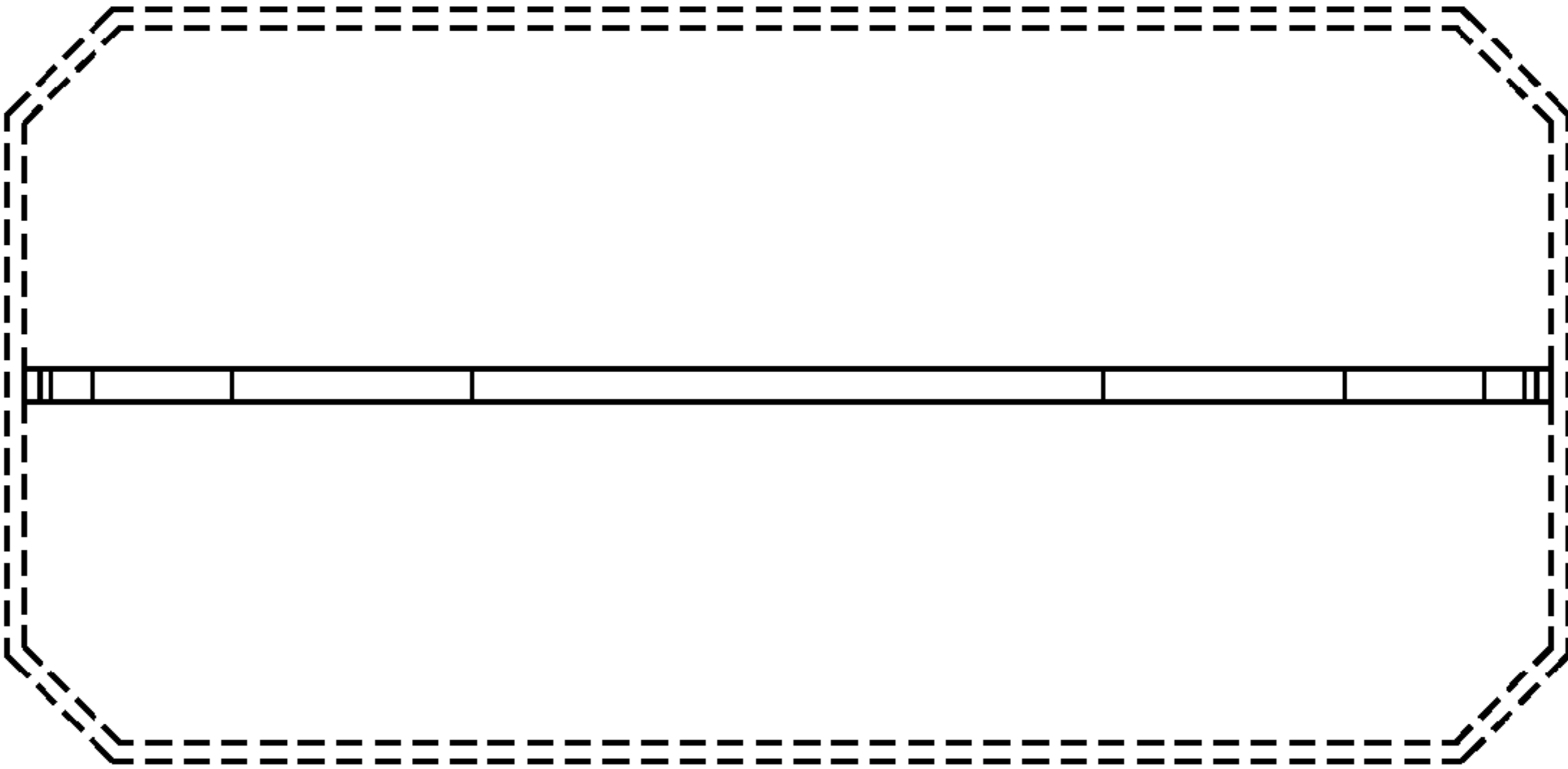


FIG. 4