



US00D636217S

(12) **United States Design Patent**
Slater et al.

(10) **Patent No.:** **US D636,217 S**
(45) **Date of Patent:** **** Apr. 19, 2011**

(54) **SMOKER**

(75) Inventors: **Owen Alan Slater**, Plano, TX (US);
Randall L. May, Plano, TX (US)

(73) Assignee: **The Brinkmann Corporation**, Dallas,
TX (US)

(**) Term: **14 Years**

(21) Appl. No.: **29/349,925**

(22) Filed: **May 20, 2010**

(51) **LOC (9) Cl.** **07-02**

(52) **U.S. Cl.** **D7/334**

(58) **Field of Classification Search** D7/332-337,
D7/402-404; 126/25 R, 25 A, 25 B, 41 R,
126/39-30, 9 R, 8, 38, 4, 268, 276, 40, 50,
126/506; 99/481-482, 448

See application file for complete search history.

(56) **References Cited**

U.S. PATENT DOCUMENTS

D165,998 S *	2/1952	Pollard	D7/334
2,666,426 A *	1/1954	Pollard	126/25 R
D196,553 S *	10/1963	Mayer	D7/334
D208,681 S *	9/1967	Koziol	D7/335
D229,660 S *	12/1973	Gammon	D7/332
D252,788 S *	9/1979	Talbert	D7/334
D352,864 S *	11/1994	Parker	D7/334
D447,913 S *	9/2001	Cragg	D7/402
D450,215 S	11/2001	Wood et al.		
D450,216 S	11/2001	Wood et al.		
D476,188 S	6/2003	Wood		
D483,602 S *	12/2003	Murray	D7/334
D491,410 S *	6/2004	Saunders	D7/334
D536,918 S	2/2007	Wood		
D552,406 S *	10/2007	Chung	D7/334
D560,415 S	1/2008	Wood et al.		
D560,416 S	1/2008	Sedberry et al.		
D560,417 S	1/2008	Ho et al.		

D560,418 S	1/2008	Chau et al.		
D560,419 S	1/2008	Lockhart et al.		
D563,150 S	3/2008	Chau et al.		
D581,199 S	11/2008	Chau		
D584,562 S	1/2009	Chau et al.		
D586,609 S	2/2009	Chau		
D607,263 S *	1/2010	Antwine	D7/334

OTHER PUBLICATIONS

The Brinkmann Corporation 2007/2008 Product Catalog, pp. 10-11,
14-19 and 21-28, various smokers and grills (17 total pgs.).

Owner's Manual for Brinkmann Professional Single Zone Charcoal
Grill, dated Nov. 16, 2007.

Owner's Manual for Brinkmann Professional Dual Zone Charcoal/
Gas Grill, dated Jan. 16, 2008.

Owner's Manual for Brinkmann Barrel Smoker, dated Jan. 8, 2010.

* cited by examiner

Primary Examiner — Ruth McInroy

(74) *Attorney, Agent, or Firm* — Sheppard, Mullin, Richter
& Hampton LLP

(57) **CLAIM**

We claim the ornamental design for a smoker, as shown and
described.

DESCRIPTION

FIG. 1 is a perspective view of a smoker showing the new
design;

FIG. 2 is a front elevational view;

FIG. 3 is a rear elevational view;

FIG. 4 is a right side elevational view thereof;

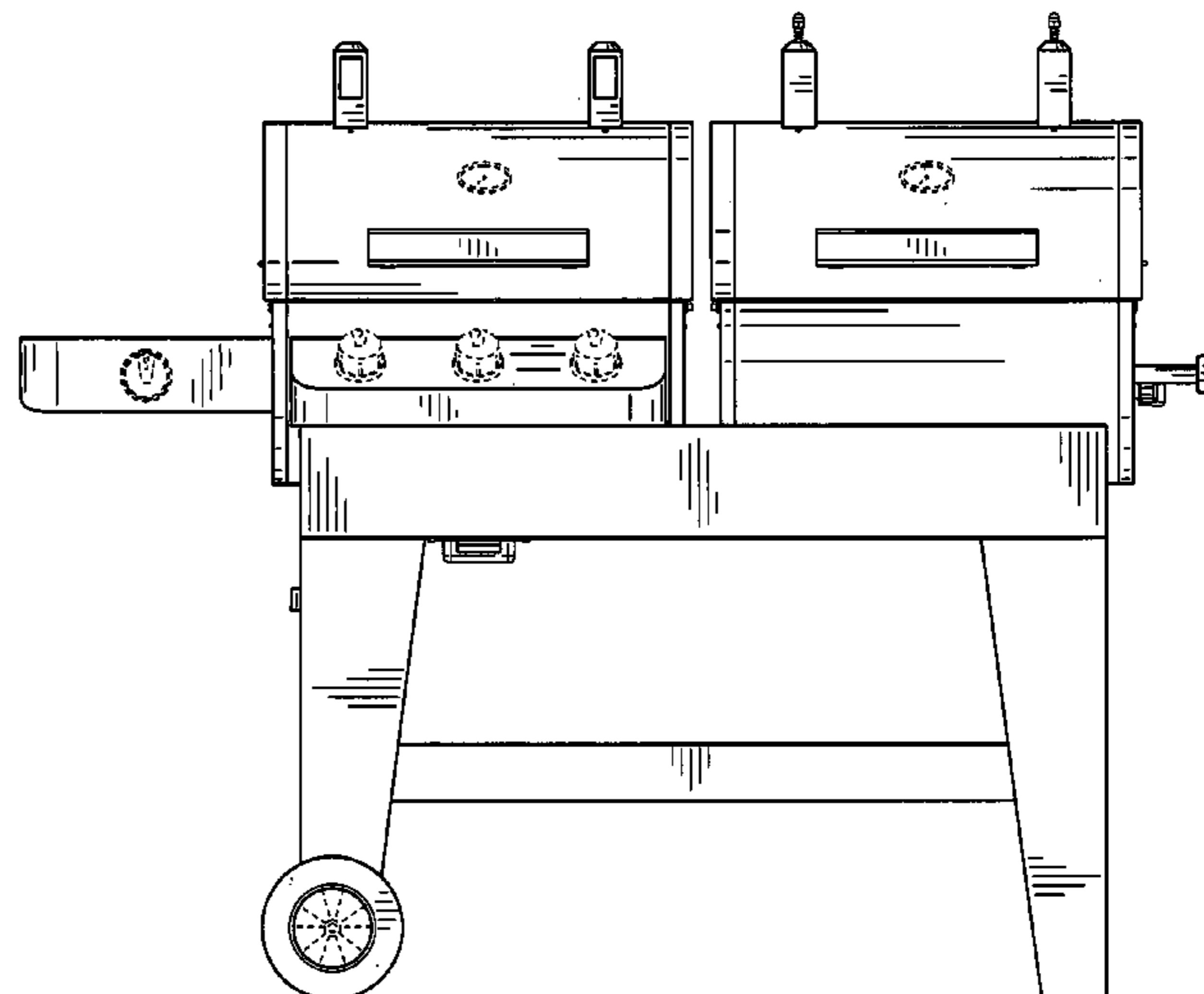
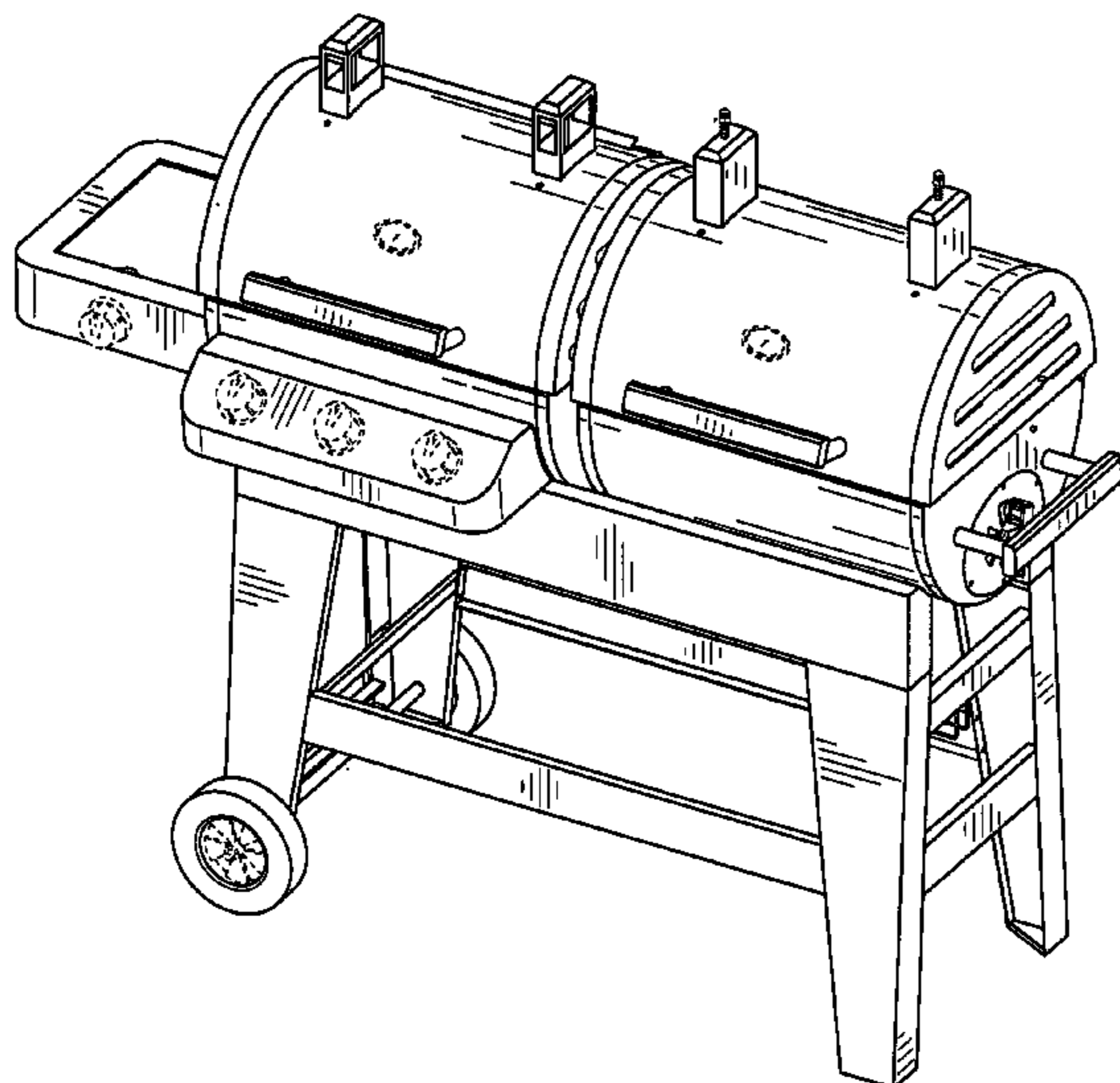
FIG. 5 is a left side elevational view thereof;

FIG. 6 is a top plan view thereof; and,

FIG. 7 is a bottom plan view thereof.

The dotted lines are for illustrative purposes only and form no
part of the claimed design.

1 Claim, 6 Drawing Sheets



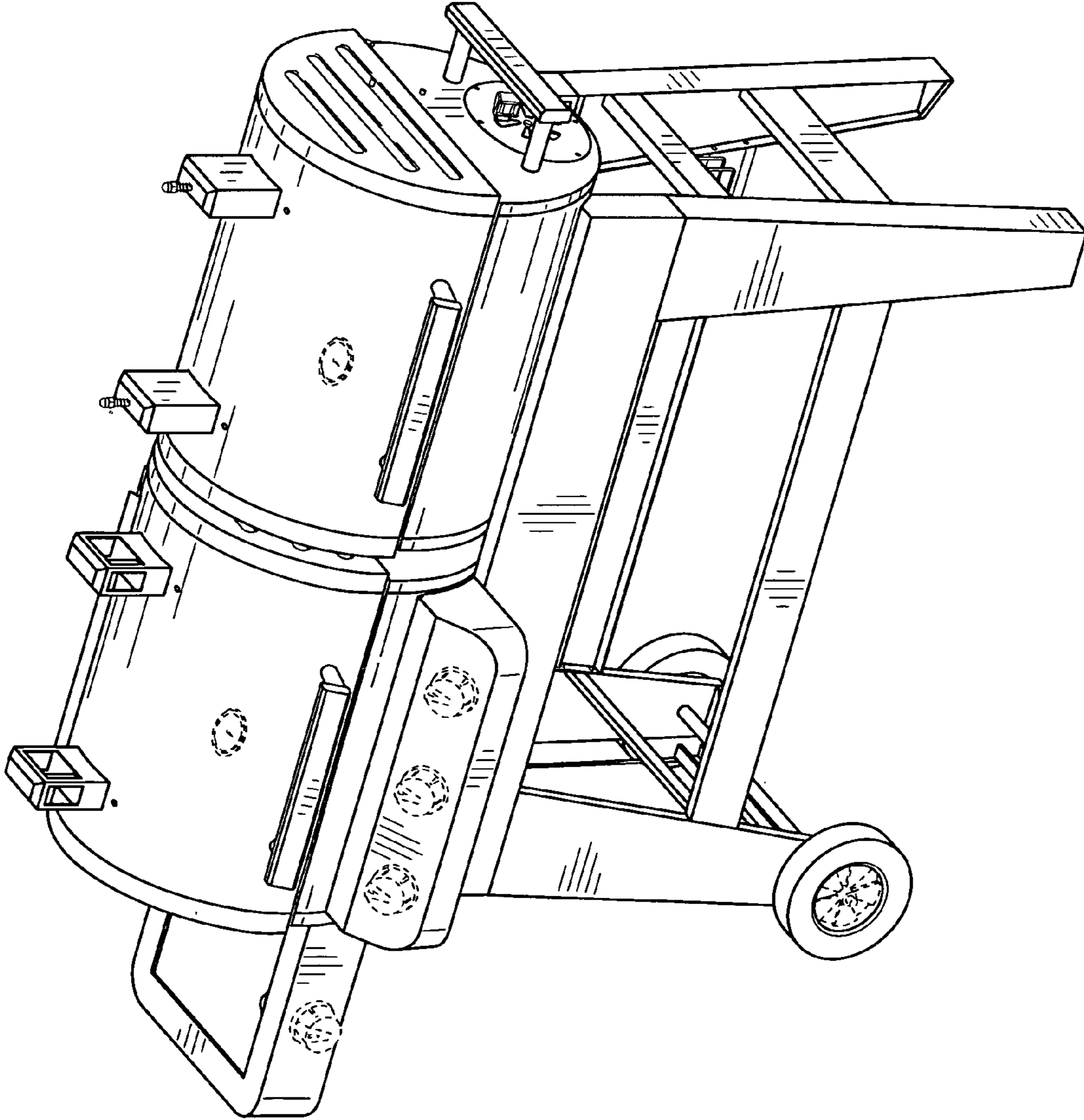


FIG. 1

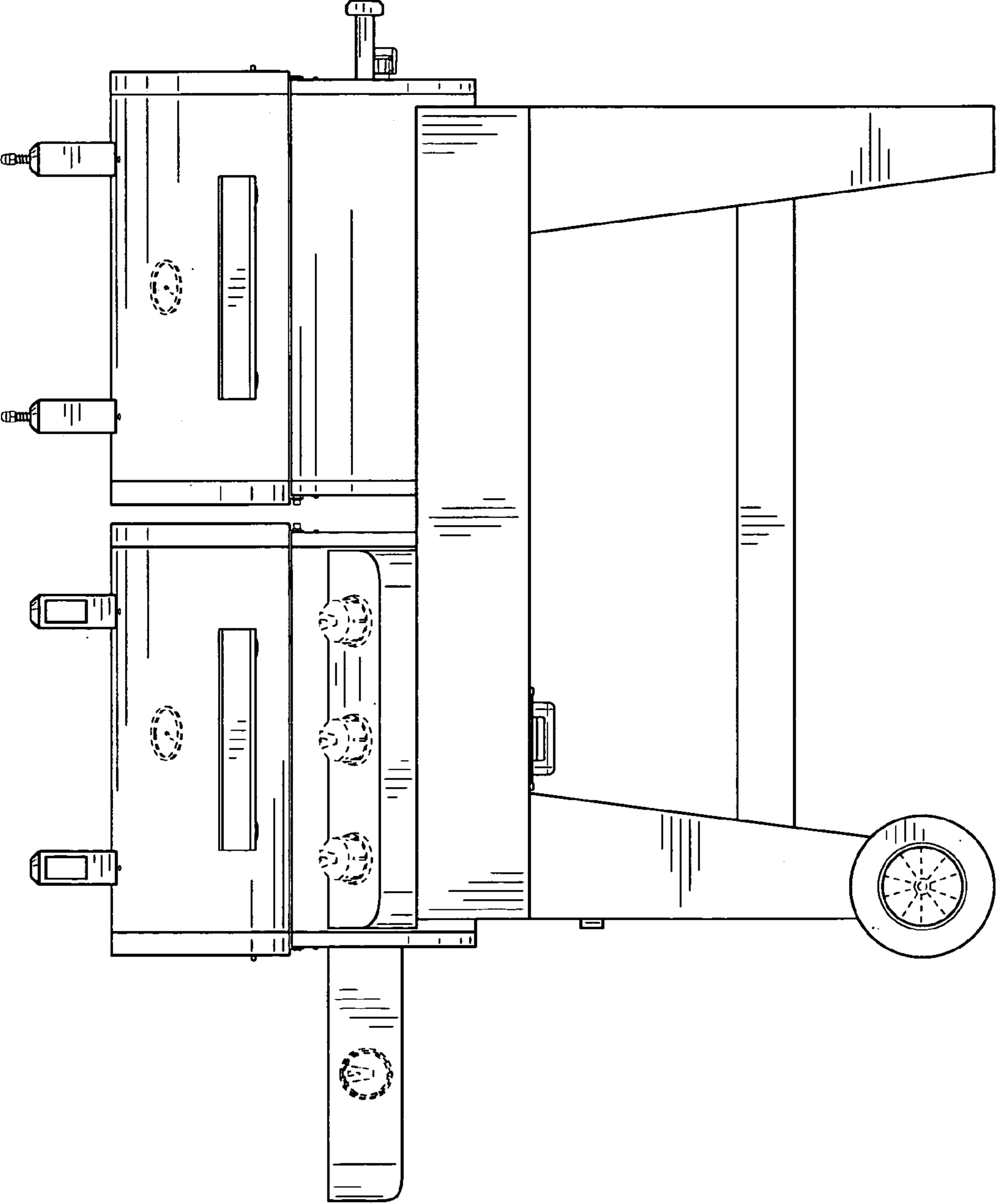


FIG. 2

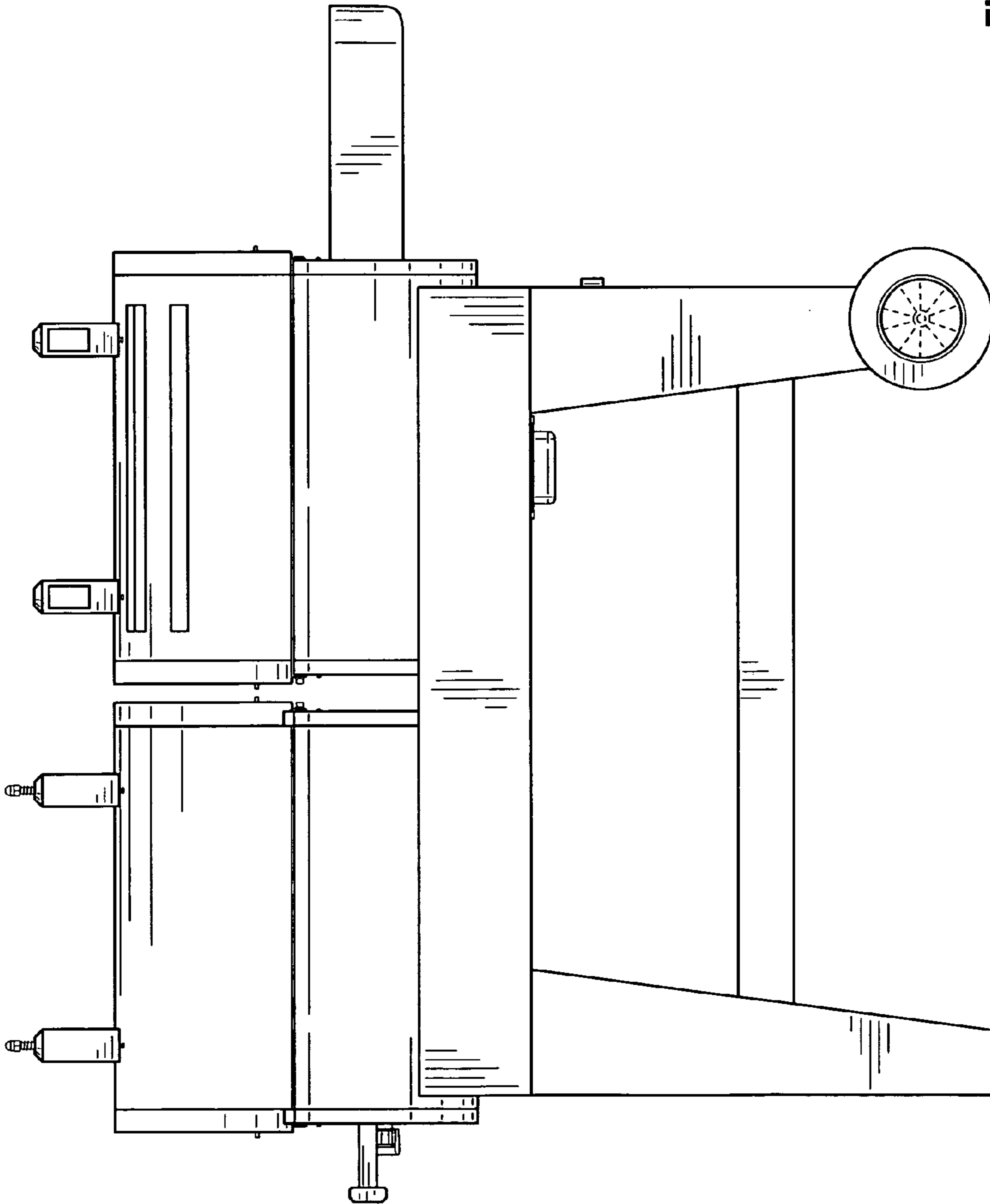


FIG. 3

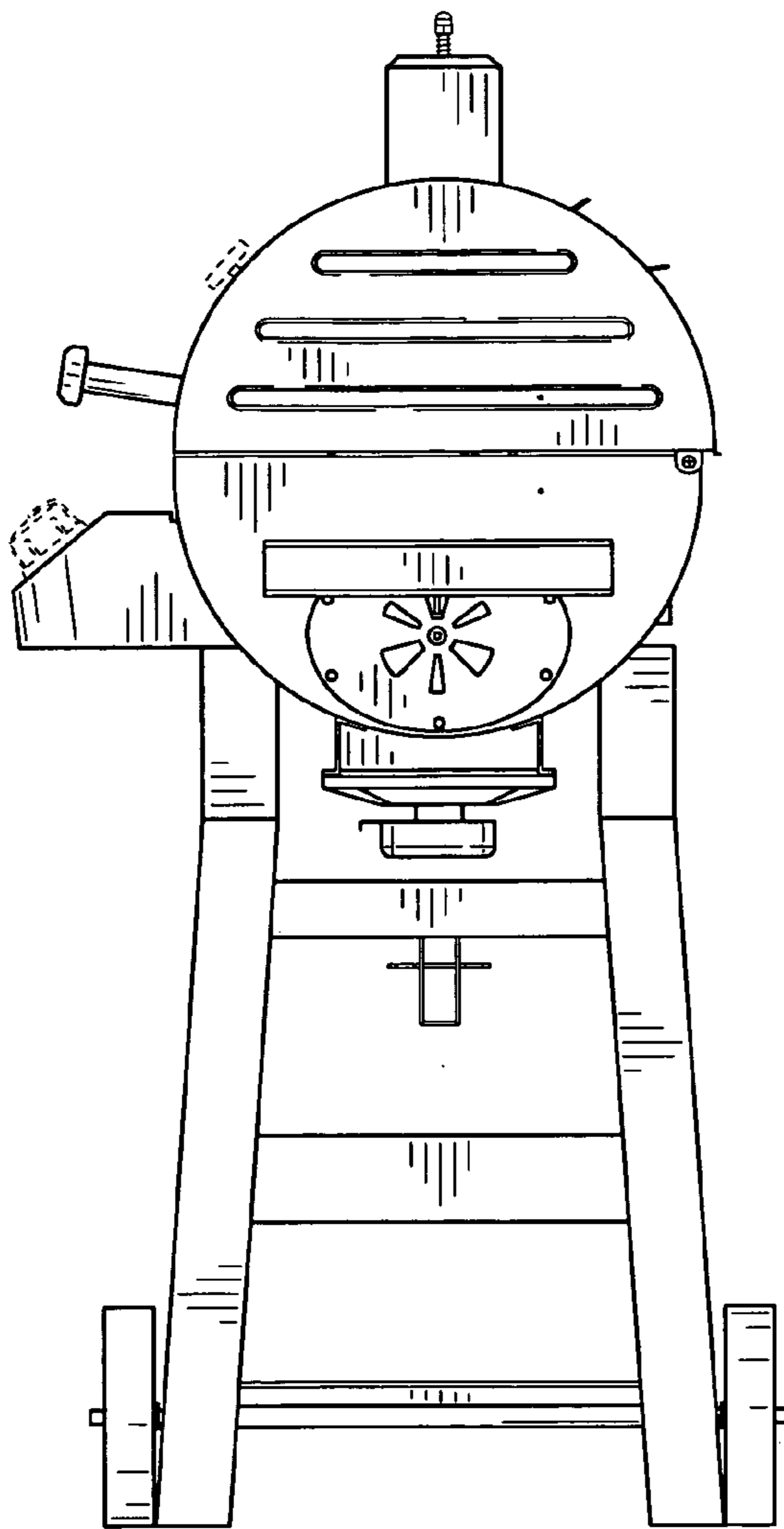


FIG. 4

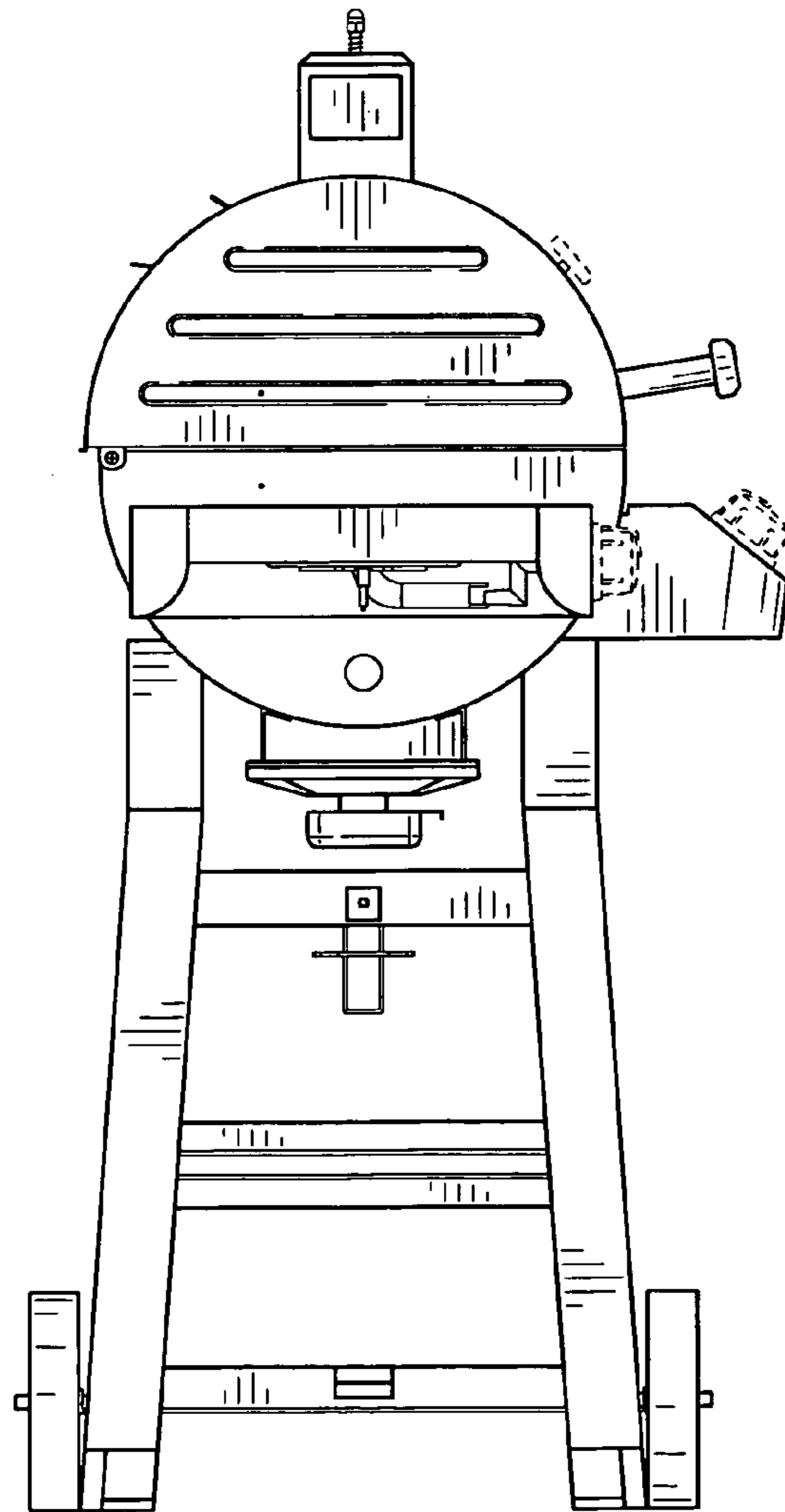


FIG. 5

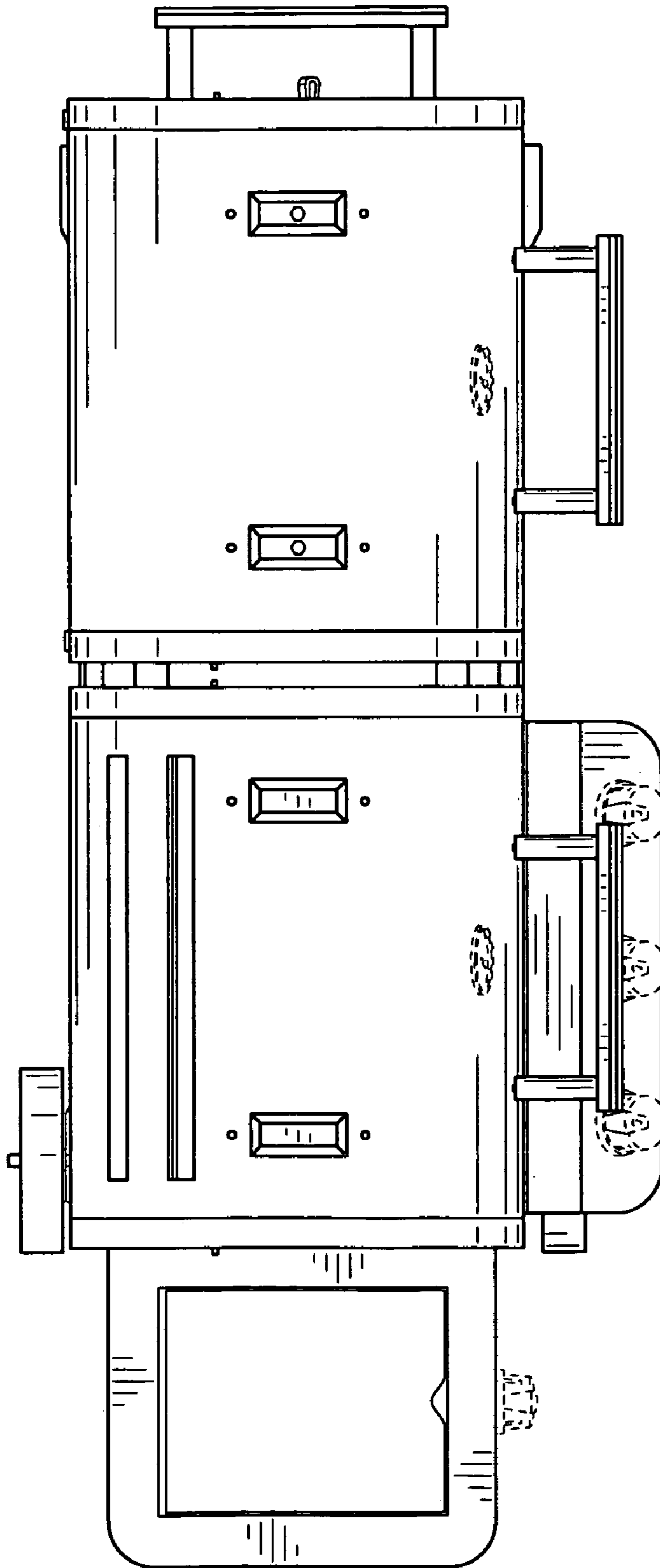


FIG. 6

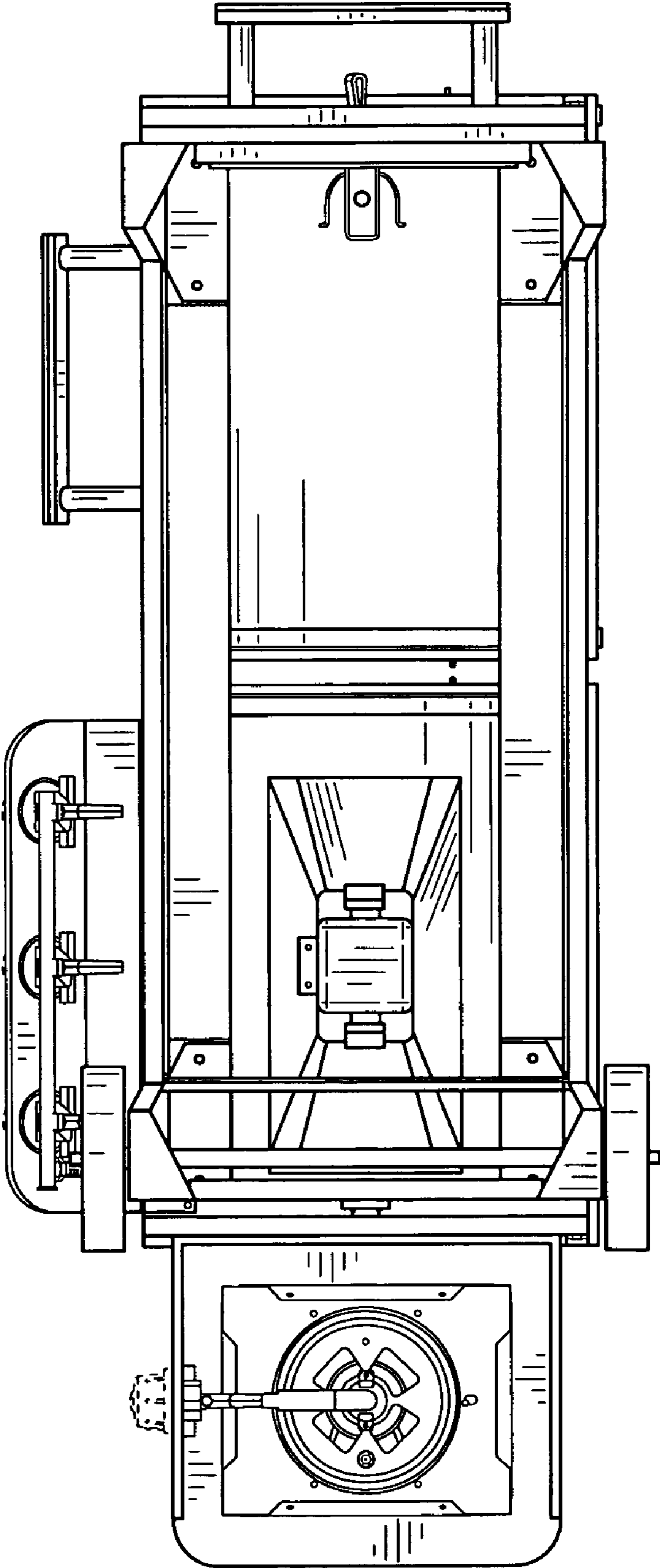


FIG. 7