



US00D636216S

(12) **United States Design Patent**
Marsh

(10) **Patent No.:** **US D636,216 S**

(45) **Date of Patent:** **** *Apr. 19, 2011**

(54) **PORTABLE COOKING DEVICE**

(76) Inventor: **Brian E. Marsh**, Lancaster, CA (US)

(*) Notice: This patent is subject to a terminal disclaimer.

(**) Term: **14 Years**

(21) Appl. No.: **29/332,289**

(22) Filed: **Feb. 12, 2009**

(51) **LOC (9) Cl.** **07-02**

(52) **U.S. Cl.** **D7/332**

(58) **Field of Classification Search** D7/332,
D7/334-336, 402-404, 408; 126/25 R, 25 A,
126/25 AA, 41 R, 29-30, 9 R, 9 B, 38, 37 R,
126/40, 50; 99/449

See application file for complete search history.

(56) **References Cited**

U.S. PATENT DOCUMENTS

1,178,211	A *	4/1916	Brown	126/38
D142,417	S *	9/1945	Jones	D7/332
2,424,665	A *	7/1947	Pope, Sr.	126/9 R
D220,150	S *	3/1971	Roestenberg	D7/332
3,667,446	A *	6/1972	Morton	126/9 R

4,508,096	A *	4/1985	Slattery	126/9 R
4,920,949	A *	5/1990	McDonald	126/25 R
6,681,757	B1 *	1/2004	Rivero	126/9 R
2006/0249139	A1 *	11/2006	Alongi	126/30
2007/0006863	A1 *	1/2007	Barbarich	126/9 R

* cited by examiner

Primary Examiner — Ruth McInroy

(74) *Attorney, Agent, or Firm* — Mark R. Malek, Esq.; Zies Widerman & Malek

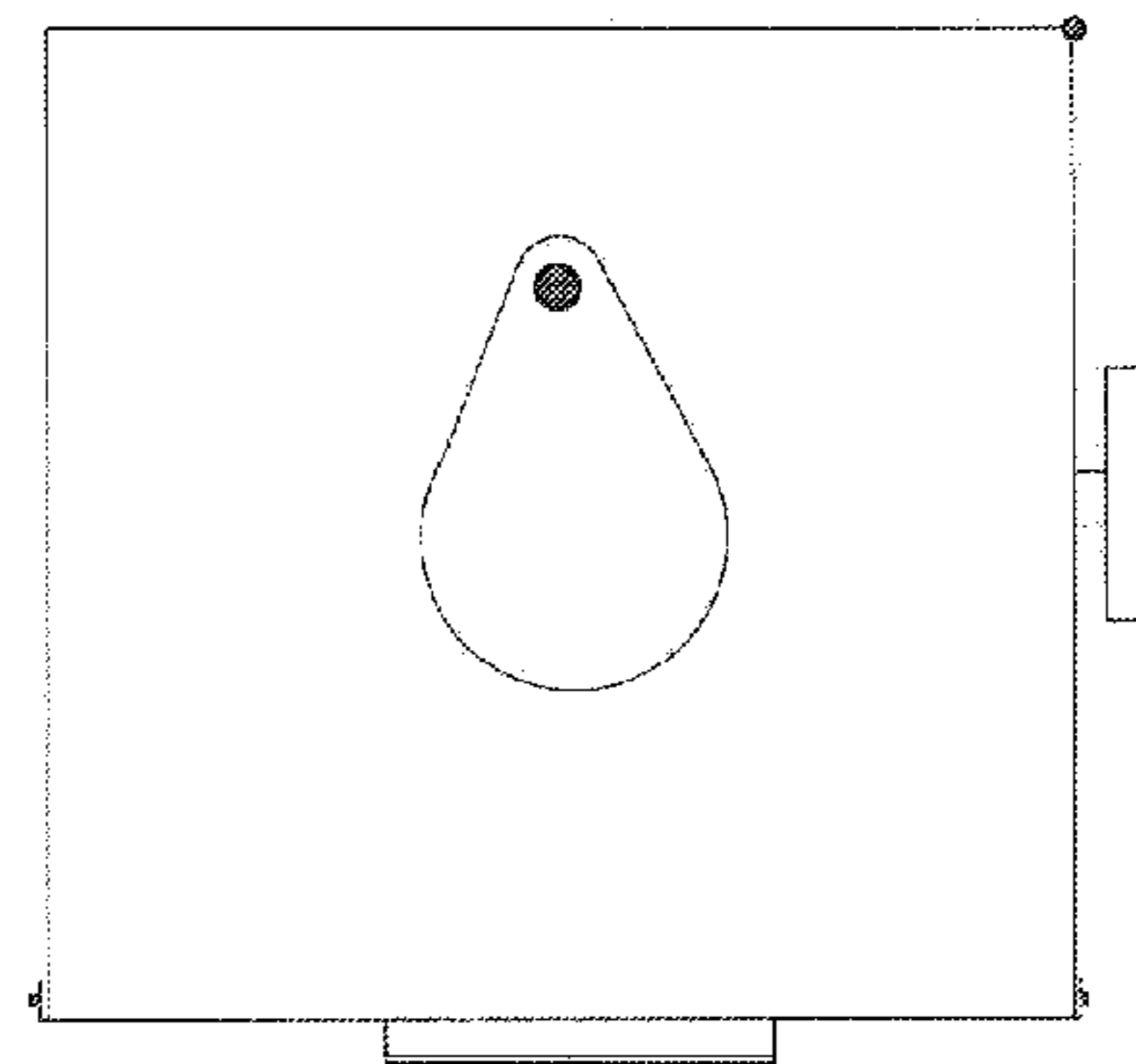
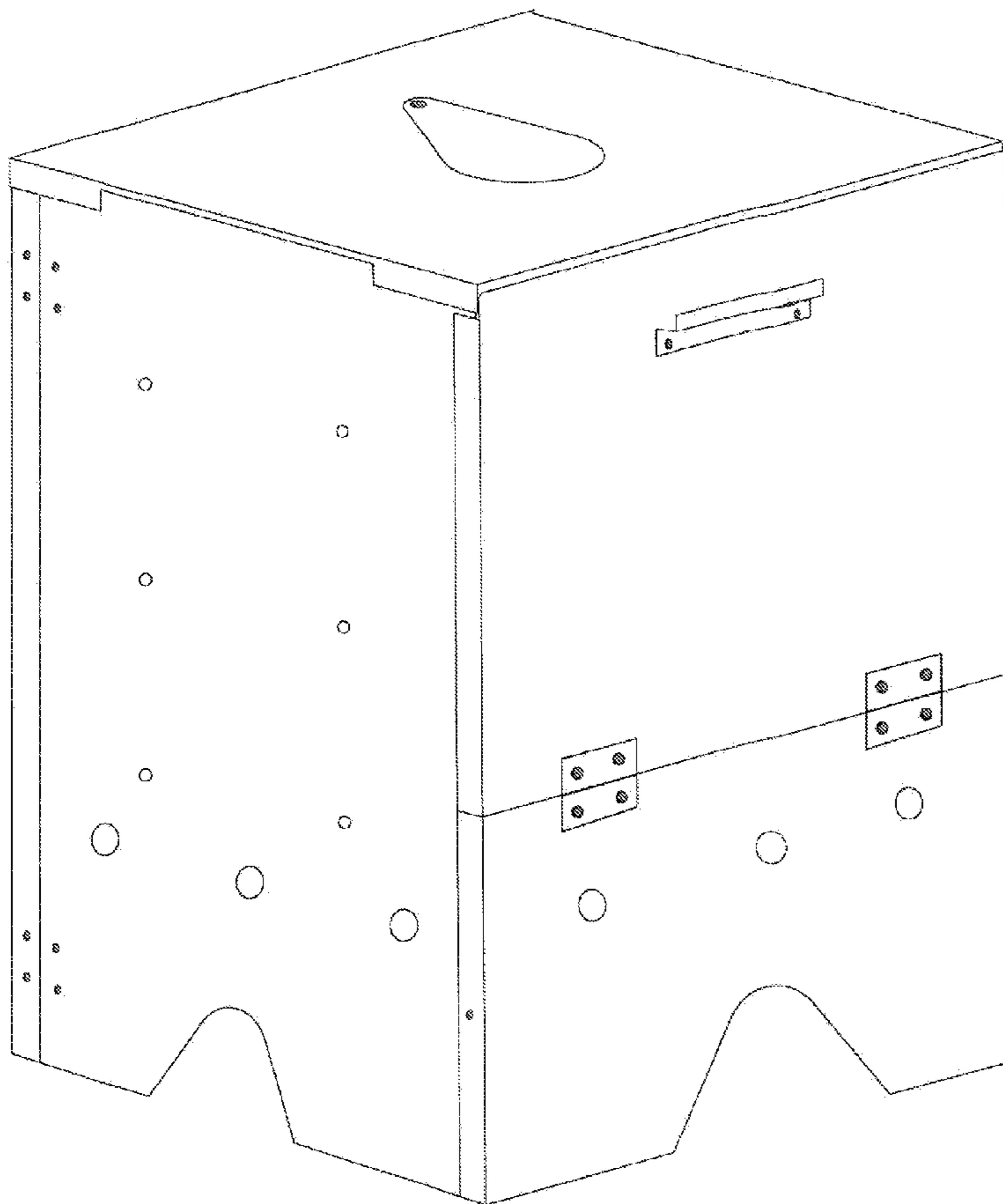
(57) **CLAIM**

The ornamental design for a portable cooking device, as shown and described.

DESCRIPTION

FIG. 1 is a rear and left side perspective view of a portable cooking device showing my new design;
FIG. 2 is a front and left side perspective view thereof;
FIG. 3 is a rear and right side perspective view thereof;
FIG. 4 is a bottom plan view thereof;
FIG. 5 is a top plan view thereof;
FIG. 6 is a left side elevation view thereof;
FIG. 7 is a front elevation view thereof;
FIG. 8 is a right side elevation view thereof; and,
FIG. 9 is a rear elevation view thereof.

1 Claim, 5 Drawing Sheets



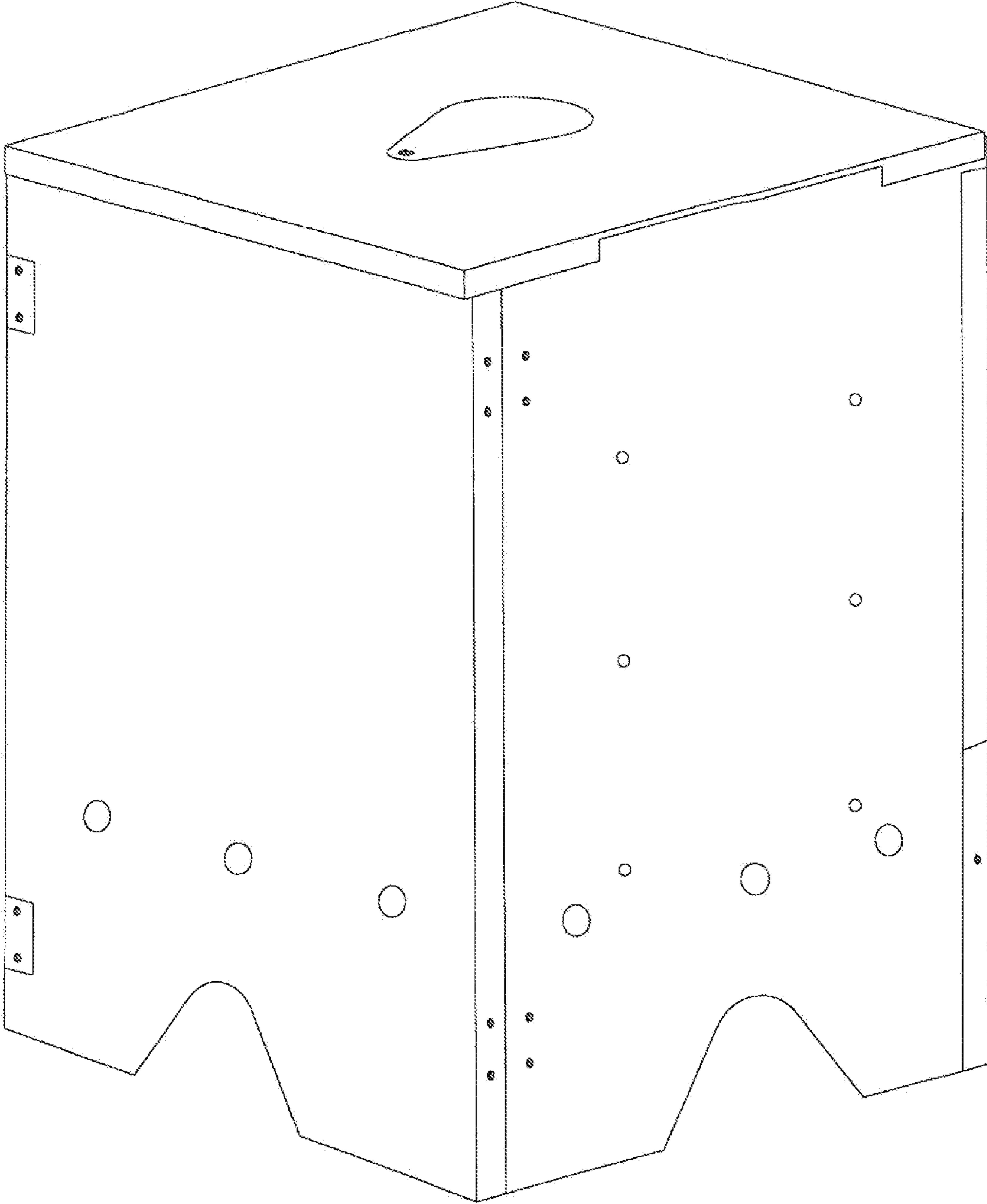


Fig. 1

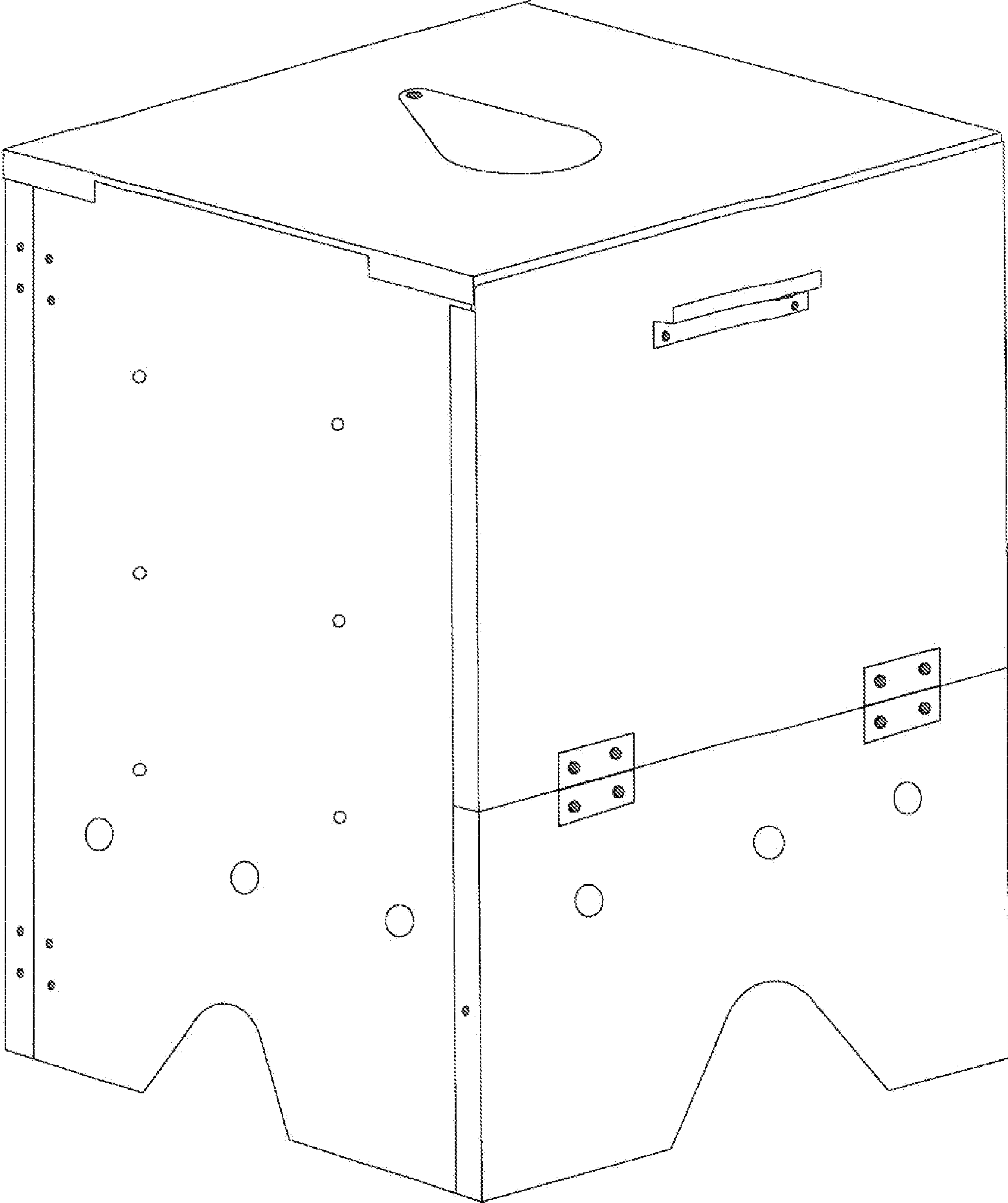


Fig. 2

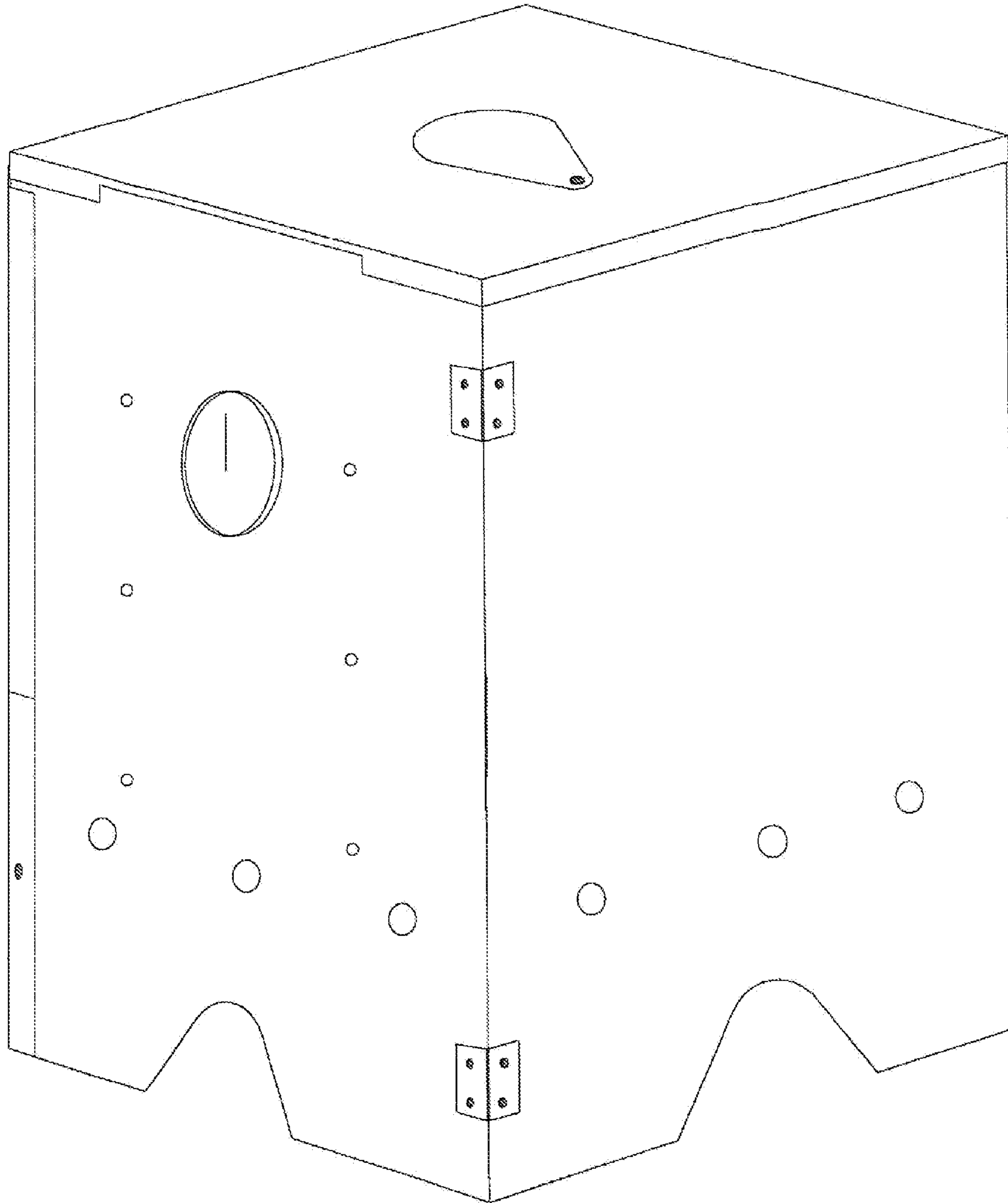


Fig. 3

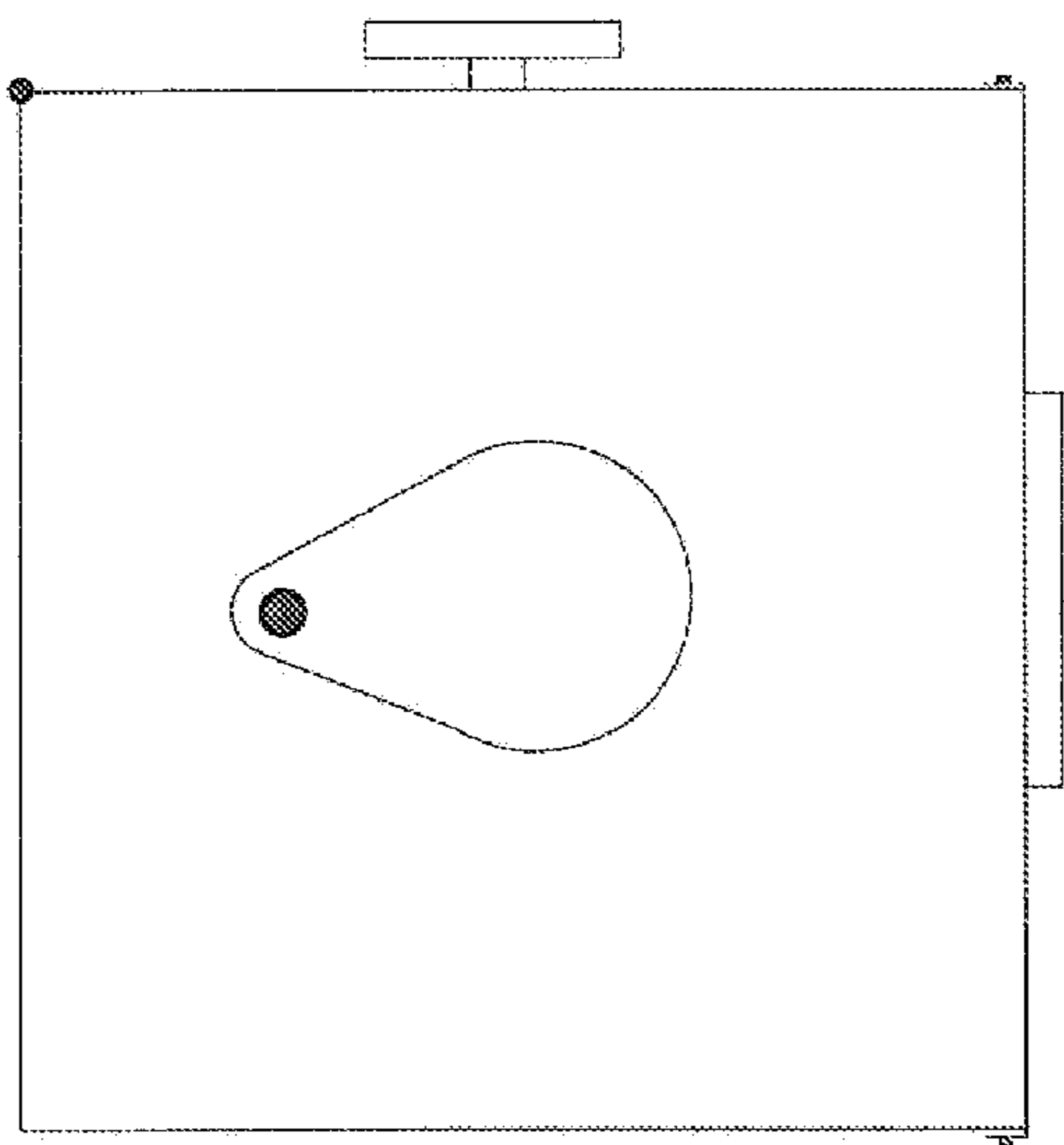


Fig 5

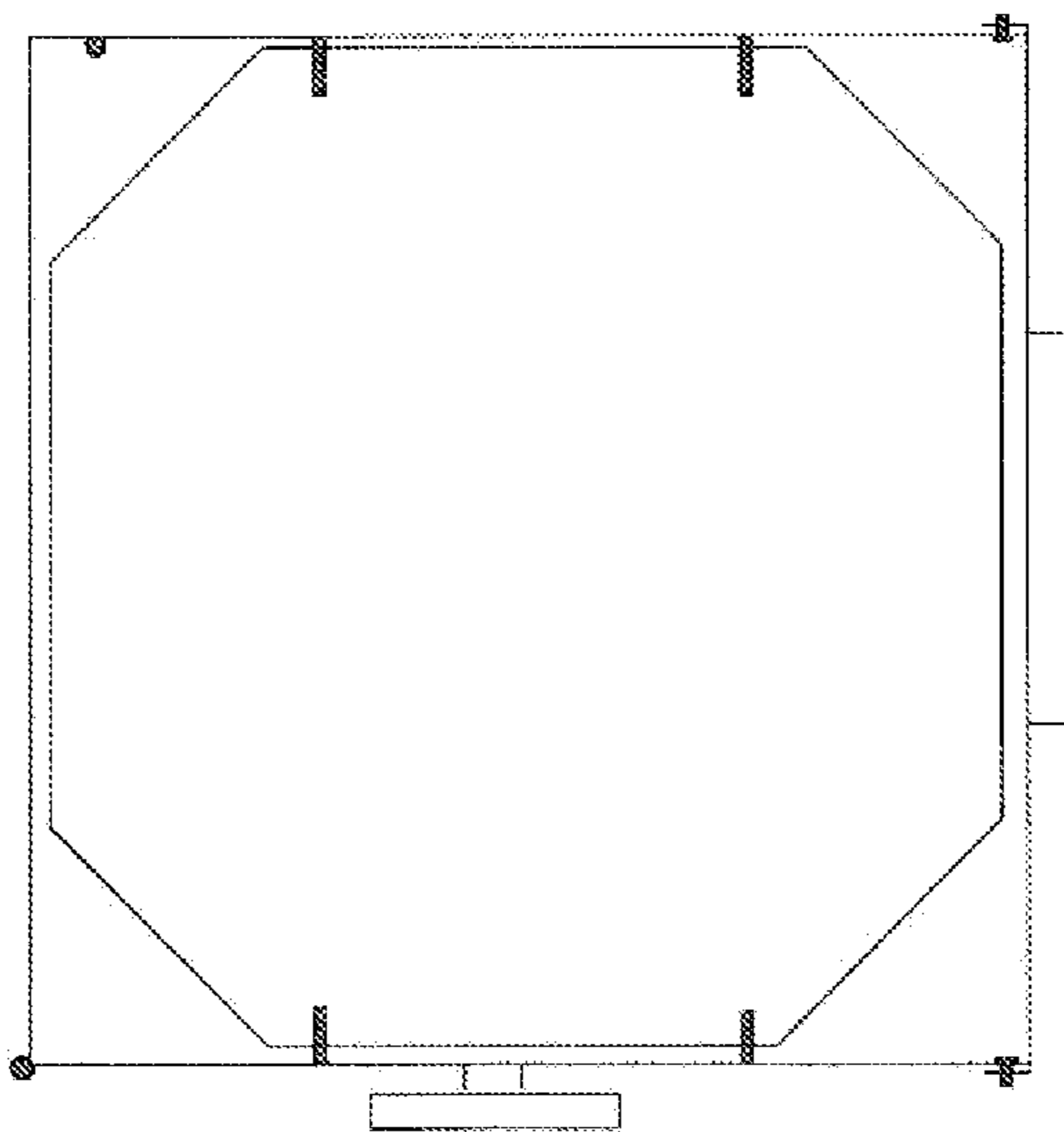


Fig 4

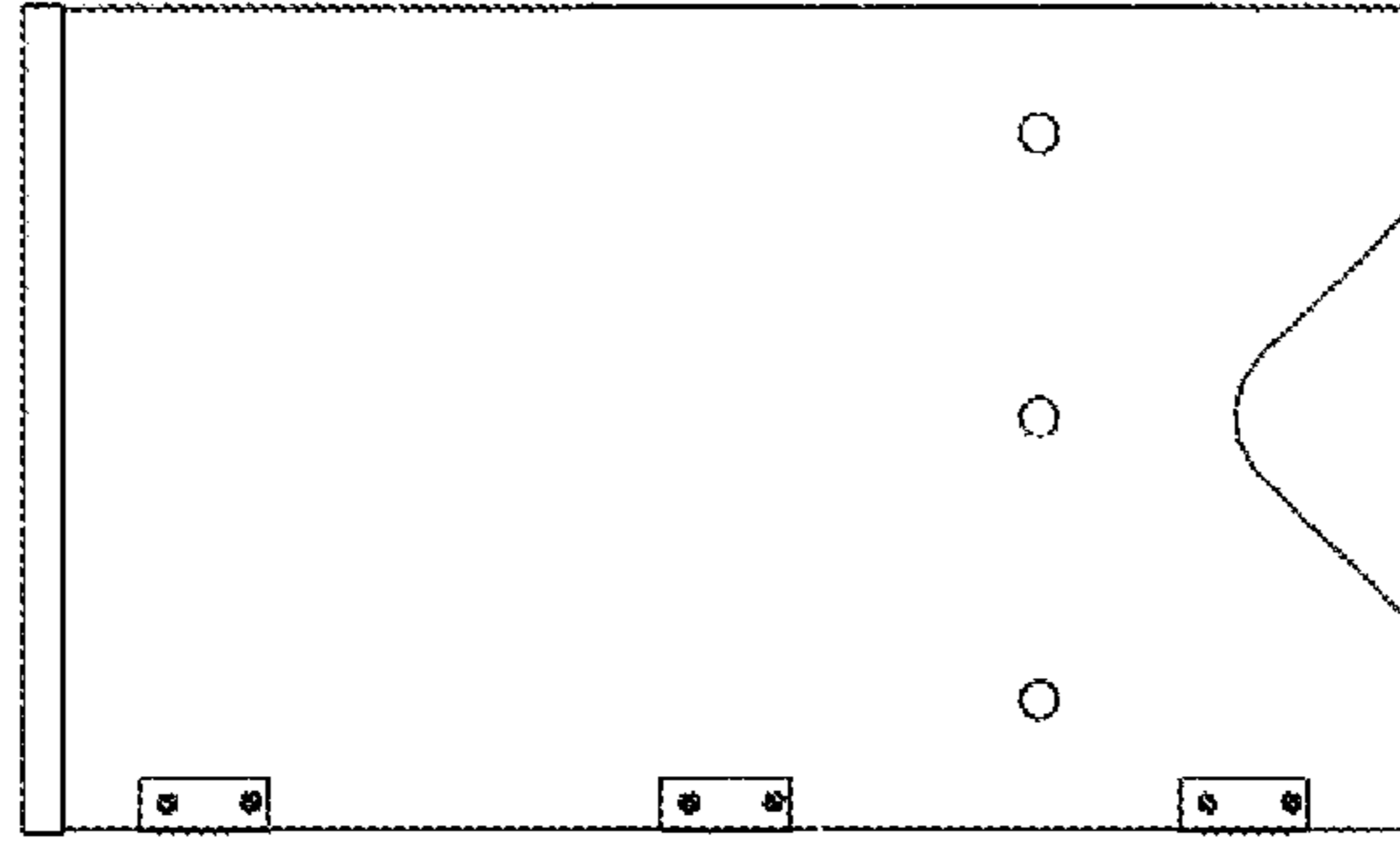


Fig. 9

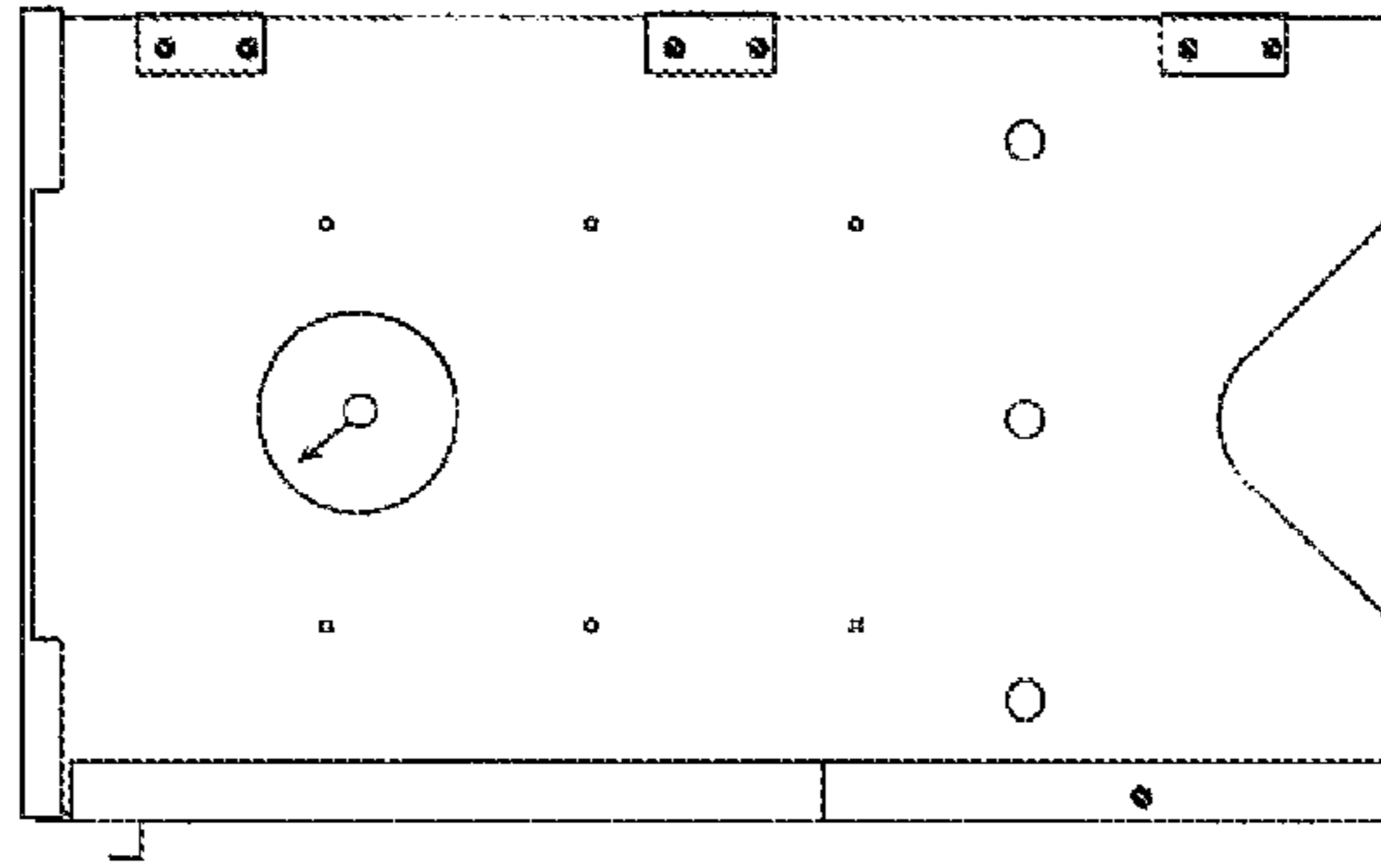


Fig. 8

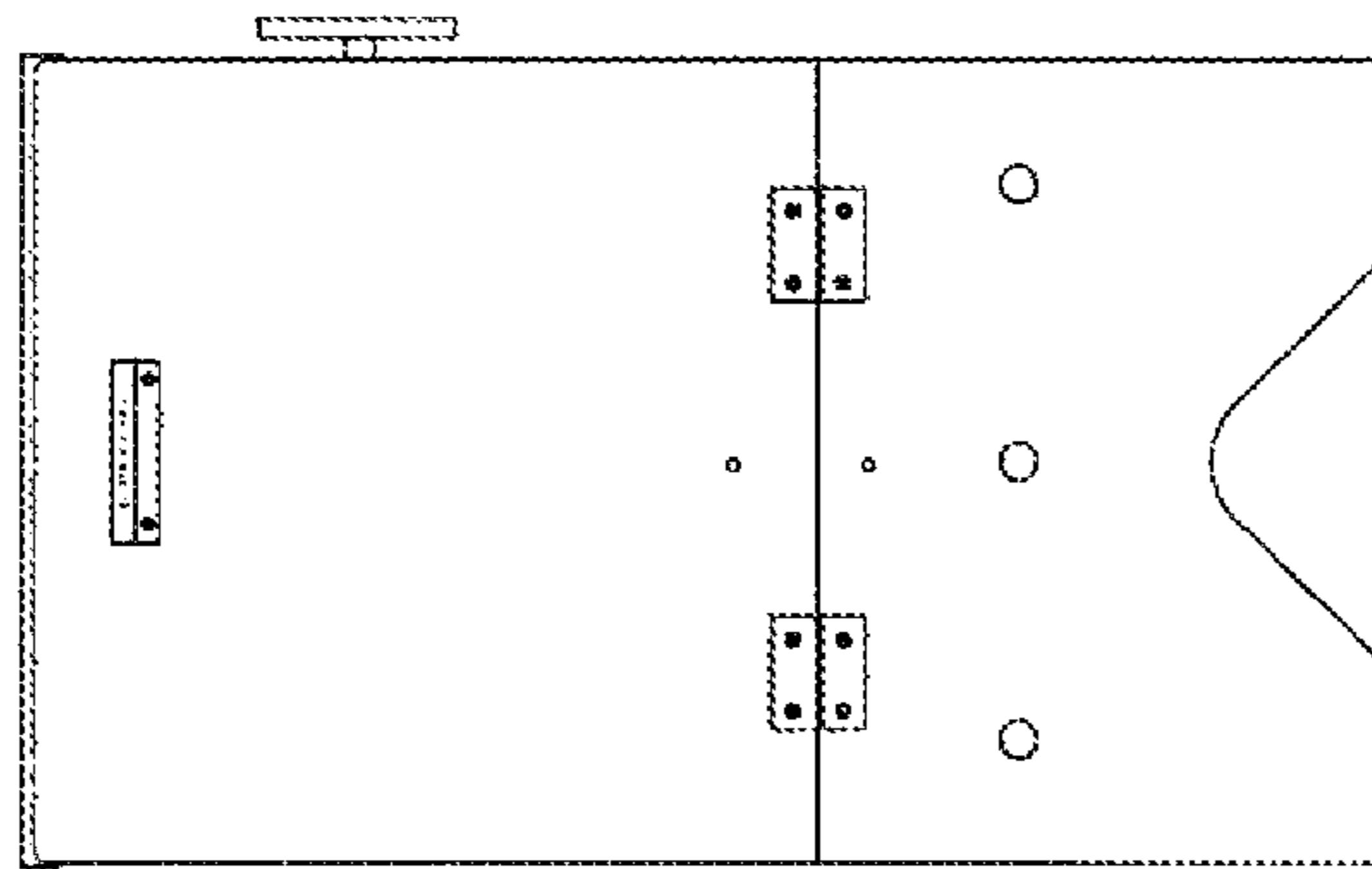


Fig. 7

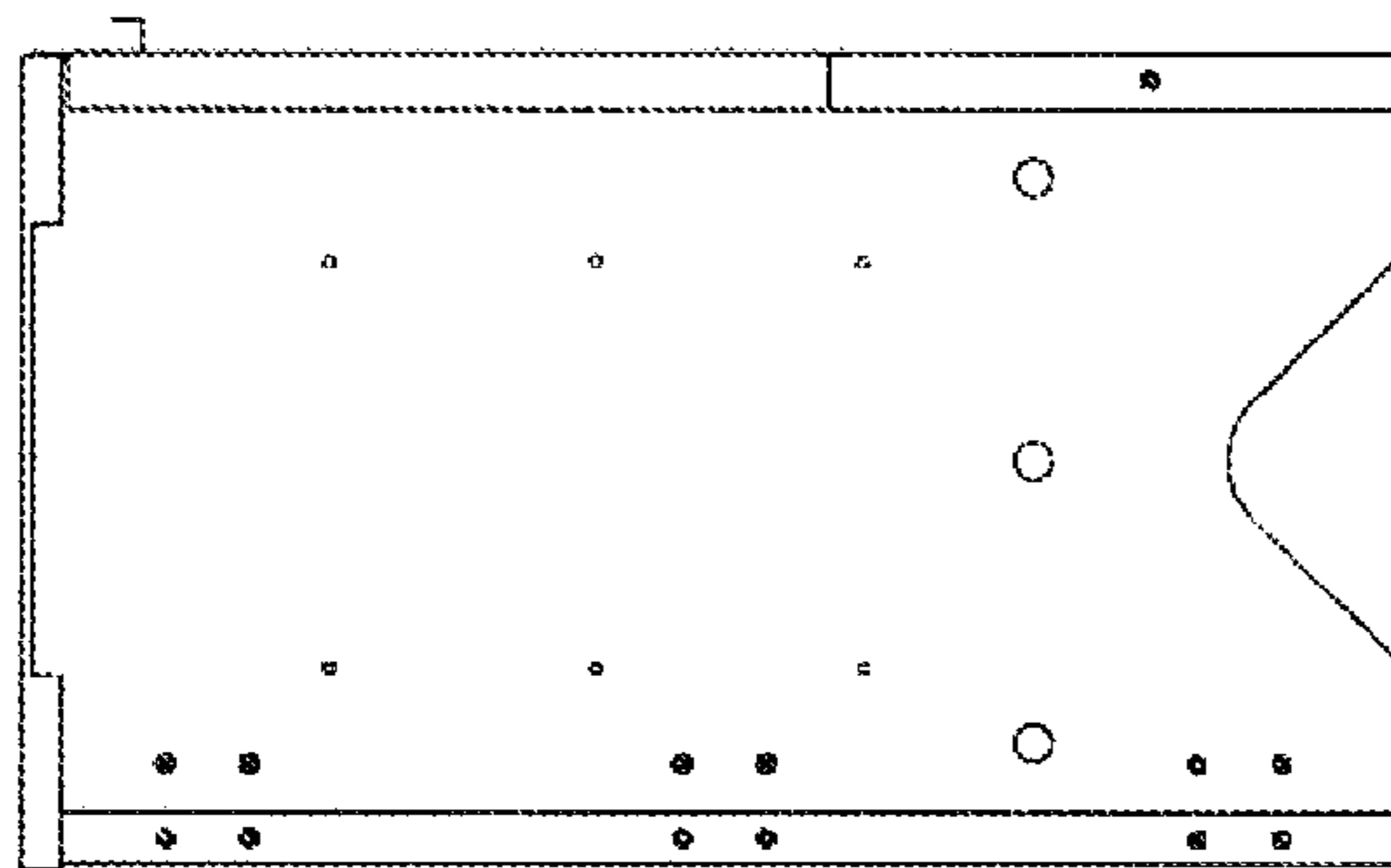


Fig. 6