



US00D636215S

(12) **United States Design Patent**  
**Cloutier et al.**

(10) **Patent No.:** **US D636,215 S**  
(45) **Date of Patent:** **\*\* Apr. 19, 2011**

(54) **POPCORN POPPER**

(75) Inventors: **Andre Dean Cloutier**, Blaine, WA (US);  
**Debra Lynne Sasken-Duff**, Blaine, WA  
(US); **Adriana Phillips**, Bellingham,  
WA (US)

(73) Assignee: **Magellan Group Ltd.**, Blaine, WA (US)

(\*\*) Term: **14 Years**

(21) Appl. No.: **29/381,131**

(22) Filed: **Dec. 15, 2010**

(51) **LOC (9) Cl.** ..... **31-00**

(52) **U.S. Cl.** ..... **D7/325; D7/354; D7/361**

(58) **Field of Classification Search** ..... D7/323,  
D7/325, 354-361, 391-395, 402, 538; D8/107,  
D8/300-307; 99/323.4-323.11, 494, 536,  
99/628; 219/620-621, 626-627; 241/92,  
241/285.2; 366/247-248, 281, 330.1; 426/101-107,  
426/241-243, 445

See application file for complete search history.

(56) **References Cited**

**U.S. PATENT DOCUMENTS**

782,126 A \* 2/1905 Gilmore ..... 366/247  
798,570 A \* 8/1905 Dalby ..... 366/248  
1,444,244 A \* 2/1923 Grossenbacher ..... 366/330.1  
1,475,081 A \* 11/1923 Parks ..... 366/248  
1,517,624 A \* 12/1924 Girard et al. .... 241/285.2

1,617,643 A \* 2/1927 Kriete ..... 366/247  
D148,442 S \* 1/1948 Richeson et al. .... D7/358  
2,441,941 A 5/1948 Shafter  
2,505,967 A 5/1950 Humphrey  
4,202,256 A 5/1980 Brooks  
4,763,567 A 8/1988 Dalquist, III et al.  
5,163,357 A 11/1992 Felknor et al.  
5,735,193 A \* 4/1998 Chang ..... 99/494  
5,778,769 A \* 7/1998 Dodson ..... 99/536  
5,996,483 A \* 12/1999 Yip ..... 99/628  
7,677,792 B2 \* 3/2010 Saunders et al. .... 366/281  
7,744,026 B2 \* 6/2010 Gregory et al. .... 241/92  
2004/0194633 A1 \* 10/2004 Bourne ..... 99/323.5

\* cited by examiner

*Primary Examiner* — Ricky Pham

(74) *Attorney, Agent, or Firm* — Dwayne E. Rogge; Hughes  
Law Firm, PLLC

(57) **CLAIM**

The ornamental design for a popcorn popper, as shown and  
described.

**DESCRIPTION**

FIG. 1 is a top view of a popcorn popper showing our new  
design.

FIG. 2 is a right side view thereof.

FIG. 3 is a left side view thereof.

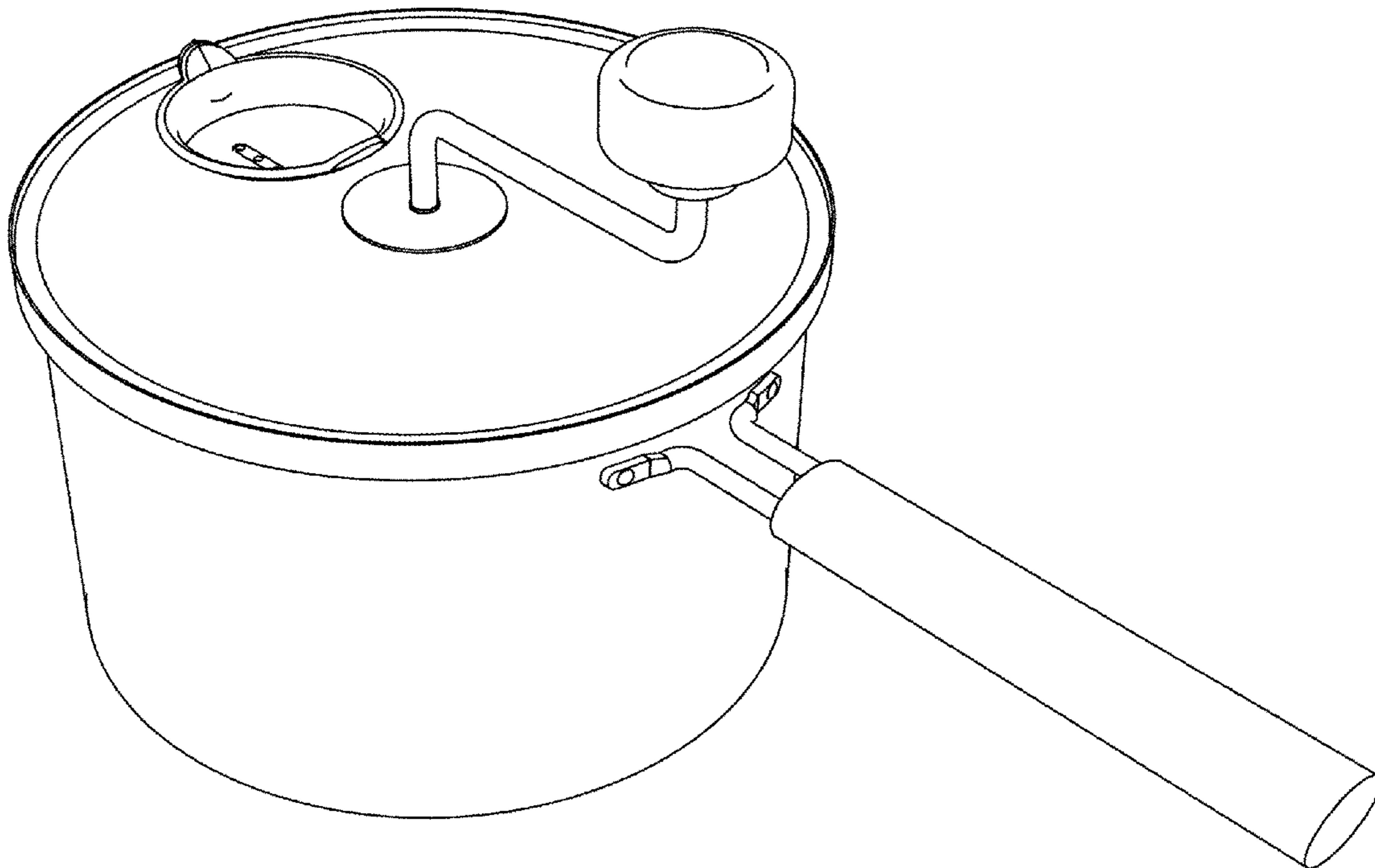
FIG. 4 is a front view thereof.

FIG. 5 is a rear view thereof.

FIG. 6 is a bottom view thereof; and,

FIG. 7 is a perspective view thereof.

**1 Claim, 7 Drawing Sheets**



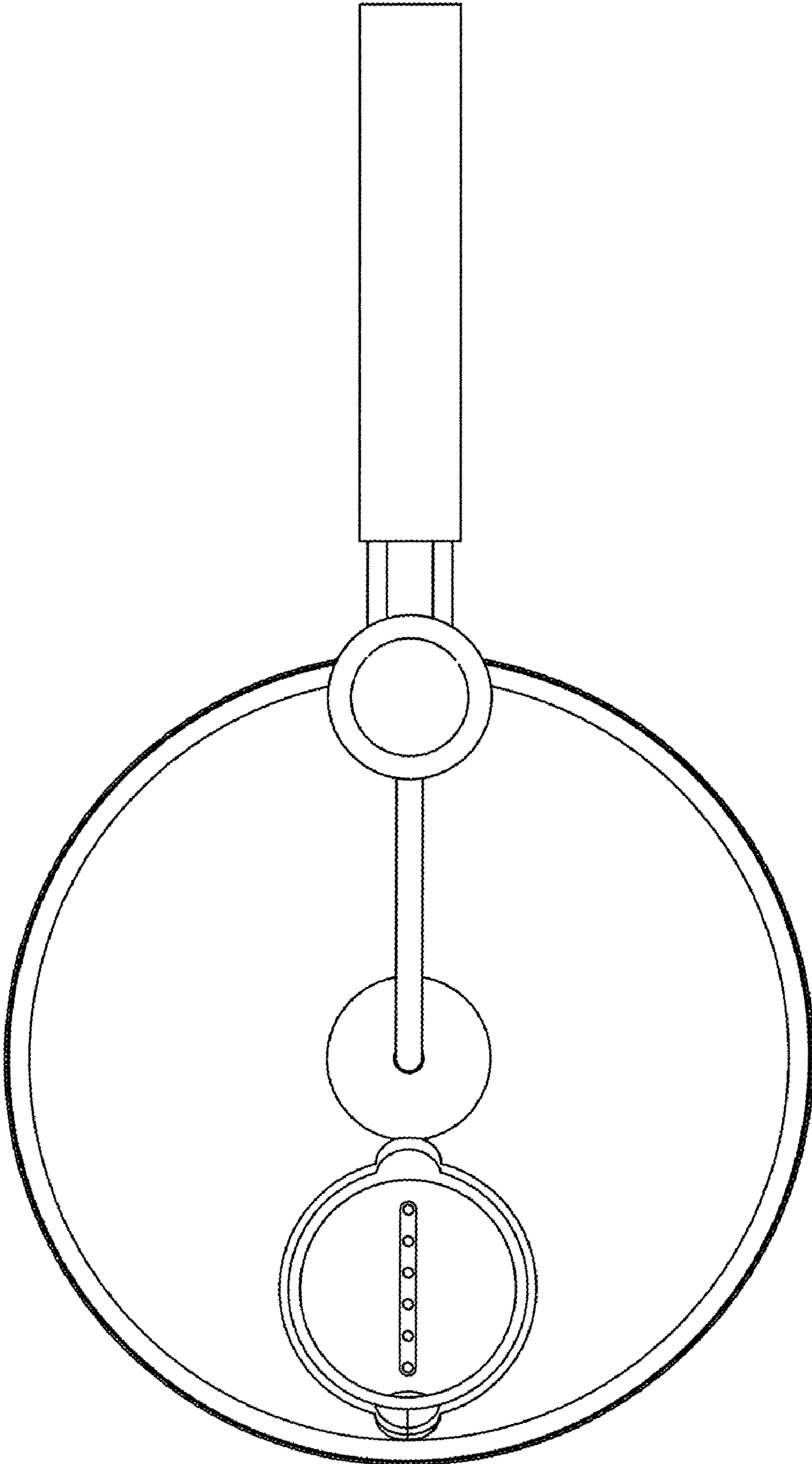


Fig. 1

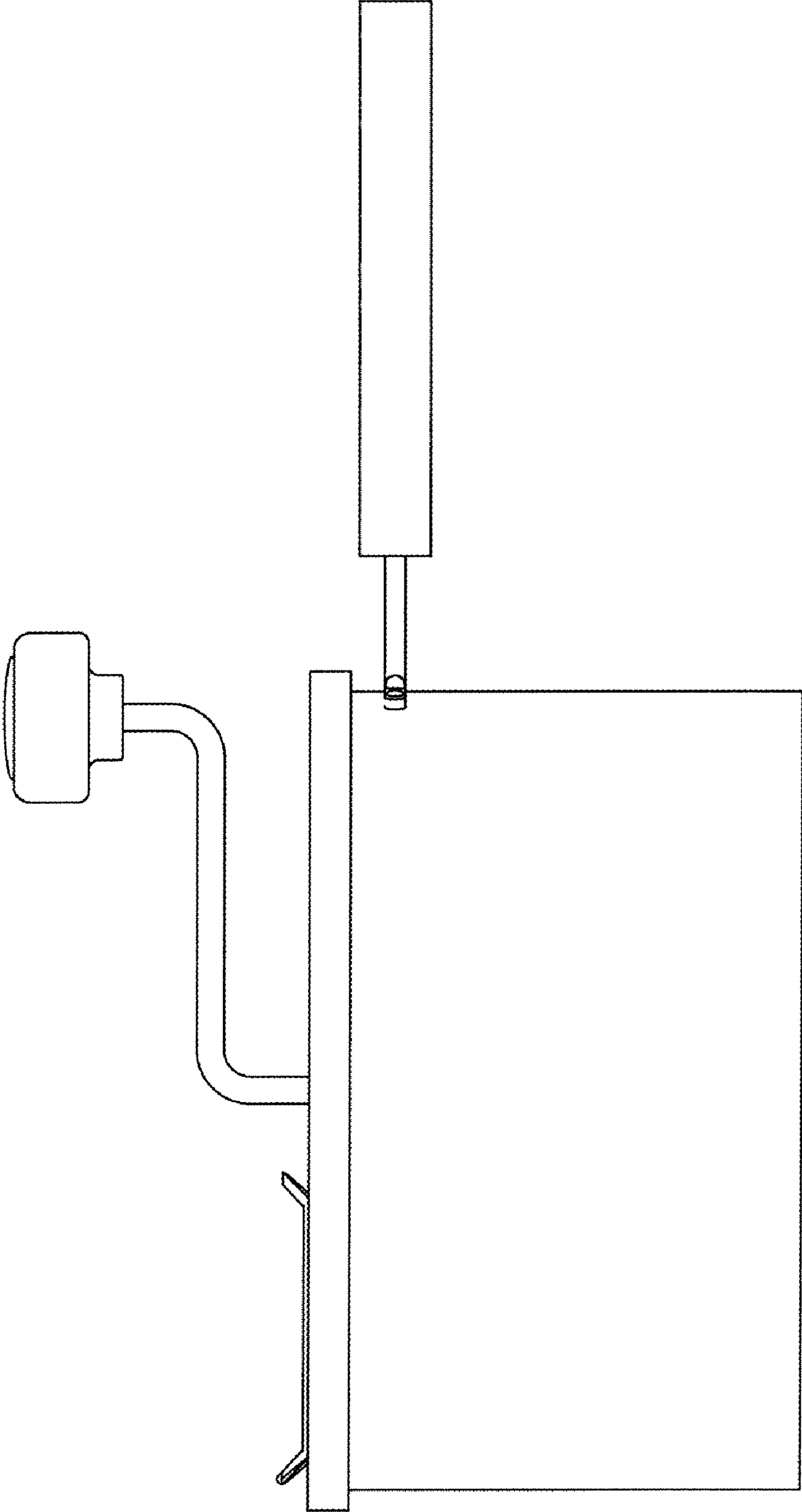


Fig. 2

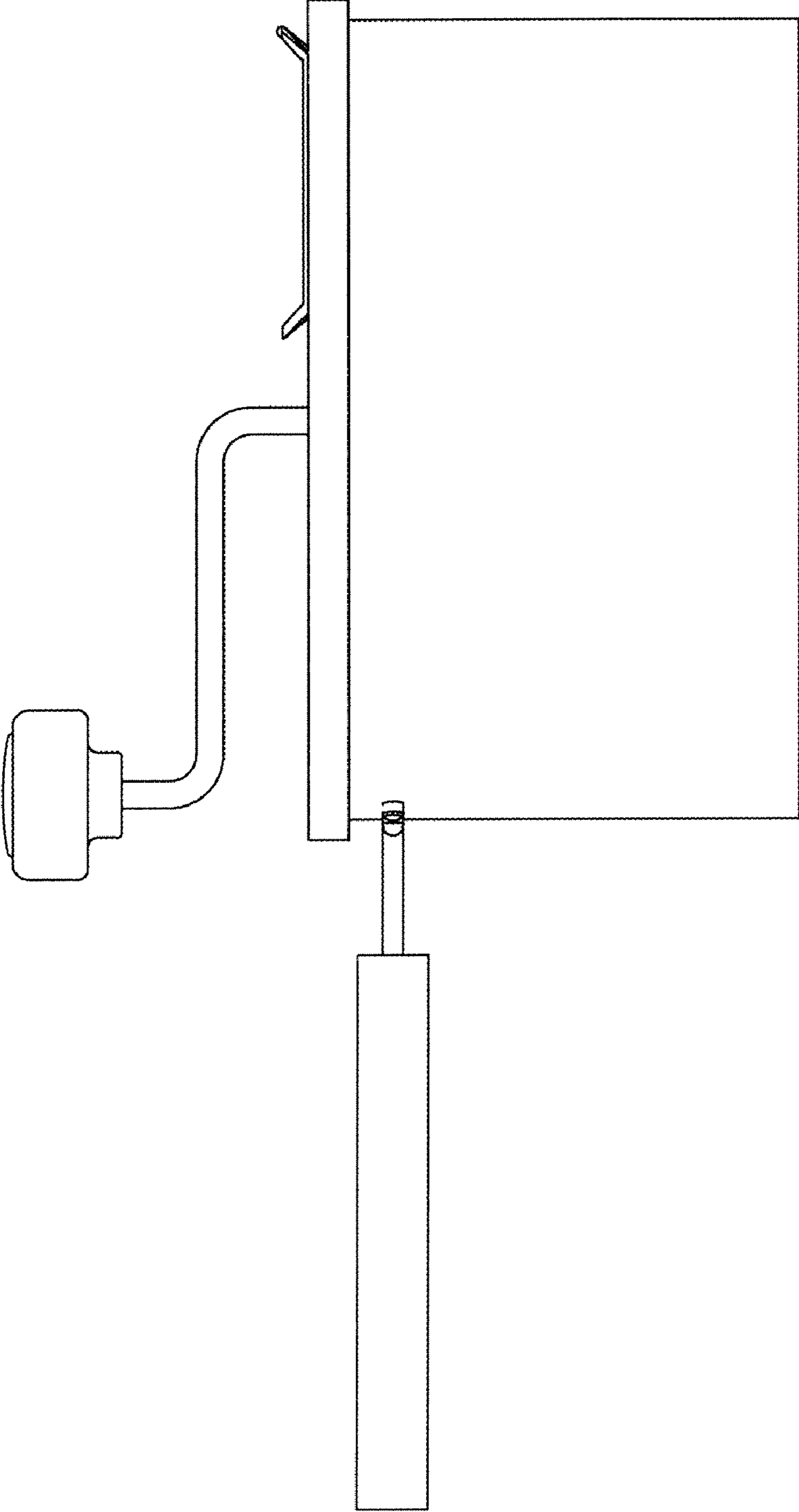


Fig. 3

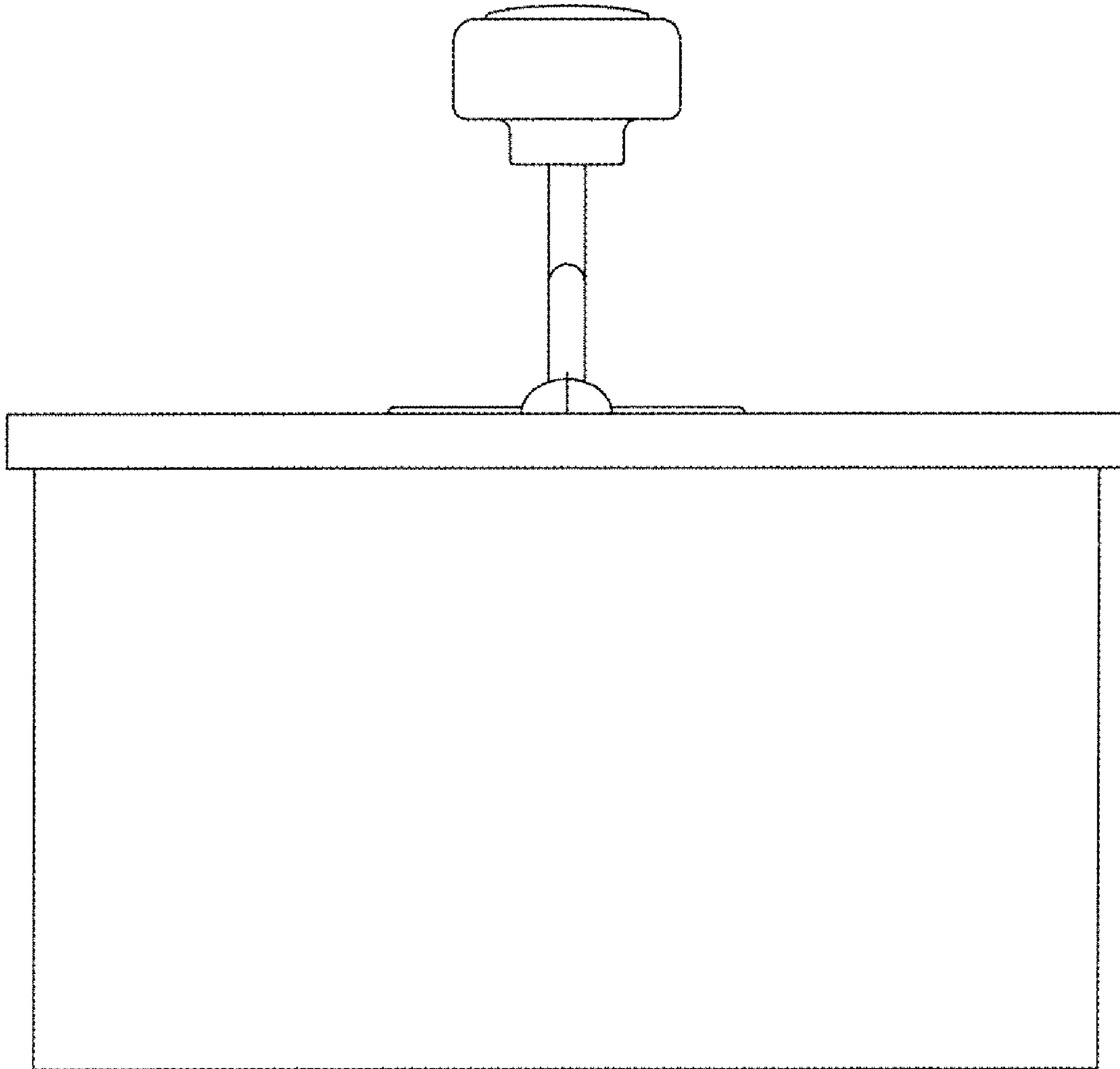


Fig. 4

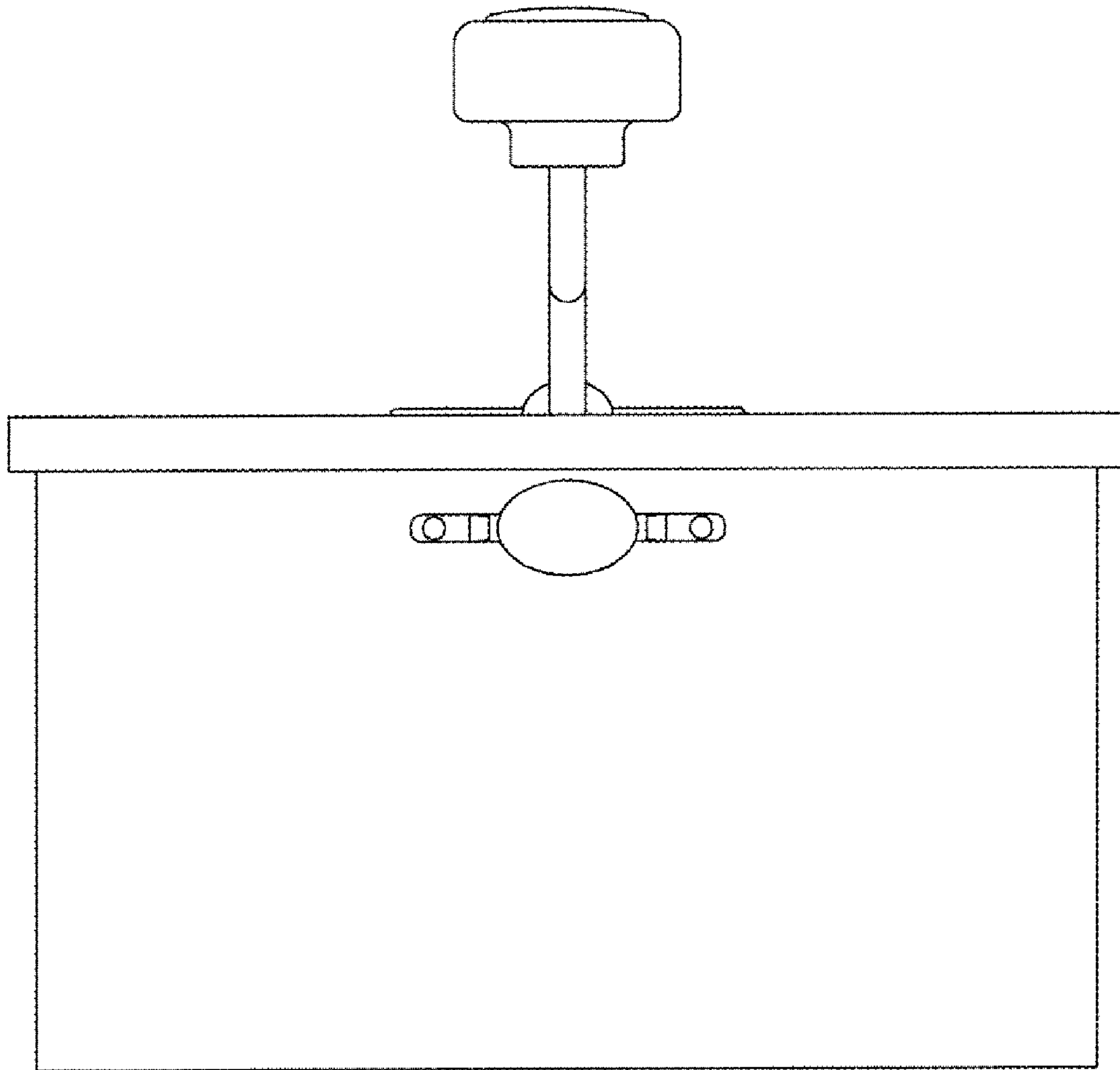


Fig. 5

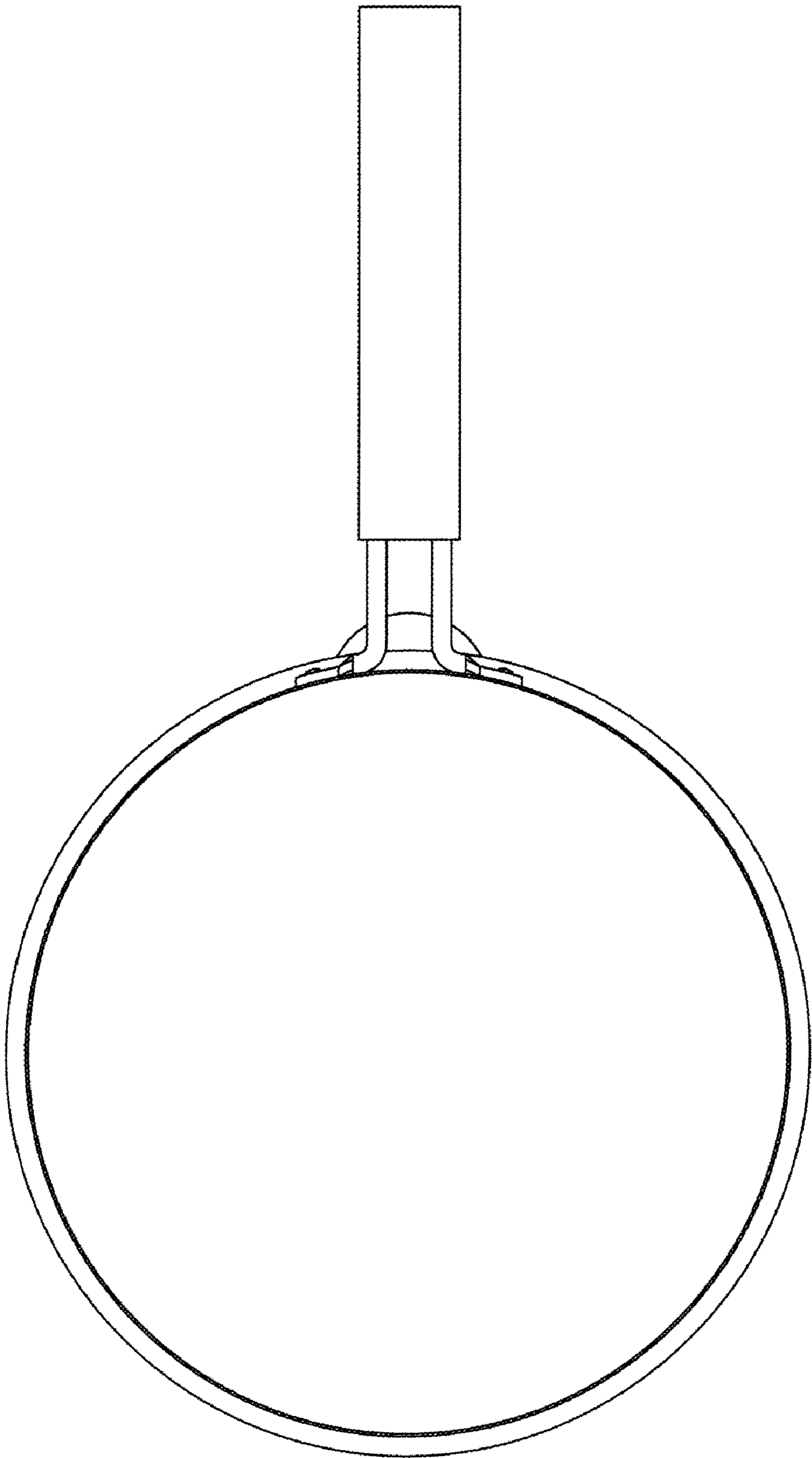


Fig. 6



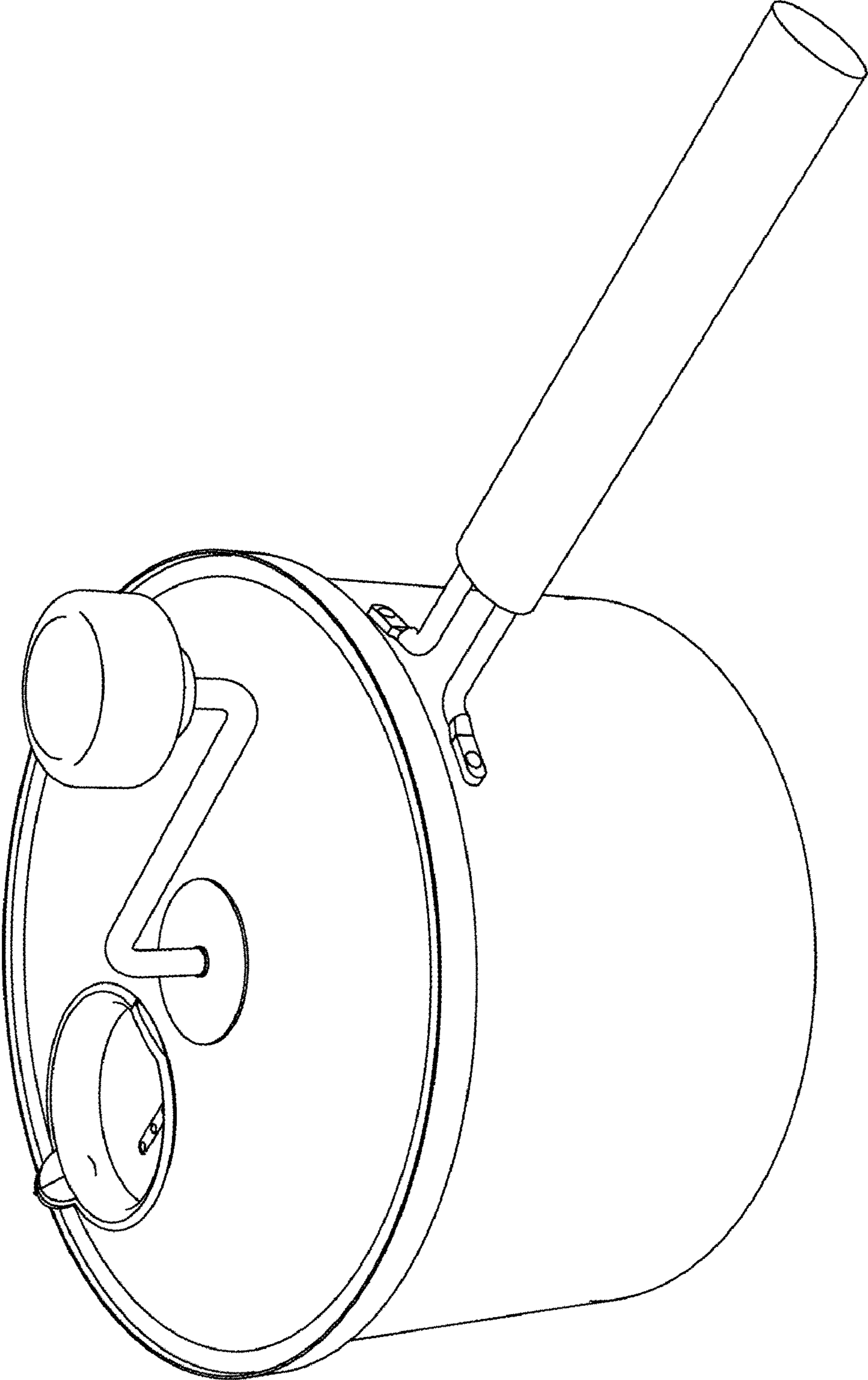


Fig. 7