



US00D636211S

(12) **United States Design Patent**
Kolander et al.

(10) **Patent No.:** **US D636,211 S**

(45) **Date of Patent:** **** Apr. 19, 2011**

(54) **BENCH SEAT CUSHION**

(76) Inventors: **Lisa Kolander**, Lakefield, MN (US);
Curtis L. Kolander, Lakefield, MN
(US)

(**) Term: **14 Years**

(21) Appl. No.: **29/348,959**

(22) Filed: **Feb. 25, 2010**

(51) **LOC (9) Cl.** **06-09**

(52) **U.S. Cl.** **D6/601**

(58) **Field of Classification Search** D6/595-601,
D6/604, 606, 611, 612; 5/630, 632, 633,
5/636, 637, 639, 644-646, 648, 652, 653,
5/655, 655.3, 655.9, 656; D21/803; D24/183;
D30/118; 108/90; 297/4, 219.1, 220, 227,
297/284.5, 394, 397, 411.21; 128/845; 428/100;
441/127

See application file for complete search history.

(56) **References Cited**

U.S. PATENT DOCUMENTS

4,471,993 A * 9/1984 Watson 297/284.5
4,588,224 A * 5/1986 Hill, Jr. 297/4
4,627,363 A * 12/1986 Jones 108/90
5,332,288 A * 7/1994 Coates 297/411.21
5,345,633 A * 9/1994 Harnish 5/639
5,533,219 A * 7/1996 Meyers 5/653

6,143,392 A * 11/2000 Hughes 428/100
6,145,508 A * 11/2000 Seip, Jr. 128/845
D449,953 S * 11/2001 Mixon D6/601
D476,517 S * 7/2003 Davis D6/601
D554,424 S * 11/2007 Sandey et al. D6/612
7,431,396 B1 * 10/2008 Dasso 297/227
D590,648 S * 4/2009 Rahimian D6/601
7,627,916 B1 * 12/2009 Gielow 5/636

OTHER PUBLICATIONS

1½" Bleacher Cushion—WellPromo.com © 2008 East Bright Phearl
Co Ltd <http://www.wellpromo.com/Wholesale/Cushions/1-1-2--Bleacher-Cushion-206821.htm>.*

* cited by examiner

Primary Examiner — Mary Ann Calabrese

(74) *Attorney, Agent, or Firm* — Richard L. Mikesell

(57) **CLAIM**

The ornamental design for a bench seat cushion, as shown and described.

DESCRIPTION

FIG. 1: Top left perspective view;

FIG. 2: Bottom plan view;

FIG. 3: Top plan view;

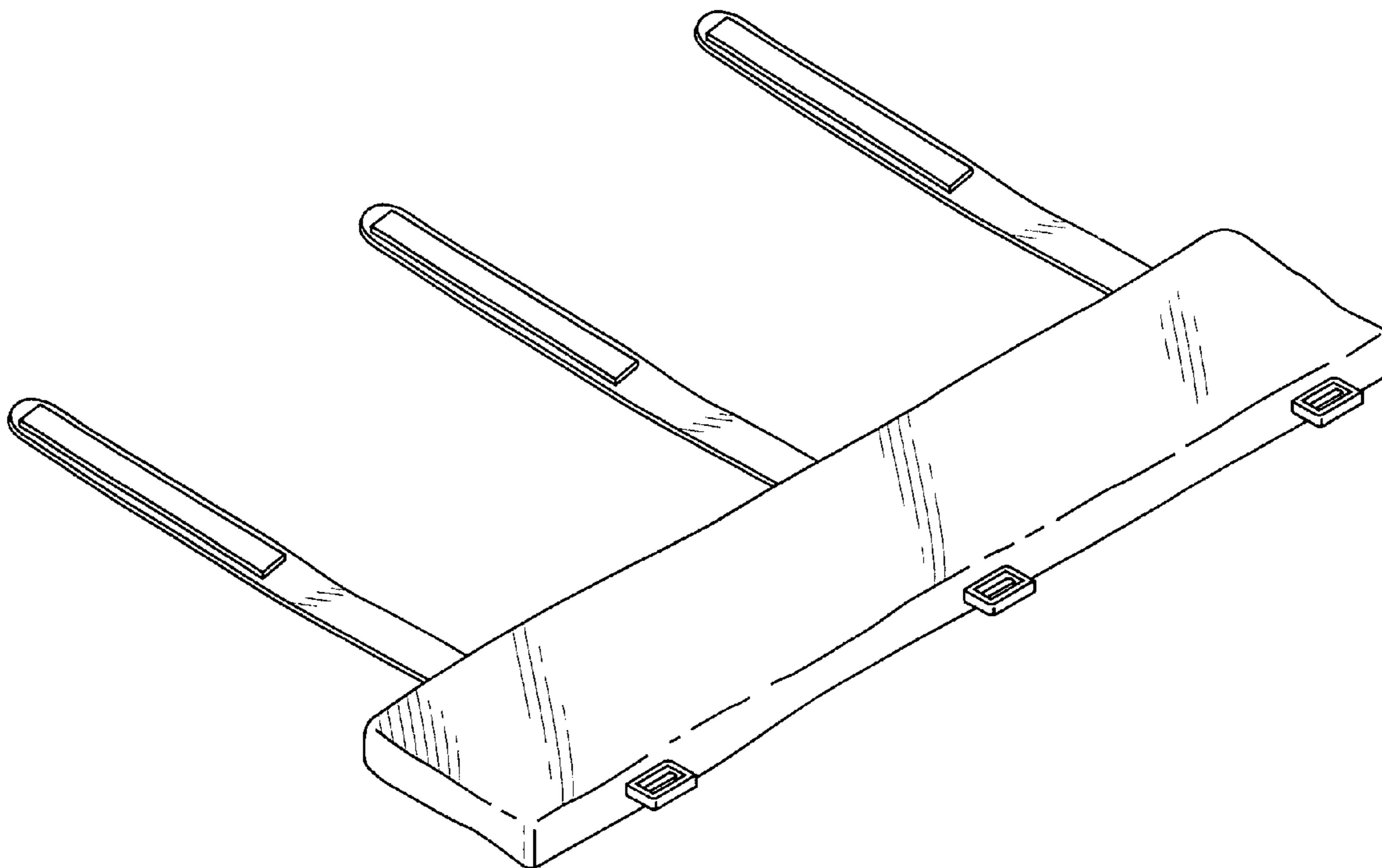
FIG. 4: Front elevation;

FIG. 5: Rear elevation;

FIG. 6: Right side view; and,

FIG. 7: Left side view.

1 Claim, 4 Drawing Sheets



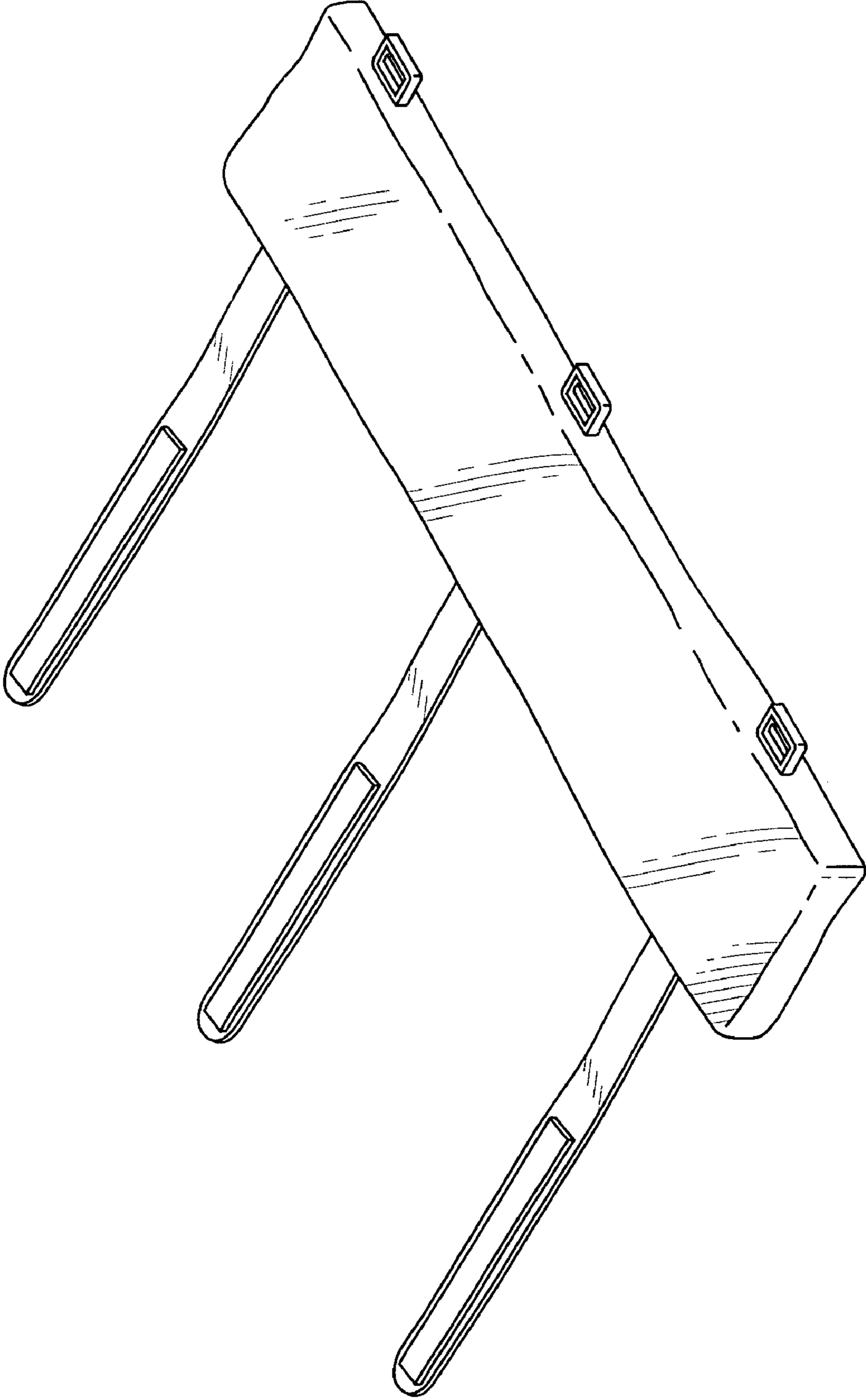


Fig. 1

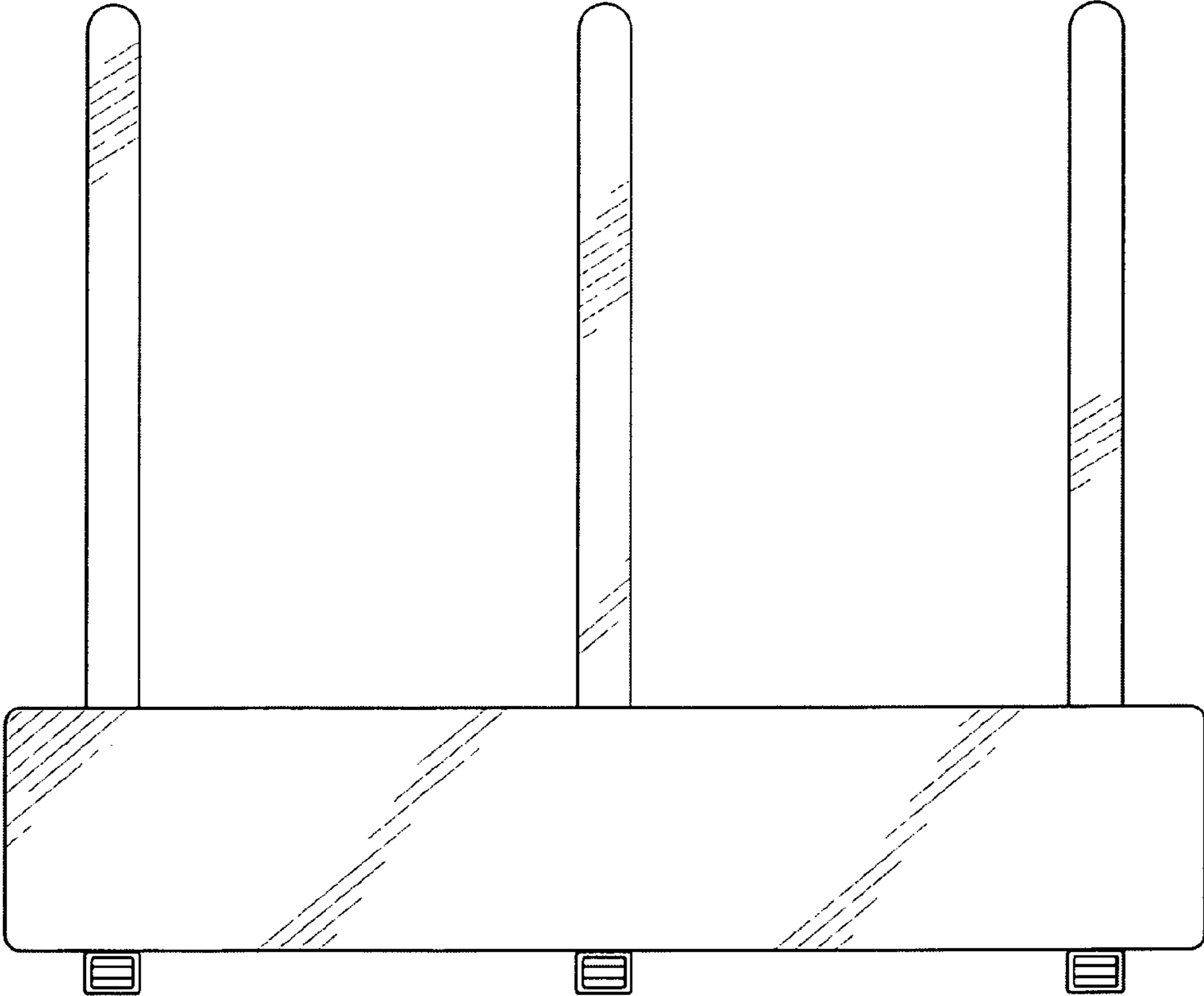


Fig. 2

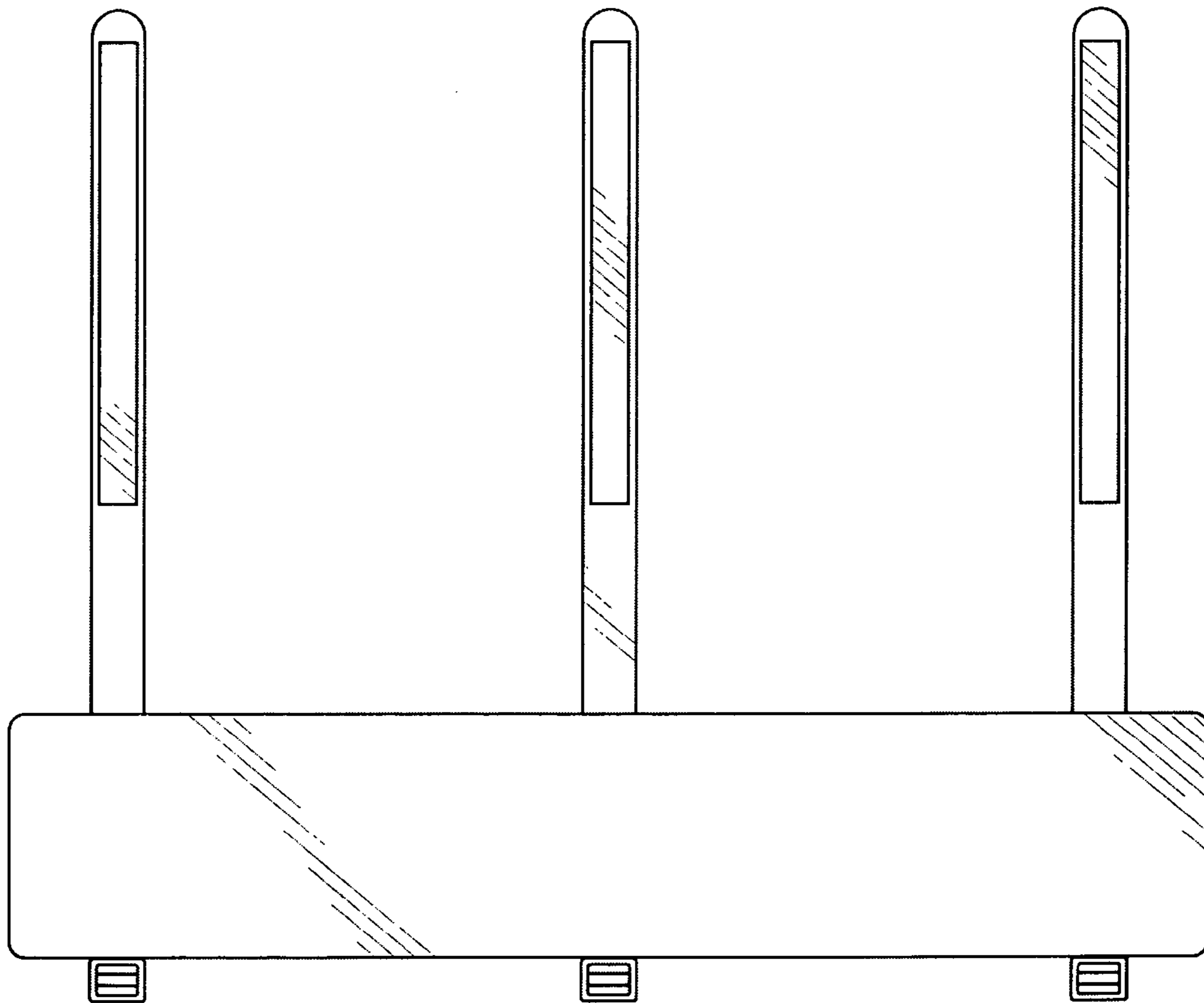


Fig. 3



Fig. 4

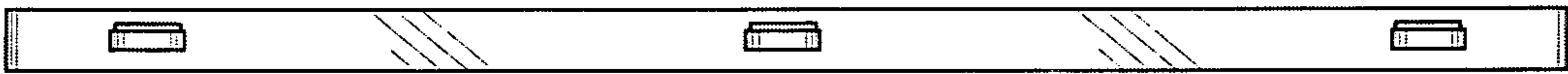


Fig. 5

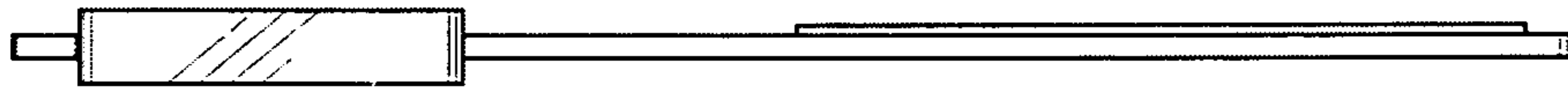


Fig. 6

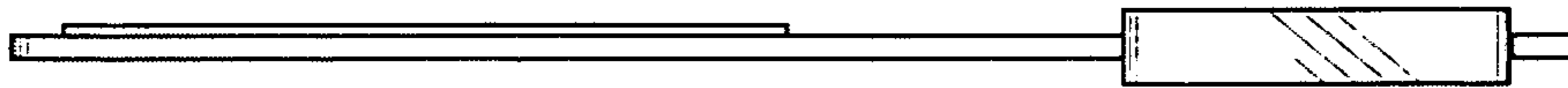


Fig. 7