



US00D636205S

(12) **United States Design Patent**  
**Chou**

(10) **Patent No.:** **US D636,205 S**

(45) **Date of Patent:** **\*\* Apr. 19, 2011**

(54) **TILT ROD FOR A CONTROL SYSTEM FOR WINDOW COVERING**

(76) Inventor: **Tser Wen Chou**, Taipei (TW)

(\*\*) Term: **14 Years**

(21) Appl. No.: **29/357,005**

(22) Filed: **Mar. 5, 2010**

(51) **LOC (9) Cl.** ..... **06-10**

(52) **U.S. Cl.** ..... **D6/580**

(58) **Field of Classification Search** ..... D6/577,  
D6/580, 581, 582; 160/23.1, 84.04, 84.05,  
160/170, 171, 173 R, 177 R, 178.2, 238,  
160/243, 245, 250, 307, 321, 323.1; 24/115 L,  
24/115 R, 136 A; 318/16, 17, 138, 160, 280,  
318/282, 464, 480; D7/542; D8/376, 382;  
D25/120, 122

See application file for complete search history.

(56) **References Cited**

U.S. PATENT DOCUMENTS

6,095,228 A \* 8/2000 Liu ..... 160/173 R  
6,321,820 B1 \* 11/2001 Liu ..... 160/177 R

6,433,498 B1 \* 8/2002 Domel et al. .... 318/280  
D487,661 S \* 3/2004 Signorati ..... D6/580  
D507,141 S \* 7/2005 Allsopp ..... D6/580  
7,690,415 B2 \* 4/2010 Cheng ..... 160/178.2  
D622,994 S \* 9/2010 Chou ..... D6/580  
D626,772 S \* 11/2010 Chou ..... D6/580

\* cited by examiner

*Primary Examiner* — Susan Bennett Hattan

*Assistant Examiner* — Barbara B Lohr

(74) *Attorney, Agent, or Firm* — Ming Chow; Sinorica, LLC

(57) **CLAIM**

The ornamental design for a tilt rod for a control system for window covering, as shown and described.

**DESCRIPTION**

FIG. 1 is a perspective view of a tilt rod for a control system for window covering;

FIG. 2 is a front view thereof;

FIG. 3 is a rear view thereof;

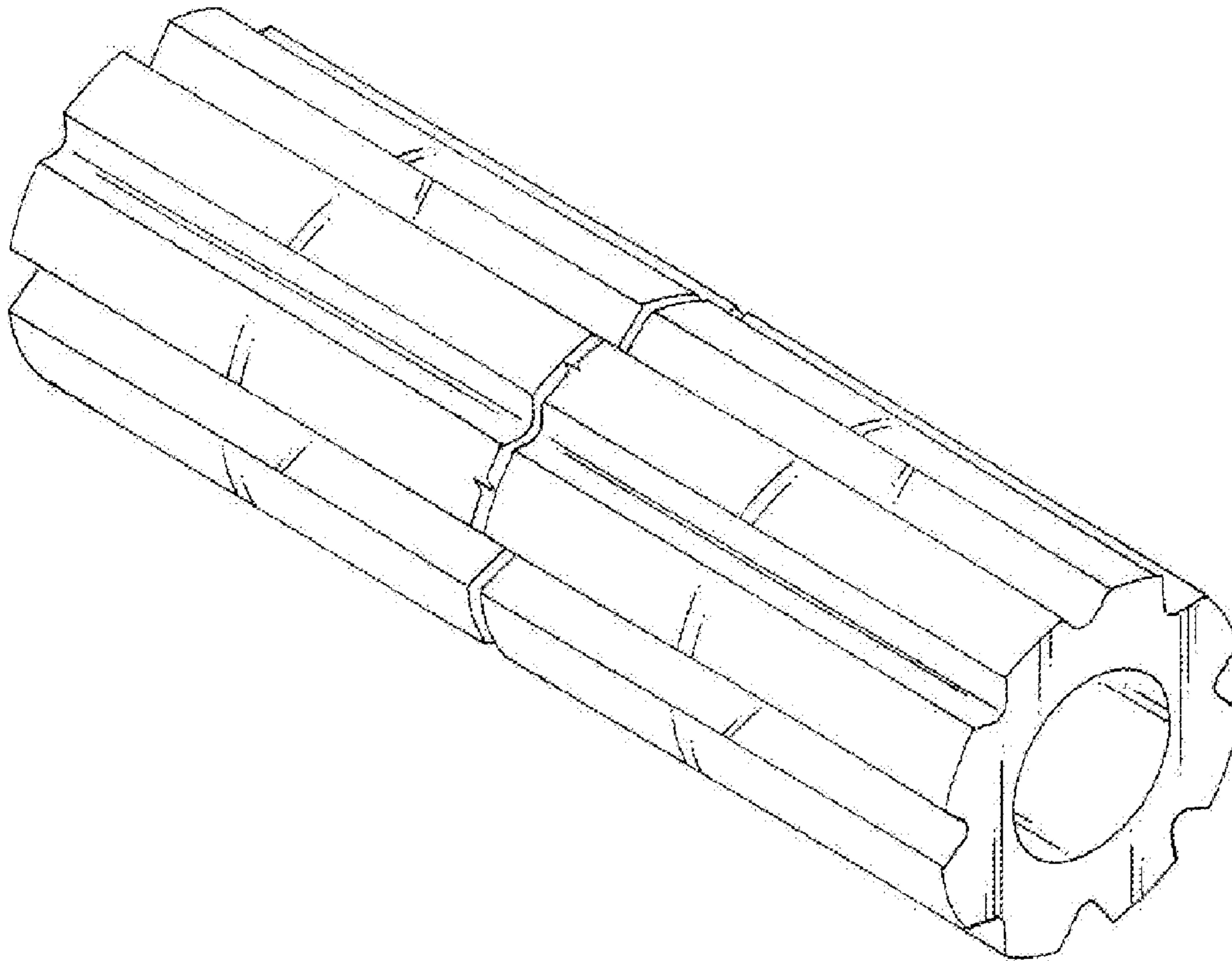
FIG. 4 is a right side view thereof;

FIG. 5 is a left side view thereof;

FIG. 6 is a top view thereof; and,

FIG. 7 is a bottom view thereof.

**1 Claim, 4 Drawing Sheets**



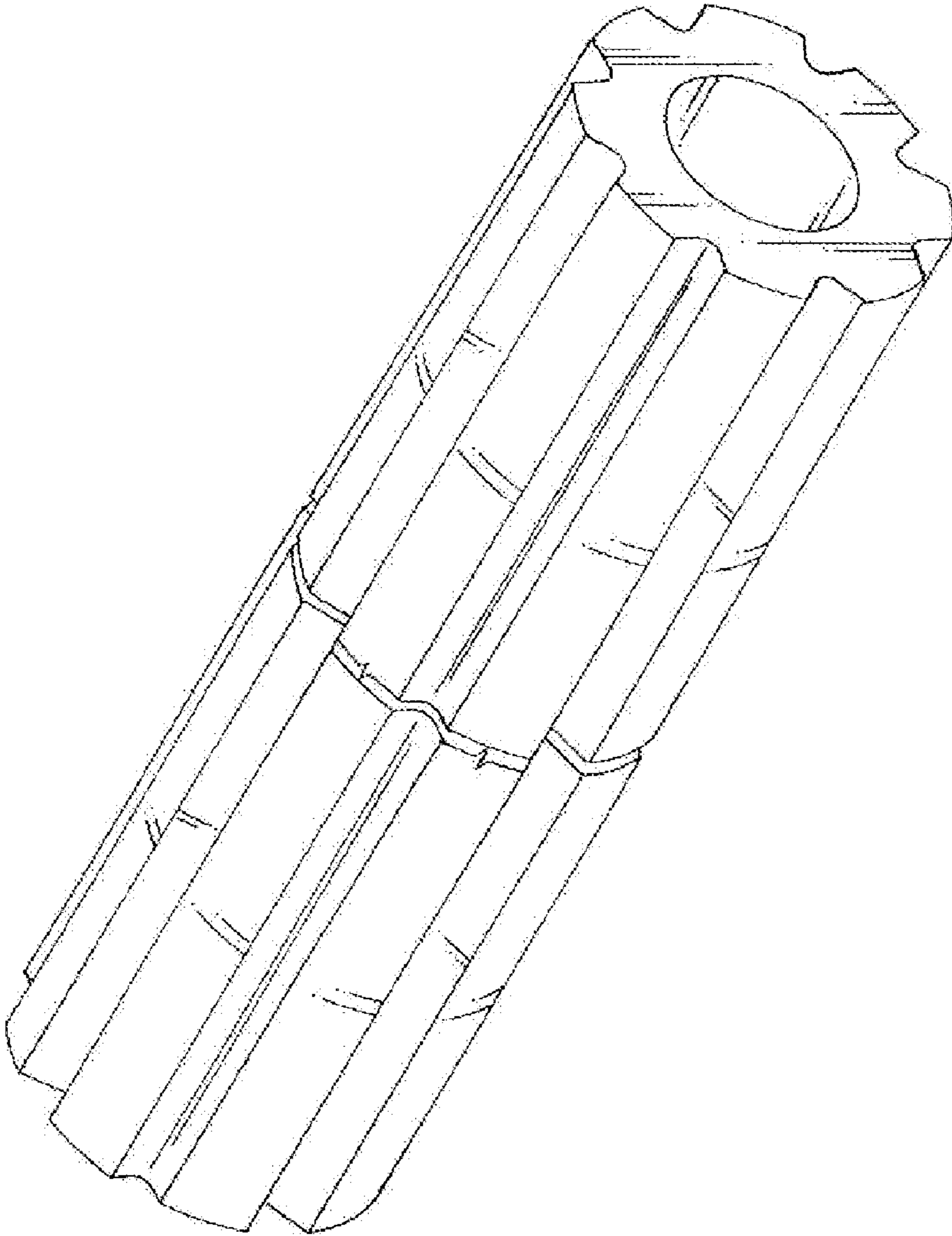


FIG 1

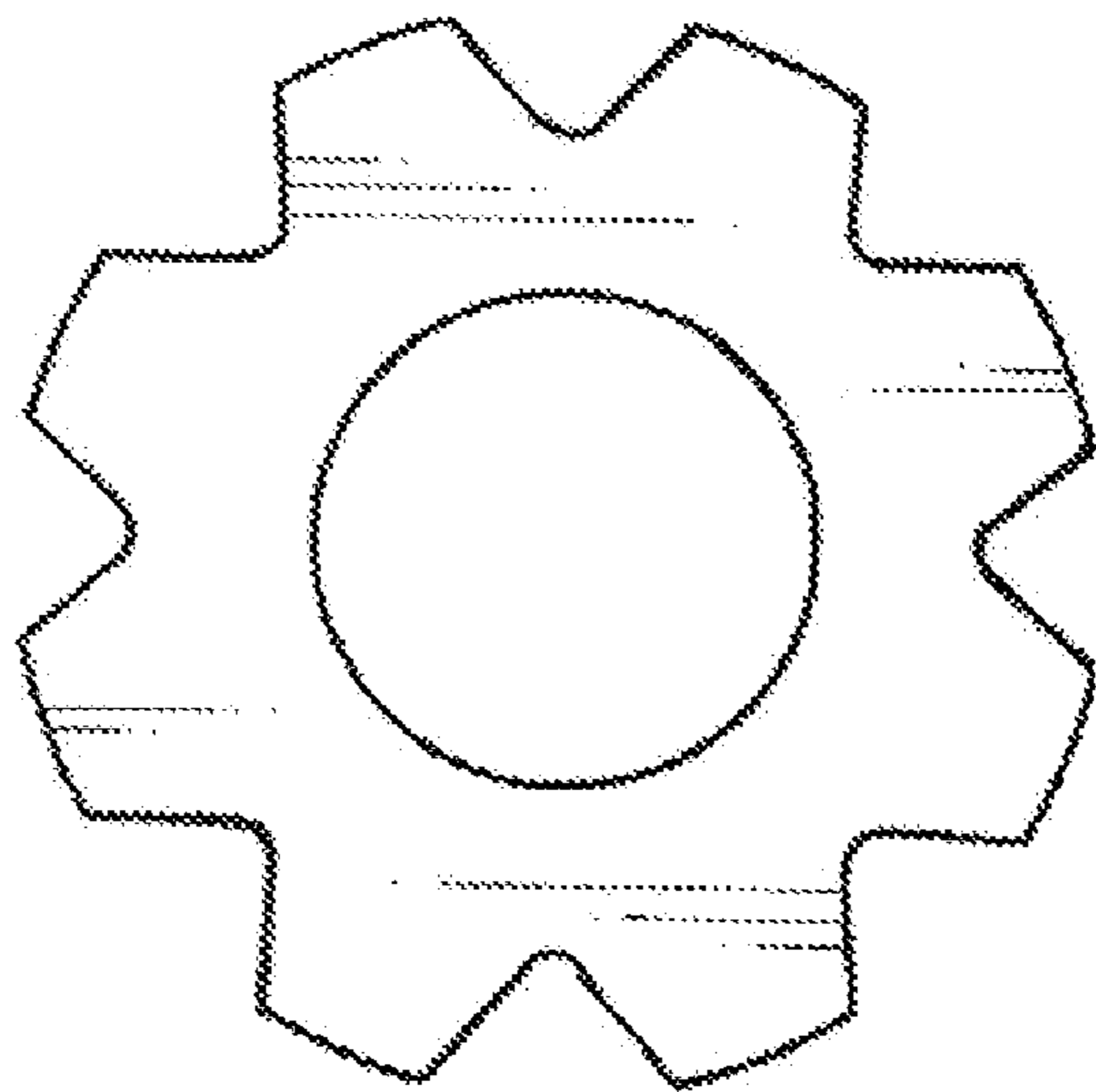


FIG 3

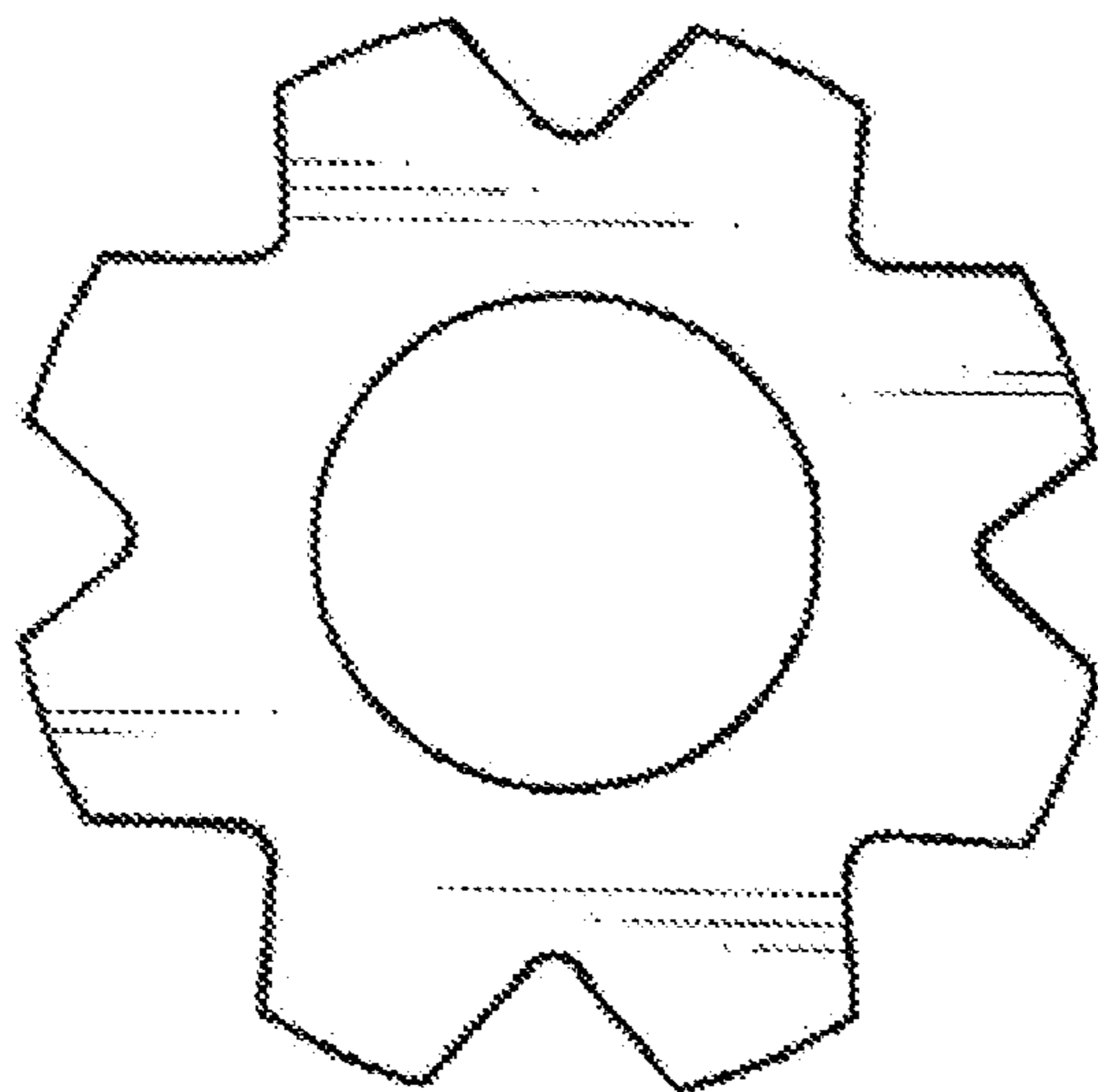


FIG 2

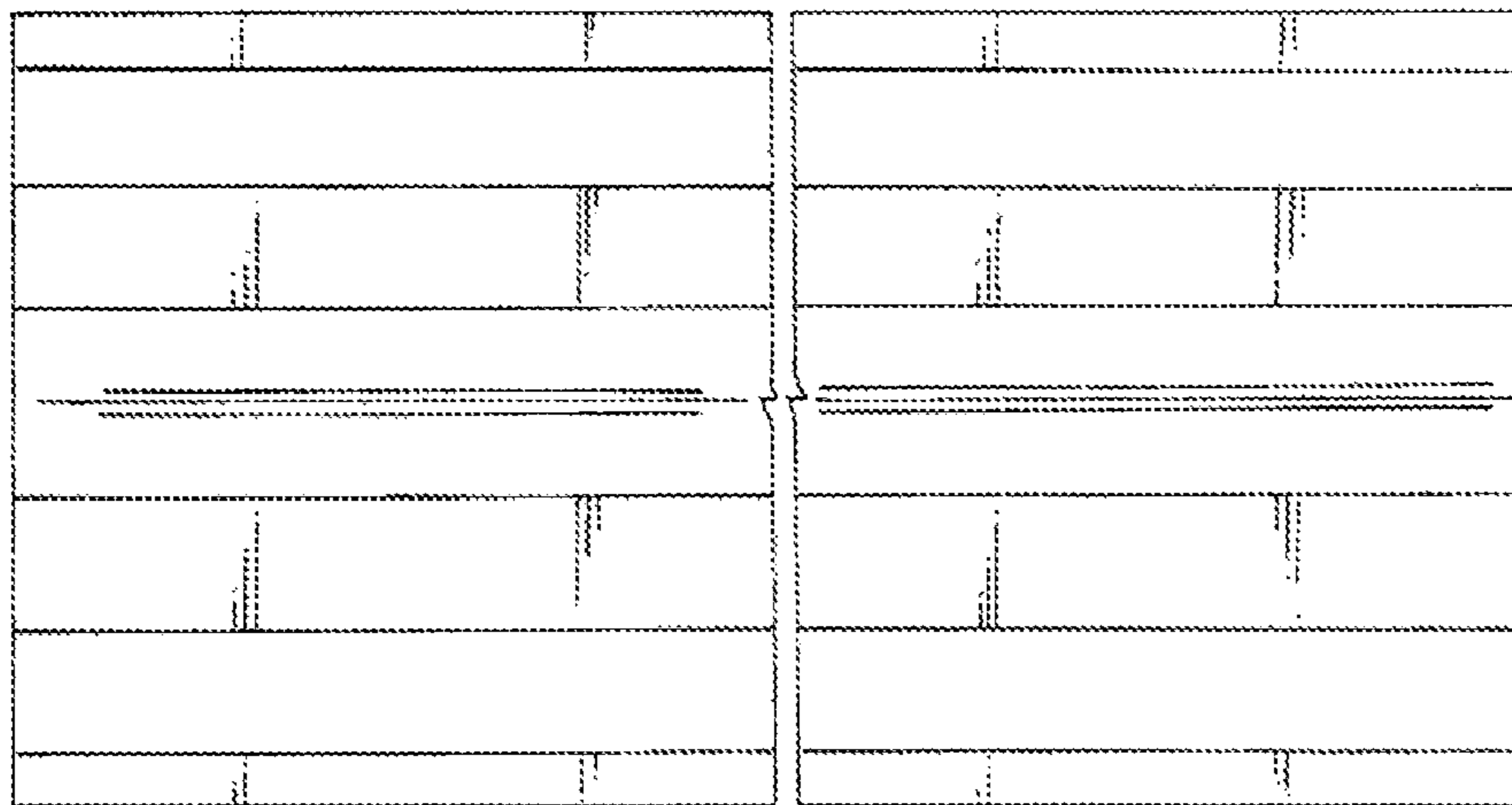


FIG 4

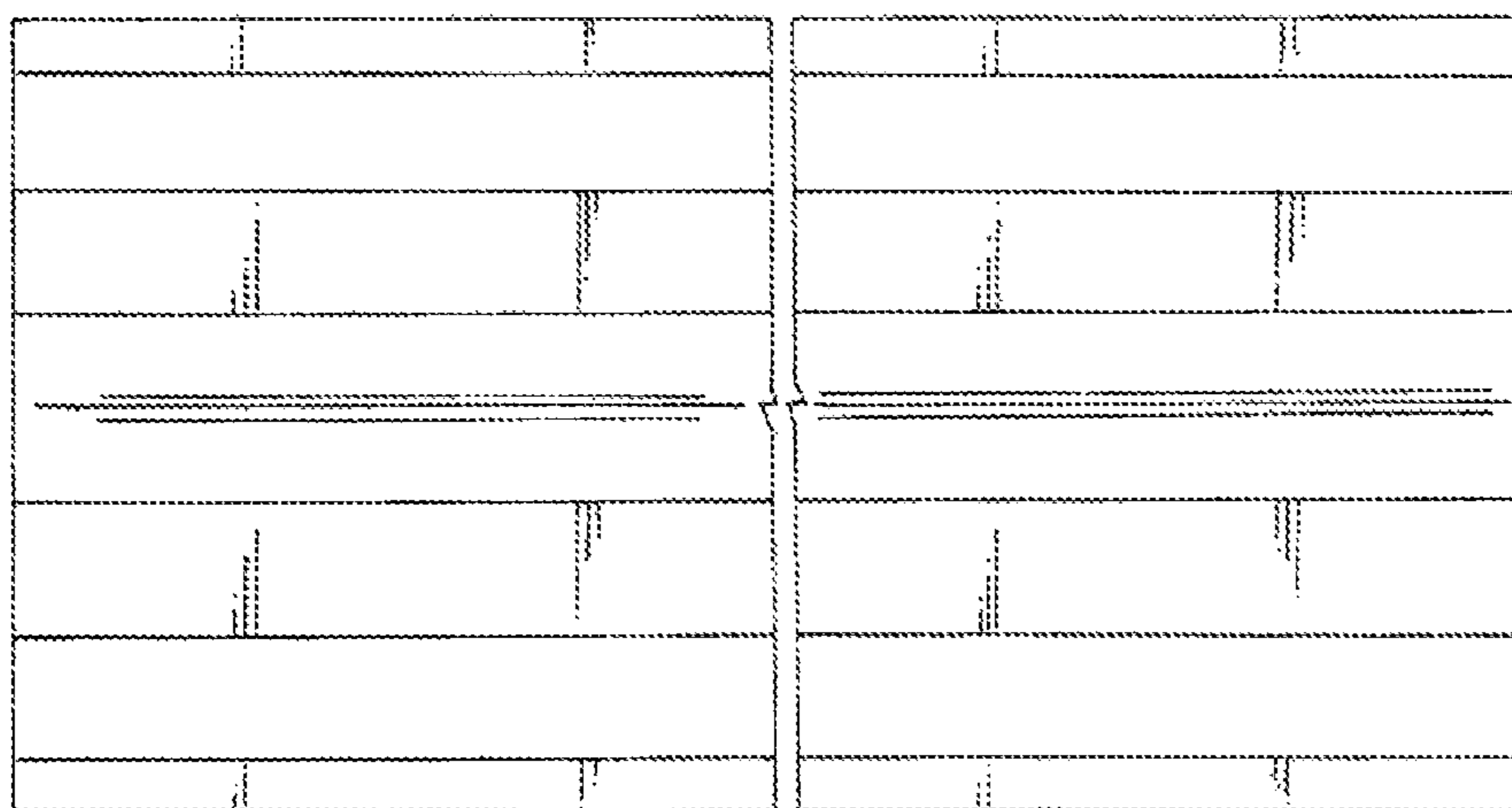


FIG 5

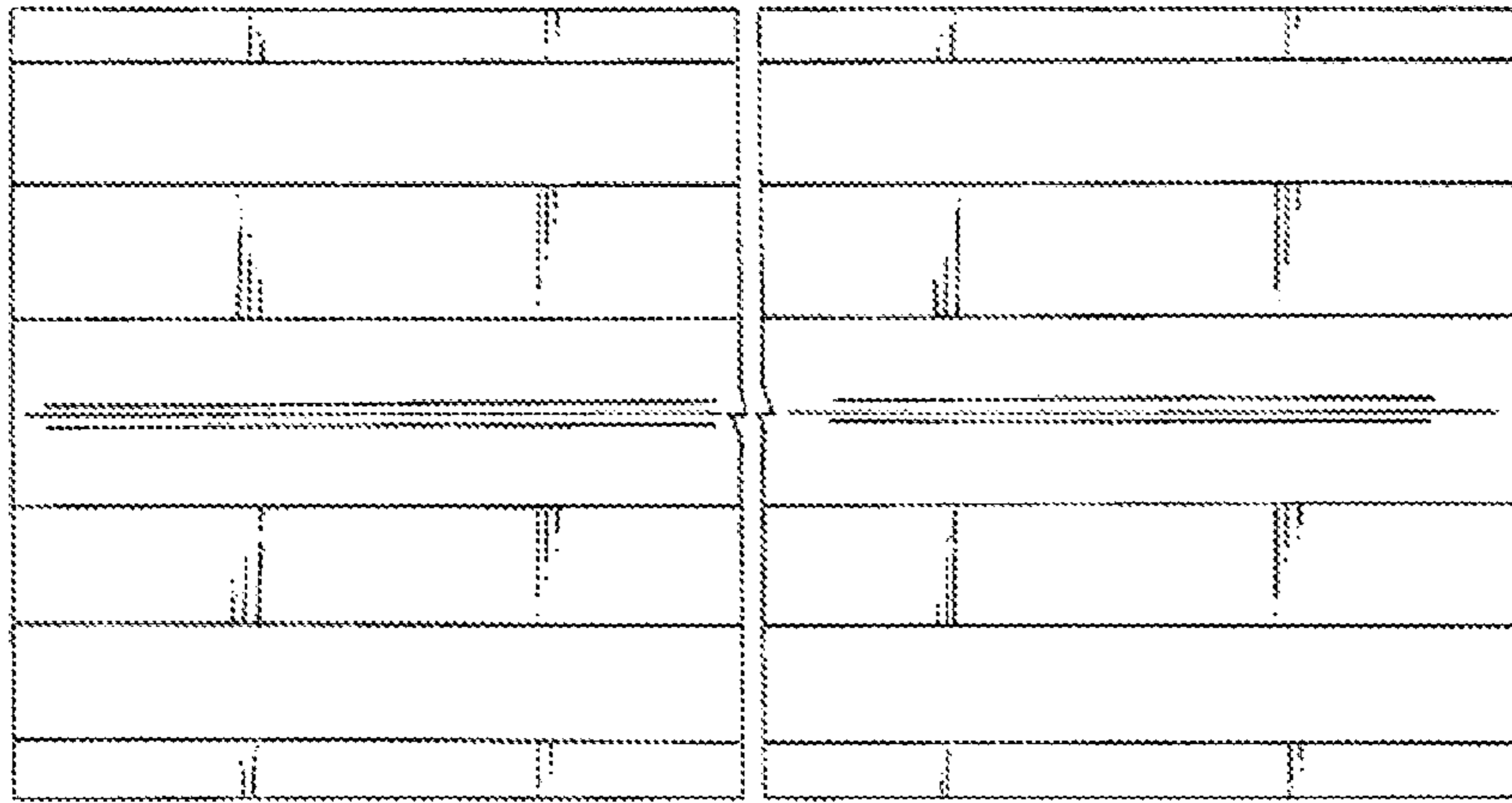


FIG 7

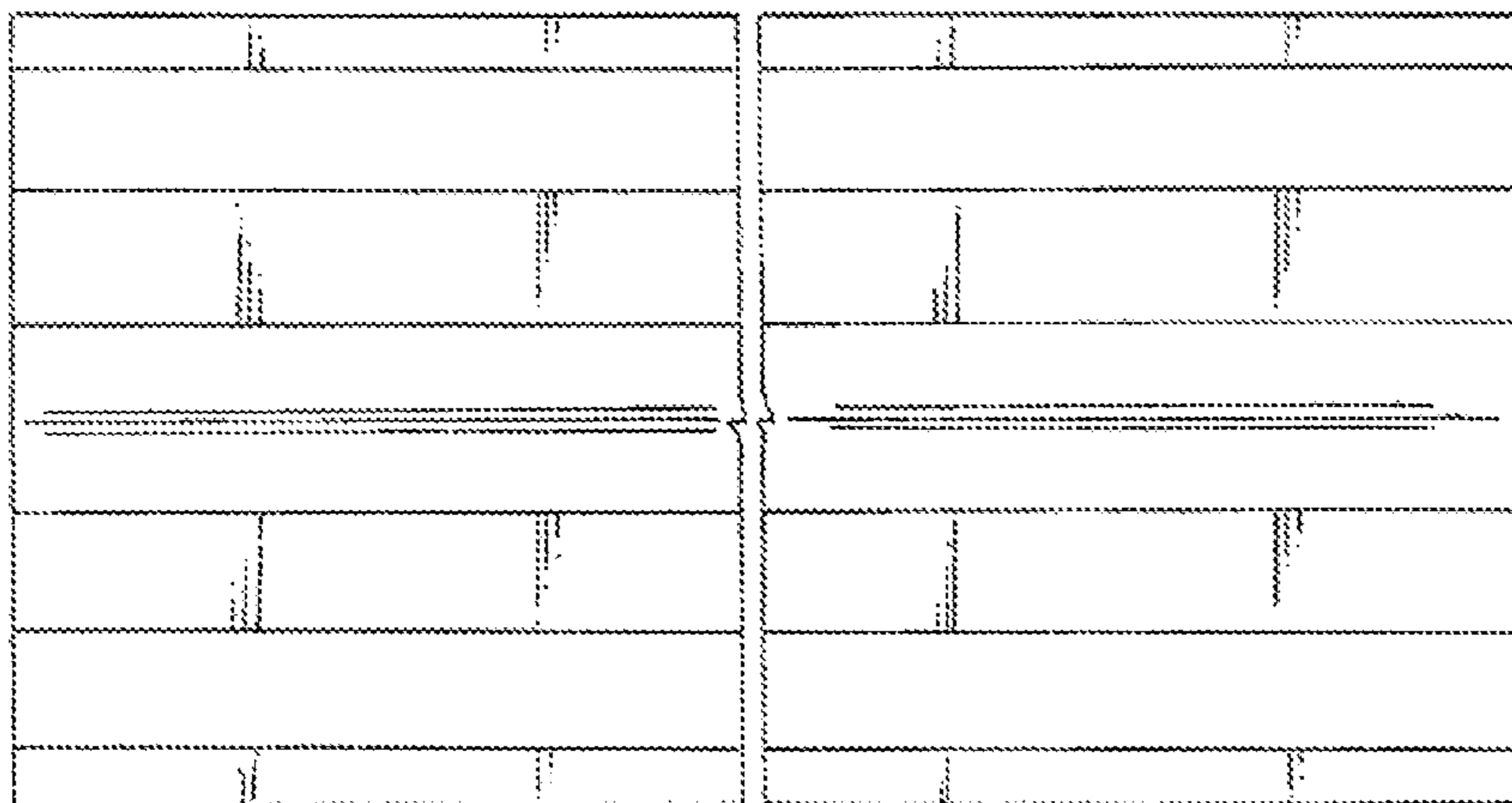


FIG 6