



US00D636203S

(12) **United States Design Patent**
Kozak et al.

(10) **Patent No.:** **US D636,203 S**

(45) **Date of Patent:** **** Apr. 19, 2011**

(54) **PRODUCT DISPLAY RACK**

(76) Inventors: **Burton Kozak**, Chicago, IL (US); **Ira Kozak**, Riverwoods, IL (US)

(**) Term: **14 Years**

(21) Appl. No.: **29/353,473**

(22) Filed: **Jan. 8, 2010**

(51) **LOC (9) Cl.** **06-04**

(52) **U.S. Cl.** **D6/566**

(58) **Field of Classification Search** D6/512-514,
D6/566, 553, 567, 569, 315, 320, 327; D8/349,
D8/354, 367, 372; 248/301-304, 309.1,
248/309.2; 211/13.1, 30, 32, 70.6, 56.01,
211/87.01, 181.1

See application file for complete search history.

(56) **References Cited**

U.S. PATENT DOCUMENTS

D457,014 S *	5/2002	Miller	D6/566
D462,220 S *	9/2002	Battaglia et al.	D6/566
D533,002 S *	12/2006	Recknagel et al.	D6/566
D533,745 S *	12/2006	Rodrigue	D6/566
D547,955 S *	8/2007	Johnson et al.	D6/566

* cited by examiner

Primary Examiner — Brian N Vinson

(74) *Attorney, Agent, or Firm* — Bereskin & Parr LLP/S.E.N.C.R.L., s.r.l.

(57) **CLAIM**
The ornamental design of a product display rack, as shown.

DESCRIPTION

FIG. 1 is an isometric view from the front and to one side of a product display rack showing my new design;

FIG. 2 is an isometric view from the back and to one side of the product display rack of FIG. 1;

FIG. 3 is a side elevation view of the left side of the product display rack of FIG. 1 (when viewed from the front);

FIG. 4 is a front elevation view of the of the product display rack of FIG. 1;

FIG. 5 is a side elevation view of the right side of the product display rack of FIG. 1;

FIG. 6 is a rear elevation view of the product display rack of FIG. 1;

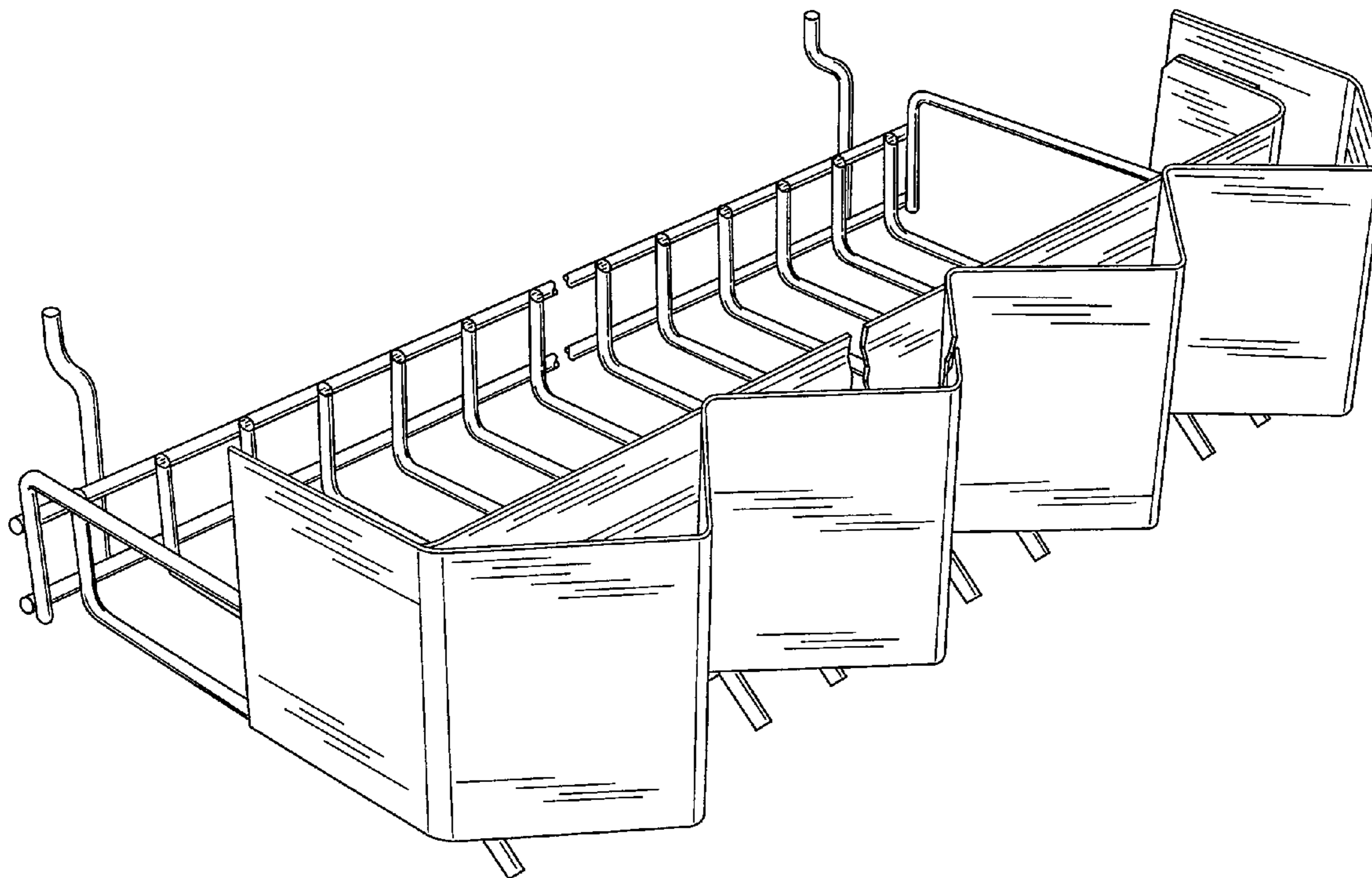
FIG. 7 is a top plan view of the product display rack of FIG. 1; and,

FIG. 8 is a bottom plan view of the product display rack of FIG. 1.

The claimed design is shown broken away in its horizontal dimension to indicate that the rack can be of variable length.

The claim being understood to consist of the appearance of a rack of variable length.

1 Claim, 6 Drawing Sheets



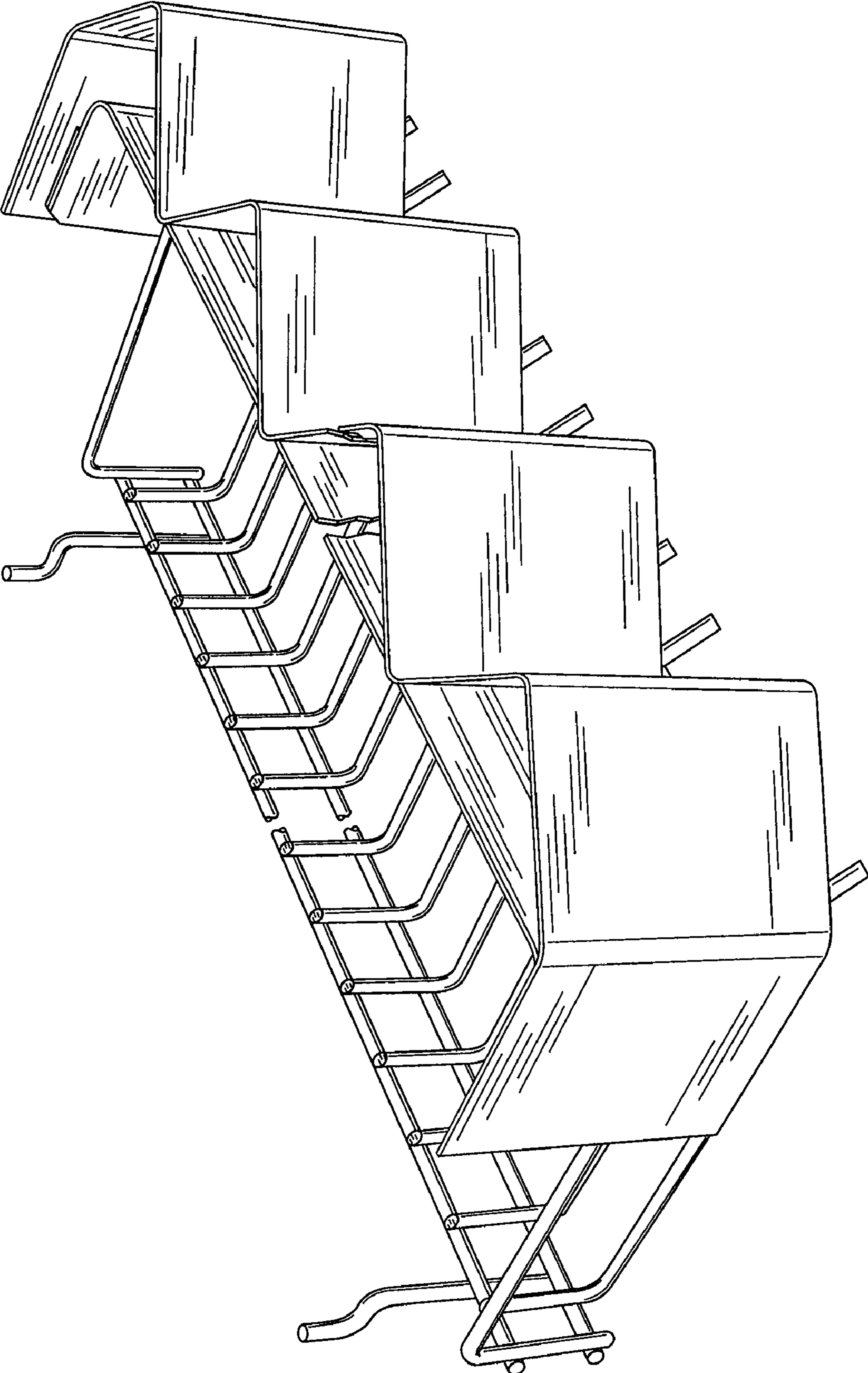


FIG. 1

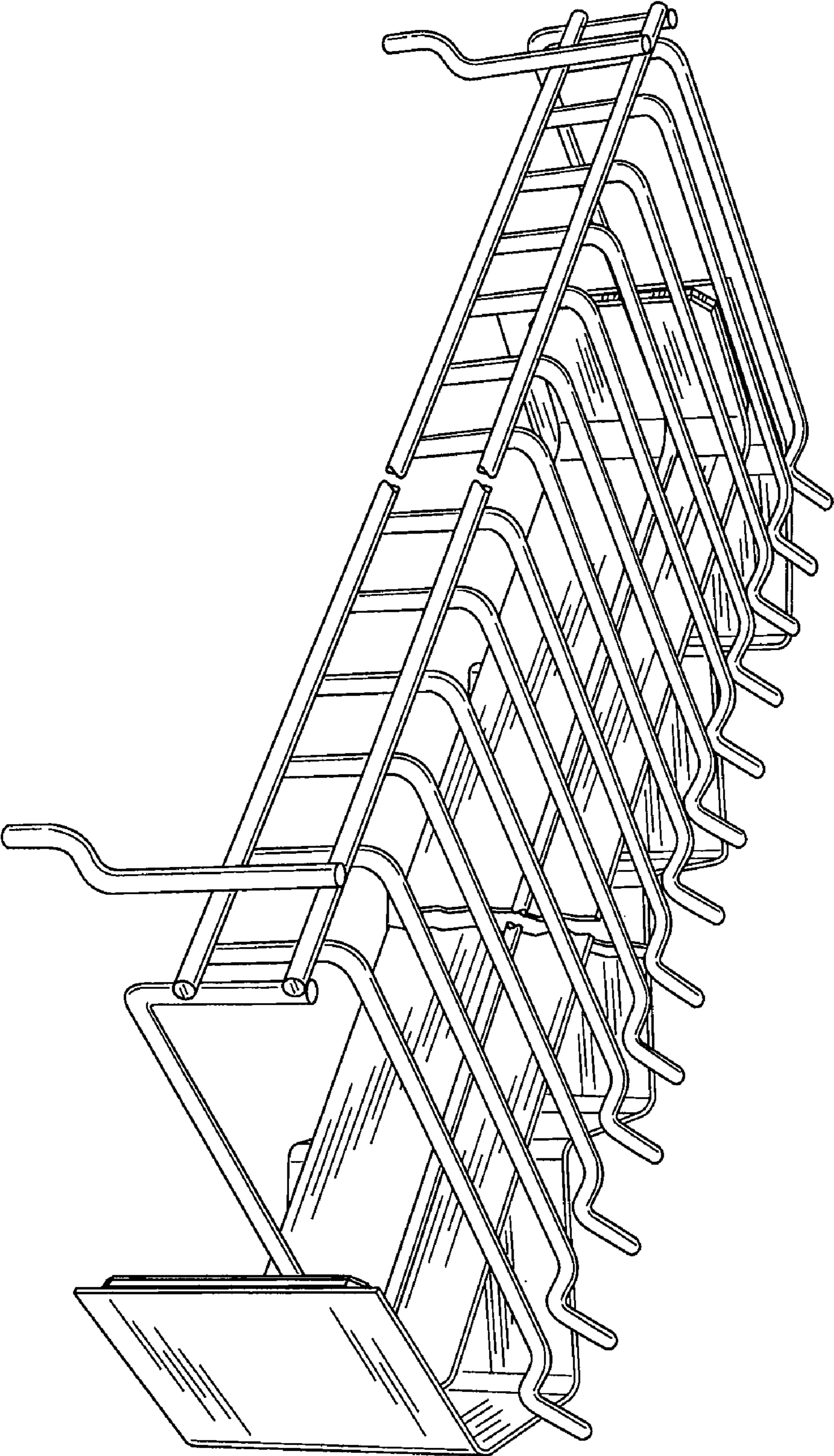


FIG. 2

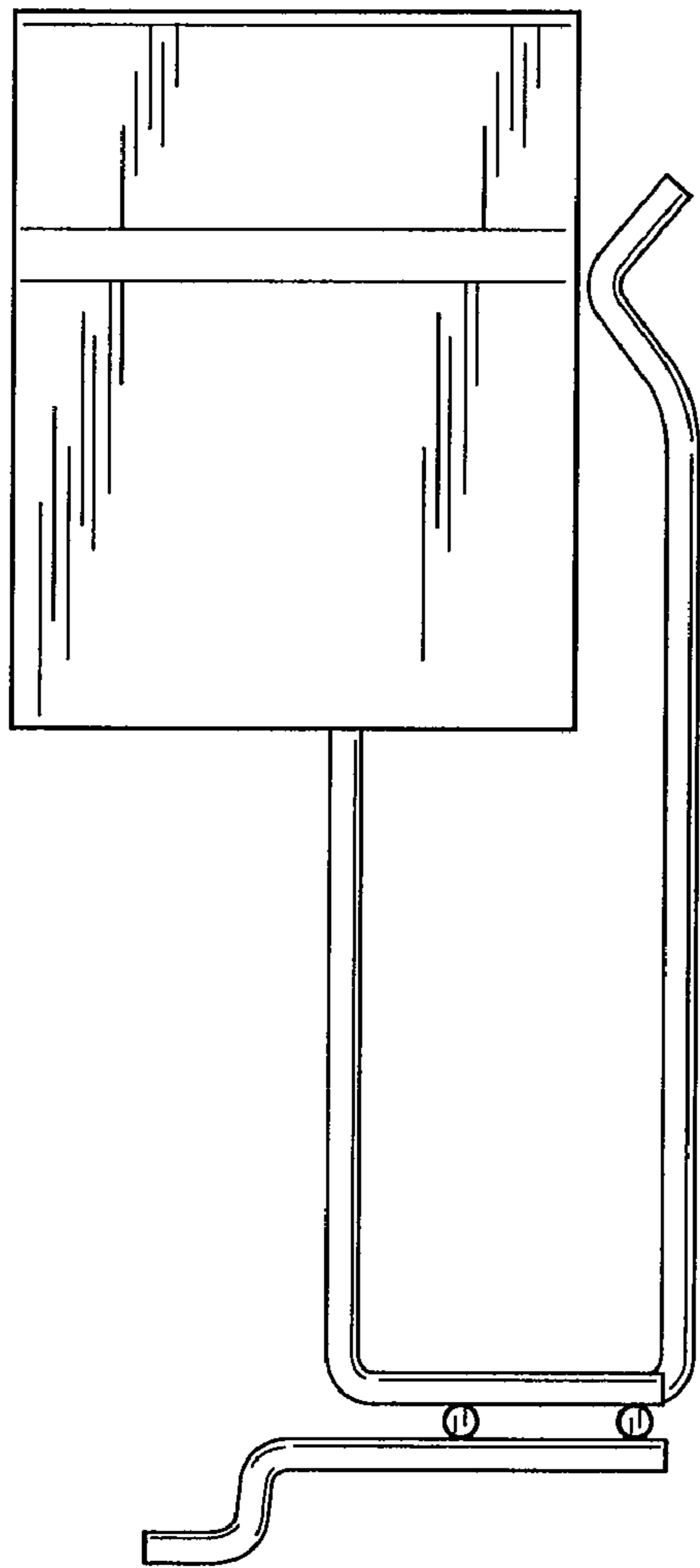


FIG. 3

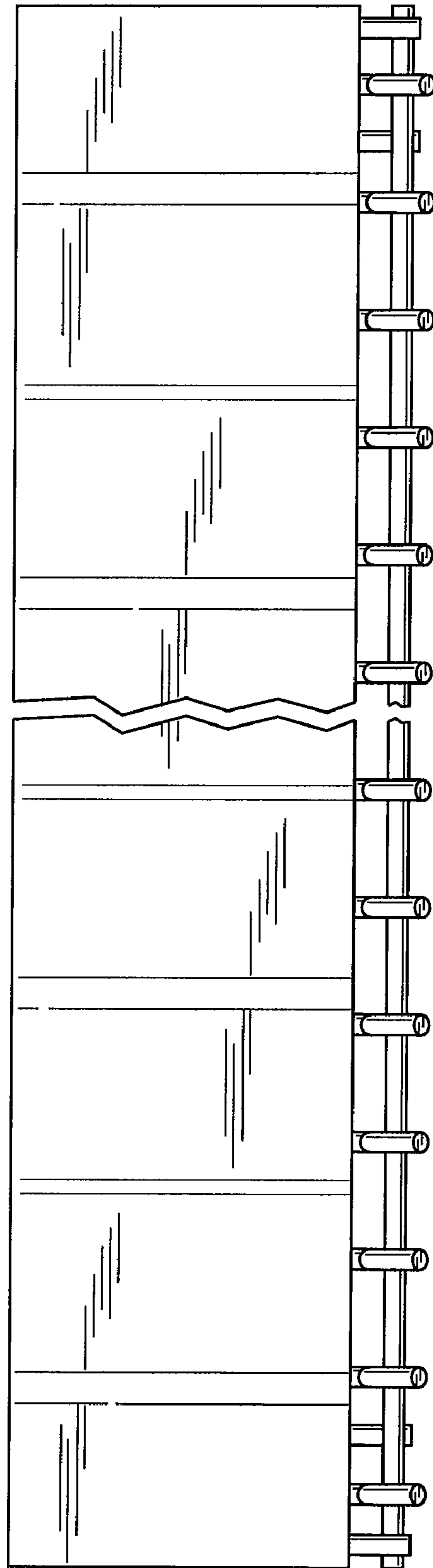


FIG. 4

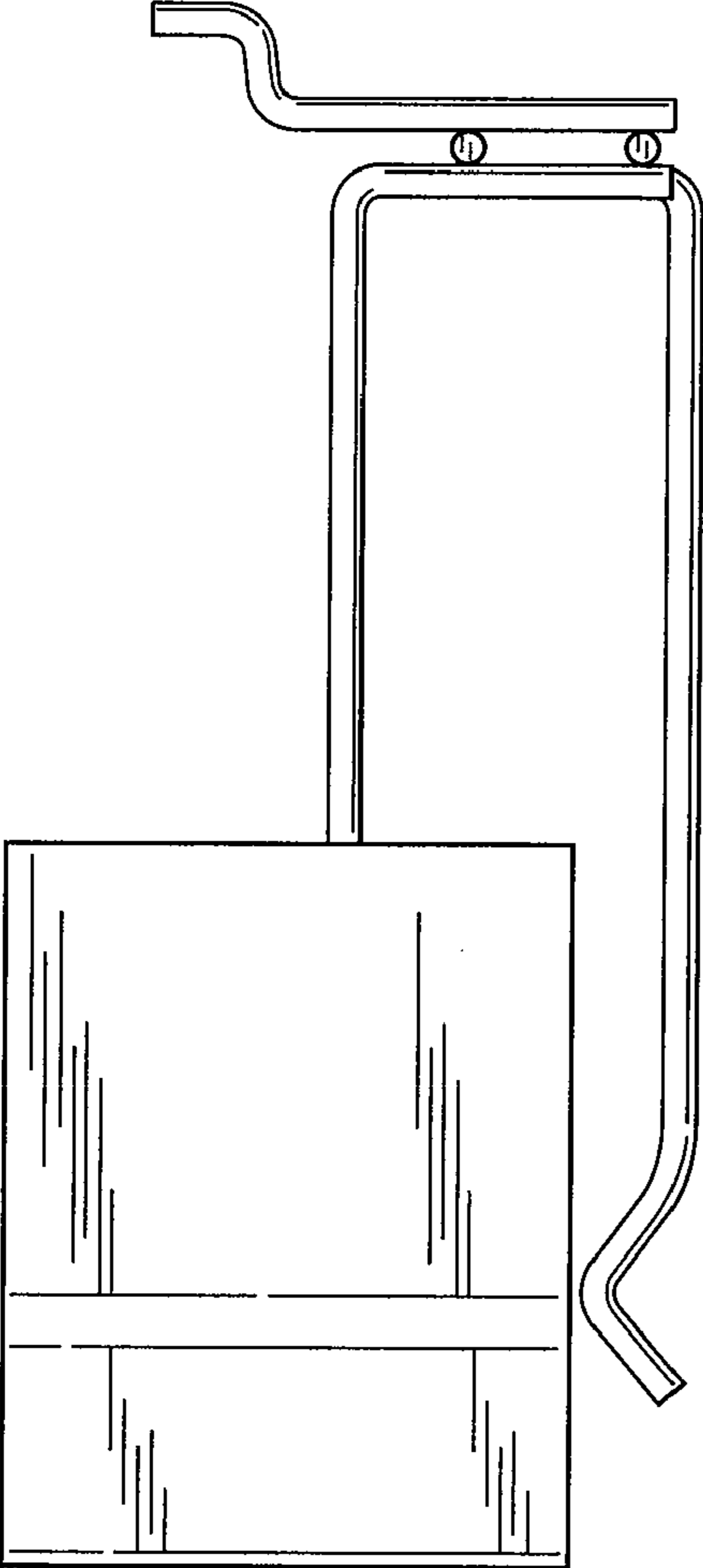


FIG. 5

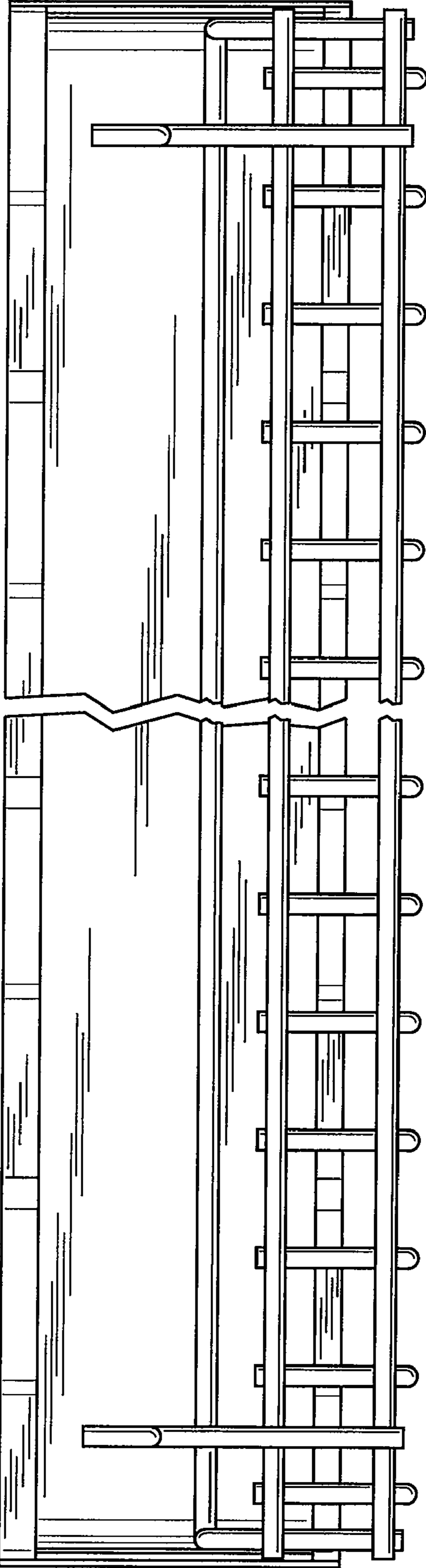


FIG. 6

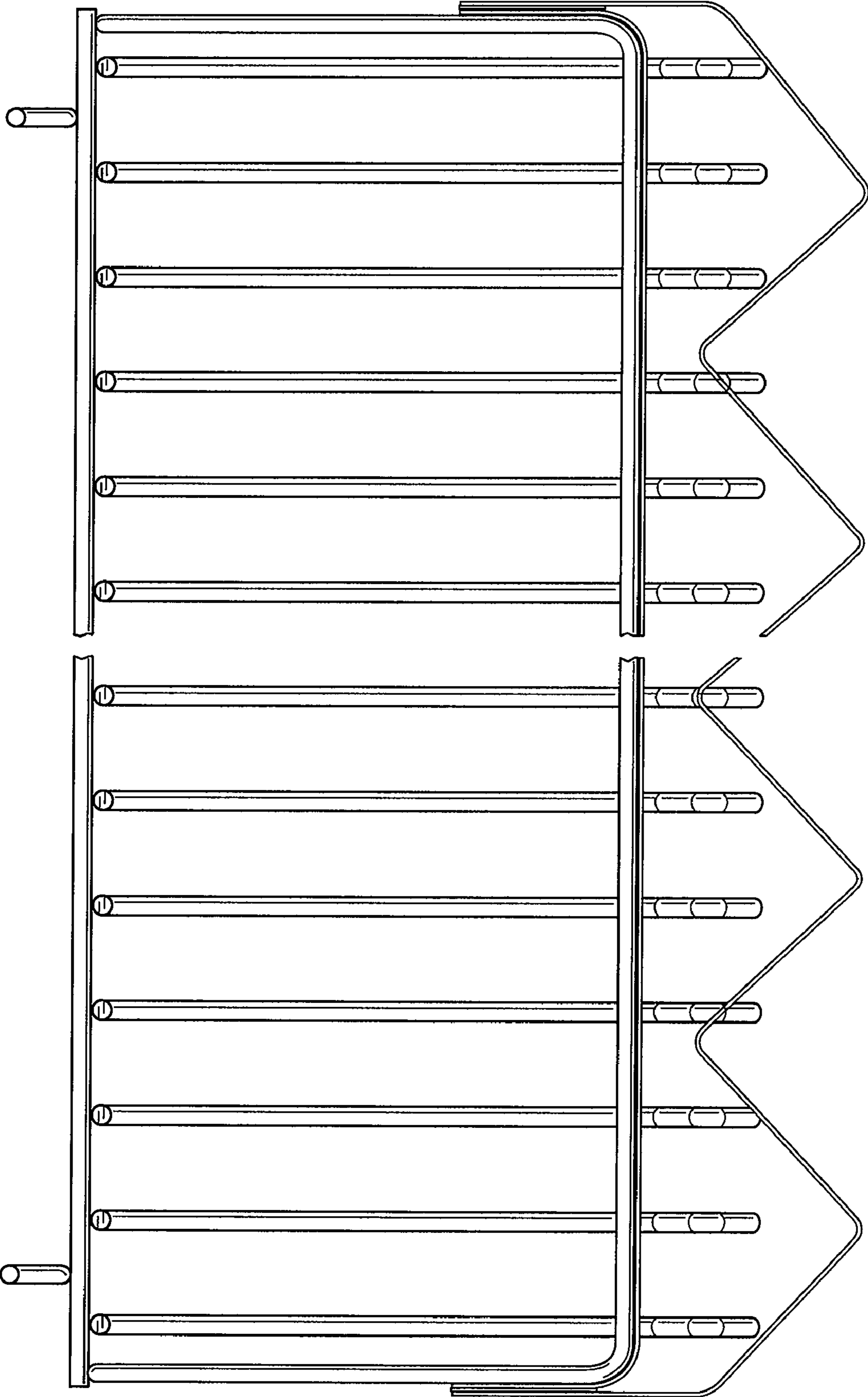


FIG. 7

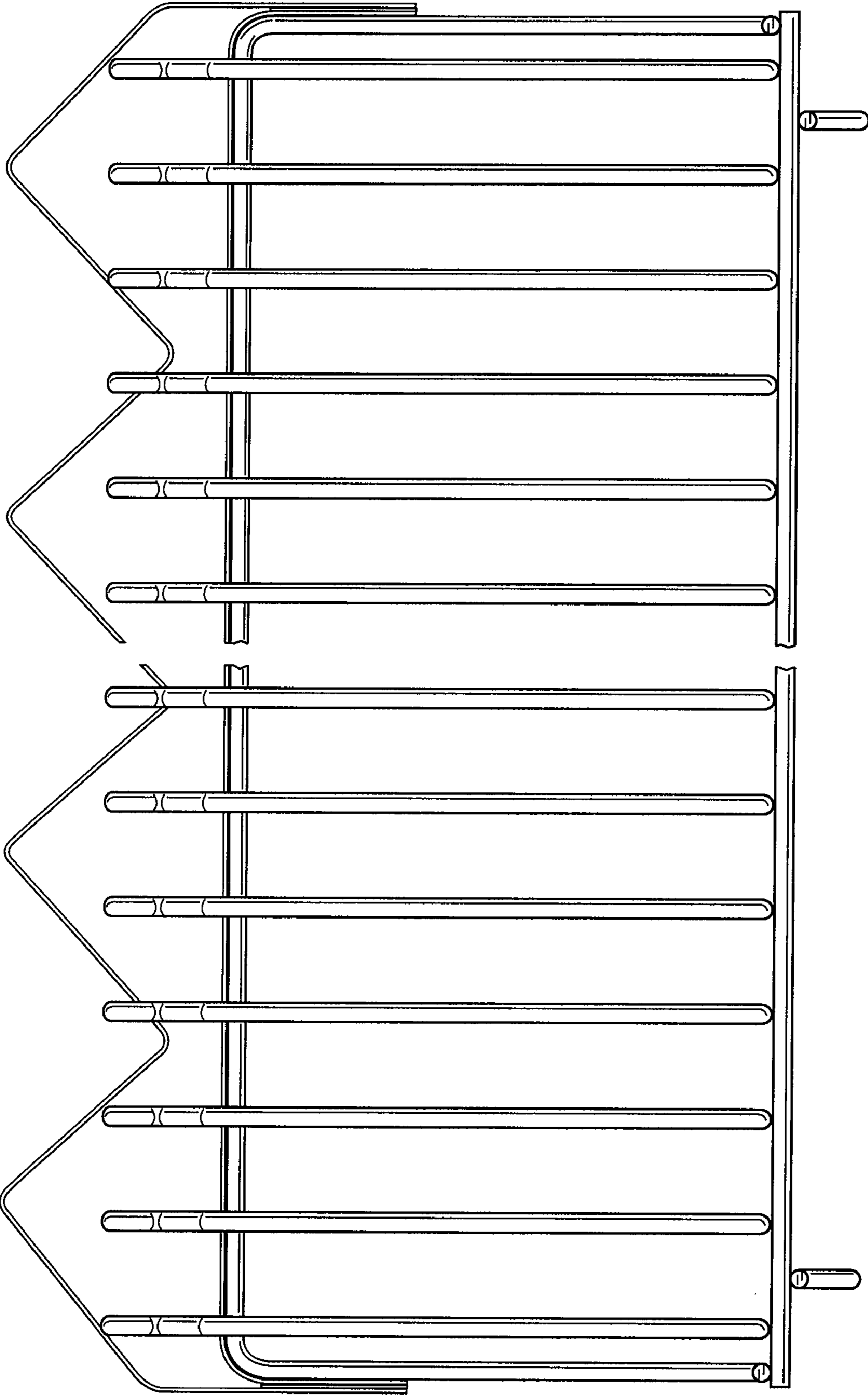


FIG. 8