



US00D636200S

(12) **United States Design Patent**  
**Yang et al.**

(10) **Patent No.:** **US D636,200 S**

(45) **Date of Patent:** **\*\* \*Apr. 19, 2011**

(54) **SOAP DISH**

(56) **References Cited**

(75) Inventors: **Frank Yang**, Rancho Palos Verdes, CA (US); **Tzu-Hao Wei**, Hacienda Heights, CA (US); **Helen L. Tang**, Rowland Heights, CA (US); **Myk Lum**, Irvine, CA (US)

U.S. PATENT DOCUMENTS

D286,355 S	*	10/1986	Bussell	.....	D6/536
D287,321 S	*	12/1986	Bussell	.....	D6/536
D306,039 S	*	2/1990	King	.....	D6/536
D341,971 S	*	12/1993	Corbin	.....	D6/536
D377,028 S	*	12/1996	Monday	.....	D6/536
D533,741 S	*	12/2006	Joseph	.....	D6/536

(73) Assignee: **simplehuman, LLC**, Torrance, CA (US)

\* cited by examiner

(\*) Notice: This patent is subject to a terminal disclaimer.

*Primary Examiner* — Brian N Vinson

(\*\*) Term: **14 Years**

(57) **CLAIM**  
The ornamental design for a soap dish, as shown and described.

(21) Appl. No.: **29/334,145**

**DESCRIPTION**

(22) Filed: **Mar. 20, 2009**

FIG. 1 is a right side elevational view of a soap dish showing our new design;

(51) **LOC (9) Cl.** ..... **23-02**

FIG. 2 is a left side elevational view thereof;

(52) **U.S. Cl.** ..... **D6/536**

FIG. 3 is a top plan view thereof;

(58) **Field of Classification Search** ..... D6/536-540, D6/532; D7/502, 550, 554.2; D9/682, 690, D9/692; 206/77.1, 557, 587, 823; 211/13.1, 211/85.4, 85.12

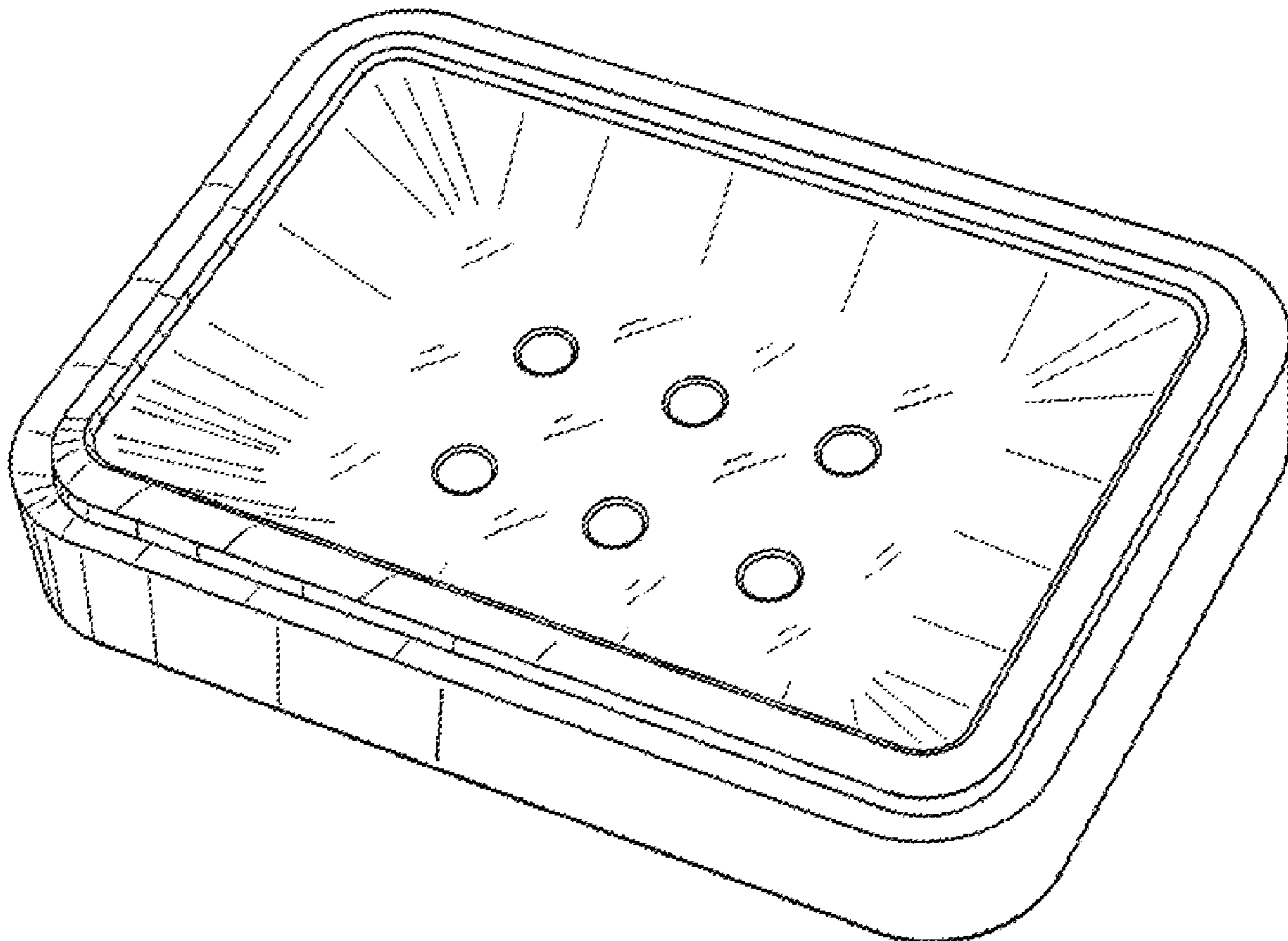
FIG. 4 is a bottom plan view thereof;

FIG. 5 is a front elevational view thereof, wherein the rear elevational view is a mirror image thereof; and,

FIG. 6 is a front, right, and top perspective view thereof.

See application file for complete search history.

**1 Claim, 6 Drawing Sheets**



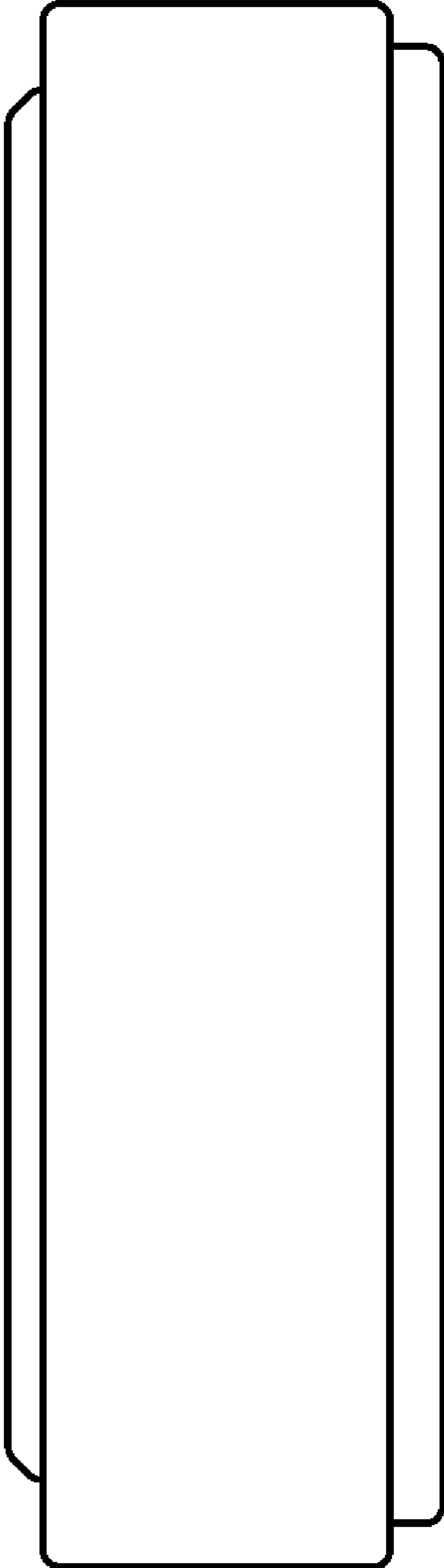


FIGURE 1

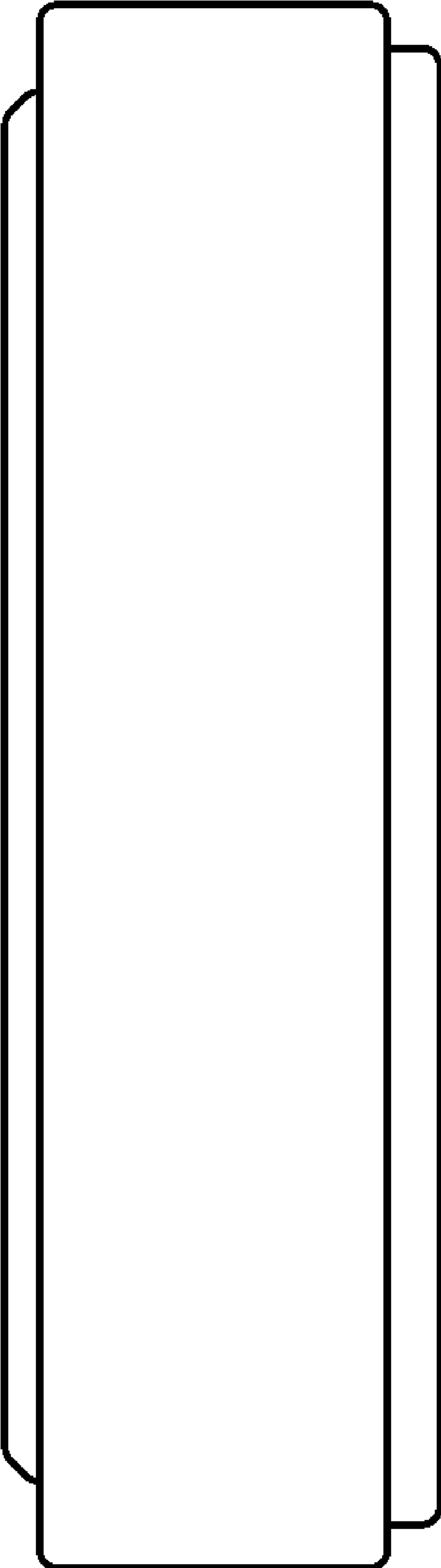


FIGURE 2

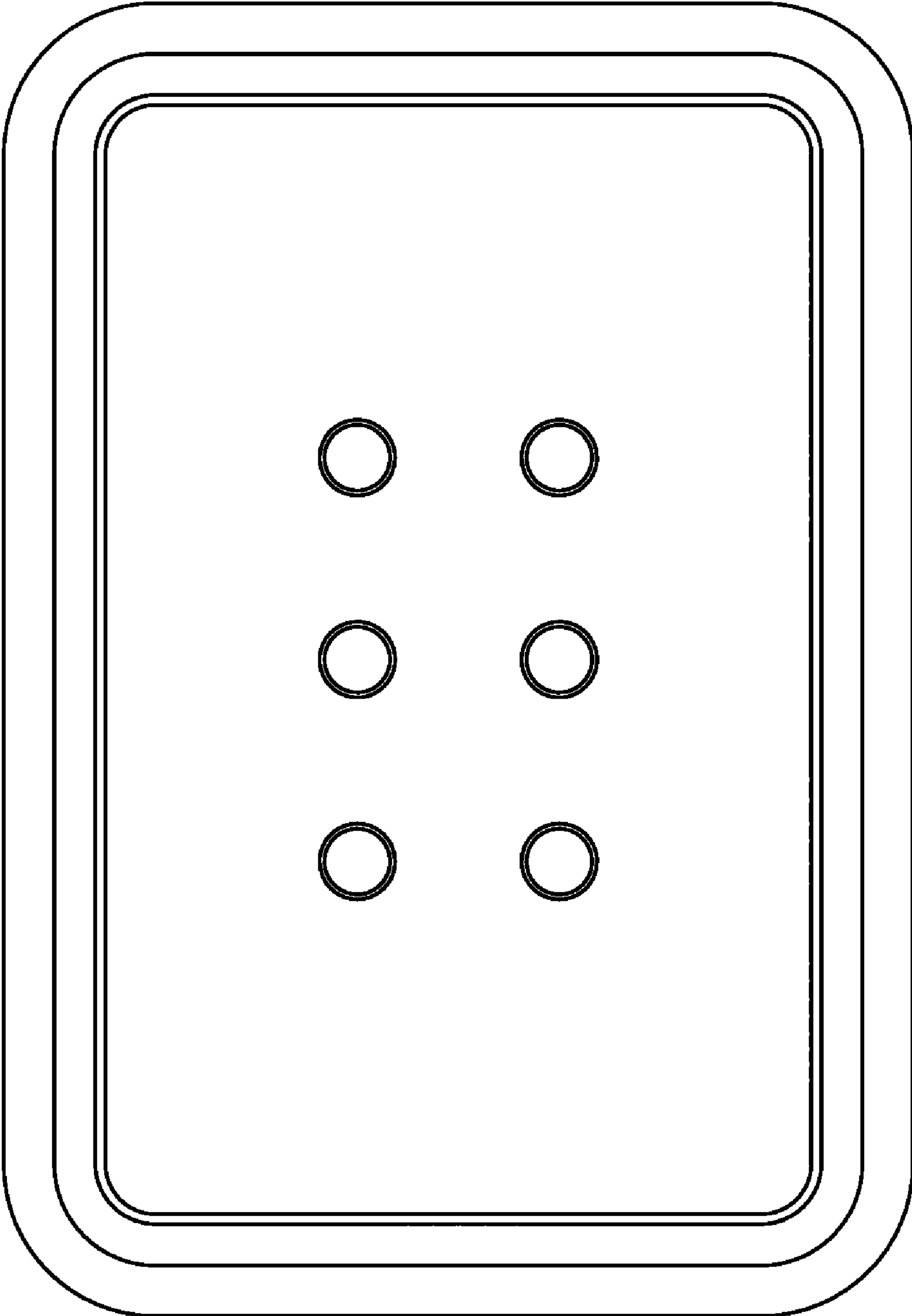


FIGURE 3

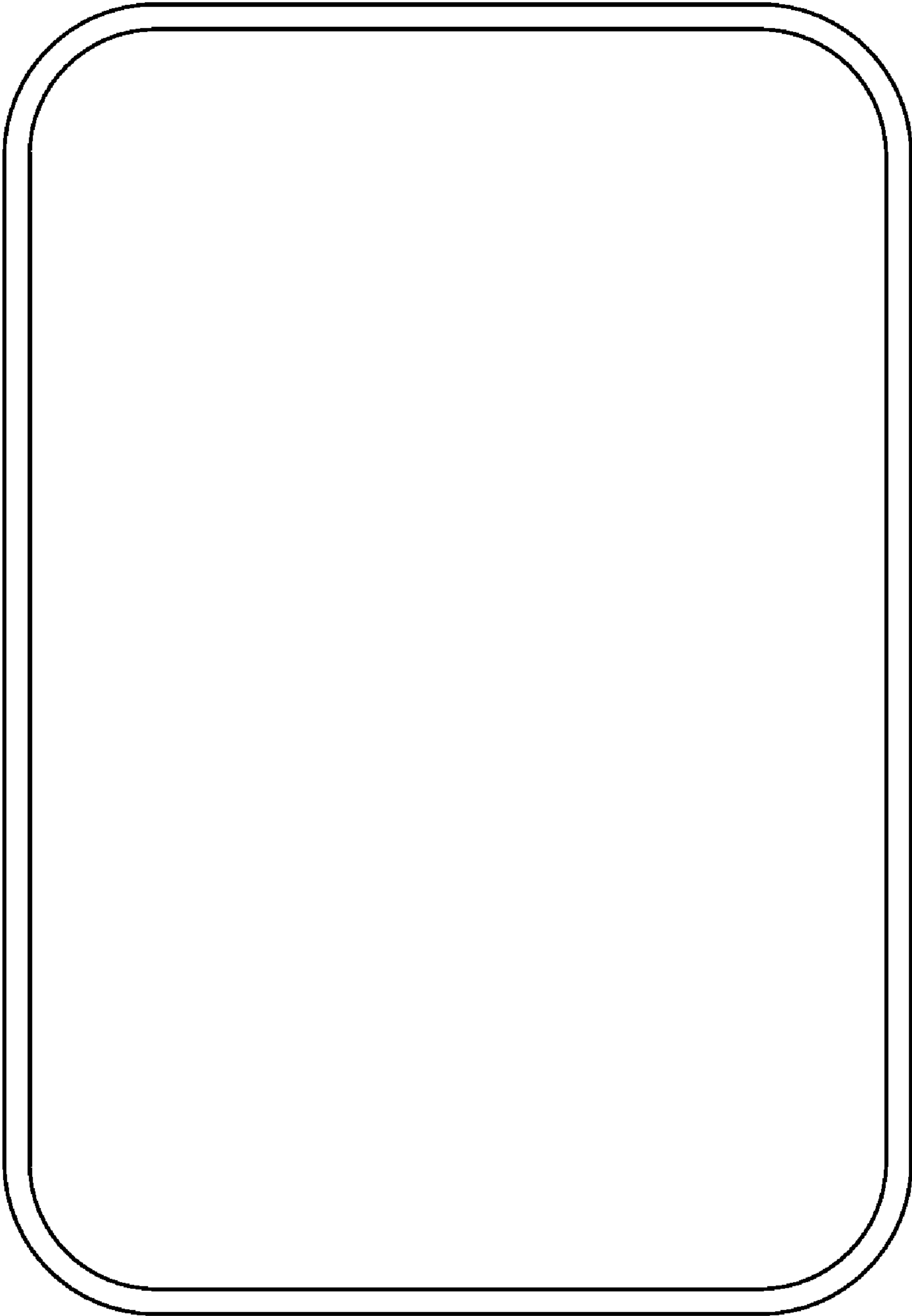


FIGURE 4

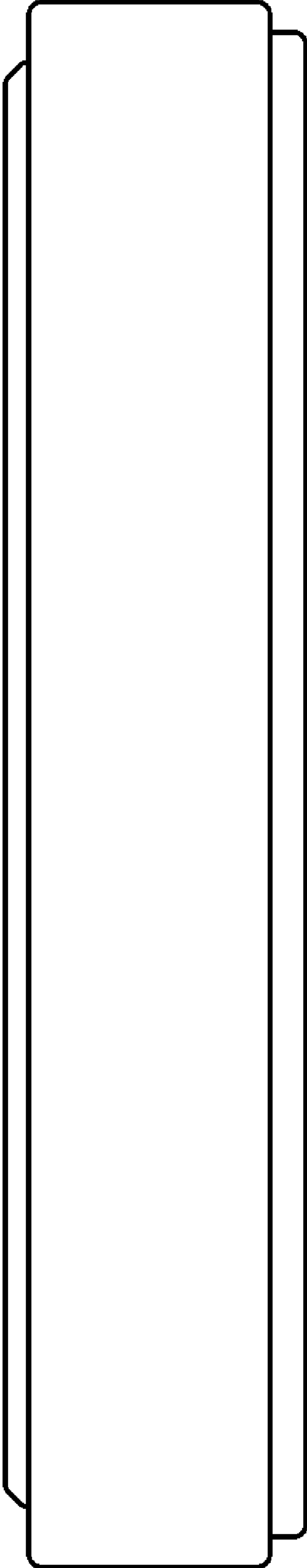


FIGURE 5

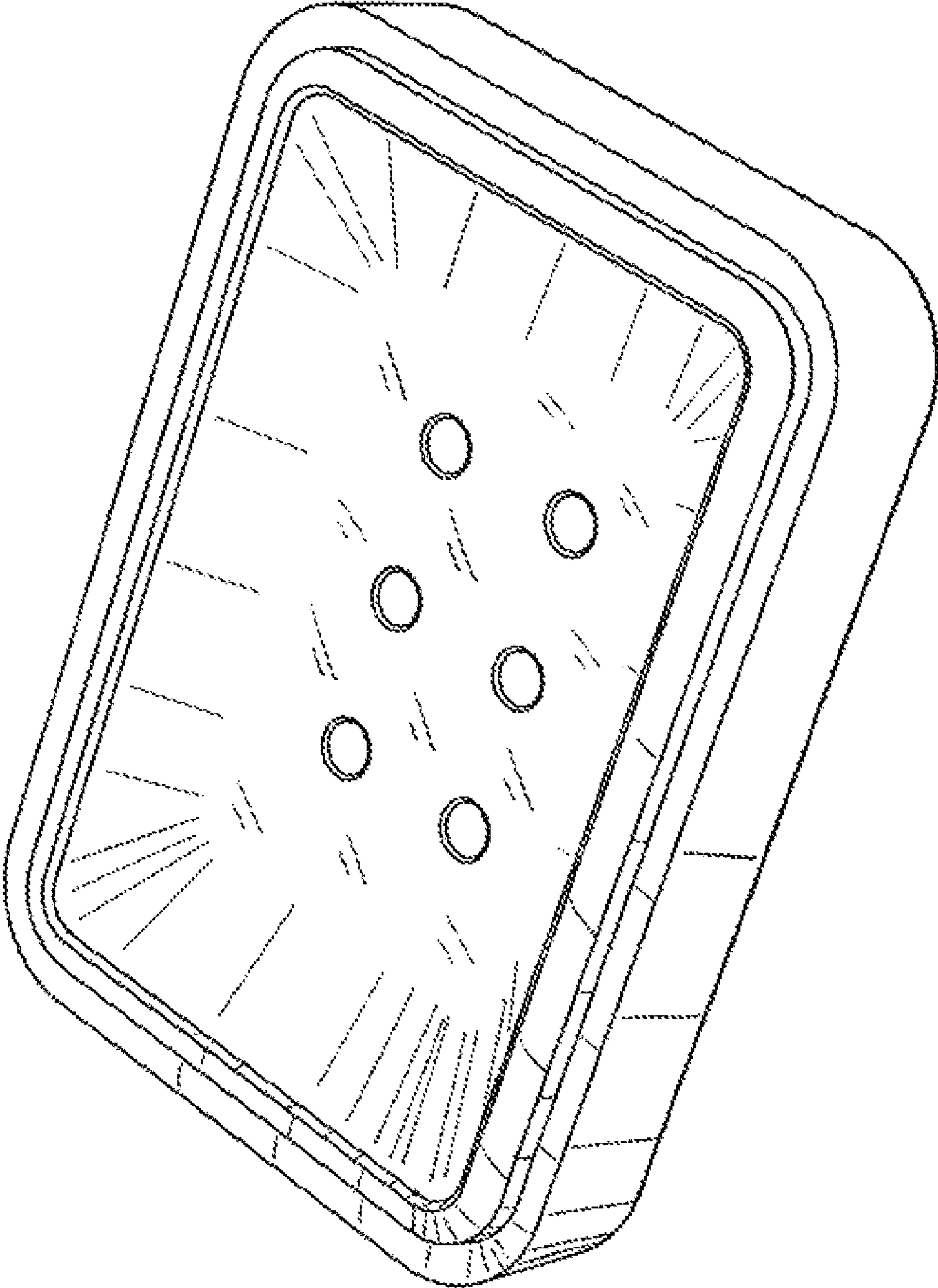


FIGURE 6