



US00D636198S

(12) **United States Design Patent**  
**Gibbs**

(10) **Patent No.:** **US D636,198 S**

(45) **Date of Patent:** **\*\* Apr. 19, 2011**

(54) **SHOWER ORGANIZER**

(76) **Inventor:** **Robert L. R. Gibbs**, Los Angeles, CA  
(US)

(\*\*) **Term:** **14 Years**

(21) **Appl. No.:** **29/381,375**

(22) **Filed:** **Dec. 17, 2010**

(51) **LOC (9) Cl.** ..... **06-06**

(52) **U.S. Cl.** ..... **D6/513; D6/567; D6/525**

(58) **Field of Classification Search** ..... D3/304,  
D3/306; 206/202, 513, 557; 211/13.1, 41.3,  
211/41.4, 86.01, 88.01, 134, 126.1, 181.1;  
248/302; 220/485, 488; D6/513, 553, 567,  
D6/525

See application file for complete search history.

(56) **References Cited**

**U.S. PATENT DOCUMENTS**

D335,232 S \* 5/1993 Whitlock ..... D6/525  
D365,232 S \* 12/1995 Briault ..... D6/513  
D392,804 S \* 3/1998 Wilkening et al. .... D6/513

D451,054 S \* 11/2001 Thom et al. .... D6/513  
7,080,416 B1 \* 7/2006 Portnell ..... D6/525  
D608,574 S \* 1/2010 Goodman et al. .... D6/513

\* cited by examiner

*Primary Examiner* — Brian N Vinson

(74) *Attorney, Agent, or Firm* — QuickPatents, Inc.; Kevin Prince

(57) **CLAIM**

I claim the ornamental design for a shower organizer, as shown and described.

**DESCRIPTION**

FIG. 1 is a perspective view of a shower organizer, showing the new design;

FIG. 2 is a top plan view thereof;

FIG. 3 is a front elevational view thereof;

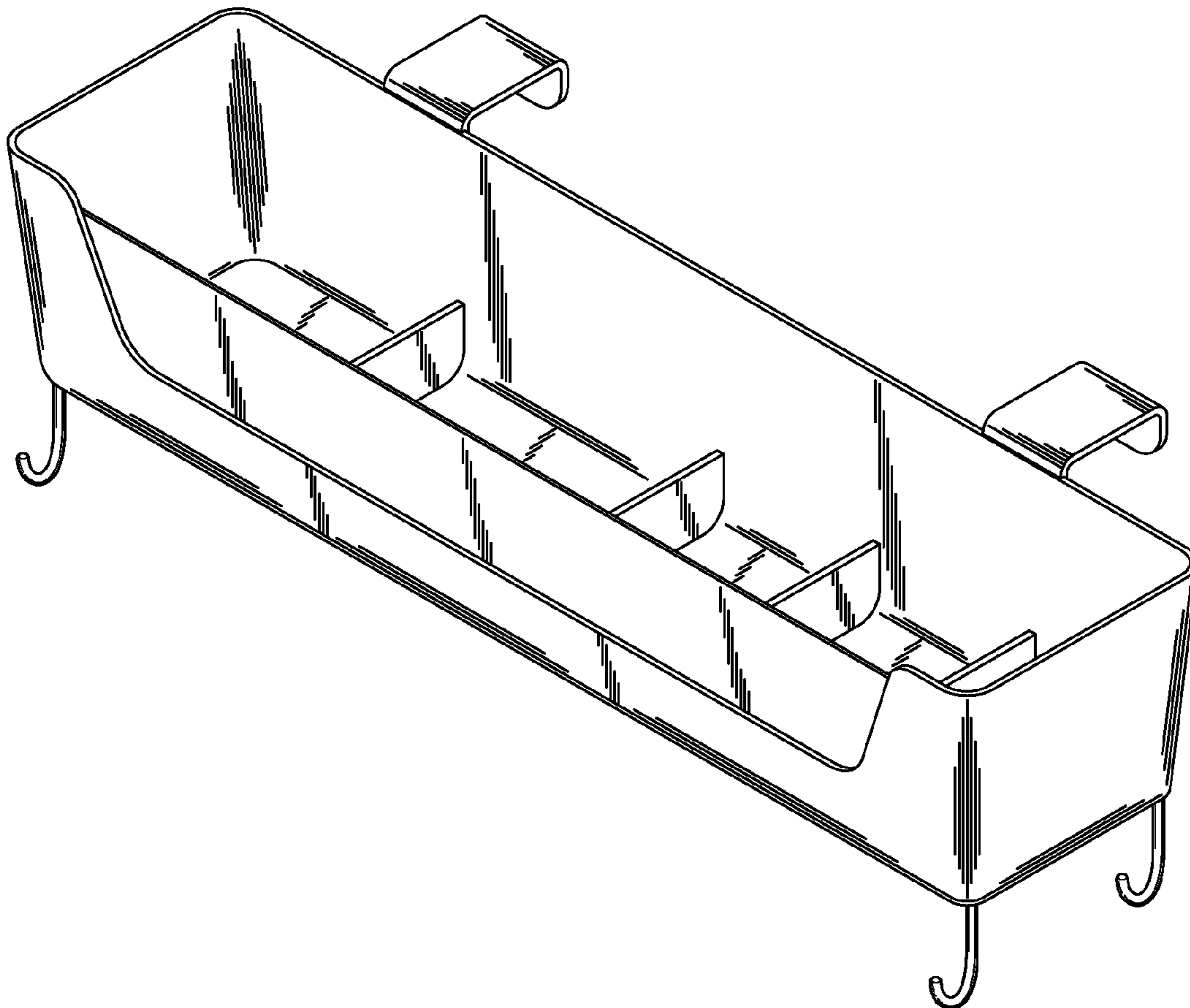
FIG. 4 is a bottom plan view thereof;

FIG. 5 is a rear elevational view thereof;

FIG. 6 is a right-side elevational view thereof; and,

FIG. 7 is a left-side elevational view thereof.

**1 Claim, 3 Drawing Sheets**



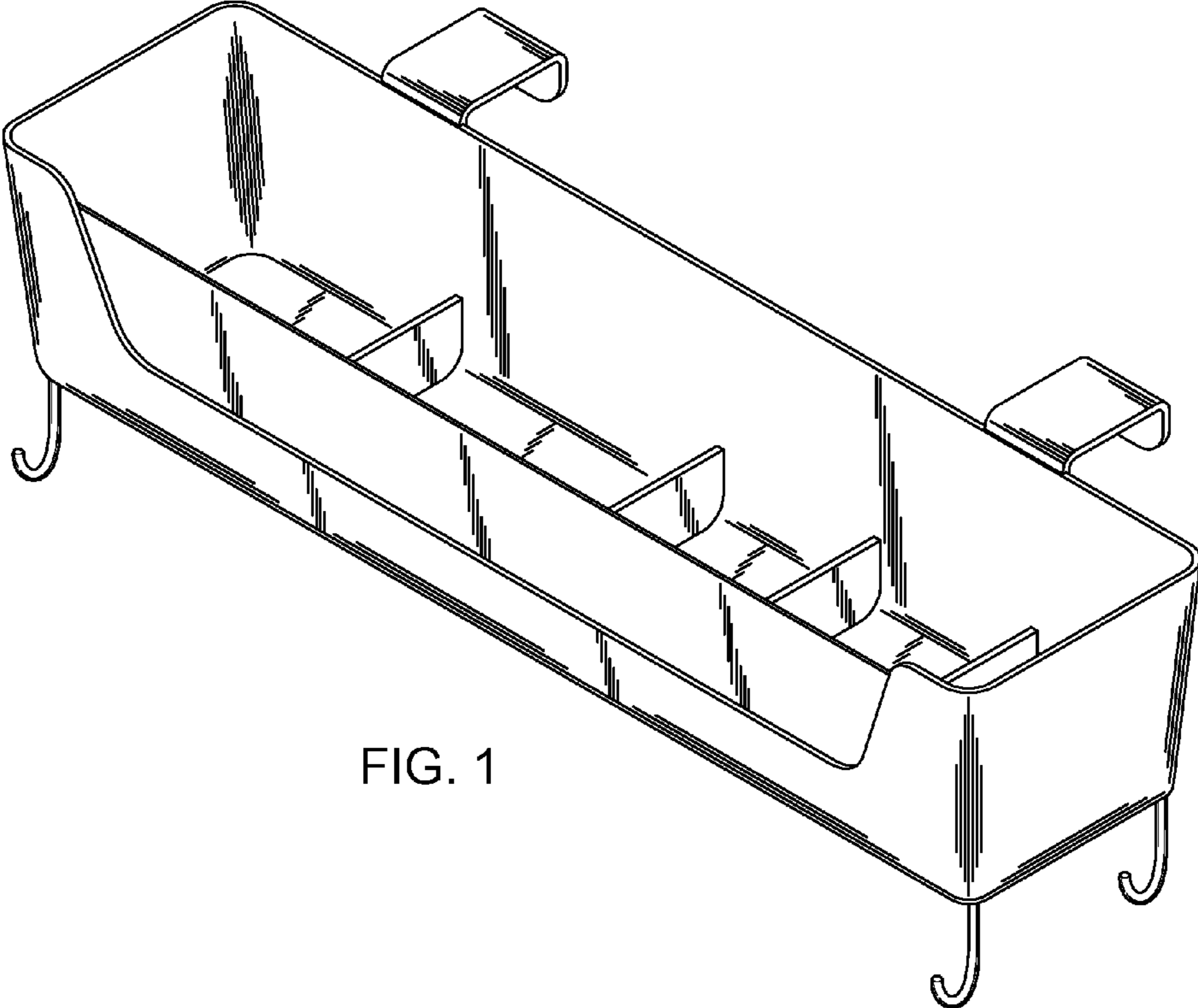


FIG. 1

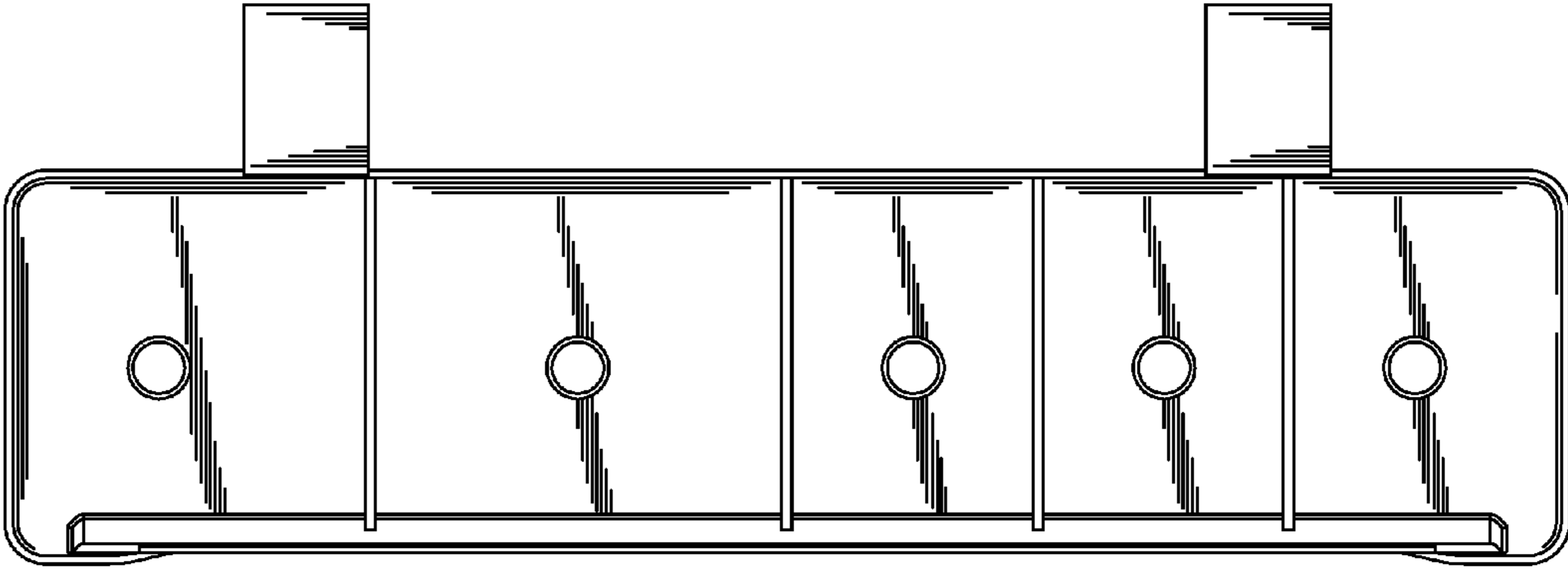


FIG. 2

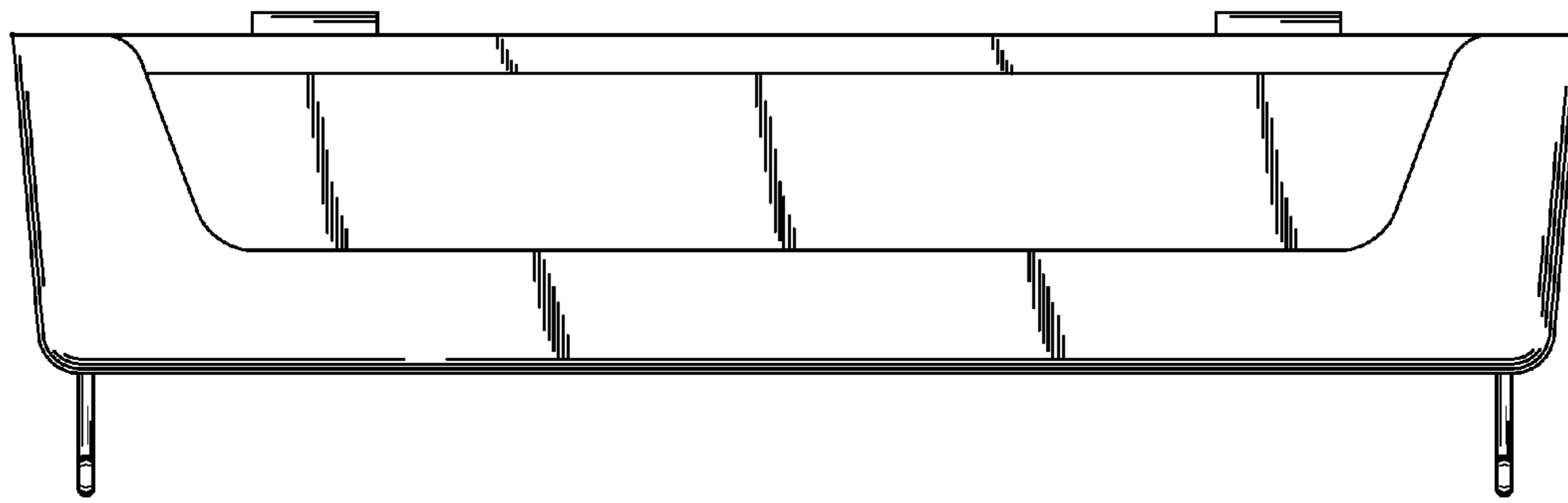


FIG. 3

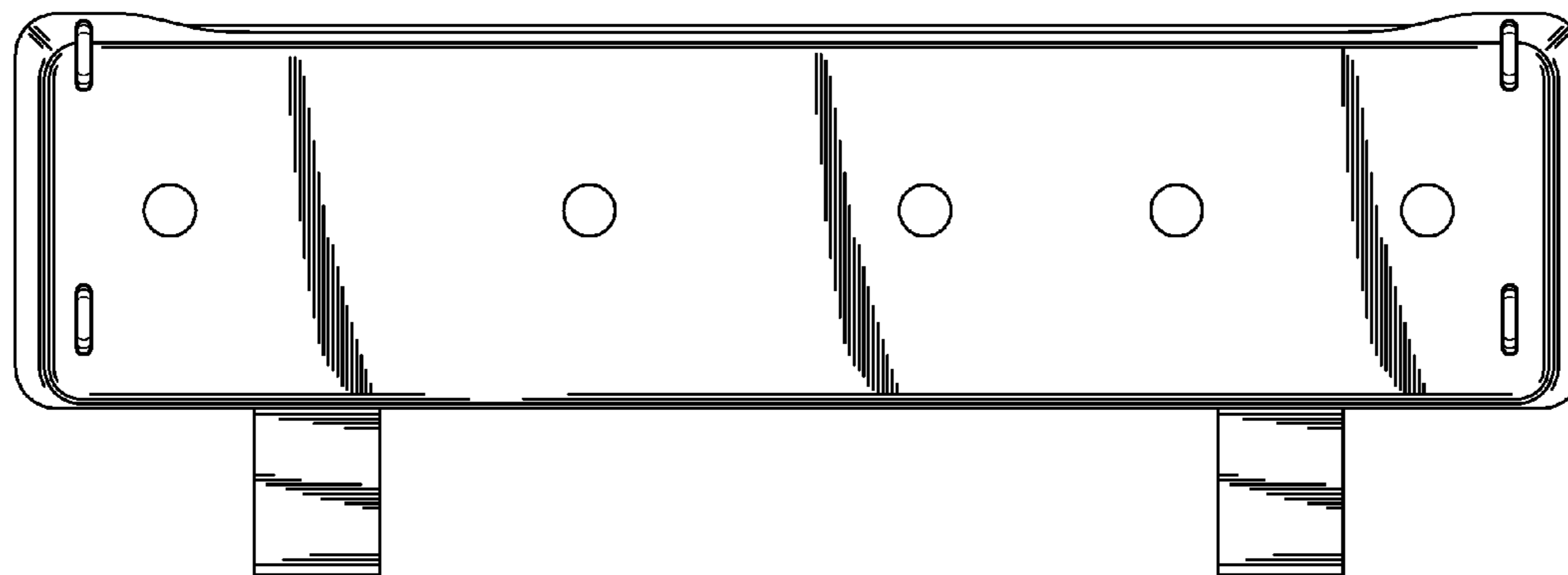


FIG. 4

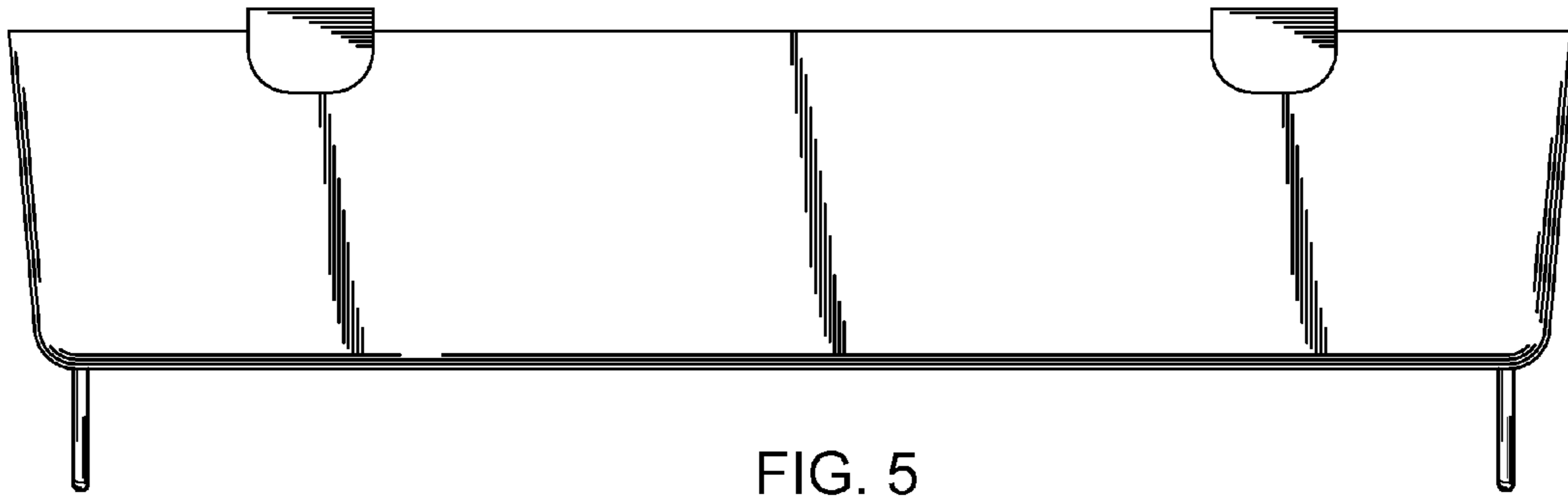


FIG. 5

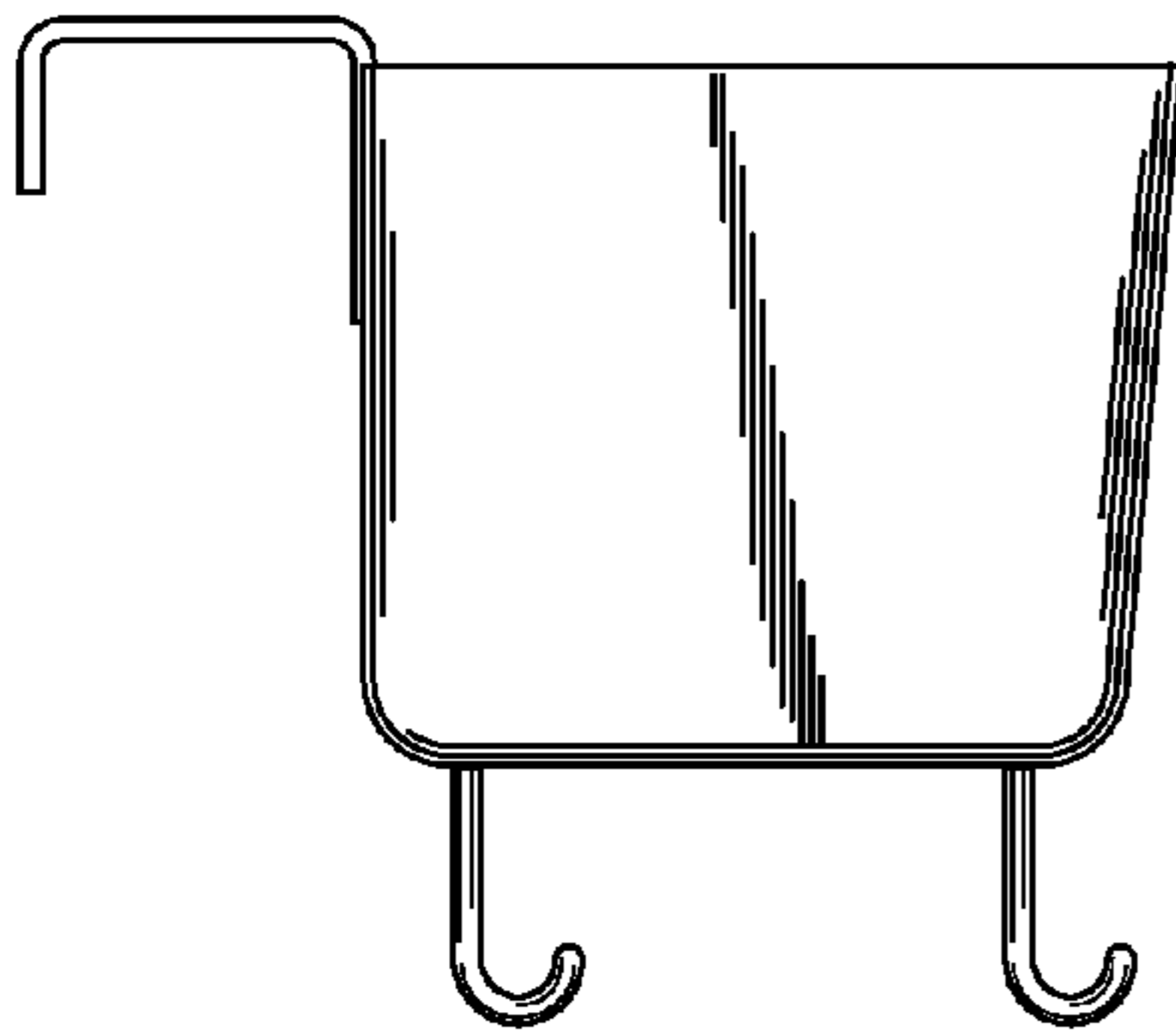


FIG. 6

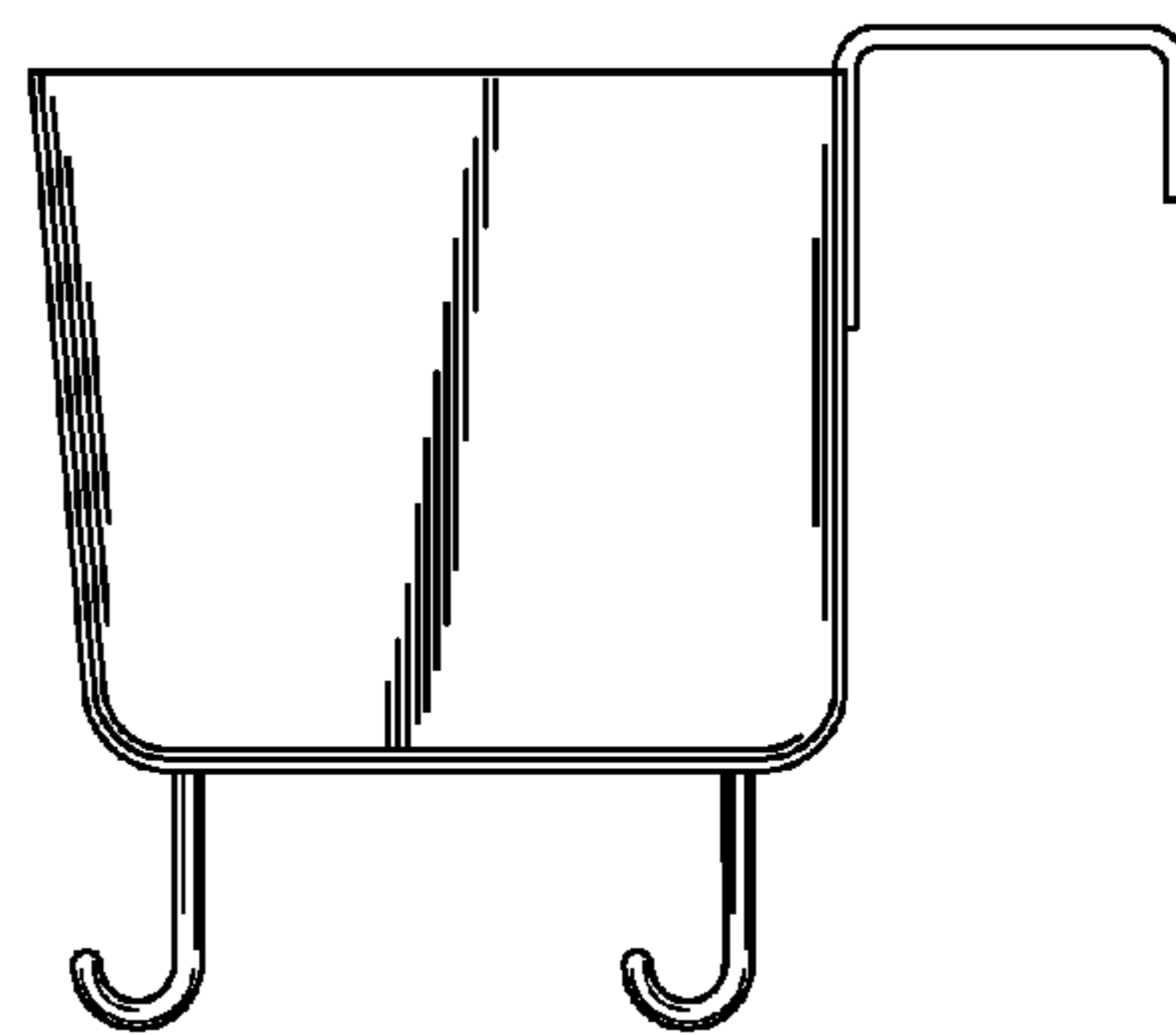


FIG. 7