



US00D636197S

(12) **United States Design Patent**  
**Lee**

(10) **Patent No.:** **US D636,197 S**  
(45) **Date of Patent:** **\*\* Apr. 19, 2011**

(54) **SHELVING SYSTEM**

(75) Inventor: **James Lee**, Old Tappan, NJ (US)

(73) Assignee: **Organize-It-All Inc.**, Teterboro, NJ (US)

(\*\*) Term: **14 Years**

(21) Appl. No.: **29/376,616**

(22) Filed: **Oct. 8, 2010**

(51) **LOC (9) Cl.** ..... **06-04**

(52) **U.S. Cl.** ..... **D6/509; D6/464**

(58) **Field of Classification Search** ..... D6/396,  
D6/449, 450, 453-469, 471, 473, 474, 477,  
D6/479, 499, 509; 211/1, 13.1, 41.1, 42,  
211/43, 49.1, 50, 52, 53, 55, 56, 58, 59.2,  
211/59.4, 60.1, 70.3, 85.2, 85.8, 90.03, 134,  
211/135, 144, 153, 163, 164, 169, 186, 189;  
108/105, 108

See application file for complete search history.

(56) **References Cited**

**U.S. PATENT DOCUMENTS**

D162,990 S \* 4/1951 Roeder ..... D6/463  
D180,617 S \* 7/1957 Paterson ..... D6/464  
2,940,599 A \* 6/1960 Gentner ..... 211/41.1  
D433,846 S \* 11/2000 Chang ..... D6/474

D521,276 S \* 5/2006 Lenger ..... D6/474  
D588,840 S \* 3/2009 Dretzka ..... D6/462  
D614,421 S \* 4/2010 Sexton ..... D6/479  
D623,446 S \* 9/2010 Calco ..... D6/499

\* cited by examiner

*Primary Examiner* — Mary Ann Calabrese

(74) *Attorney, Agent, or Firm* — Frommer Lawrence & Haug LLP; Ronald R. Santucci

(57) **CLAIM**

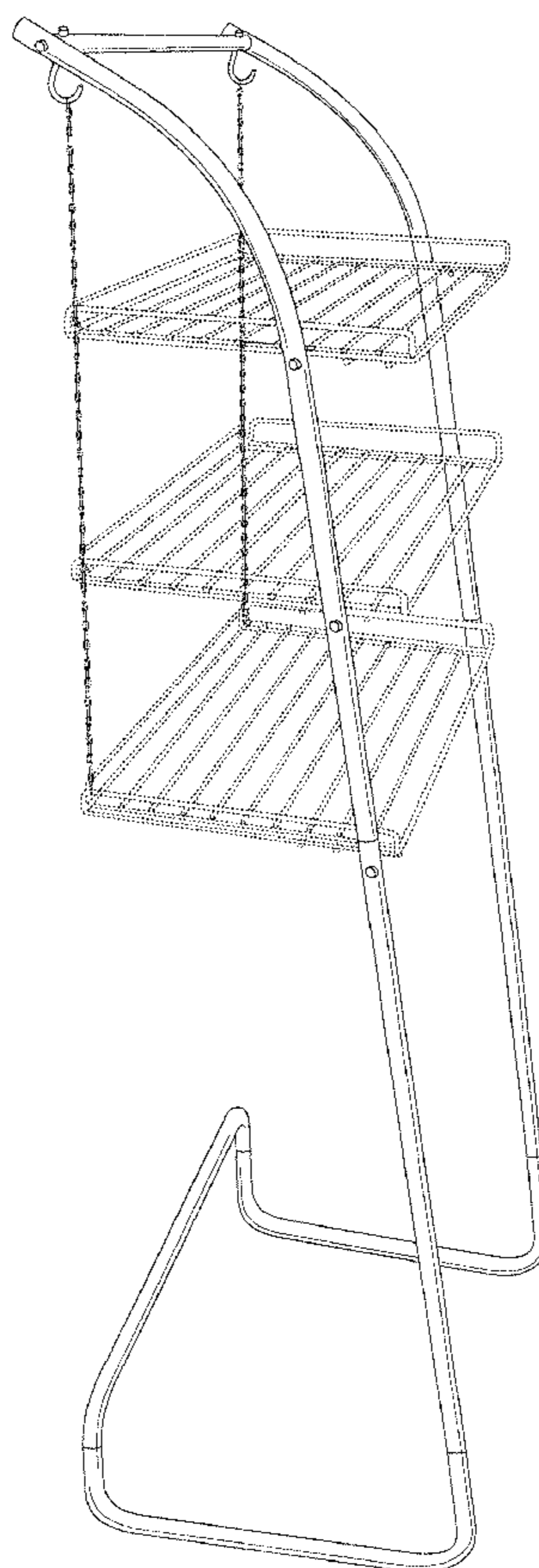
The ornamental design for a shelving system, as shown and described.

**DESCRIPTION**

FIG. 1 is a front elevation view of a shelving system showing my new design;  
FIG. 2 is a rear elevation view thereof;  
FIG. 3 is an enlarged right side elevation view thereof, the left said elevation view being a mirror image;  
FIG. 4 is a top plan view thereof;  
FIG. 5 is a bottom plan view thereof; and,  
FIG. 6 is a perspective view thereof.

The broken line showing of the shelves is for the purpose of illustrating environmental structure and forms no part of the claimed design

**1 Claim, 5 Drawing Sheets**



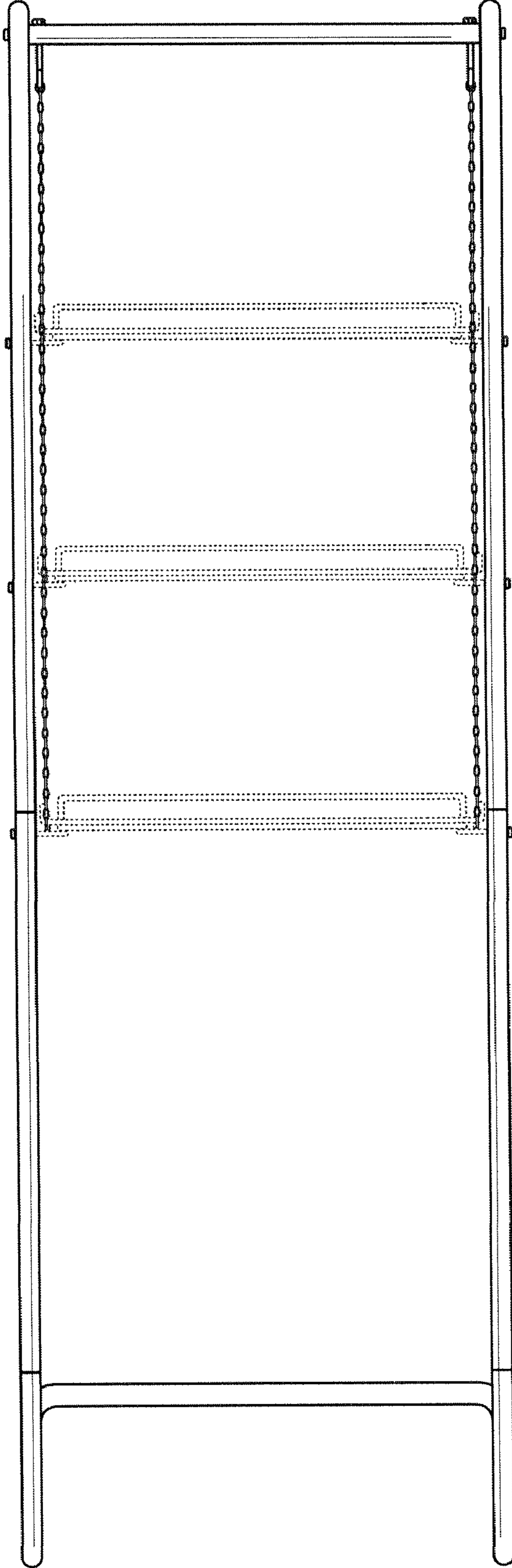


Fig. 1

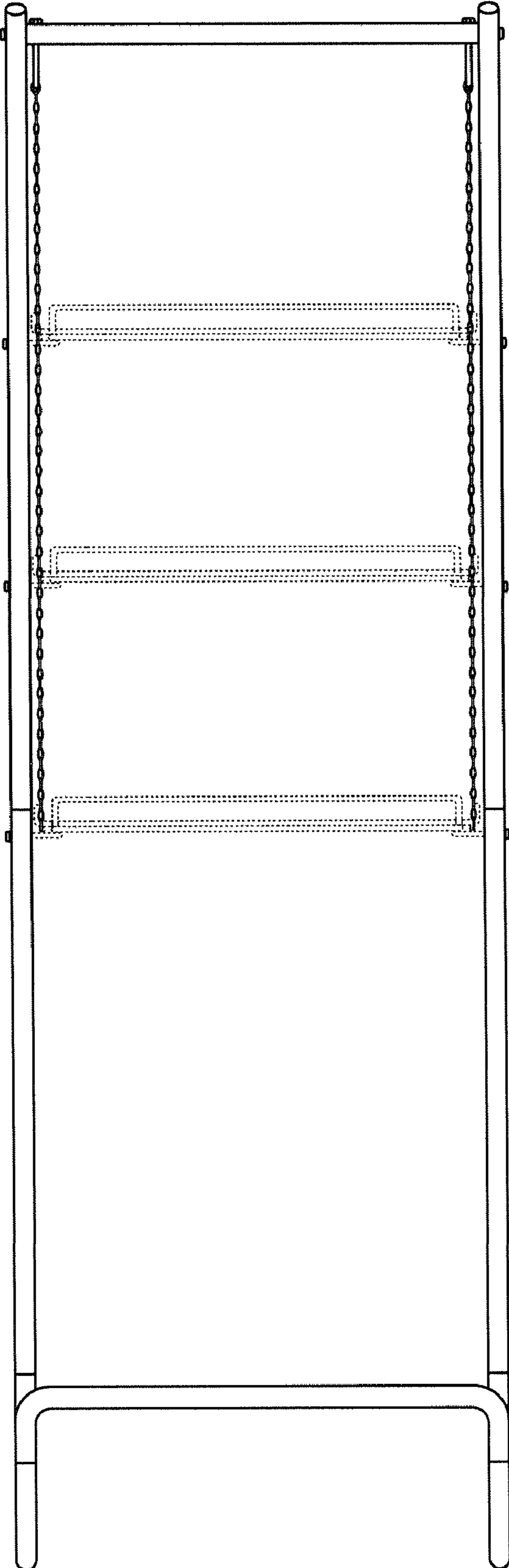


Fig. 2

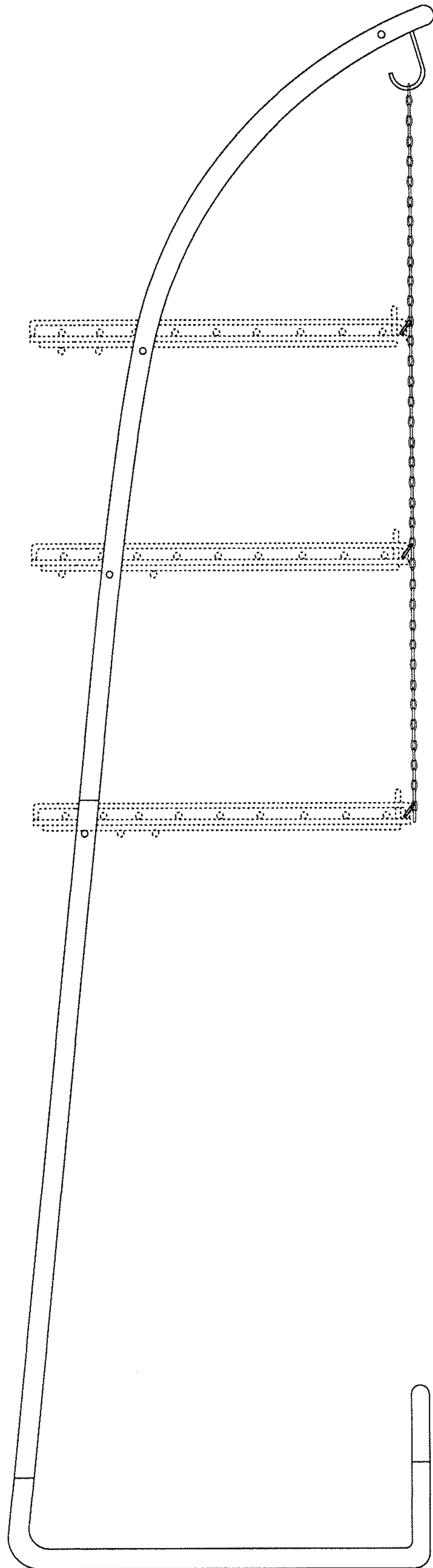


Fig. 3

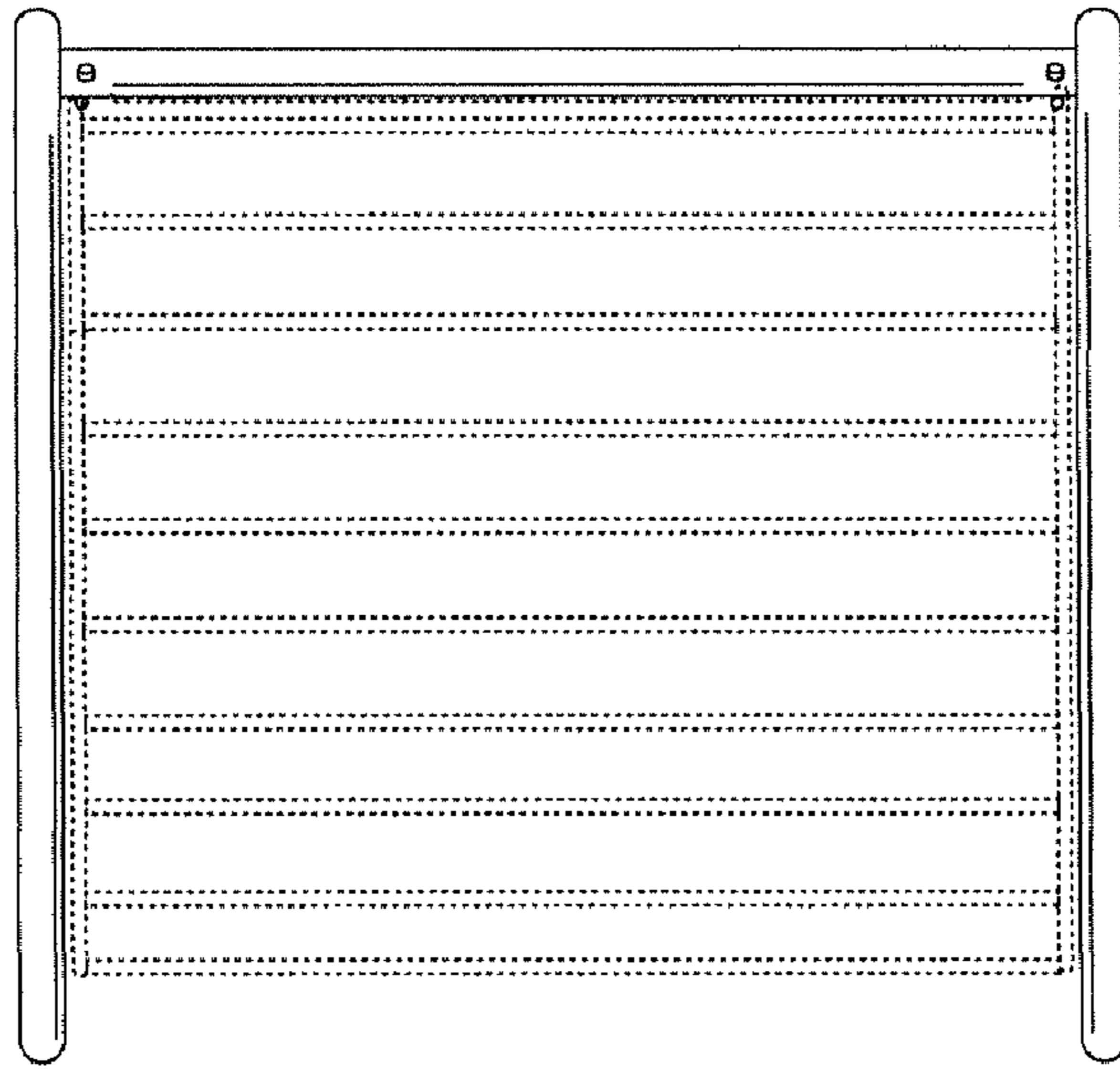


Fig. 4

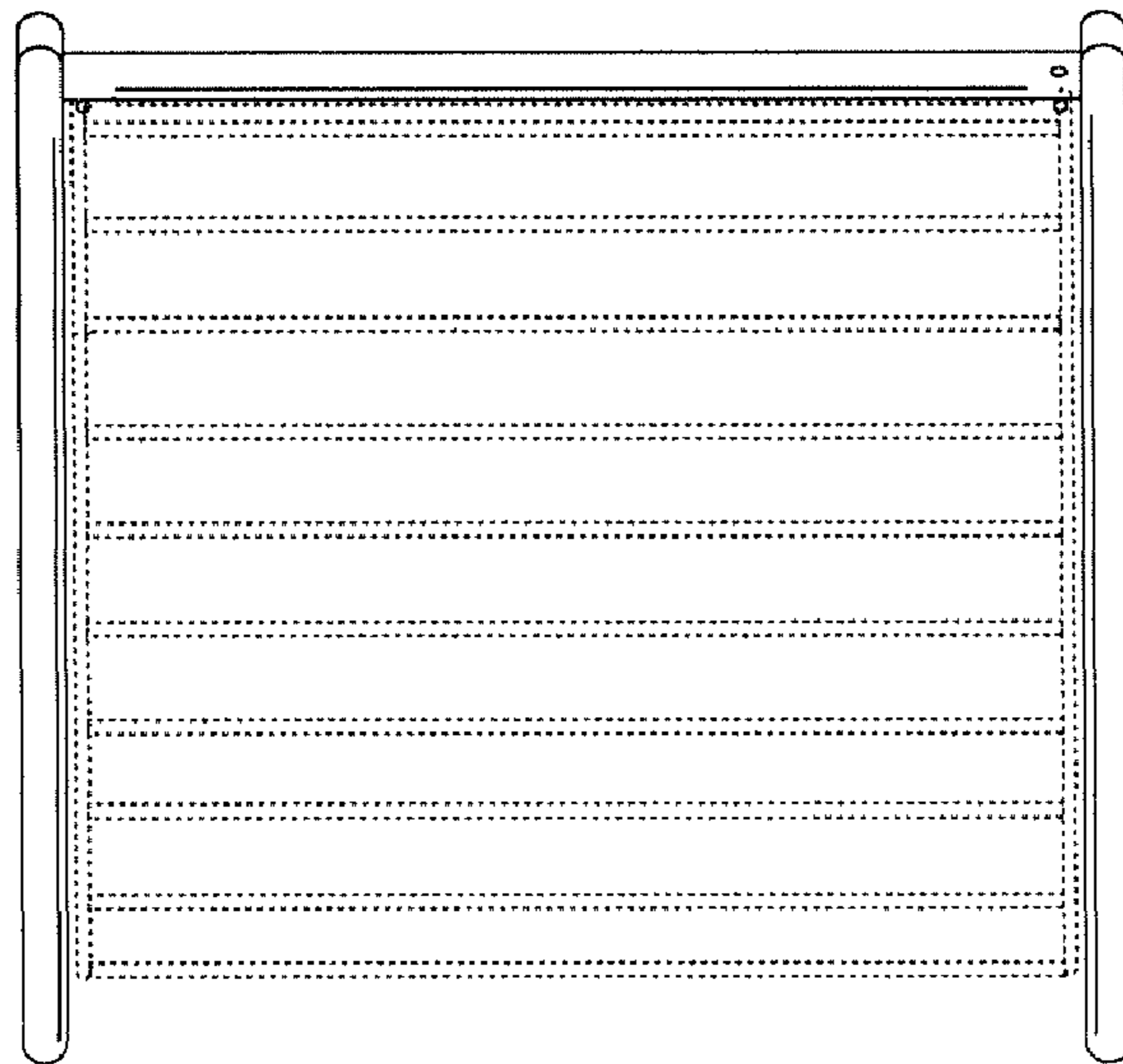


Fig. 5



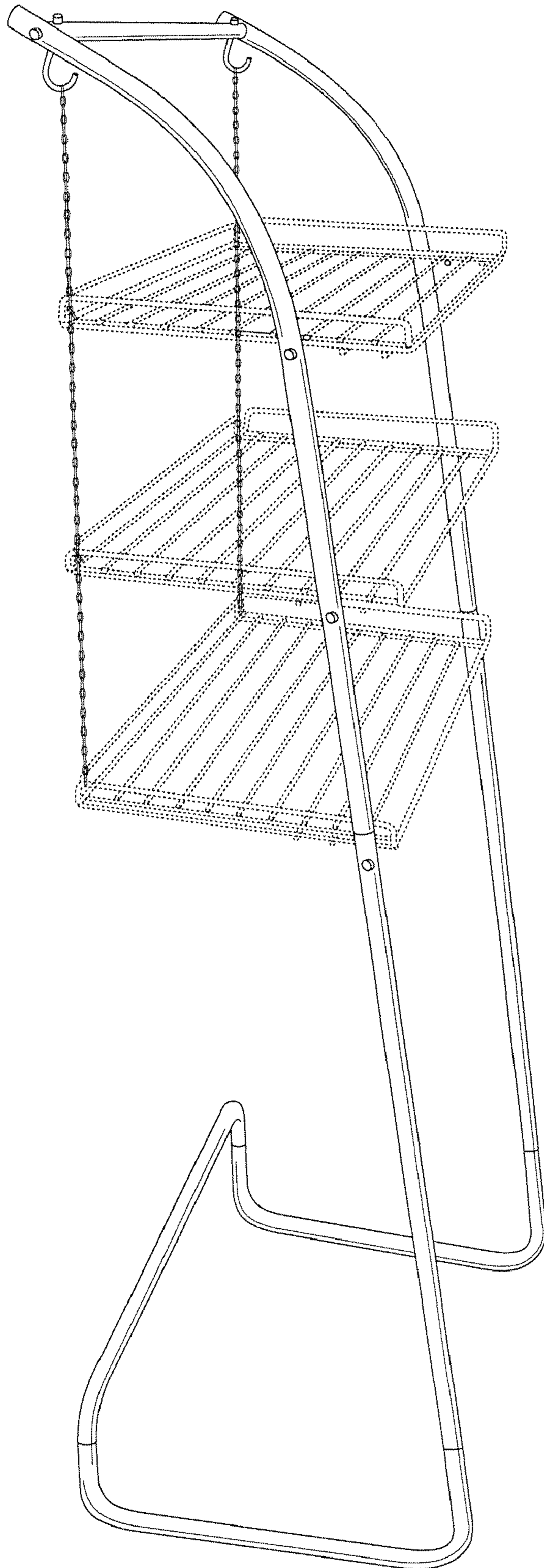


Fig. 6