



US00D636196S

(12) **United States Design Patent**
Hickman et al.

(10) **Patent No.:** **US D636,196 S**
(45) **Date of Patent:** **** Apr. 19, 2011**

(54) **FOOTREST**

(75) Inventors: **Jeff Hickman**, Evans, GA (US); **Travis Lyons**, North Augusta, SC (US)

(73) Assignee: **Husqvarna Consumer Outdoor Products N.A., Inc.**, Charlotte, NC (US)

(**) Term: **14 Years**

(21) Appl. No.: **29/354,220**

(22) Filed: **Jan. 21, 2010**

(51) **LOC (9) Cl.** **06-01**

(52) **U.S. Cl.** **D6/501**

(58) **Field of Classification Search** D6/349–350,
D6/355, 364–365, 501, 601; 297/175, 461–462,
297/423.1–423.24, 423.39, 423.41; D12/203
See application file for complete search history.

(56) **References Cited**

U.S. PATENT DOCUMENTS

D313,521	S	*	1/1991	Hassel et al.	D6/501
5,201,568	A	*	4/1993	Christensen, Jr.	297/423.46
D353,636	S	*	12/1994	Le Roux	D21/671
D367,968	S	*	3/1996	Hatcher	D6/353
D371,462	S	*	7/1996	Grossmith	D6/349
5,544,941	A	*	8/1996	Campbell et al.	297/423.45
D393,373	S	*	4/1998	Acosta	D6/349
6,089,667	A	*	7/2000	Hobbs	297/423.12

D536,290	S	*	2/2007	Yeh	D12/203
D560,260	S	*	1/2008	Flentye et al.	D21/694
2009/0189432	A1	*	7/2009	Anikin	297/423.41

* cited by examiner

Primary Examiner — Elizabeth Albert

Assistant Examiner — Kelley A Donnelly

(74) *Attorney, Agent, or Firm* — Charles L. Moore; Moore & Van Allen PLLC

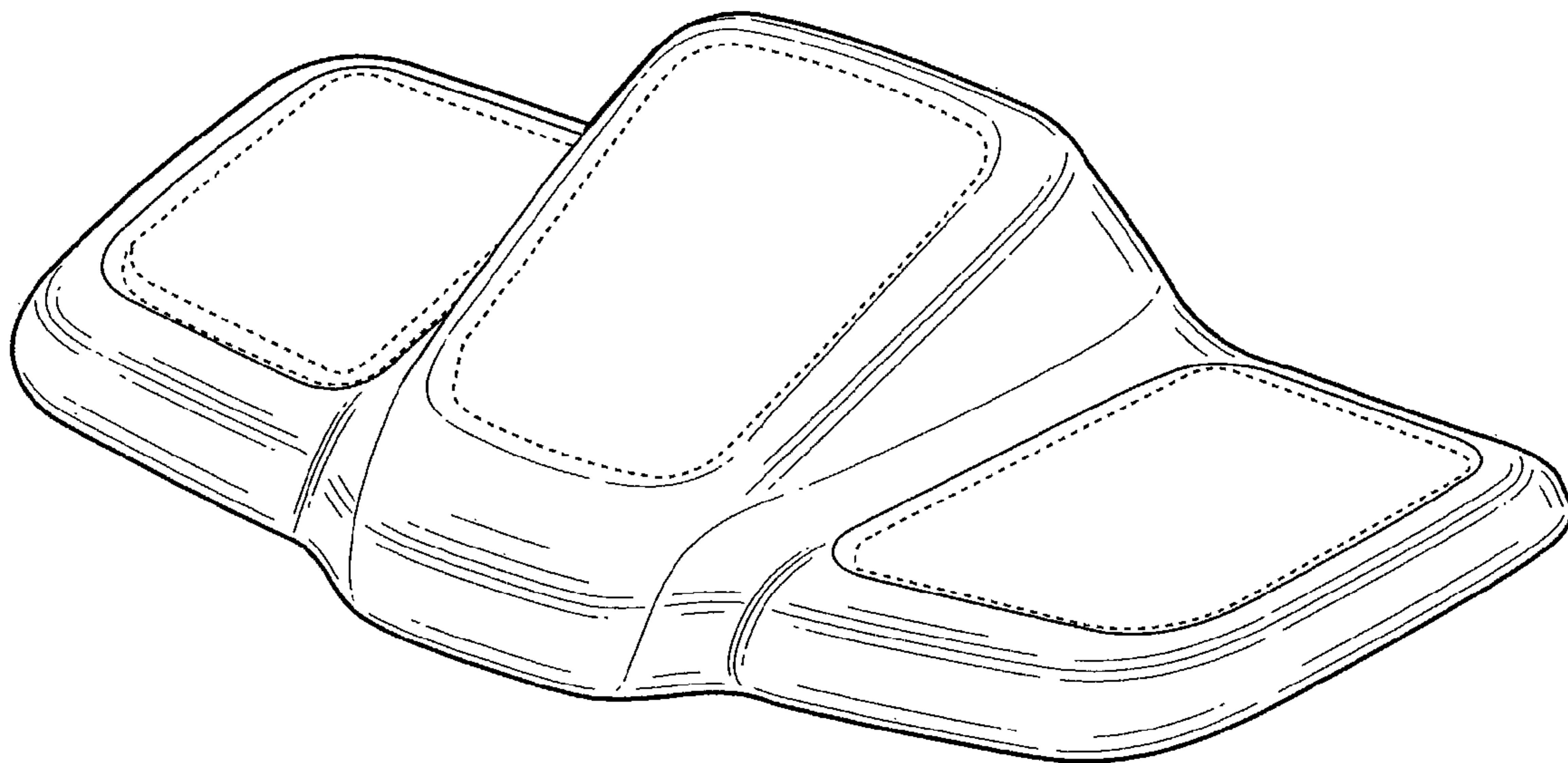
(57) **CLAIM**

The ornamental design for a footrest, as shown and described.

DESCRIPTION

FIG. 1 is a perspective view of our new design for a footrest. FIG. 2 is a front elevation view of the footrest. FIG. 3 is a rear elevation view of the footrest. FIG. 4 is a top plan view of the footrest. FIG. 5 is a bottom plan view of the footrest. FIG. 6 is a left side elevation view of the footrest; and, FIG. 7 is a right side elevation view of the footrest. The broken line portions of the drawings represent environmental structure only and do not form part of the claimed design.

1 Claim, 7 Drawing Sheets



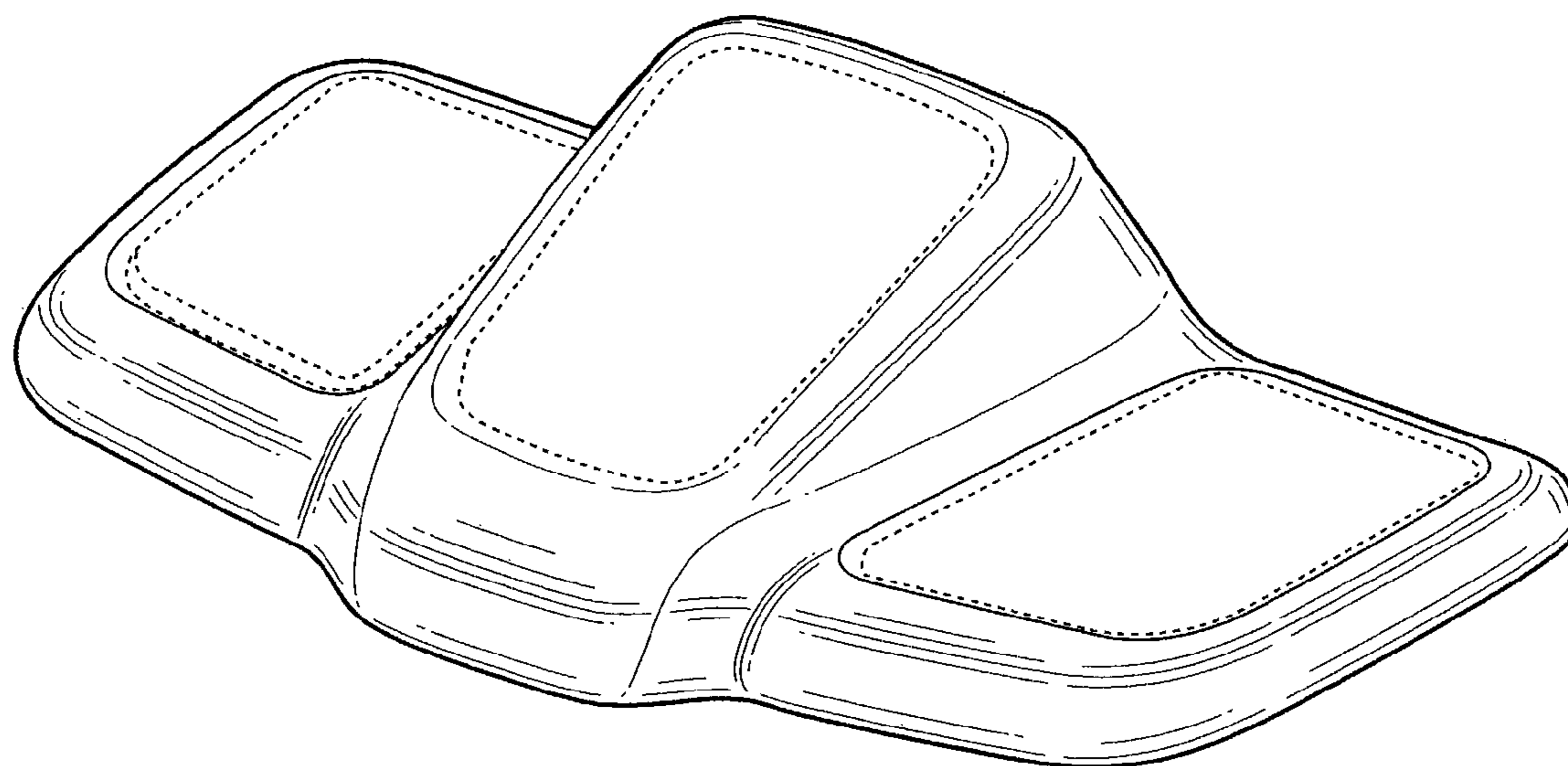


FIG. 1

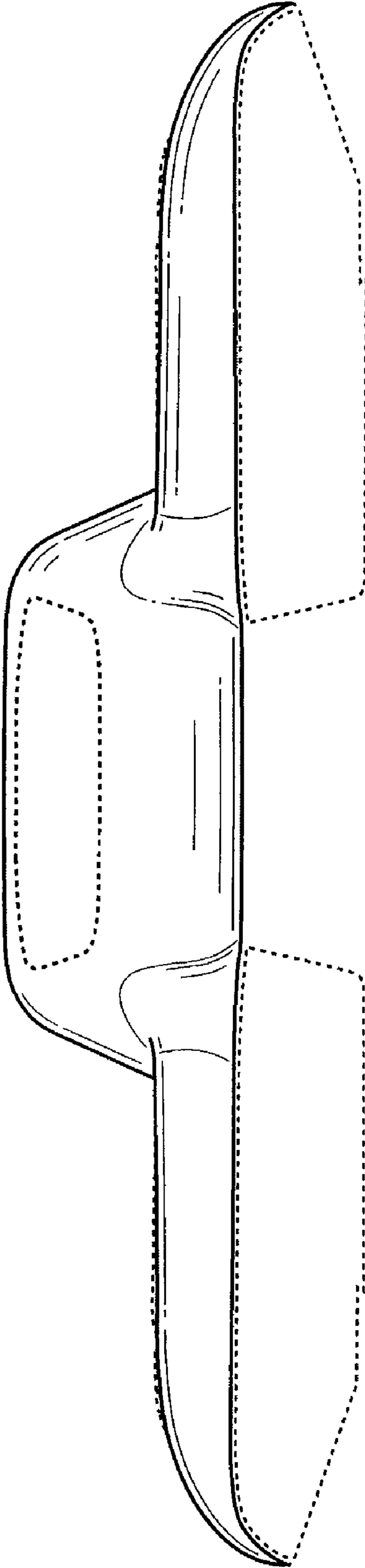


FIG. 2

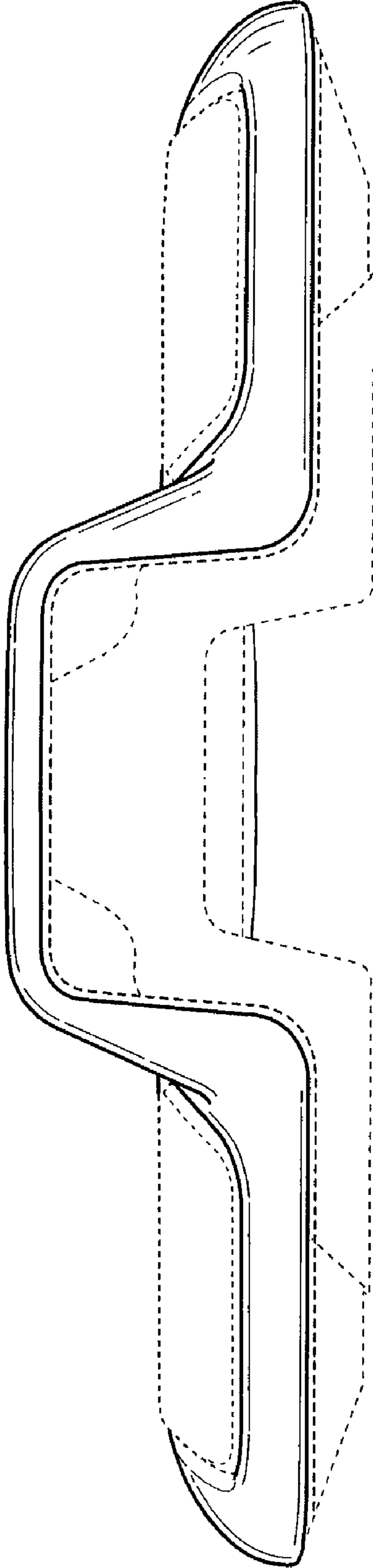


FIG. 3

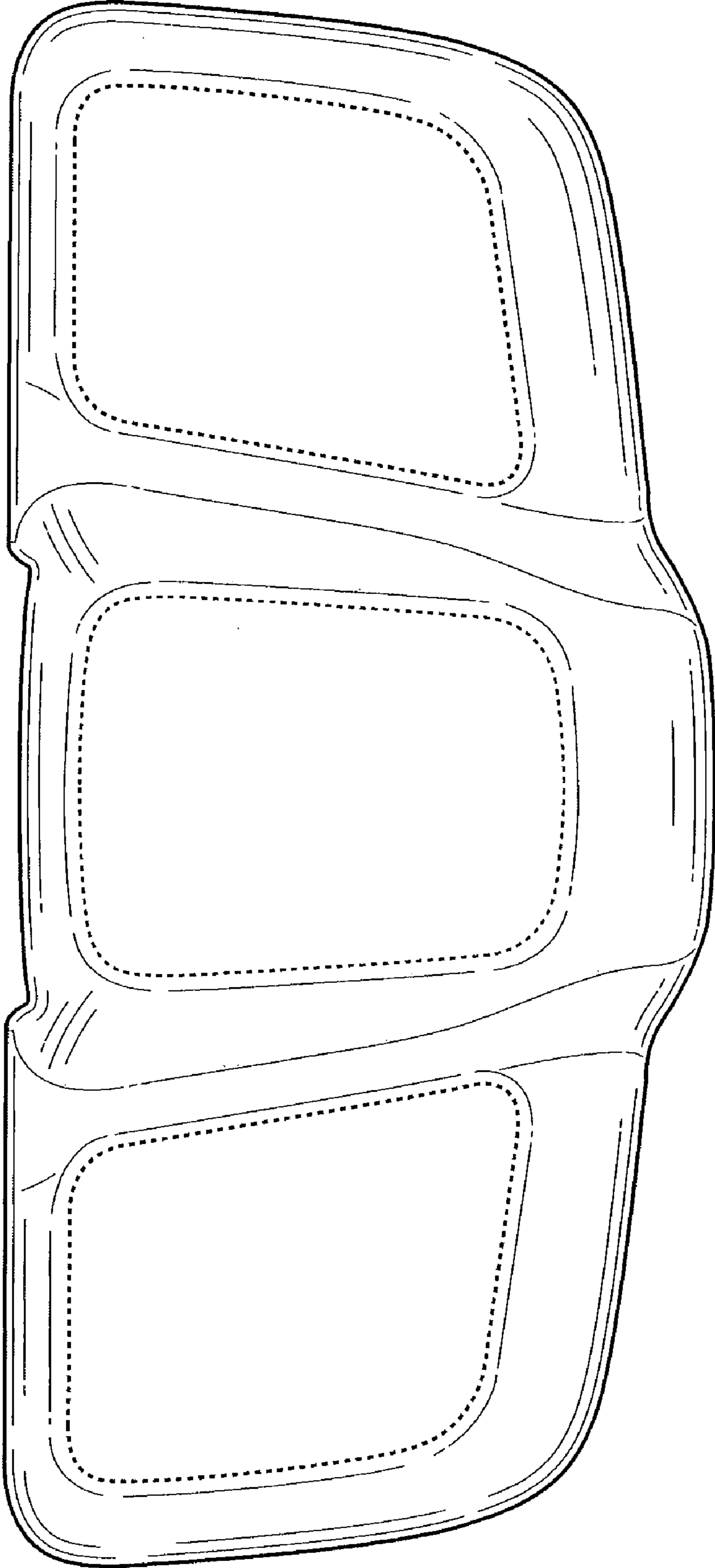


FIG. 4

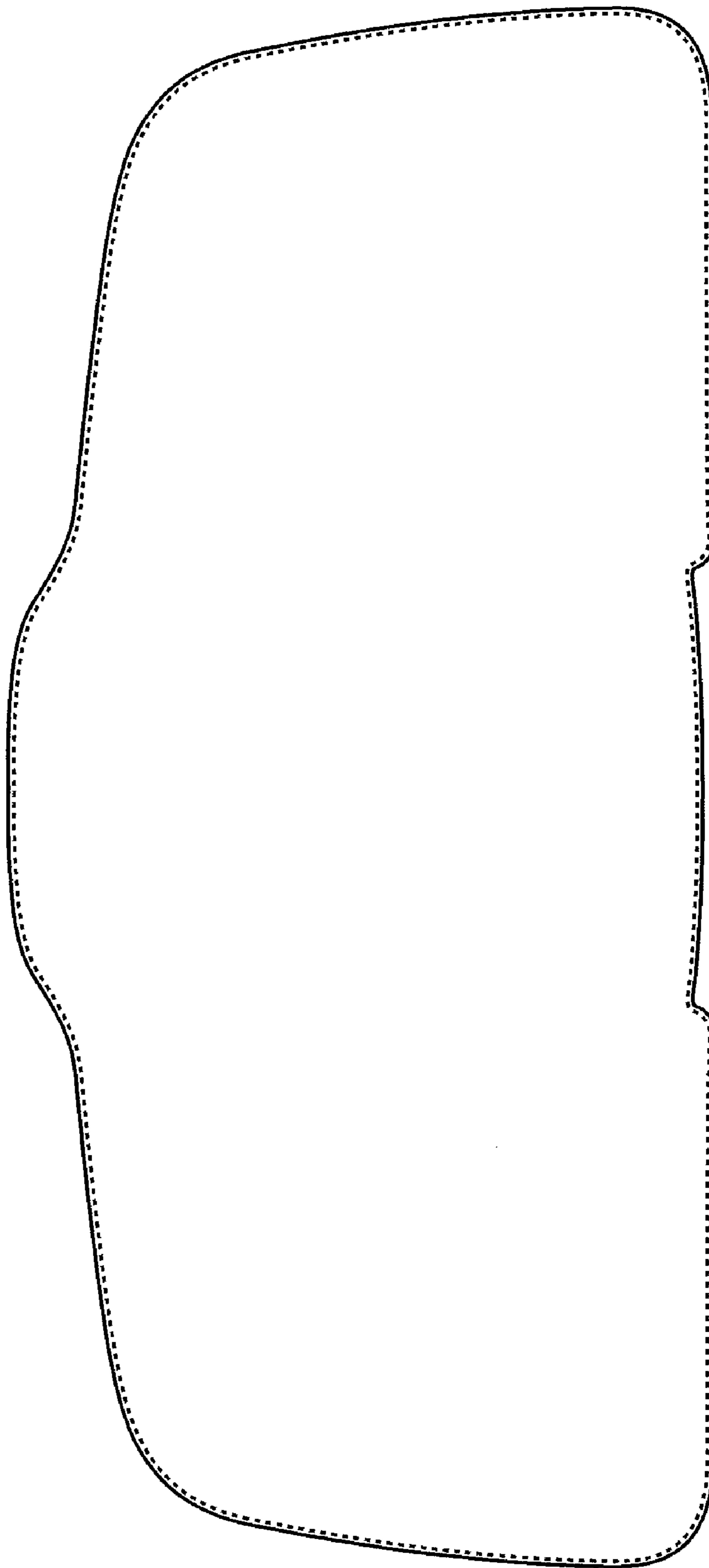


FIG. 5

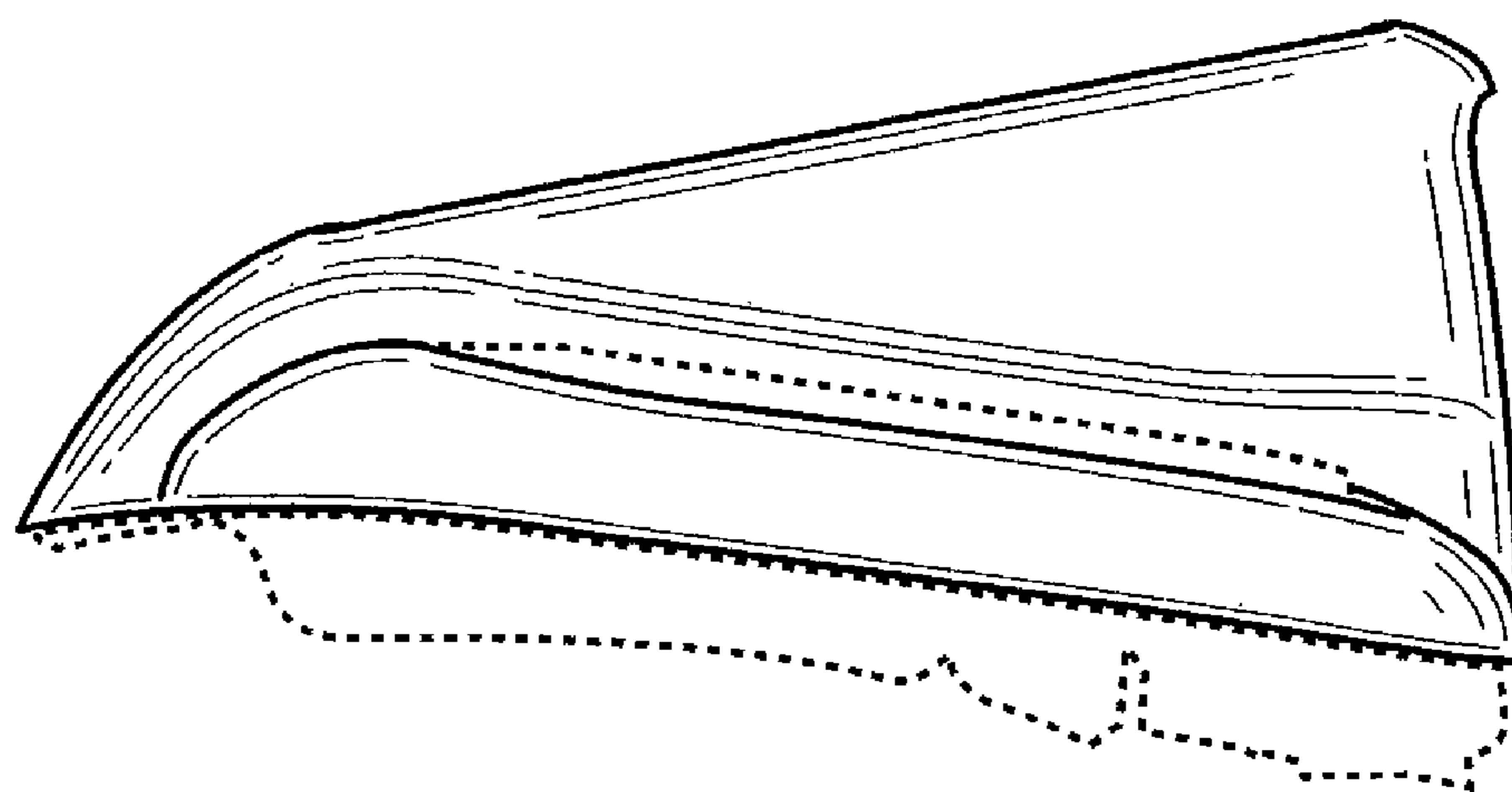


FIG. 6

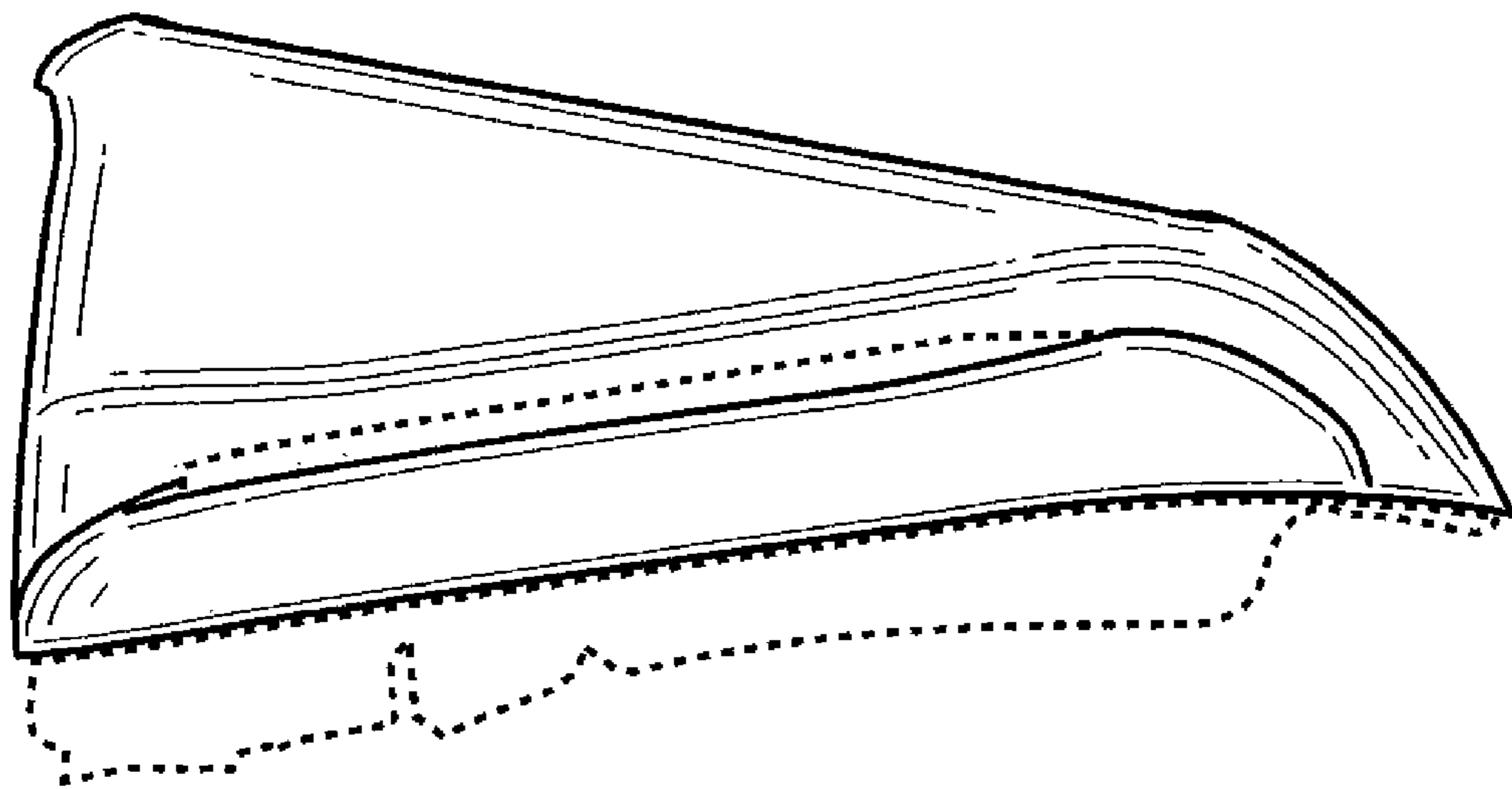


FIG. 7