



US00D636195S

(12) **United States Design Patent**  
**Reyes et al.**

(10) **Patent No.:** **US D636,195 S**  
(45) **Date of Patent:** **\*\* Apr. 19, 2011**

(54) **CHAIR**

(75) Inventors: **Reginaldo C. Reyes**, Minneapolis, MN  
(US); **Brian S. Gilchrist**, Richfield, MN  
(US)

(73) Assignee: **Target Brands, Inc.**, Minneapolis, MN  
(US)

(\*\*) Term: **14 Years**

(21) Appl. No.: **29/364,229**

(22) Filed: **Jun. 21, 2010**

(51) **LOC (9) Cl.** ..... **06-01**

(52) **U.S. Cl.** ..... **D6/374**

(58) **Field of Classification Search** ..... D6/334-336,  
D6/352, 355, 360-369, 370-375, 379-380,  
D6/491, 498, 500-502, 601; 297/118, 284.4-284.5,  
297/291, 297, 411.2, 411.27-411.29, 423.13,  
297/452.13, 452.19, 452.21, 452.29, 452.3,  
297/452.56, 452.64, 466

See application file for complete search history.

(56) **References Cited**

U.S. PATENT DOCUMENTS

D186,658 S *	11/1959	Spilman	.....	D6/374
D208,976 S *	10/1967	Moeckl	.....	D6/374
D214,834 S *	8/1969	Moore et al.	.....	D6/374
D292,656 S *	11/1987	Masterton	.....	D6/370
D468,922 S *	1/2003	de Blois	.....	D6/374
D485,085 S *	1/2004	Swy et al.	.....	D6/380

D494,771 S *	8/2004	de Blois	.....	D6/380
D576,817 S *	9/2008	Sienkowski	.....	D6/374
D578,789 S *	10/2008	Ciani et al.	.....	D6/380
D580,673 S *	11/2008	Wright et al.	.....	D6/374
D588,826 S *	3/2009	Ricchio	.....	D6/380
D607,658 S *	1/2010	Kubryk	.....	D6/380
D607,660 S *	1/2010	Kubryk	.....	D6/380

OTHER PUBLICATIONS

Seating Concepts, "Napoli," p. 1 of 1, <http://www.seating-concepts.com/images/stories/specs/EU-400.pdf> (last visited on Jun. 17, 2010).

\* cited by examiner

*Primary Examiner* — Caron Veynar

*Assistant Examiner* — Ricky Pham

(74) *Attorney, Agent, or Firm* — Theodore M. Magee;  
Westman, Champlin & Kelly, P.A.

(57) **CLAIM**

The ornamental design for a chair, as shown and described.

**DESCRIPTION**

FIG. 1 is a perspective view of the chair.

FIG. 2 is a right side view of the chair illustrated in FIG. 1.

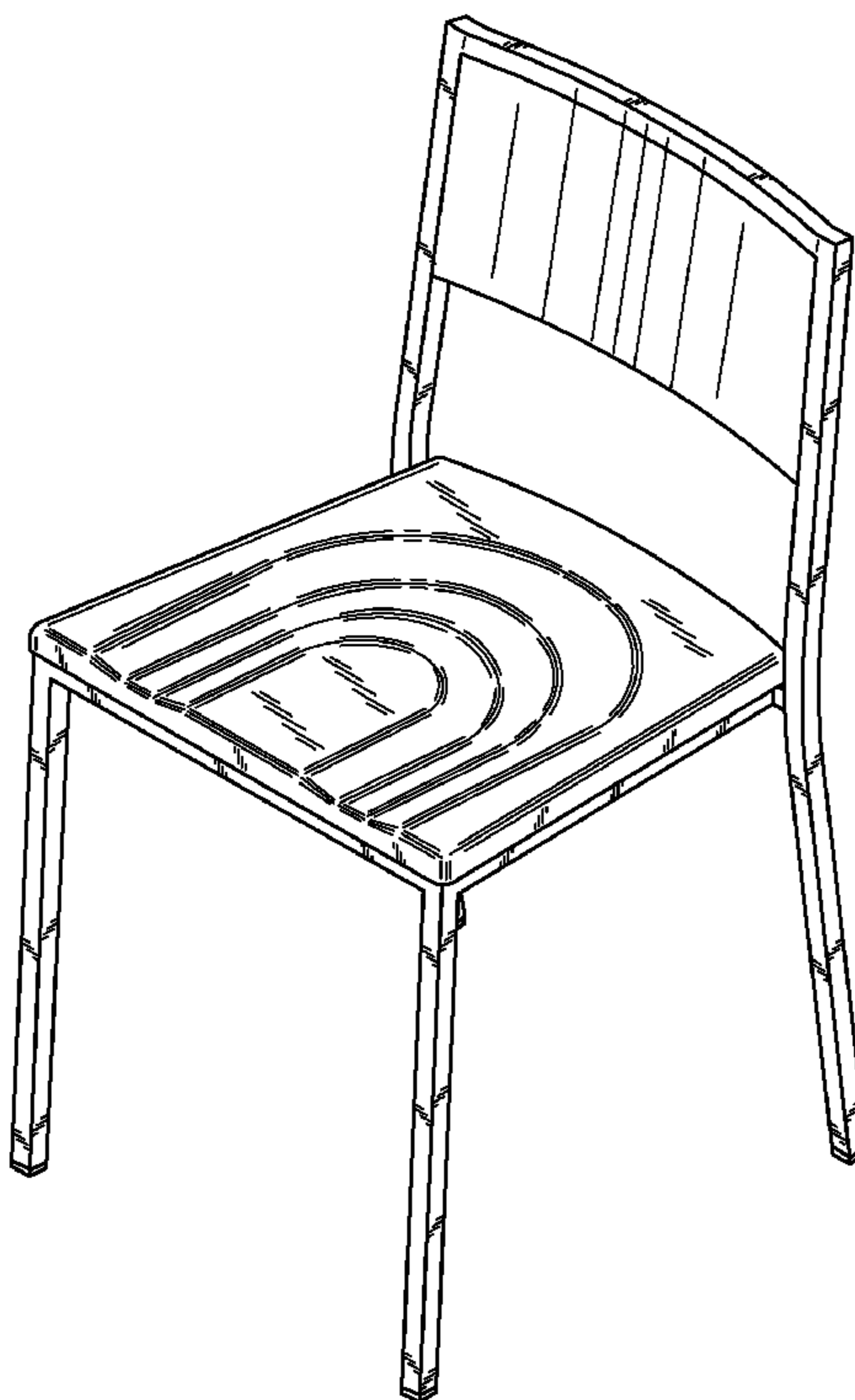
FIG. 3 is a left side view of the chair illustrated in FIG. 1.

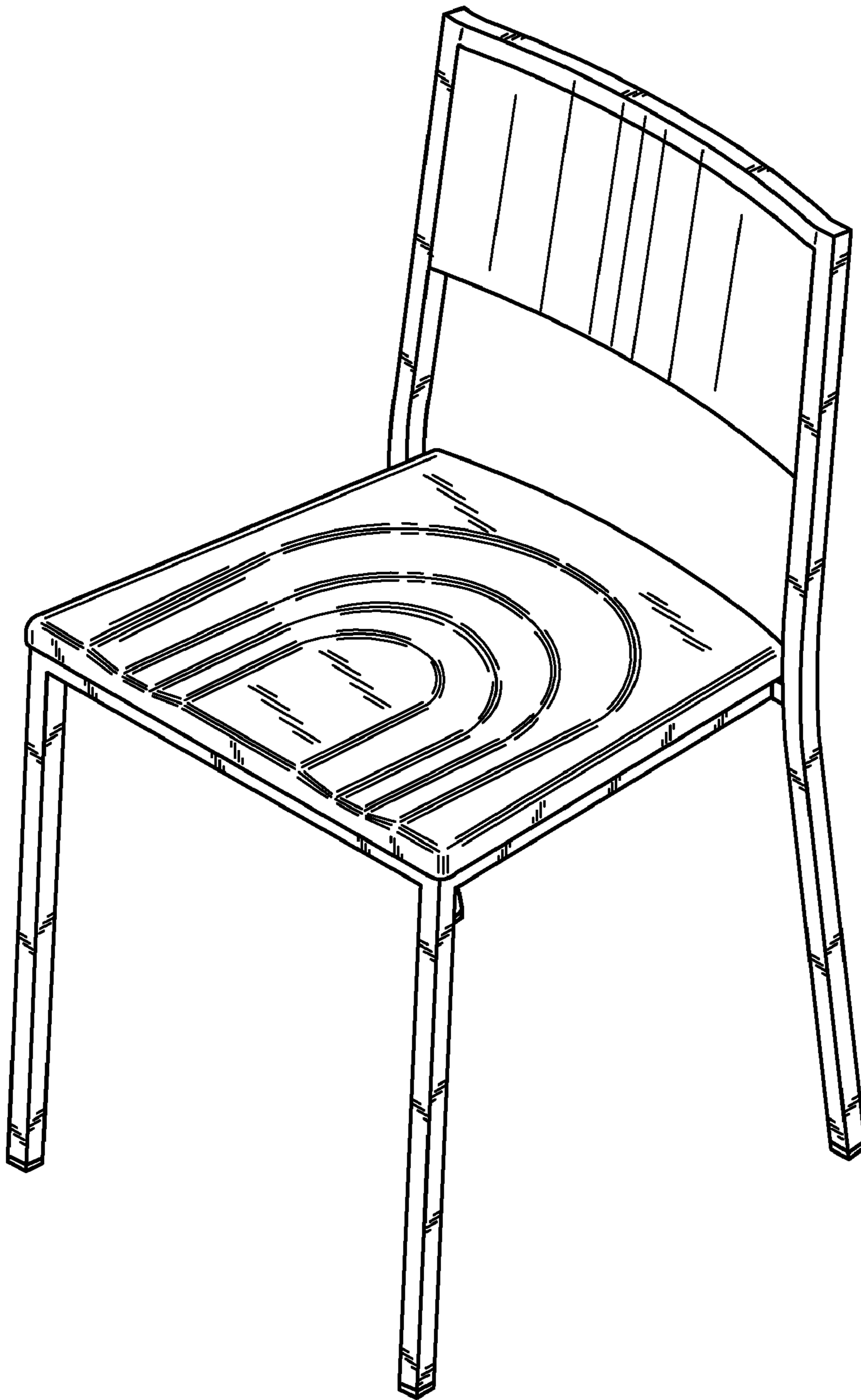
FIG. 4 is a front elevation view of the chair illustrated in FIG. 1.

FIG. 5 is a rear elevational view of the chair illustrated in FIG. 1.

FIG. 6 is a top view of the chair illustrated in FIG. 1; and,  
FIG. 7 is a bottom view of the chair illustrated in FIG. 1.

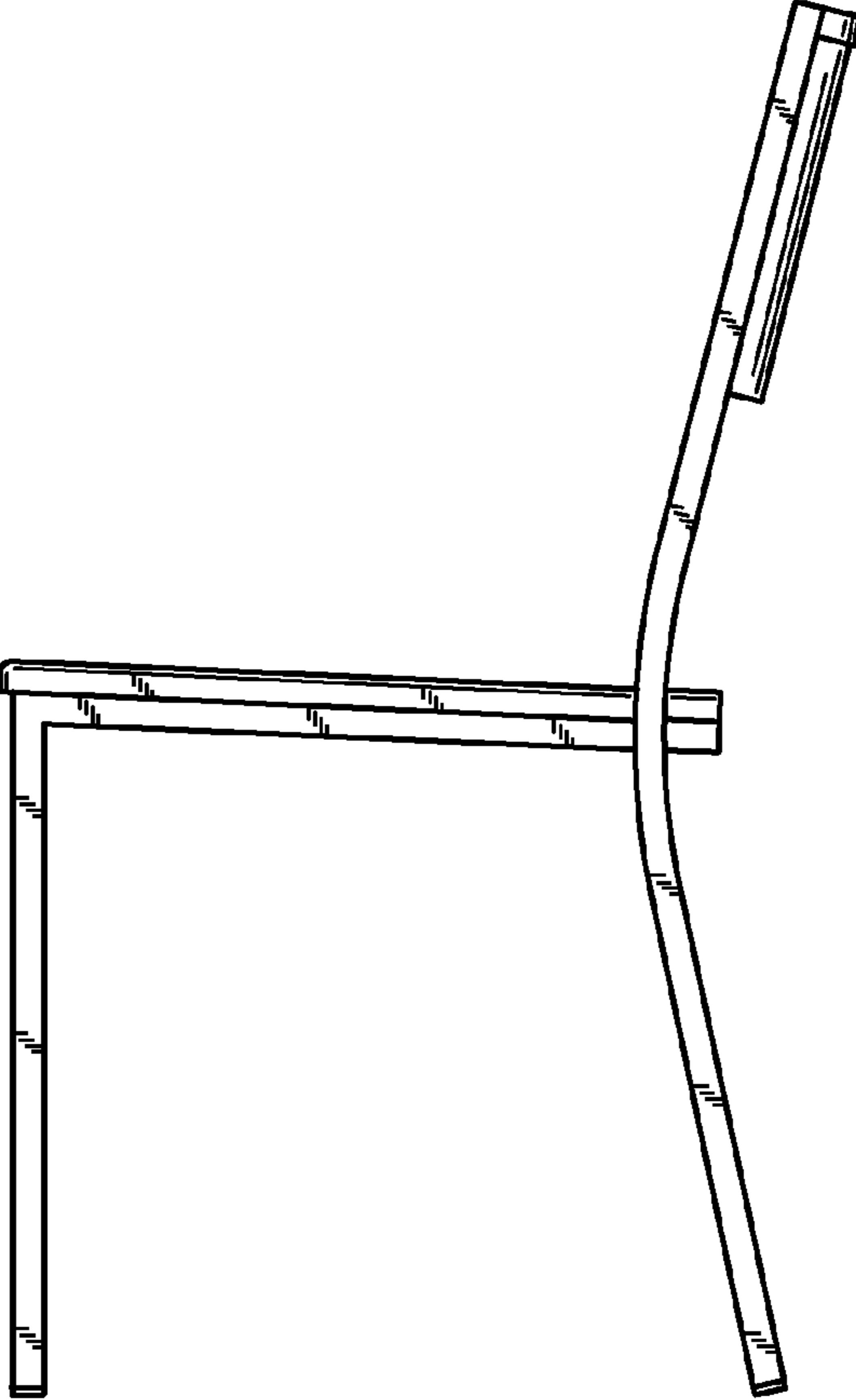
**1 Claim, 4 Drawing Sheets**



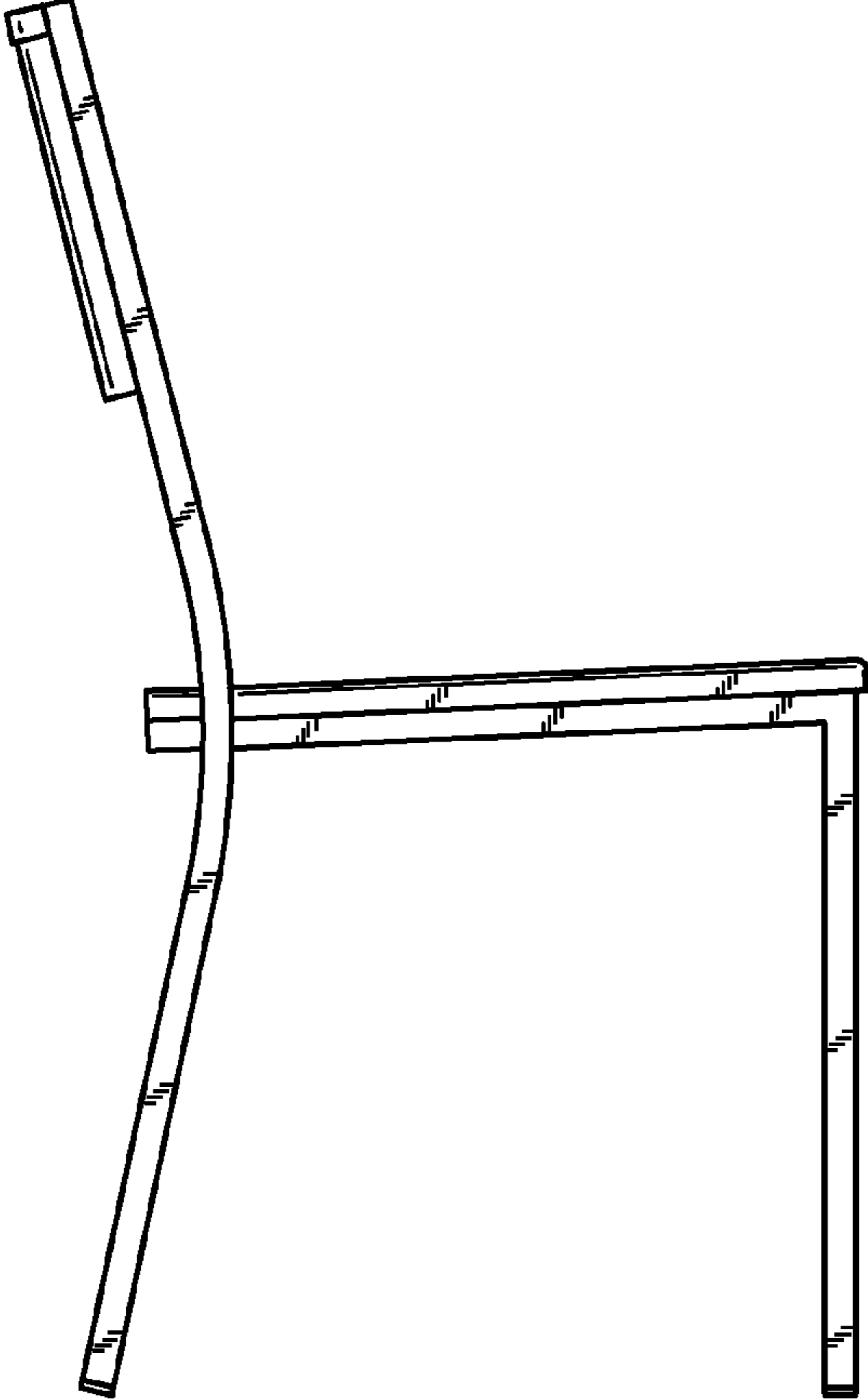


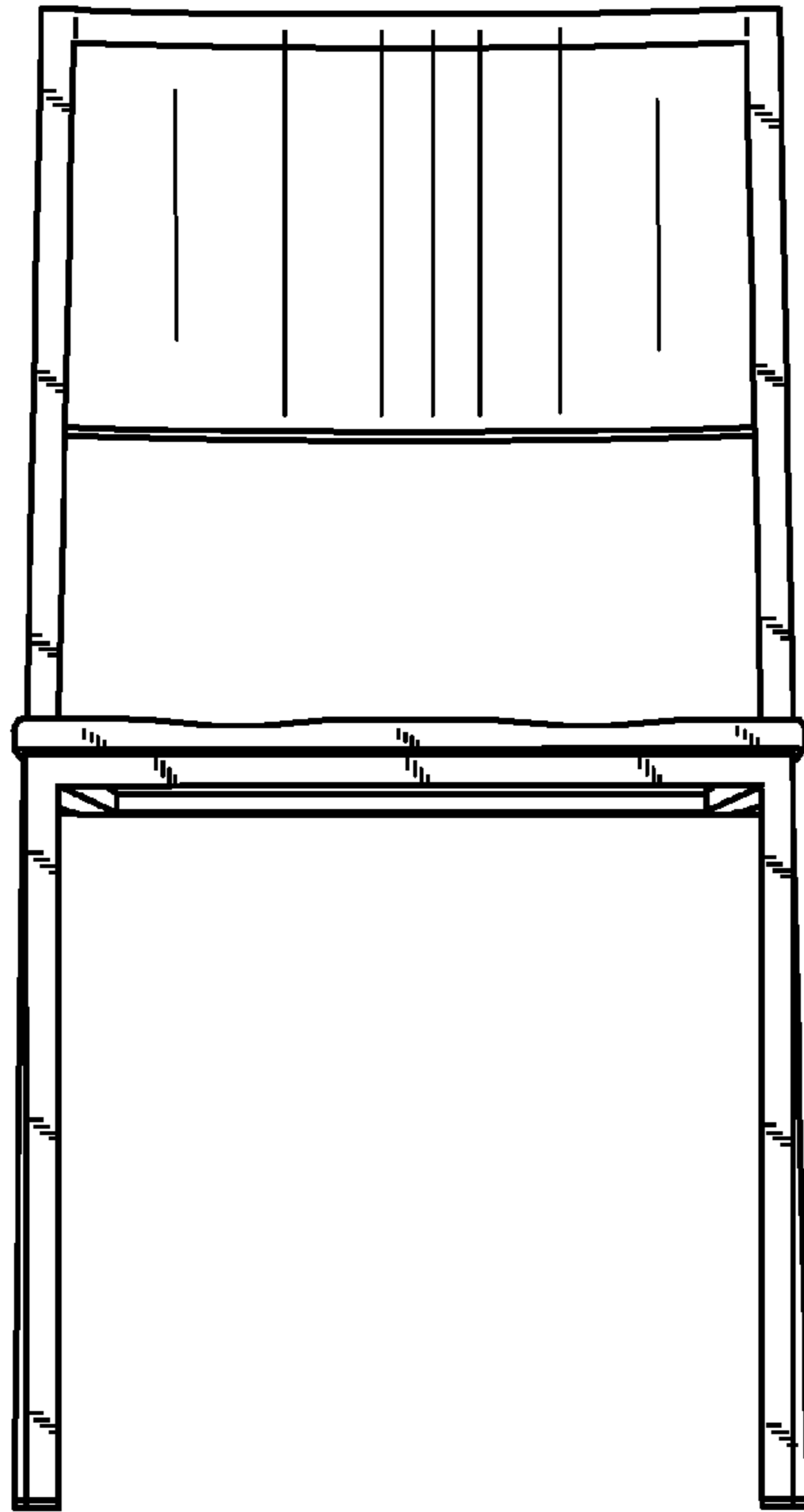
*FIG. 1*

*FIG. 2*



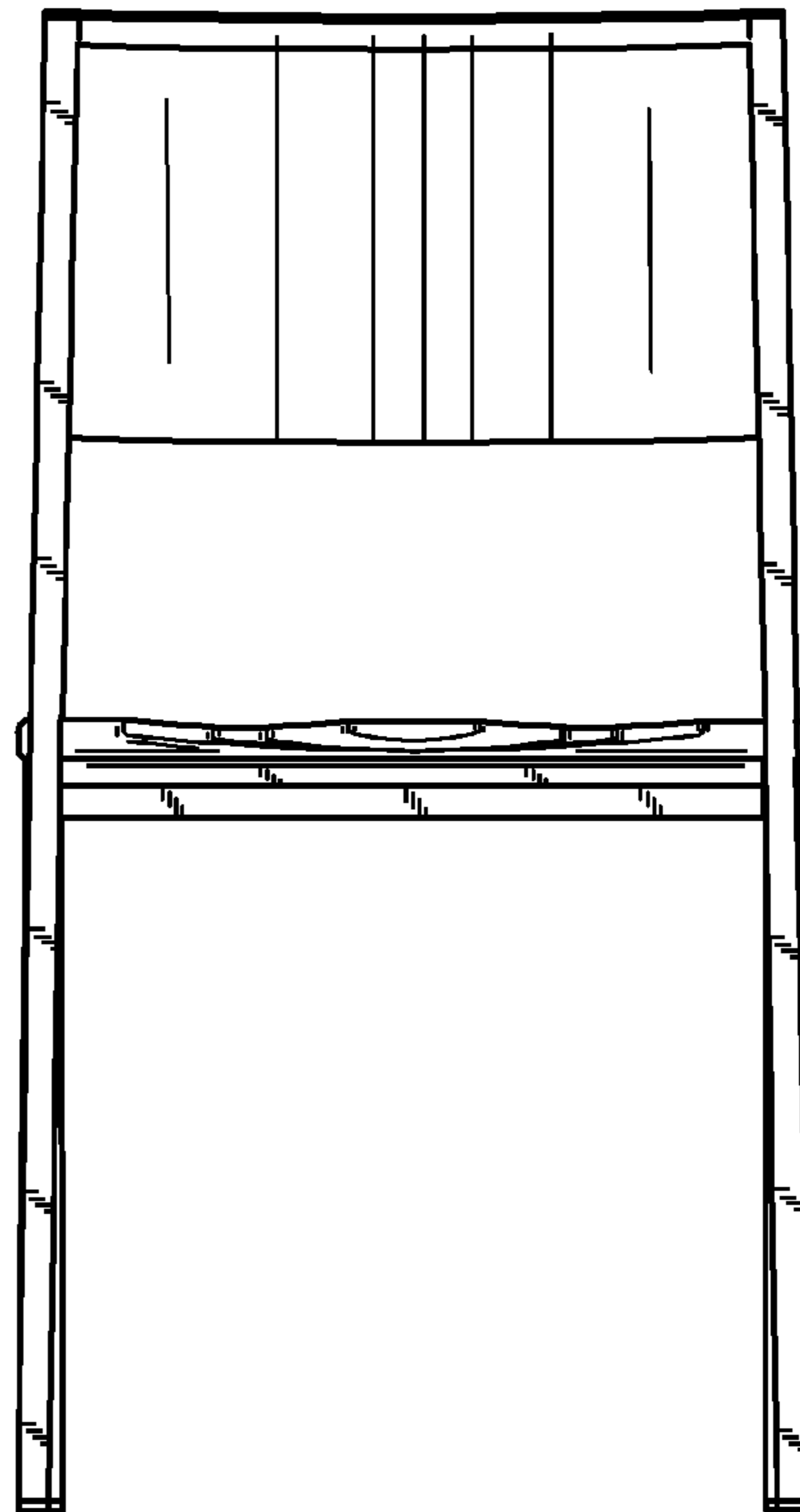
*FIG. 3*

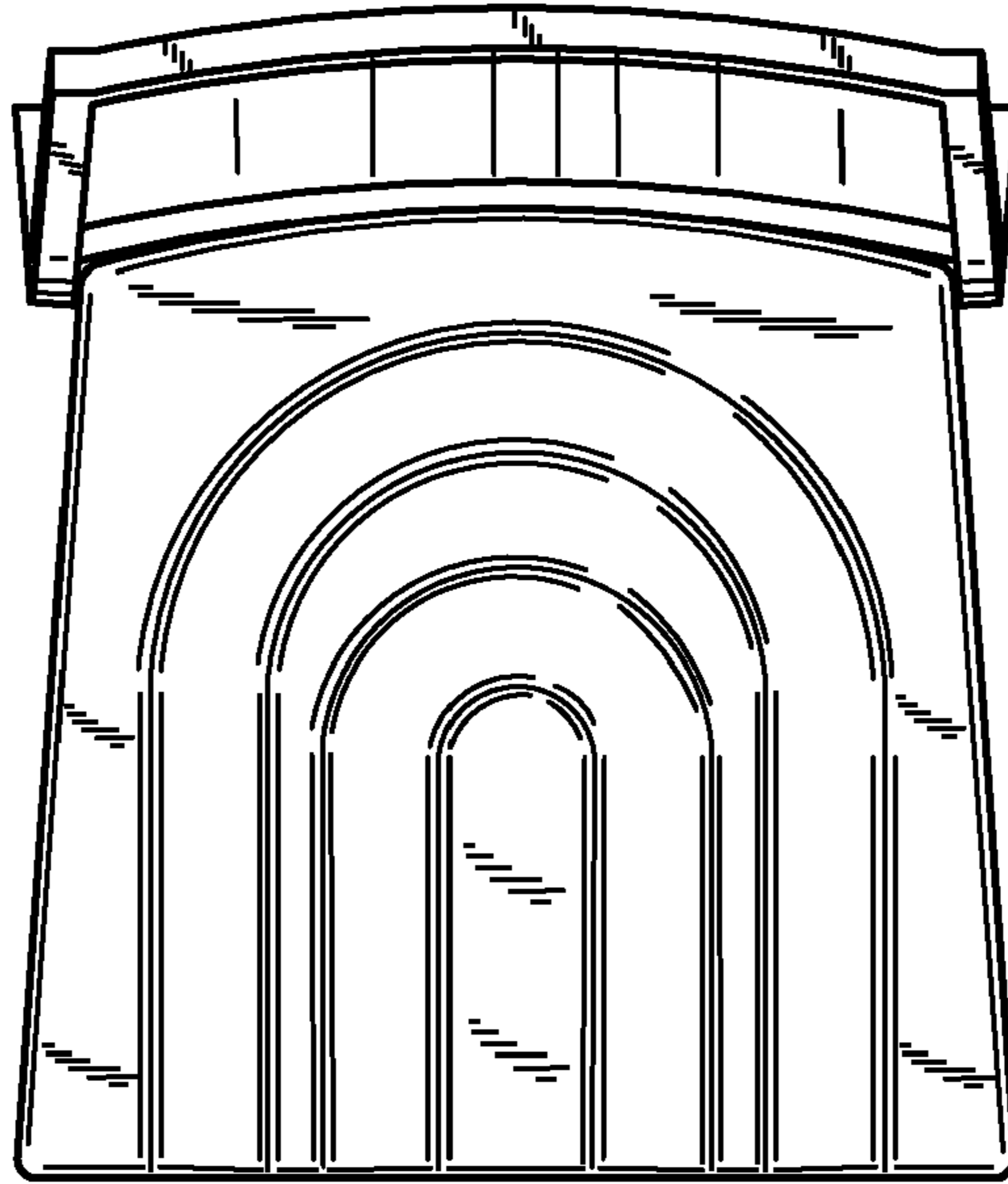




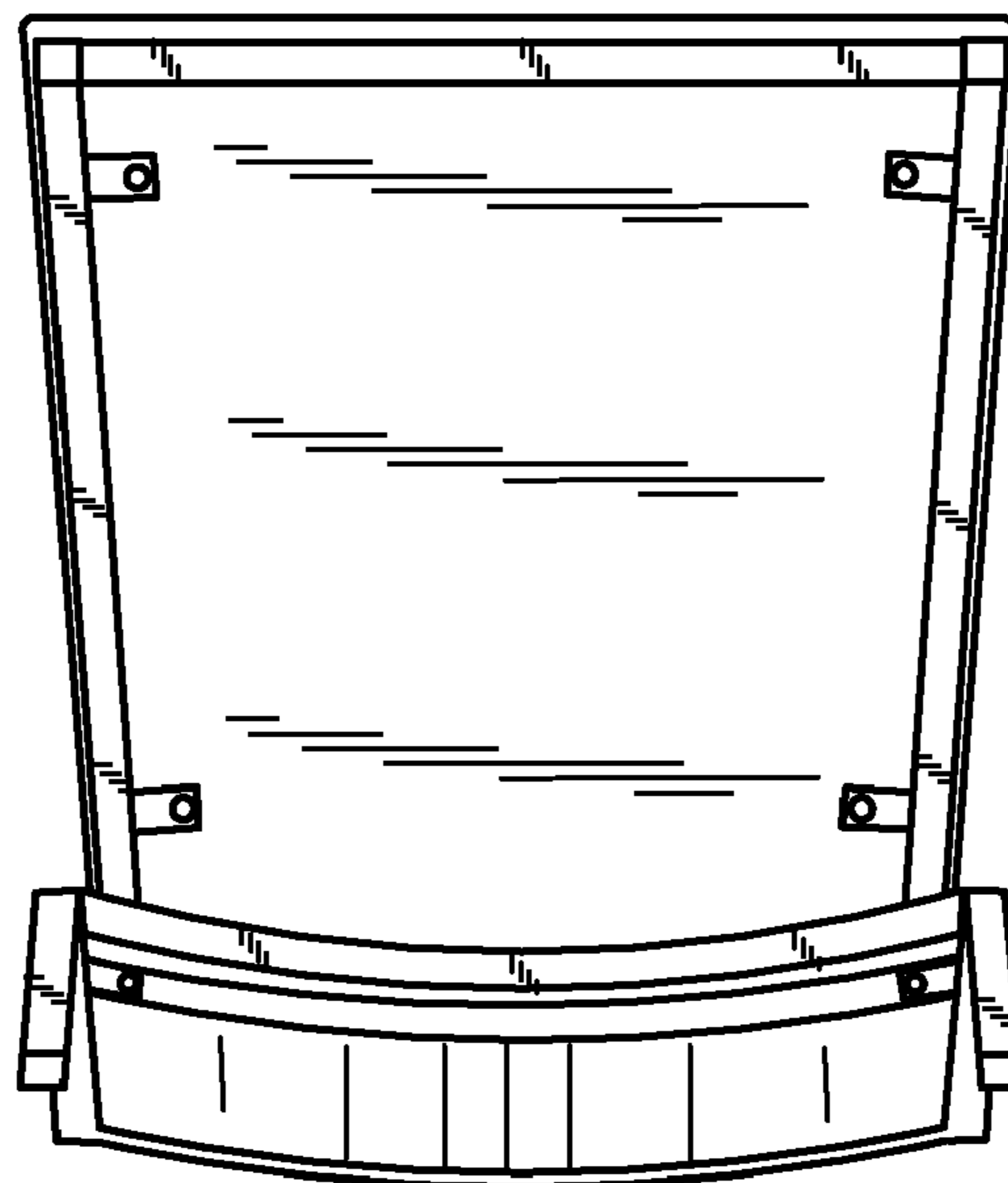
*FIG. 4*

*FIG. 5*





*FIG. 6*



*FIG. 7*