



US00D636193S

(12) **United States Design Patent**
Nusret

(10) **Patent No.:** **US D636,193 S**
(45) **Date of Patent:** **** Apr. 19, 2011**

(54) **MOTORCYCLE BACKREST**

(76) Inventor: **Michael Nusret**, South Elgin, IL (US)

(**) Term: **14 Years**

(21) Appl. No.: **29/356,873**

(22) Filed: **Mar. 3, 2010**

(51) **LOC (9) Cl.** **06-01**

(52) **U.S. Cl.** **D6/354**

(58) **Field of Classification Search** D6/354,
D6/502; D12/222, 119, 110, 114; 297/195.1,
297/196-215, 215.1-215.16, 243, 452.48,
297/230.1, 181, 452.65; 296/65.01, 68.01,
296/65.16; D26/32, 34, 35; 362/473, 540,
362/545, 548, 549; 180/219

See application file for complete search history.

(56) **References Cited**

U.S. PATENT DOCUMENTS

D242,032 S *	10/1976	Hartlaub	D12/119
D245,078 S *	7/1977	Greene	D12/119
D317,428 S *	6/1991	Carr	D12/222
D332,540 S *	1/1993	Peterson	D6/502
6,053,626 A *	4/2000	Zagrodnik et al.	362/473
D528,311 S *	9/2006	Stahel et al.	D6/354

OTHER PUBLICATIONS

Mar. 2, 2009 posting of sissy bars from Sissy Bar School (6 pages).
[Retrieved on Apr. 2, 2010]. Retrieved from the Internet <URL:
<http://www.knucklebusterinc.com/features/2009/03/02/sissy-bar-school>>.*

* cited by examiner

Primary Examiner — Philip S Hyder

Assistant Examiner — Linda G. Brooks

(74) *Attorney, Agent, or Firm* — Sinorica, LLC

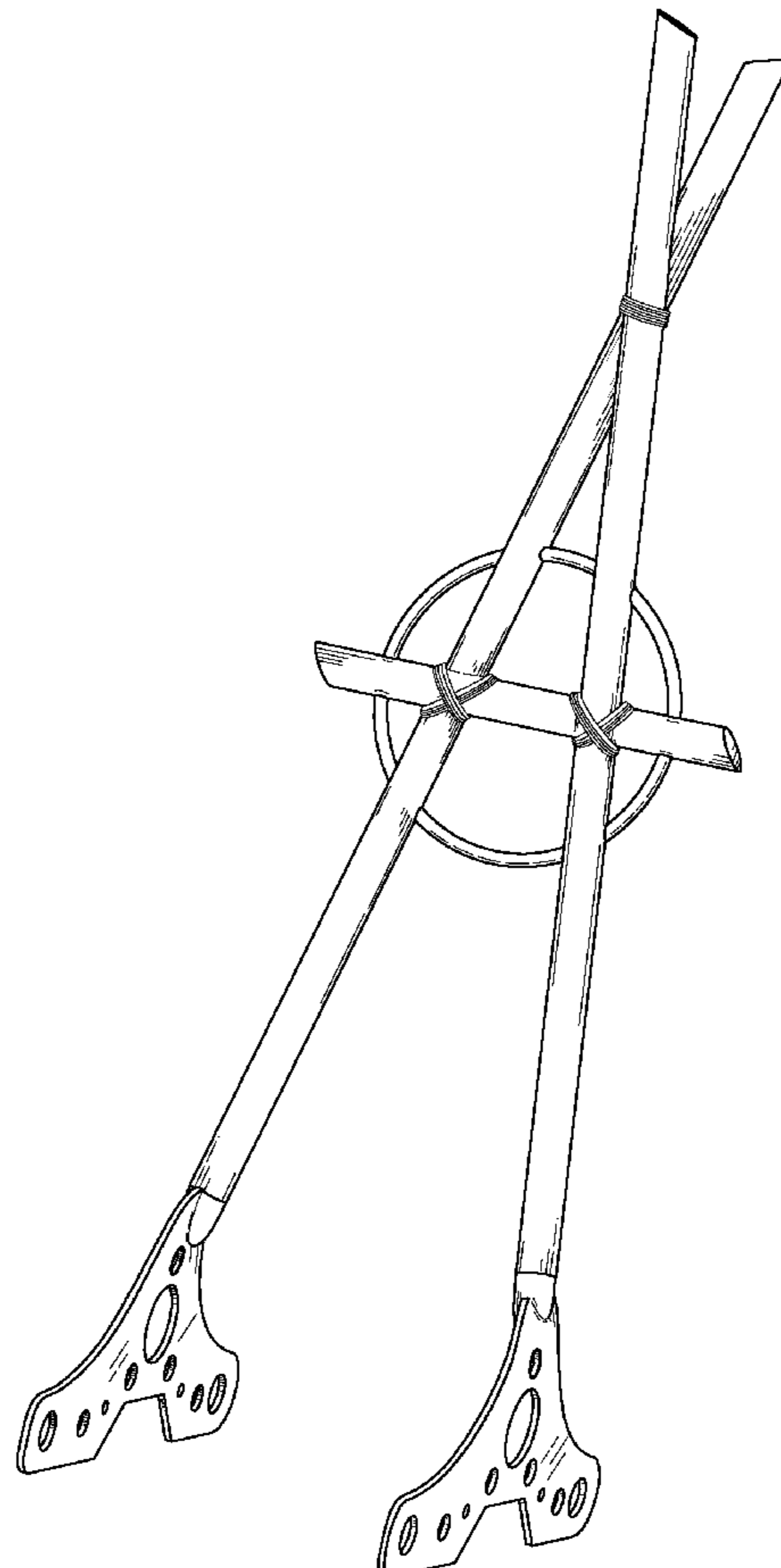
(57) **CLAIM**

The ornamental design for a motorcycle backrest, as shown and described.

DESCRIPTION

FIG. 1 is a front perspective view of a motorcycle backrest;
FIG. 2 is a front elevational view thereof;
FIG. 3 is a rear elevational view thereof,
FIG. 4 is a left-side elevational view thereof;
FIG. 5 is a right-side elevational view thereof;
FIG. 6 is a top plan view thereof; and,
FIG. 7 is a bottom plan view thereof.

1 Claim, 4 Drawing Sheets



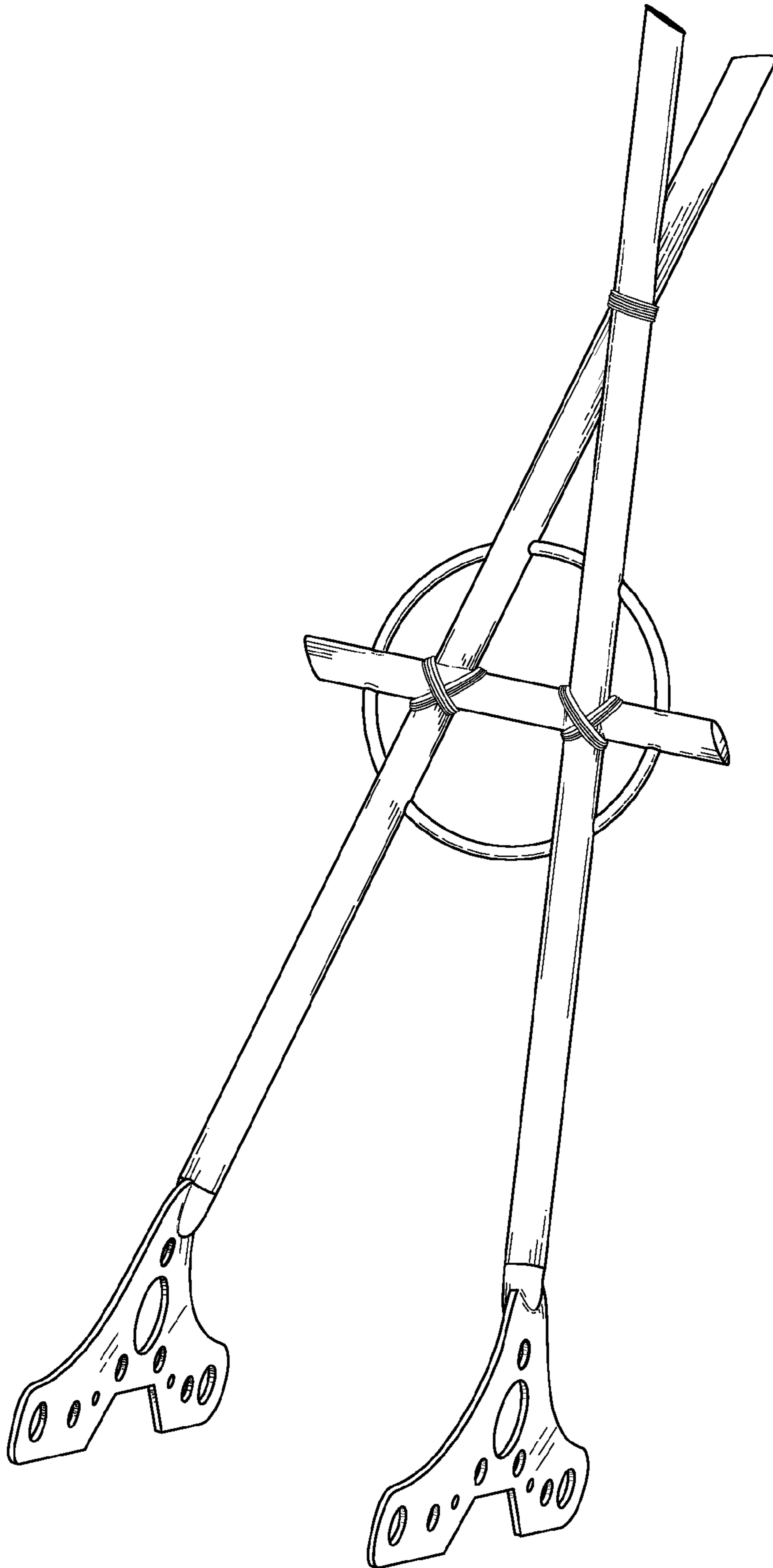


FIG. 1

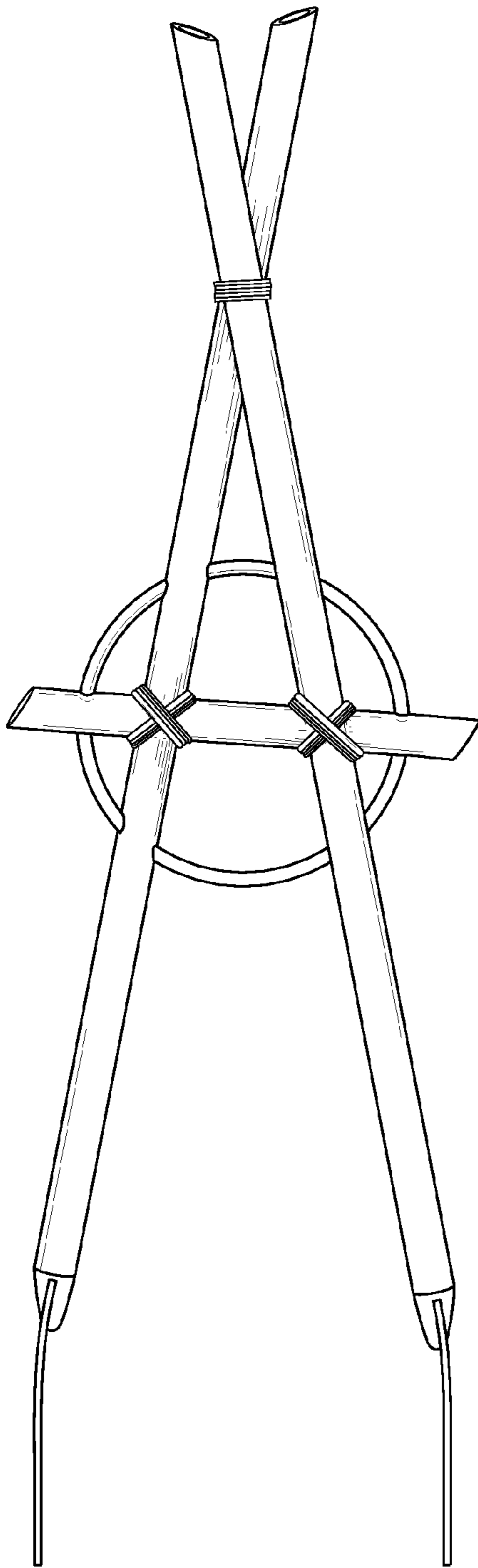


FIG. 2

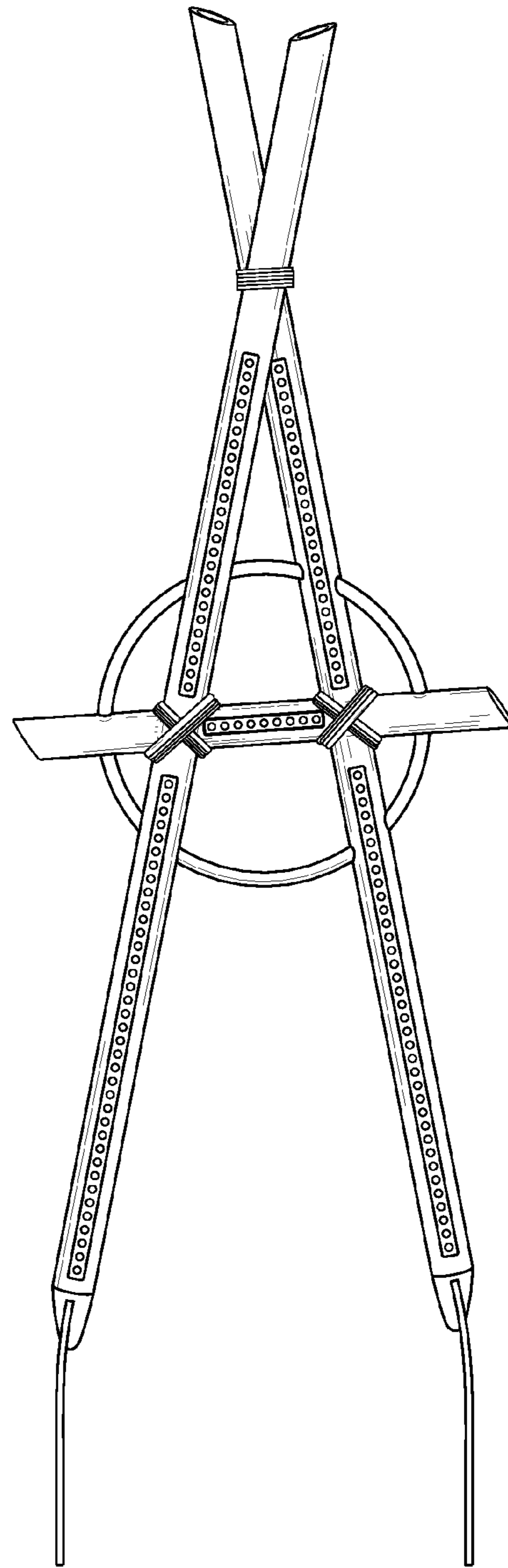


FIG. 3

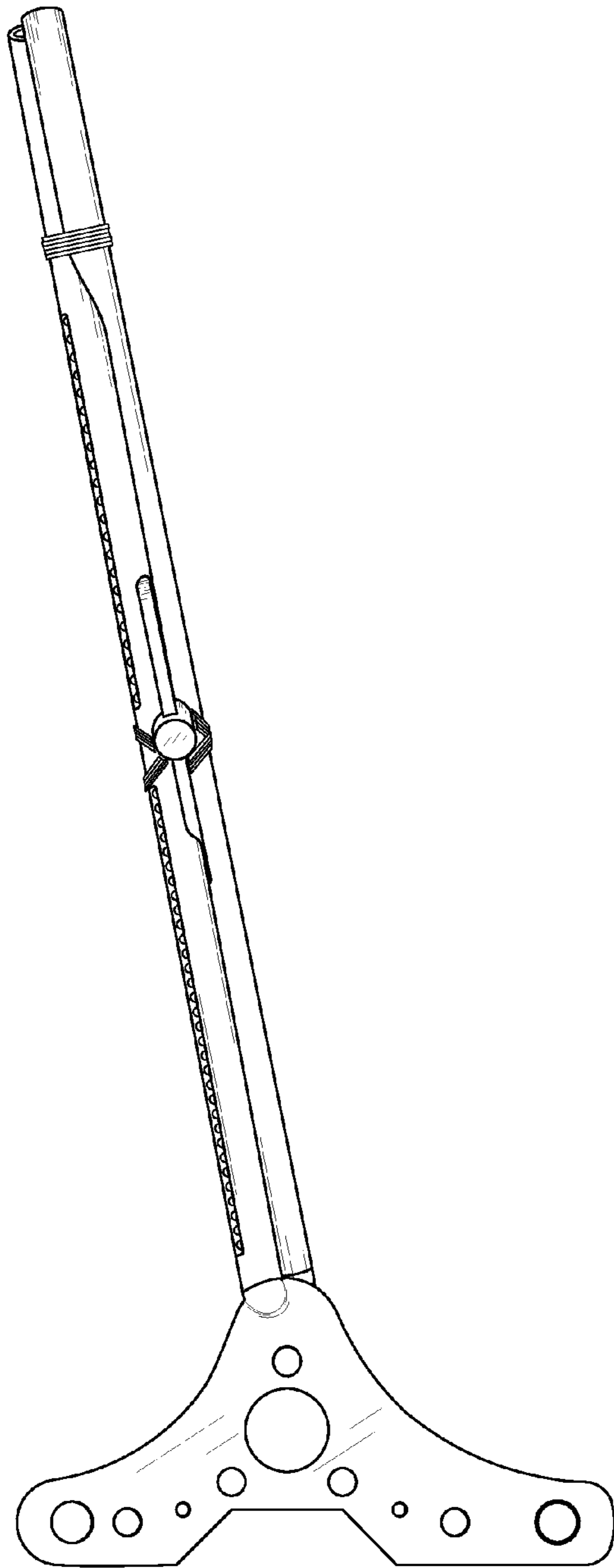


FIG. 4

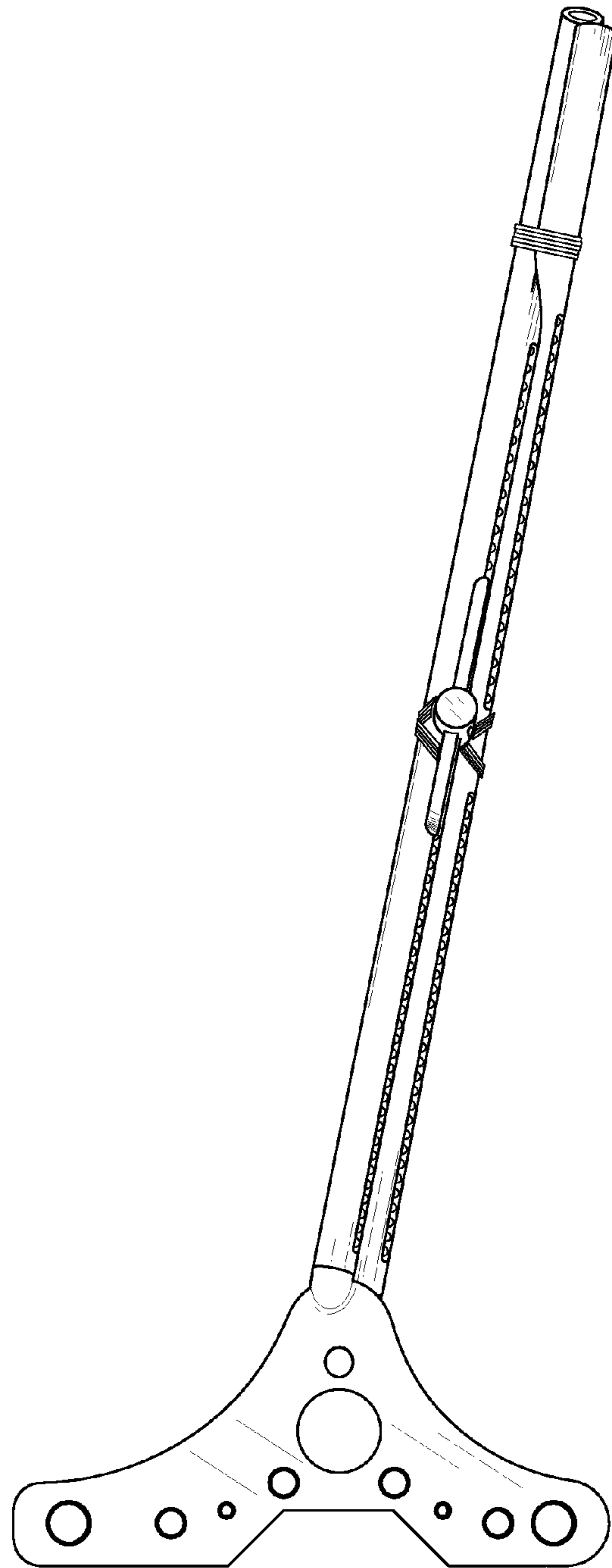


FIG. 5

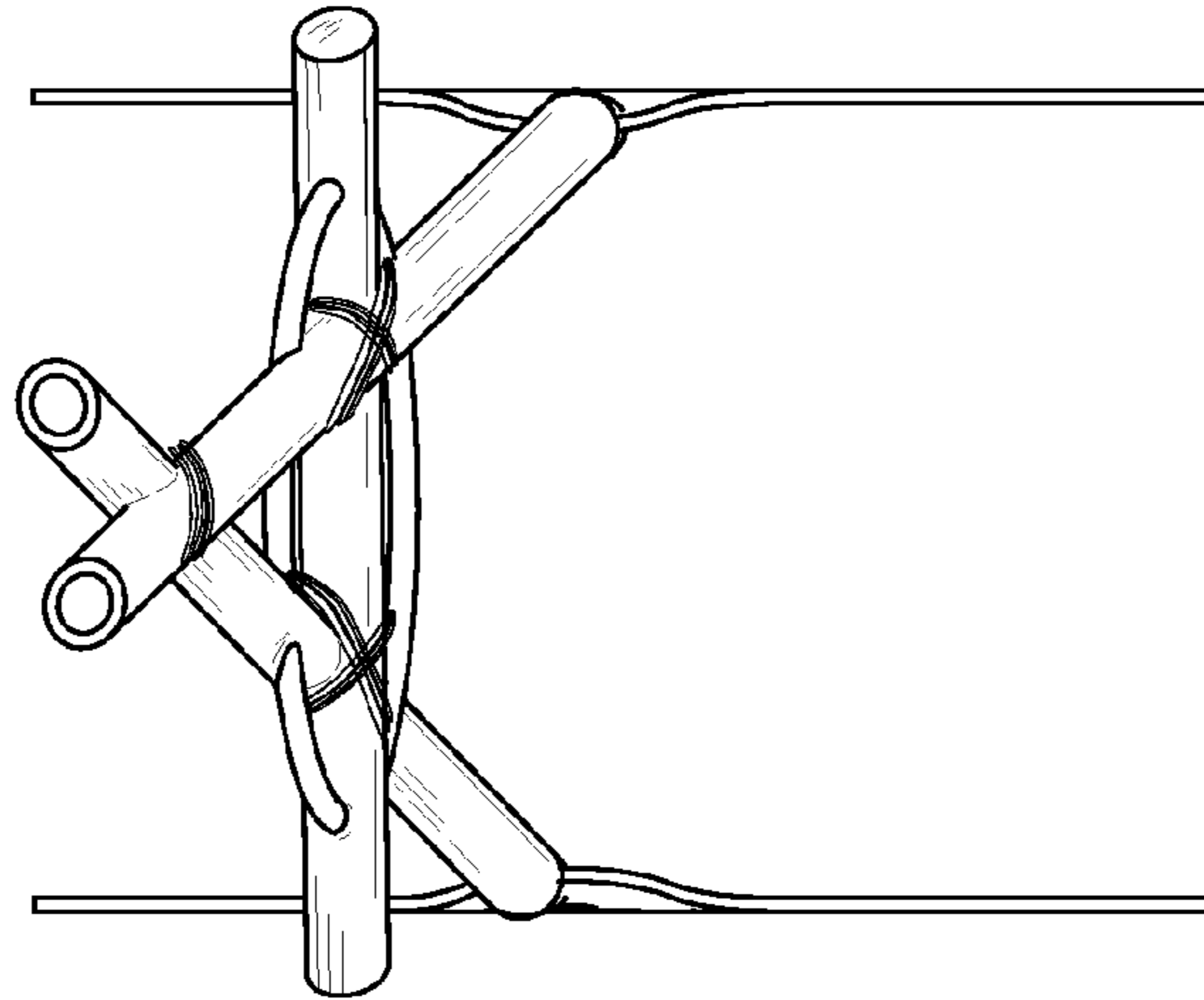


FIG. 6

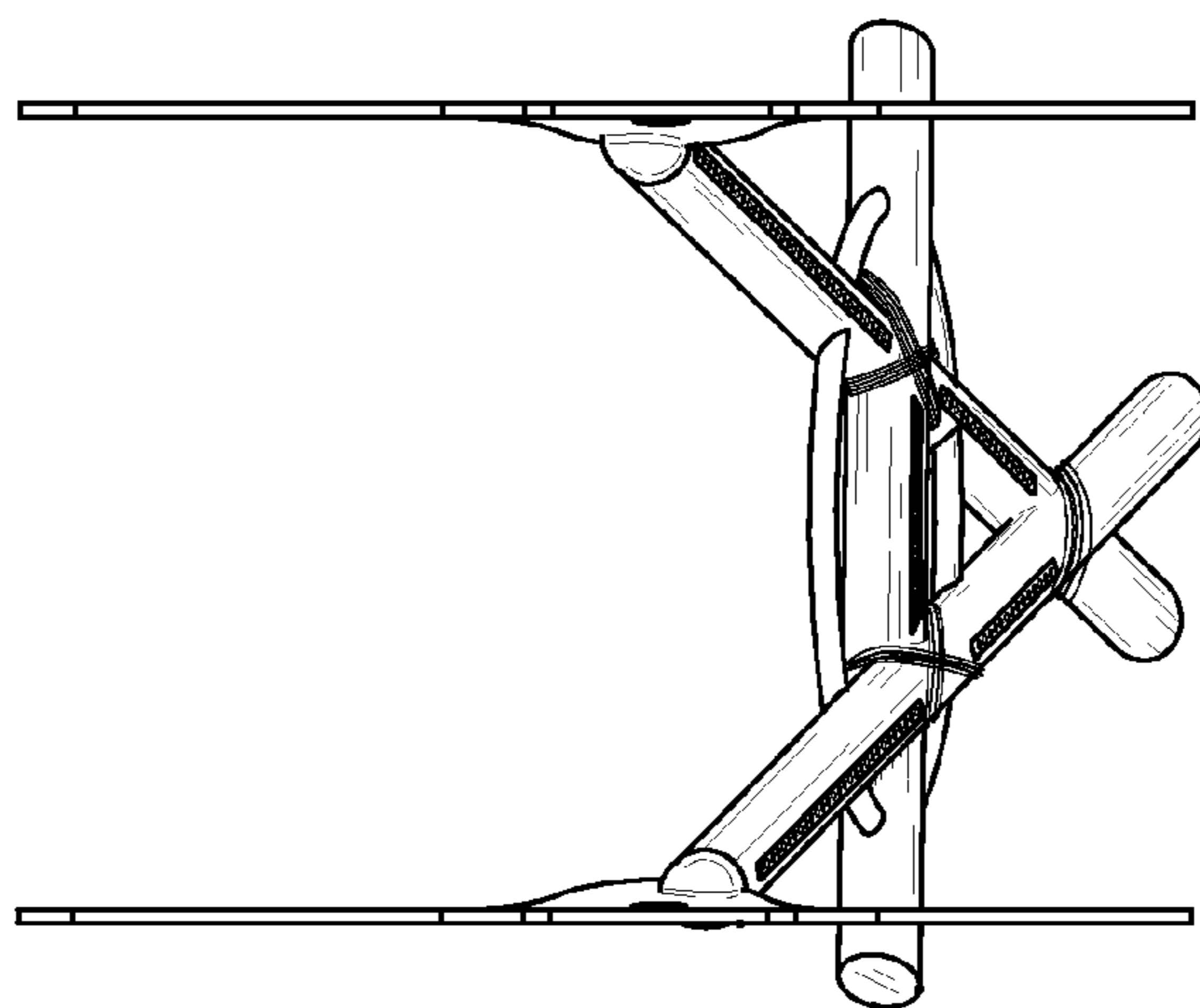


FIG. 7