



US00D636192S

(12) **United States Design Patent**  
**Cheng**

(10) **Patent No.:** **US D636,192 S**

(45) **Date of Patent:** **\*\* Apr. 19, 2011**

(54) **HAIRDRESSERS' CHAIR**

D489,189 S \* 5/2004 Cheng ..... D6/335  
D549,972 S \* 9/2007 Garcia ..... D6/348

(76) Inventor: **Hsien-Yang Cheng**, Banciao (TW)

\* cited by examiner

(\*\*) Term: **14 Years**

*Primary Examiner* — Sandra Snapp

(74) *Attorney, Agent, or Firm* — patenttm.us

(21) Appl. No.: **29/378,648**

(57) **CLAIM**

The ornamental design for a hairdressers' chair, as shown and described.

(22) Filed: **Nov. 8, 2010**

(51) **LOC (9) Cl.** ..... **06-01**

(52) **U.S. Cl.** ..... **D6/336**

(58) **Field of Classification Search** ..... D6/330,  
D6/335-338, 349, 353, 380, 381, 500-502;  
297/118, 140, 245, 300.1, 311, 353, 354.1,  
297/445.1, 446.1, 446.2, 447.4, 465, 900,  
297/DIG. 2, DIG. 7; D23/277, 289; D24/204;  
5/12.1, 12.2

See application file for complete search history.

**DESCRIPTION**

FIG. 1 is a perspective view of a hairdressers' chair showing my new design;

FIG. 2 is a front view thereof;

FIG. 3 is a rear view thereof;

FIG. 4 is a left view thereof;

FIG. 5 is a right view thereof;

FIG. 6 is a top view thereof; and,

FIG. 7 is a bottom view thereof.

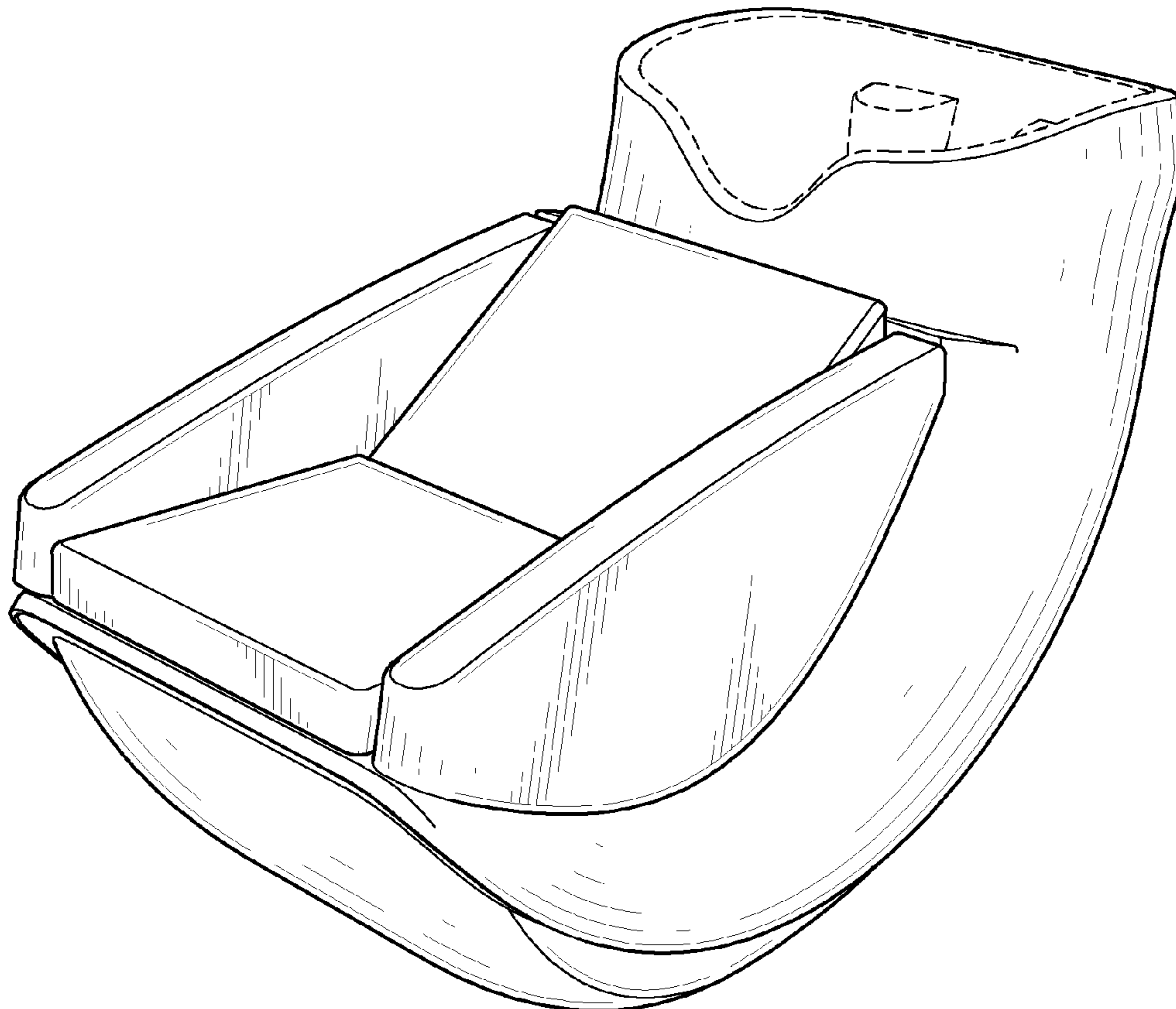
The portions of the Figures shown in broken lines are shown for illustrative purposes only and form no part of the claimed design.

(56) **References Cited**

**U.S. PATENT DOCUMENTS**

2,854,062 A \* 9/1958 Hetchler ..... 297/270.3  
D315,643 S \* 3/1991 Wade ..... D6/334

**1 Claim, 7 Drawing Sheets**



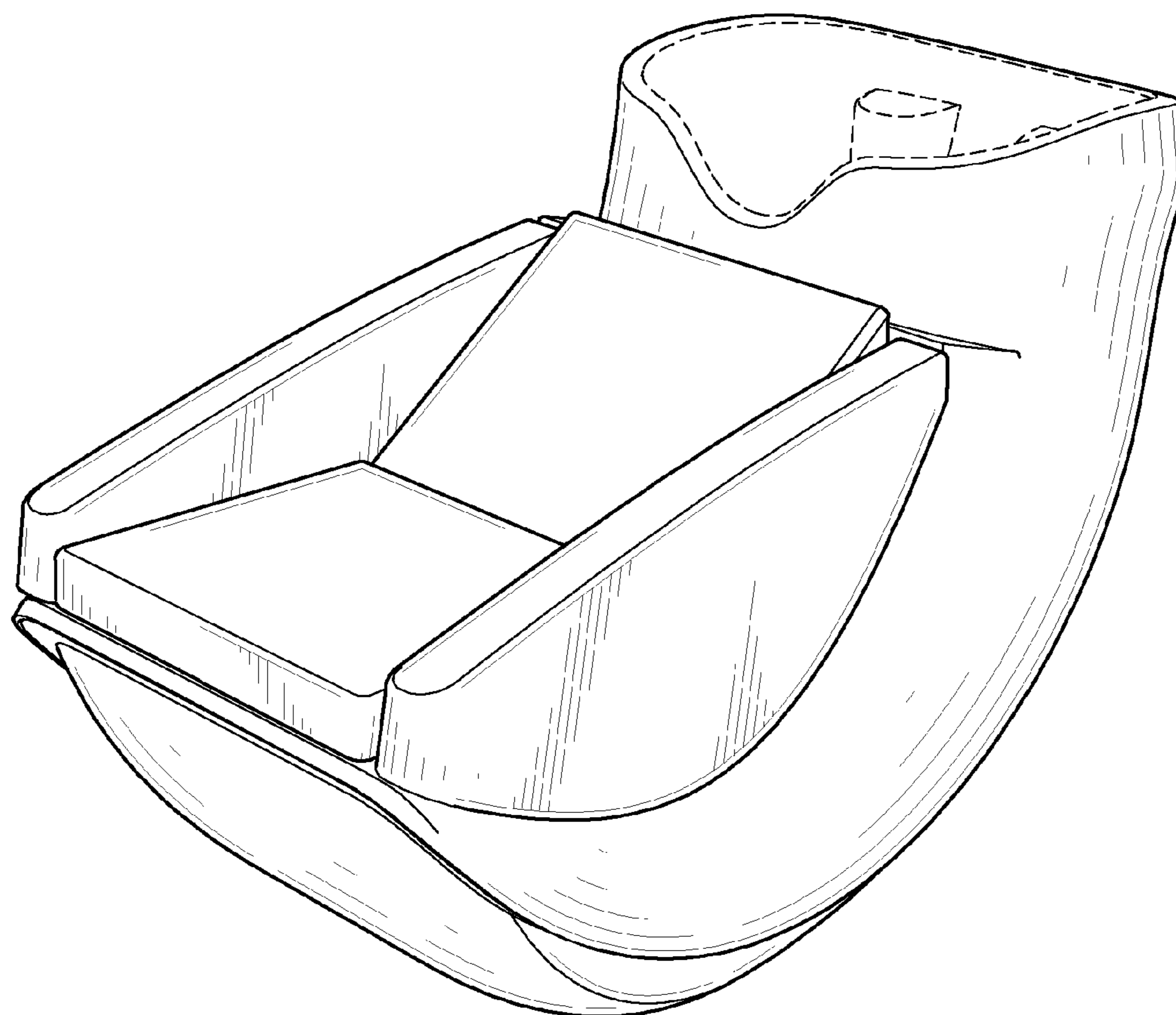


FIG. 1

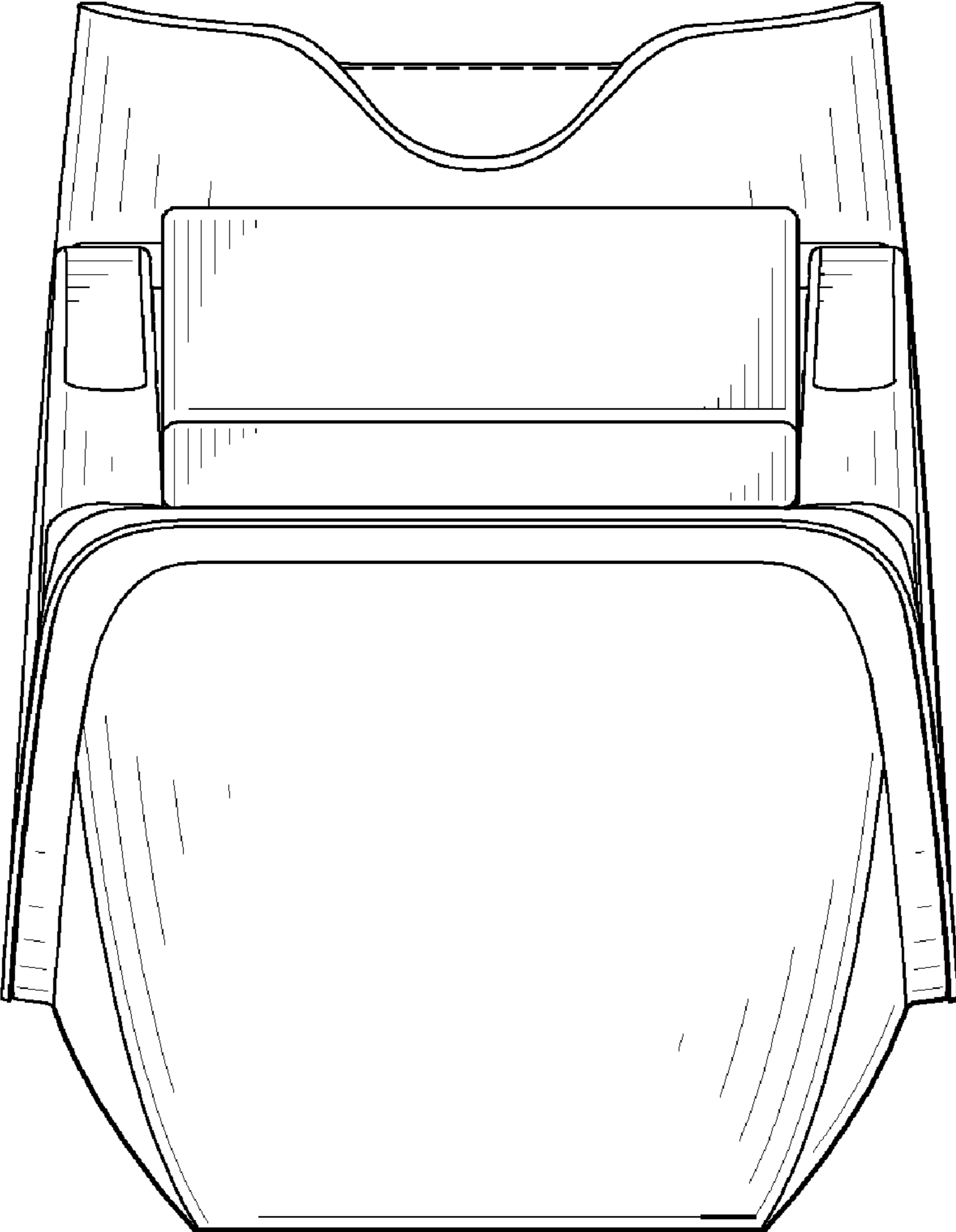


FIG. 2

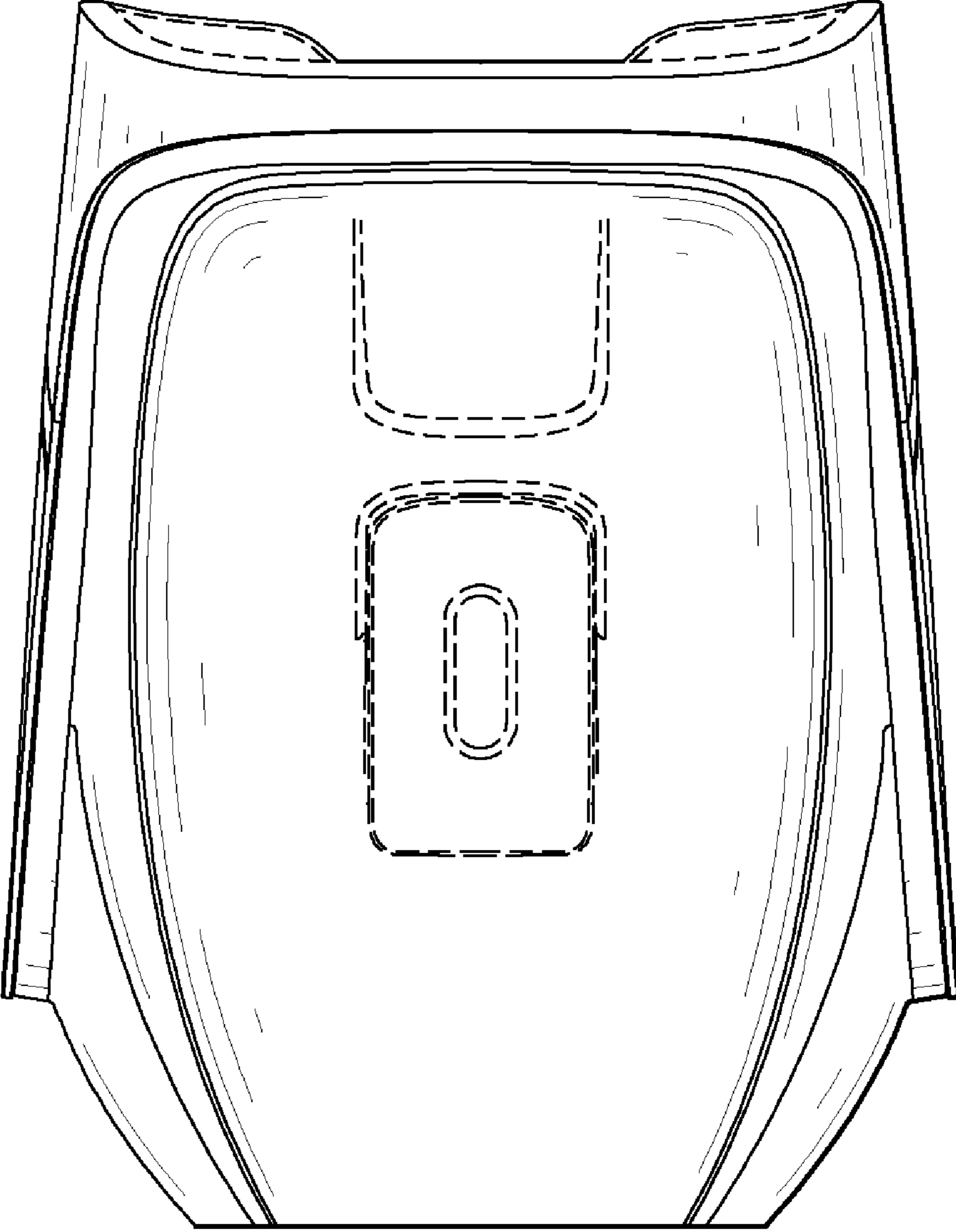


FIG. 3

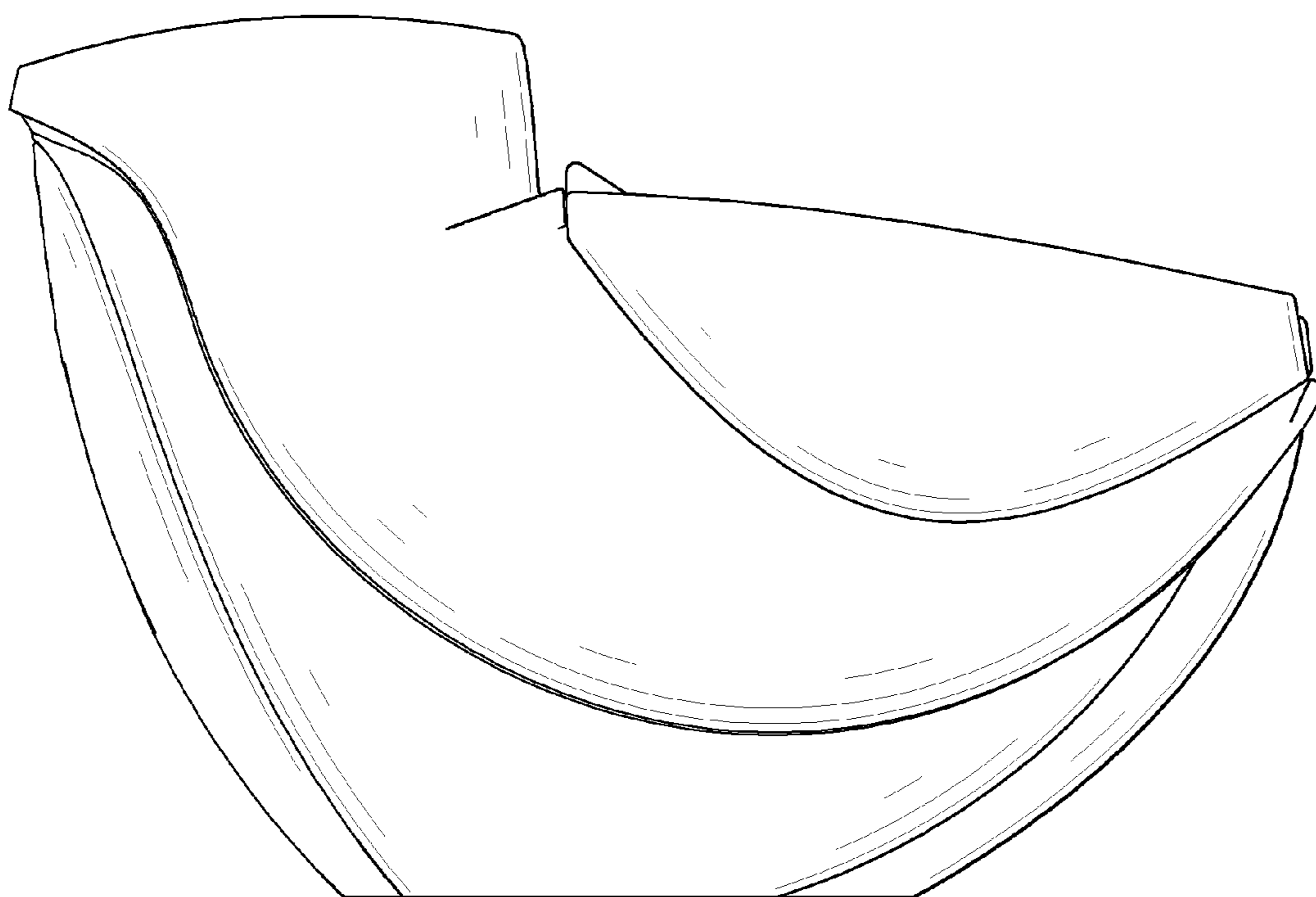


FIG. 4

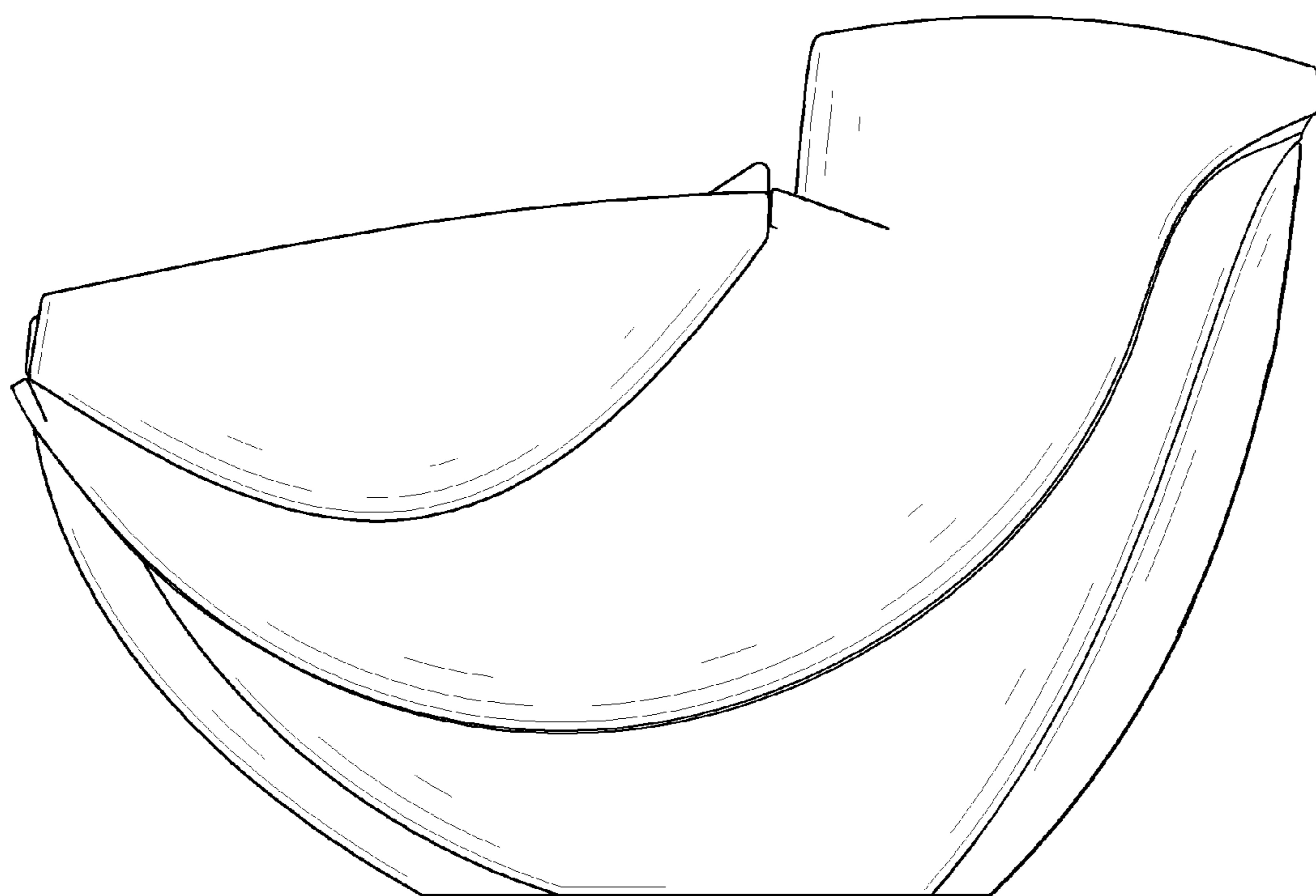


FIG. 5

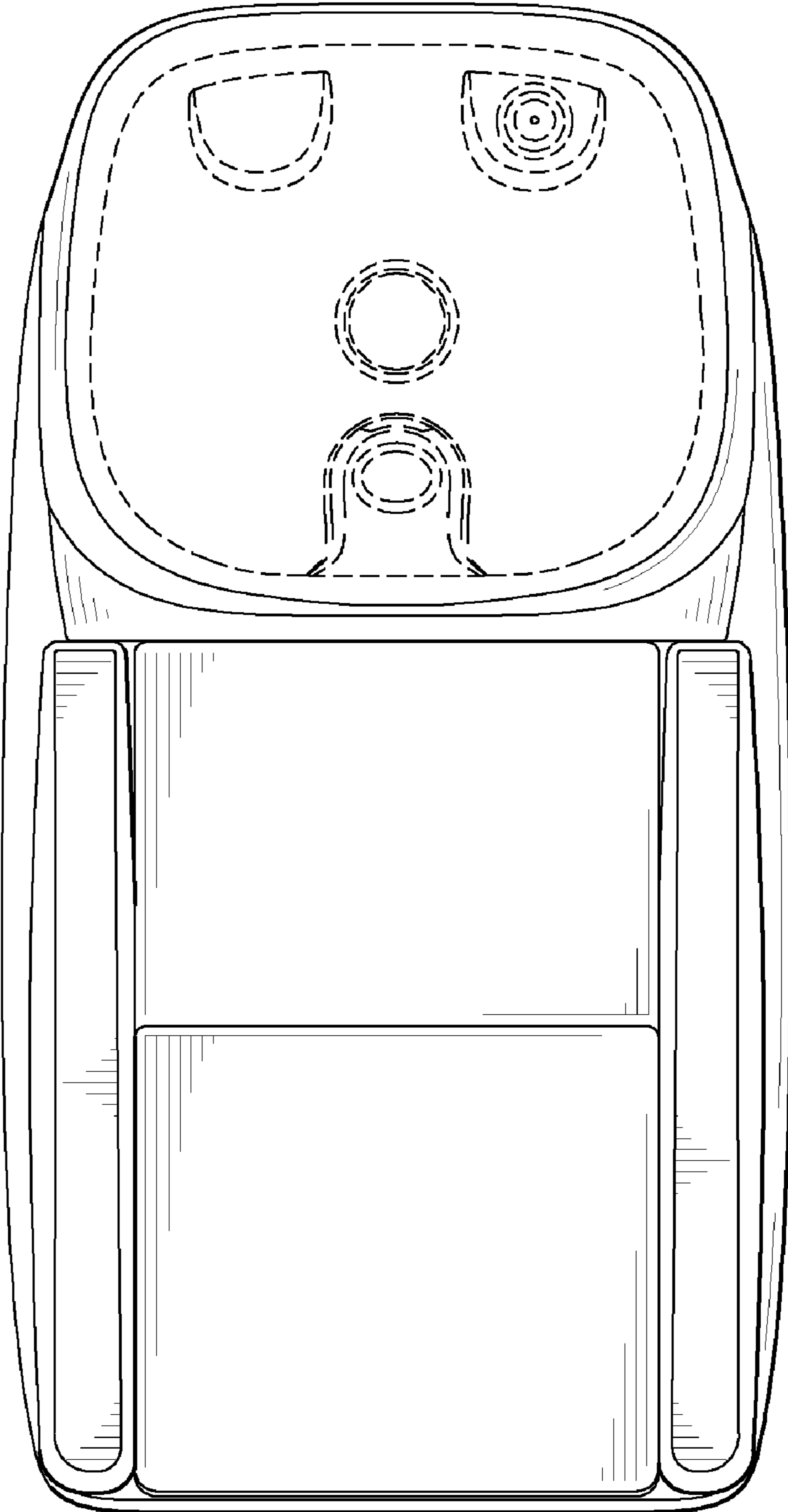


FIG. 6

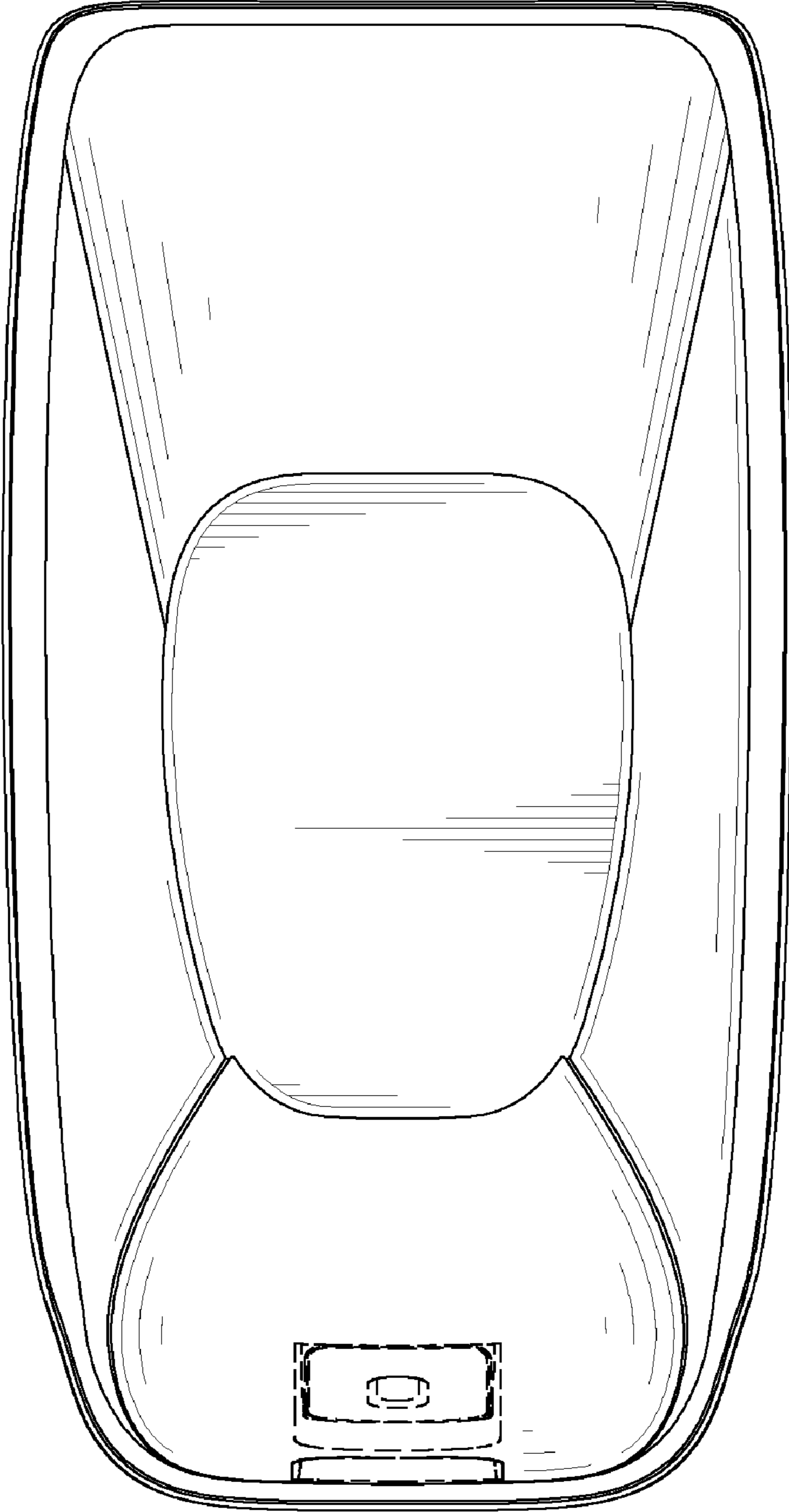


FIG. 7