

US00D636191S

(12) **United States Design Patent**
Ton

(10) **Patent No.:** **US D636,191 S**

(45) **Date of Patent:** **** Apr. 19, 2011**

(54) **PEDICURE SPA**

D620,126 S * 7/2010 Le D24/204
D623,428 S * 9/2010 Galati et al. D6/336

(76) Inventor: **Quy That Ton**, Baton Rouge, LA (US)

* cited by examiner

(**) Term: **14 Years**

Primary Examiner — Sandra Snapp

(21) Appl. No.: **29/367,254**

(74) *Attorney, Agent, or Firm* — Duane Morris LLP

(22) Filed: **Aug. 5, 2010**

(57) **CLAIM**

The ornamental design for a pedicure spa, as shown and described.

(51) **LOC (9) Cl.** **06-01**

(52) **U.S. Cl.** **D6/336**

(58) **Field of Classification Search** D6/330,
D6/335–338, 340, 349–355, 358, 359, 364,
D6/366, 376, 491, 495, 500–502; 297/16.1,
297/39, 46, 135, 140, 156, 158.3, 158.4,
297/175, 177, 187, 195.1, 195.11, 211, 245,
297/423.1, 423.16, 445.1, 461, 462; D23/277,
D23/289; D24/204

DESCRIPTION

See application file for complete search history.

FIG. 1 is a perspective view showing the front, left and upper side of my new pedicure spa;

FIG. 2 is a perspective view showing the rear, right and upper side of the pedicure spa shown in FIG. 1;

FIG. 3 is a left side elevation view of the pedicure spa of FIG. 1;

FIG. 4 is a right side elevation view of the pedicure spa of FIG. 1;

FIG. 5 is a front elevation view of the pedicure spa of FIG. 1;

FIG. 6 is a rear elevation view of the pedicure spa of FIG. 1;

and,

FIG. 7 is a top plan view of the pedicure spa of FIG. 1.

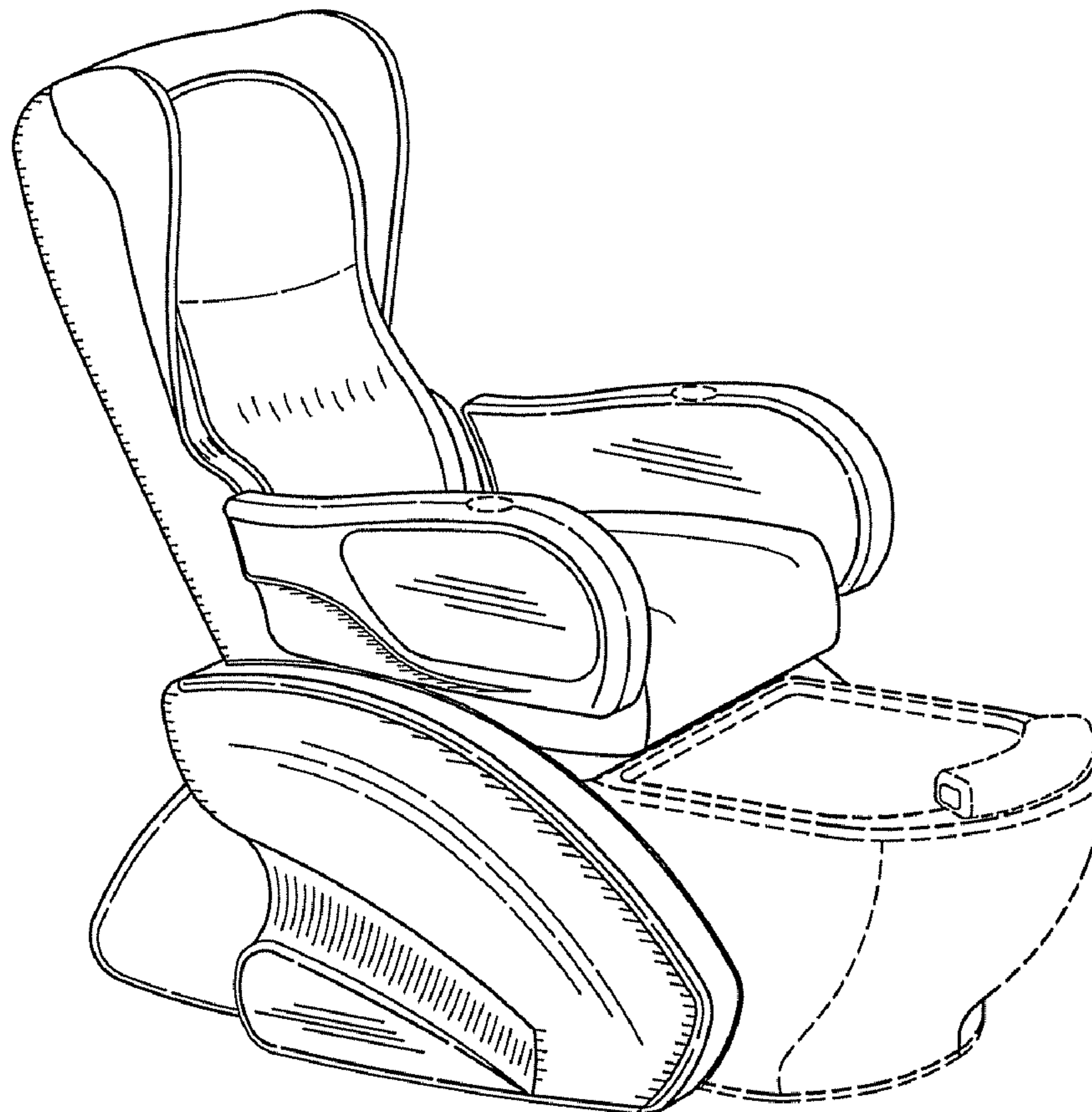
The broken lines shown in the drawings are for illustrative purposes only and form no part of the claimed design.

(56) **References Cited**

U.S. PATENT DOCUMENTS

D498,599 S * 11/2004 Luong D6/336
D562,575 S * 2/2008 Le D6/336
D576,806 S * 9/2008 Le D6/336
D591,963 S * 5/2009 Lifeng D6/336
D619,727 S * 7/2010 Le D24/204

1 Claim, 4 Drawing Sheets



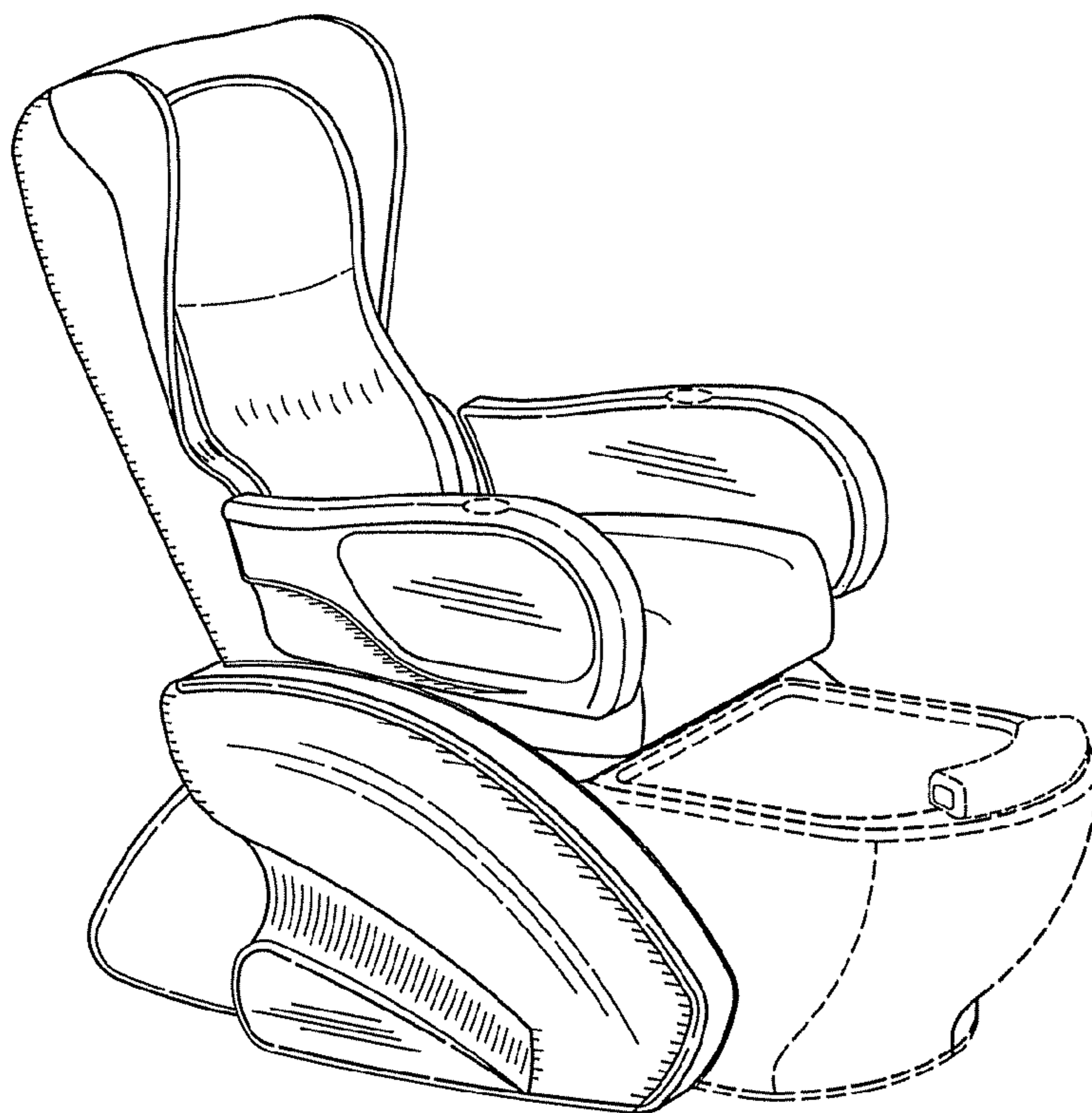


FIG. 1

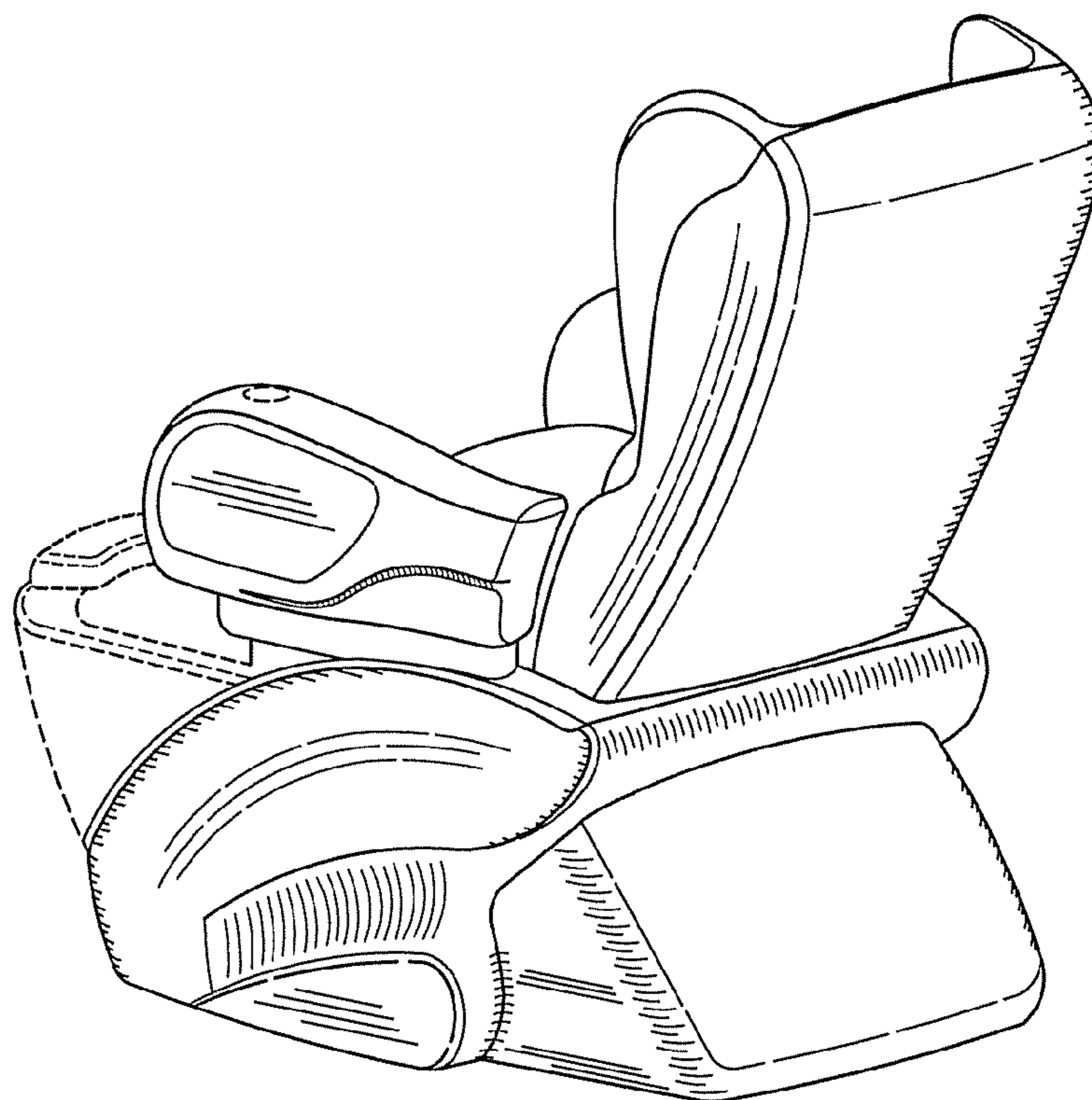


FIG. 2

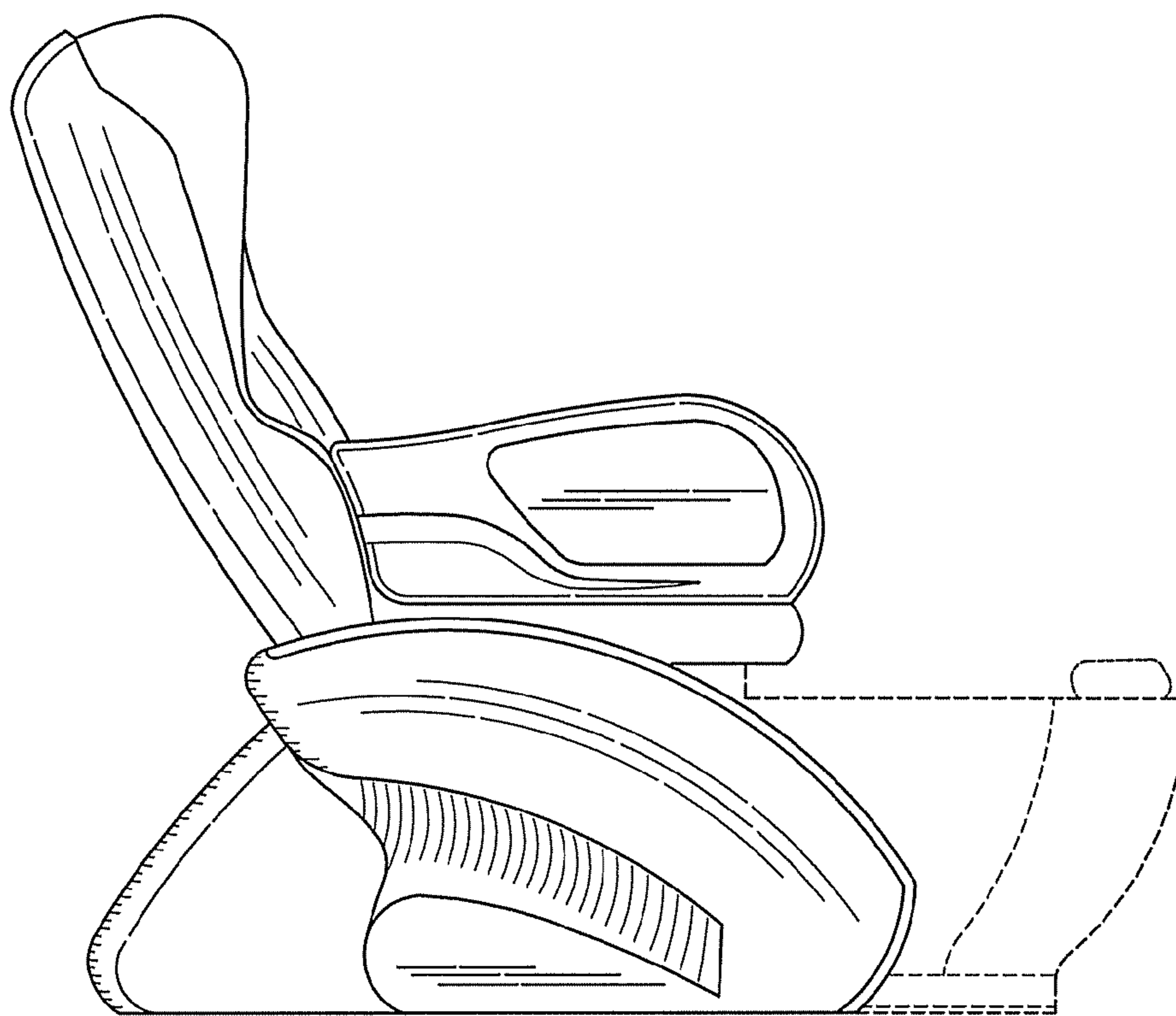


FIG. 3

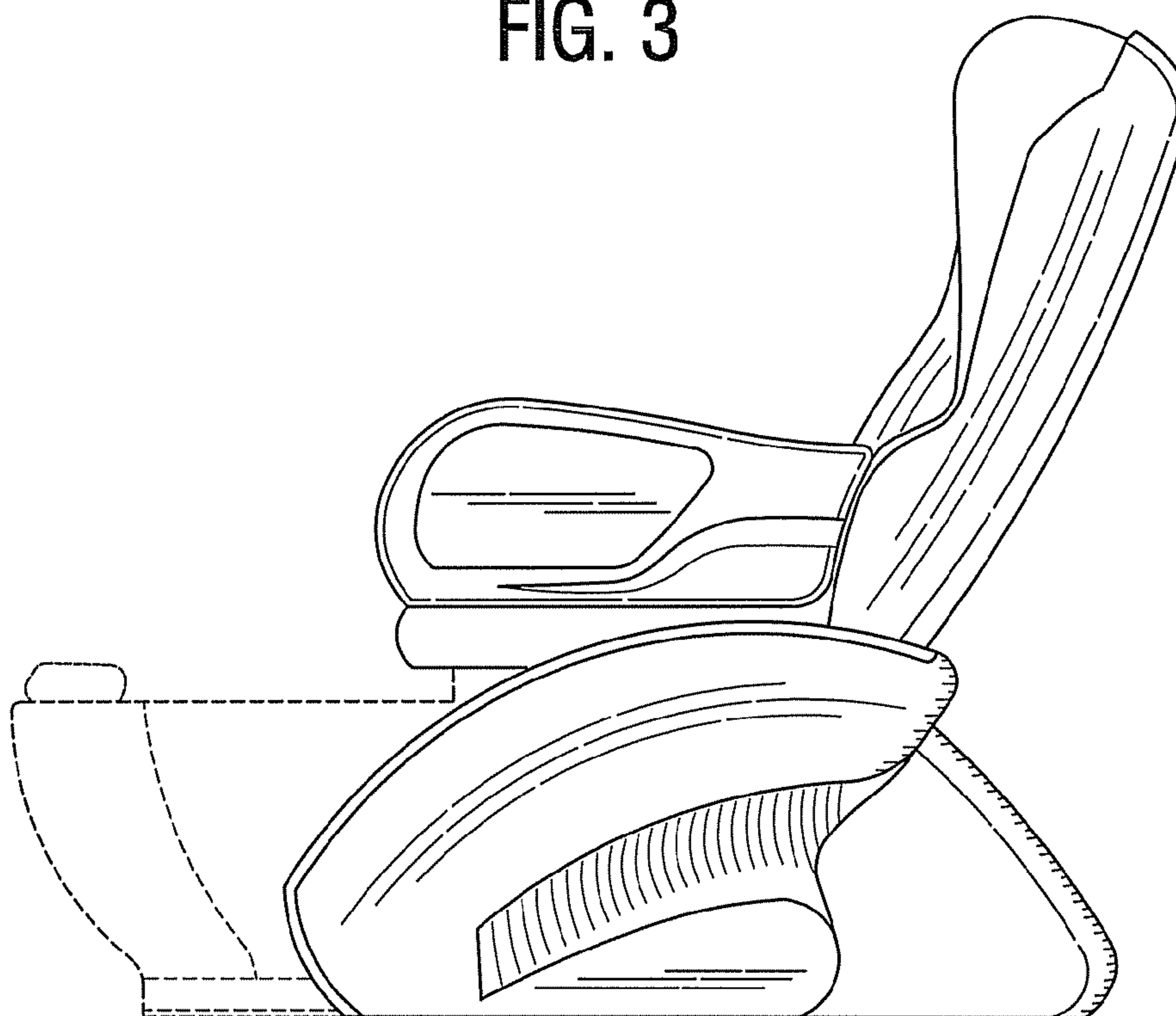


FIG. 4

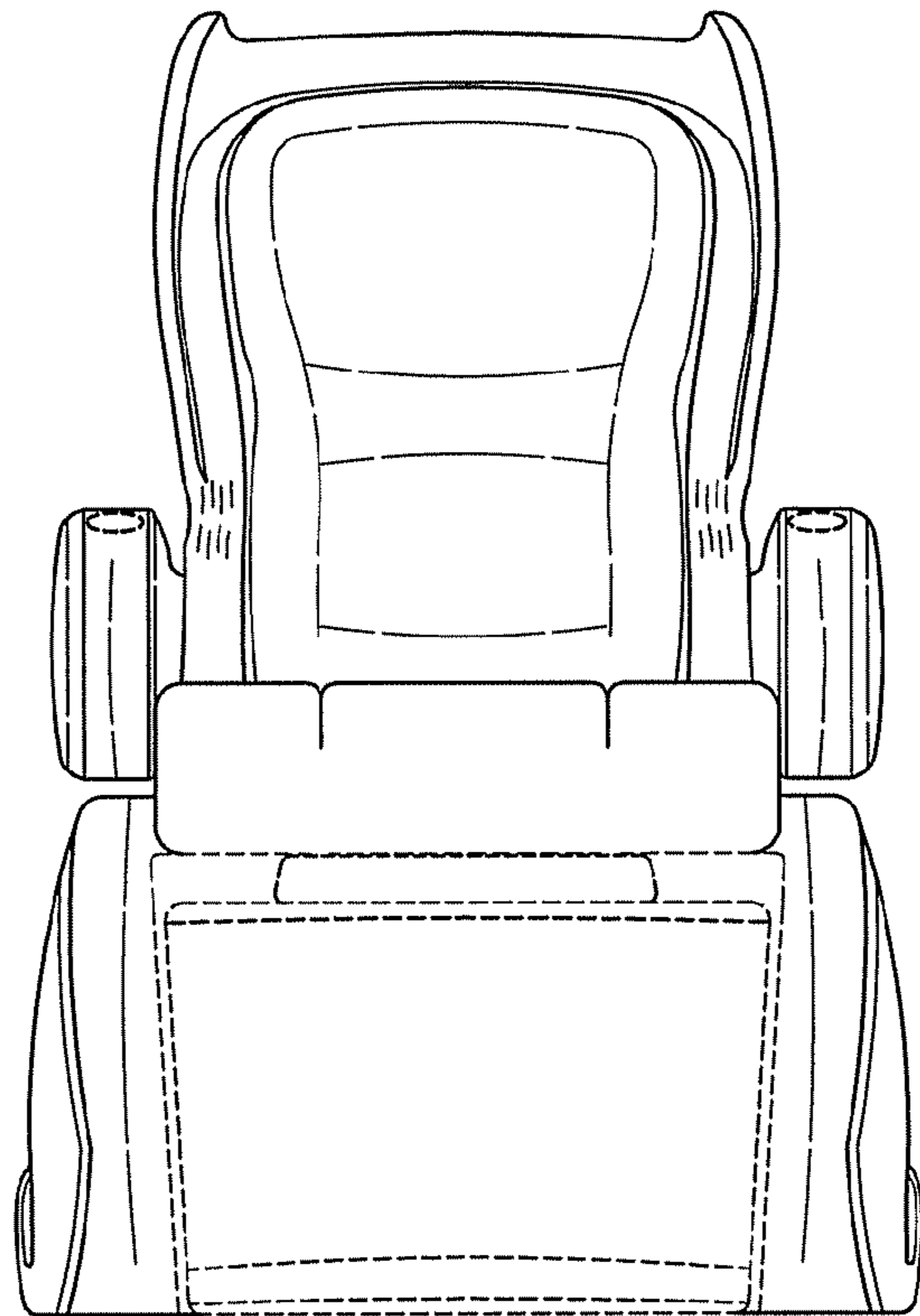


FIG. 5

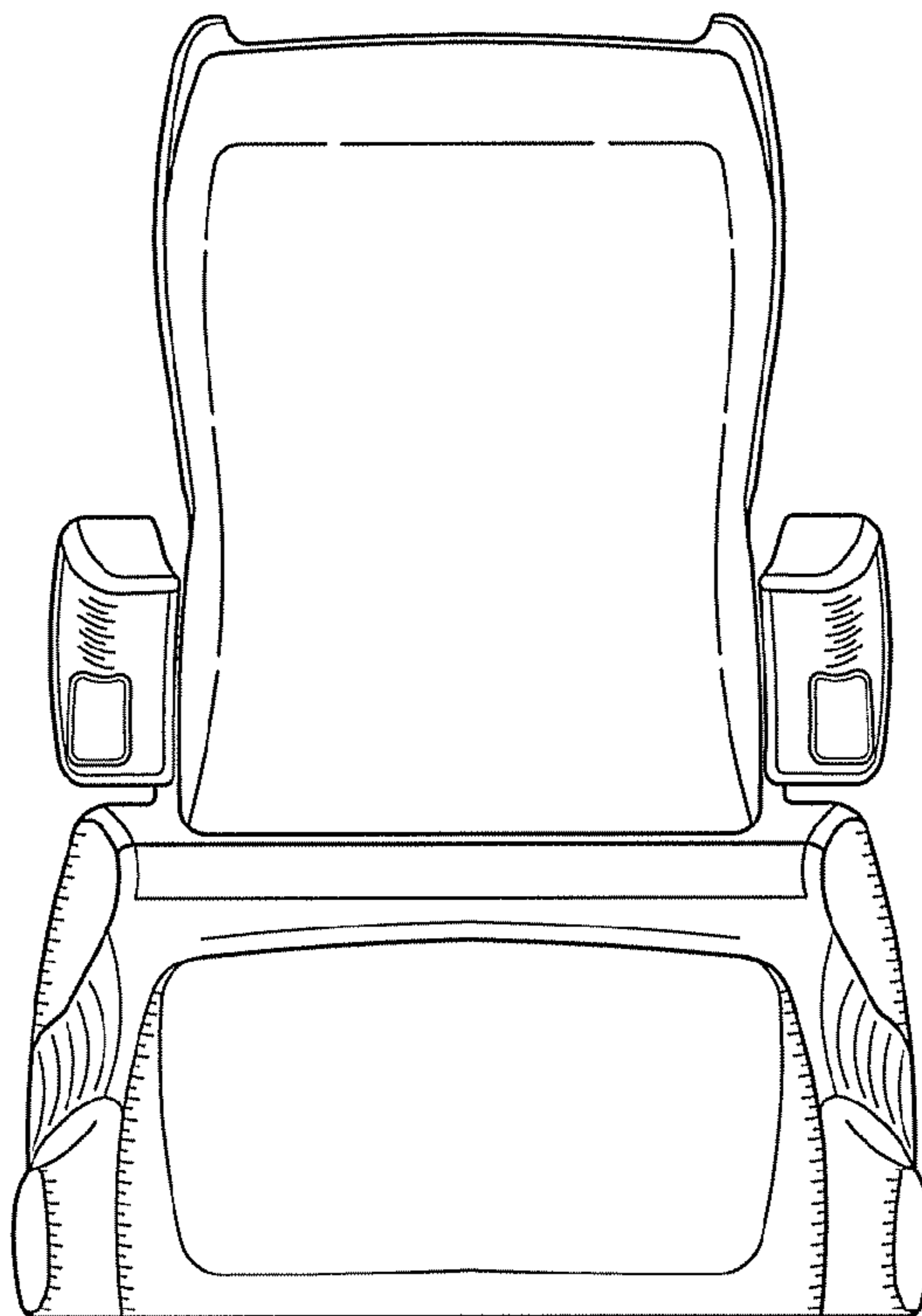


FIG. 6

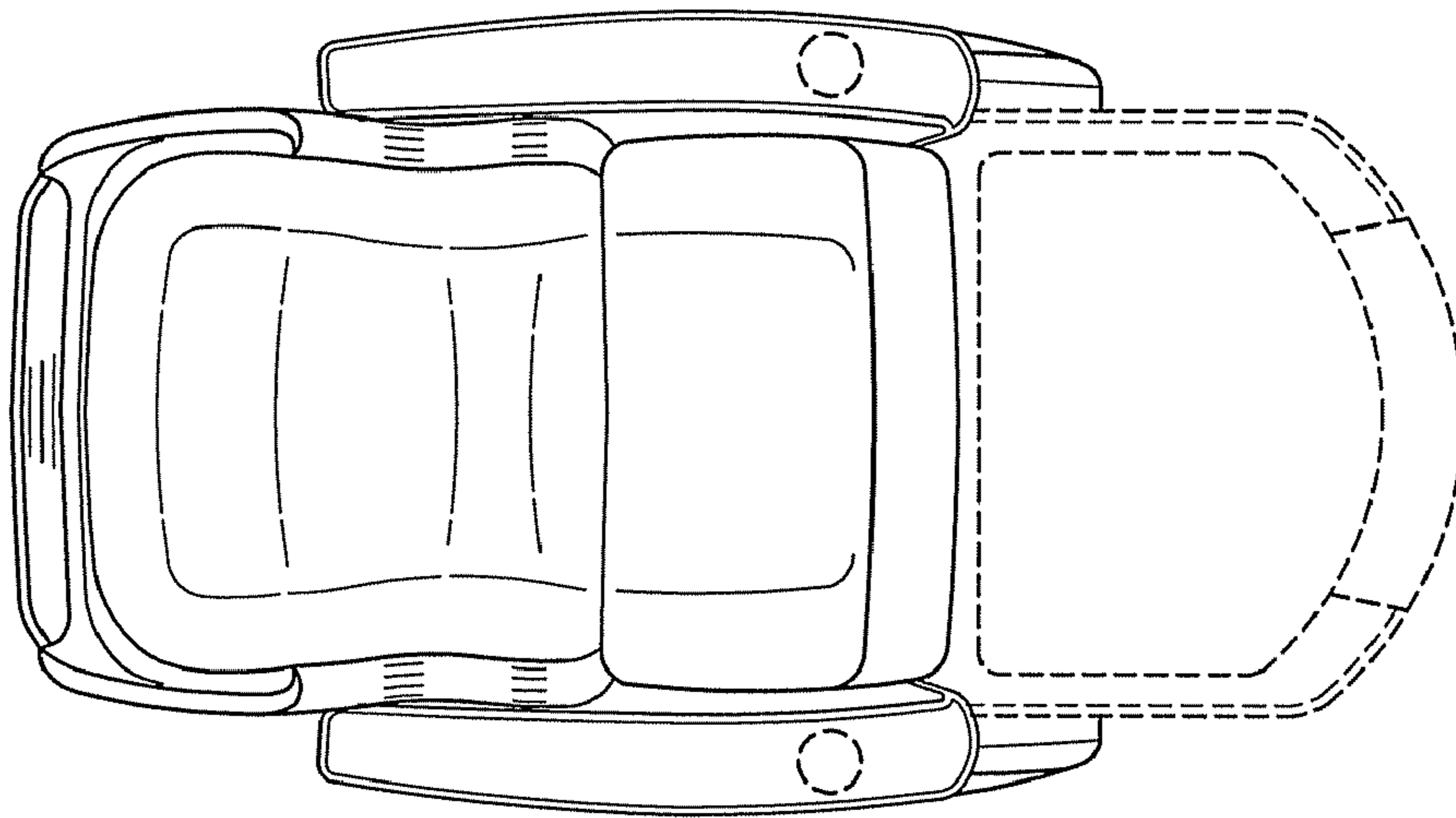


FIG. 7