

US00D636188S

(12) **United States Design Patent**
Kim et al.

(10) **Patent No.:** **US D636,188 S**

(45) **Date of Patent:** **** Apr. 19, 2011**

(54) **ELECTRONIC FRAME**

(75) Inventors: **Kyoung-Hoon Kim**, Kyunggi-do (KR);
Jin-Su Park, Seoul (KR); **Dae-Hun Jung**, Seoul (KR)

(73) Assignee: **Samsung Electronics Co., Ltd.**,
Kyunggi-do (KR)

(**) Term: **14 Years**

(21) Appl. No.: **29/370,233**

(22) Filed: **Jun. 17, 2010**

(51) **LOC (9) Cl.** **06-07**

(52) **U.S. Cl.** **D6/308; D6/310**

(58) **Field of Classification Search** D6/300-314;
40/700, 768, 717, 714, 721, 735, 773; D14/371,
D14/372, 448, 449, 450, 374, 381, 382, 336,
D14/337, 250, 146, 341, 496, 331, 126, 130;
D20/10; D10/24, 75, 2; 428/138; 206/454
See application file for complete search history.

(56) **References Cited**

U.S. PATENT DOCUMENTS

D572,023	S	7/2008	Park	
D572,025	S	7/2008	Kwon	
D604,295	S *	11/2009	Isonaga	D14/336
D613,338	S *	4/2010	Marukos	D20/10
D613,951	S *	4/2010	Tang et al.	D6/308
D622,067	S *	8/2010	McDonough	D6/300
D625,929	S *	10/2010	Mitchell et al.	D6/308
D628,172	S *	11/2010	Chien	D14/126
D628,173	S *	11/2010	Chien	D14/126

OTHER PUBLICATIONS

U.S. Appl. No. 29/315,361, Applicant: Yong-Joo Lee et al., filed Jun. 18, 2009 entitled Electronic Frame.
U.S. Appl. No. 29/349,013, Applicant: Yong-Joo Lee et al., filed Mar. 2, 2010 entitled Electronic Frame.
U.S. Appl. No. 29/349,411, Applicant: Ok-Keun Lee et al., filed Mar. 31, 2010 entitled Electronic Frame.
U.S. Appl. No. 29/349,412, Applicant: Yong-Joo Lee et al., filed Mar. 31, 2010 entitled Electronic Frame.
U.S. Appl. No. 29/370,231, Applicant: Ok-Keun Lee et al., filed Jun. 17, 2010 entitled Electronic Frame.

* cited by examiner

Primary Examiner — Philip S Hyder

Assistant Examiner — Sydney R Buffalow

(74) *Attorney, Agent, or Firm* — Flynn, Thiel, Boutell & Tanis, P.C.

(57) **CLAIM**

The ornamental design for an electronic frame, as shown and described.

DESCRIPTION

FIG. 1 is a top front perspective view of an electronic frame showing our new design;

FIG. 2 is a front elevational view thereof;

FIG. 3 is a rear elevational view thereof;

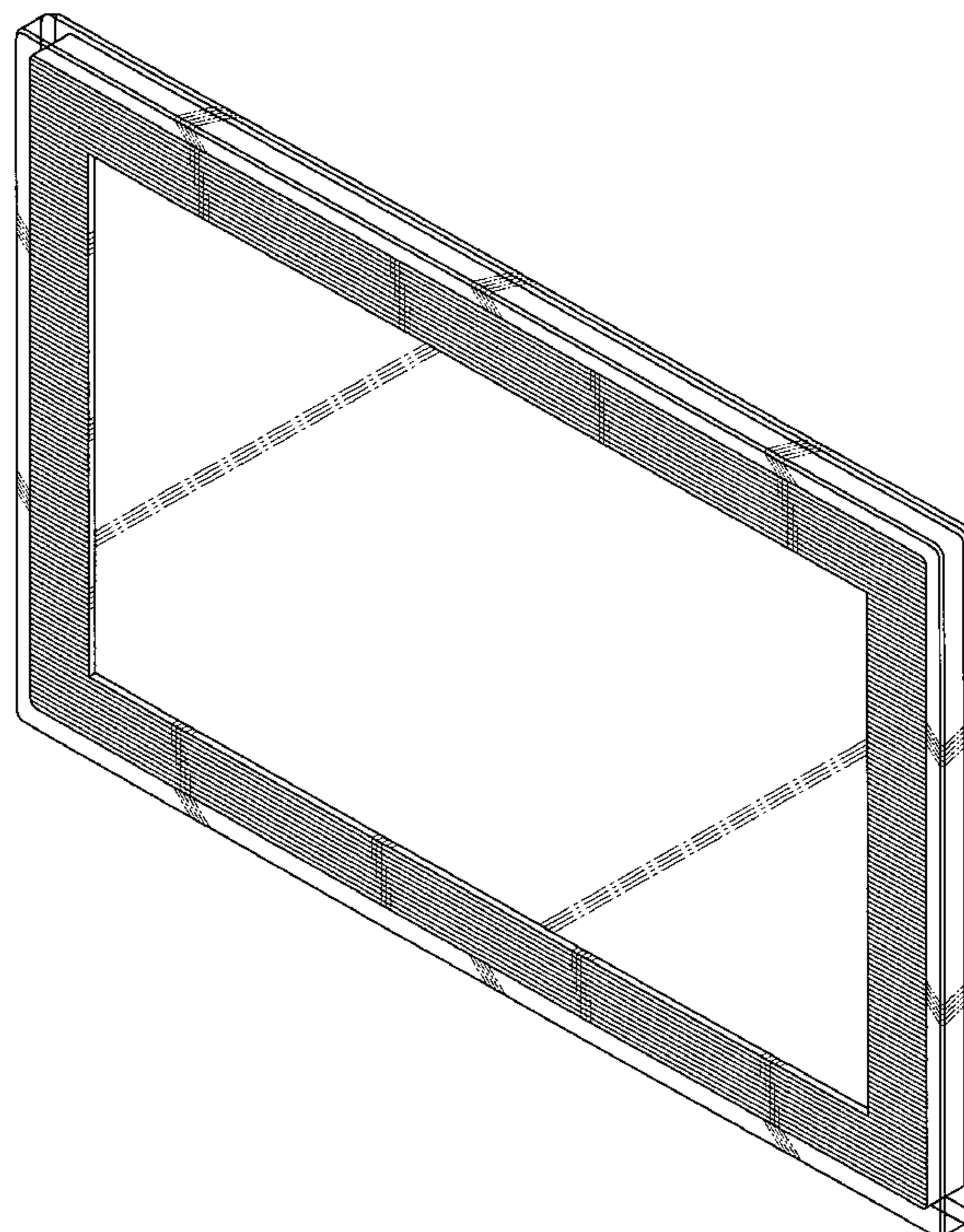
FIG. 4 is a left side elevational view thereof;

FIG. 5 is a right side elevational view thereof;

FIG. 6 is a top plan view thereof; and,

FIG. 7 is a bottom plan view.

1 Claim, 3 Drawing Sheets



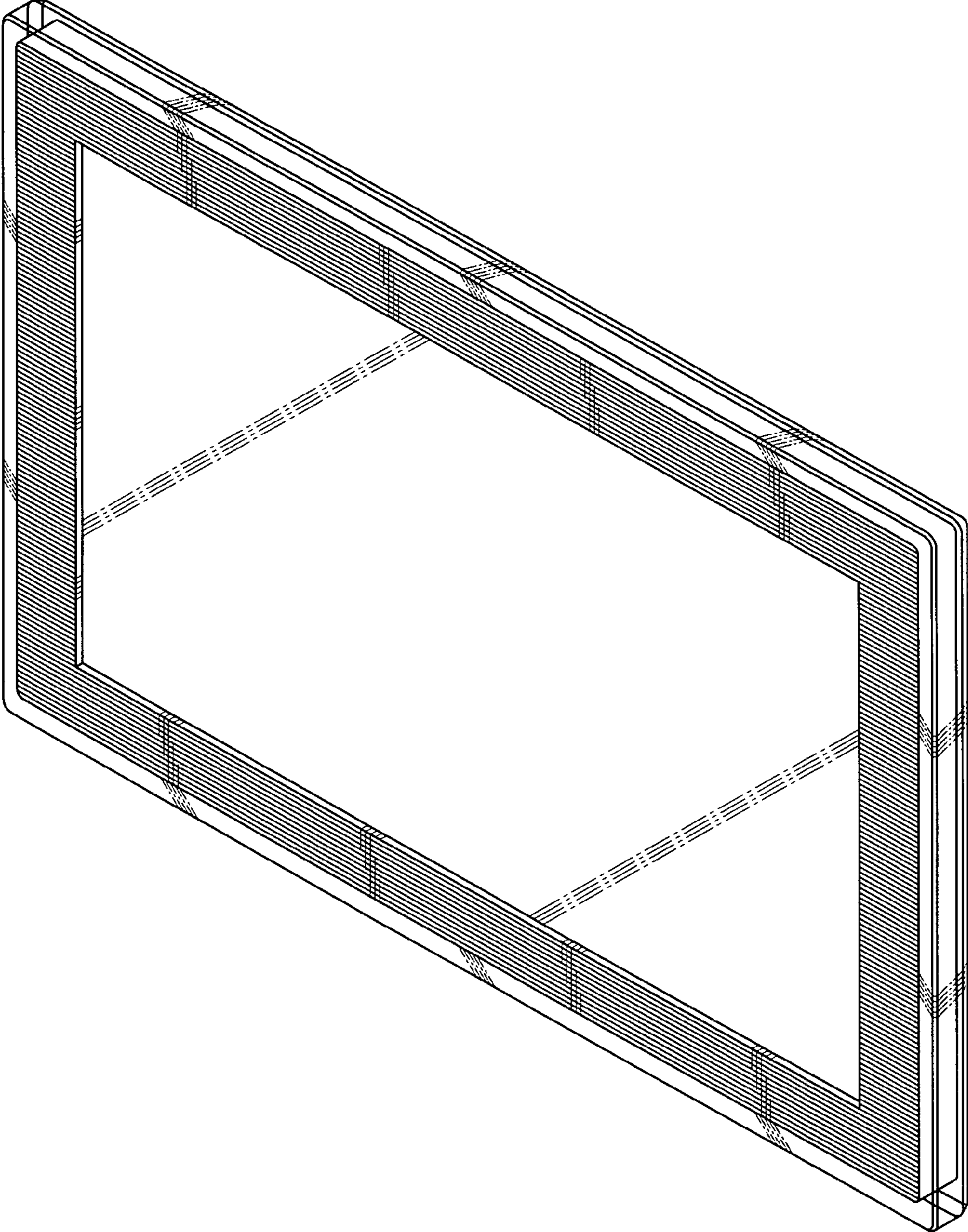


FIG. 1

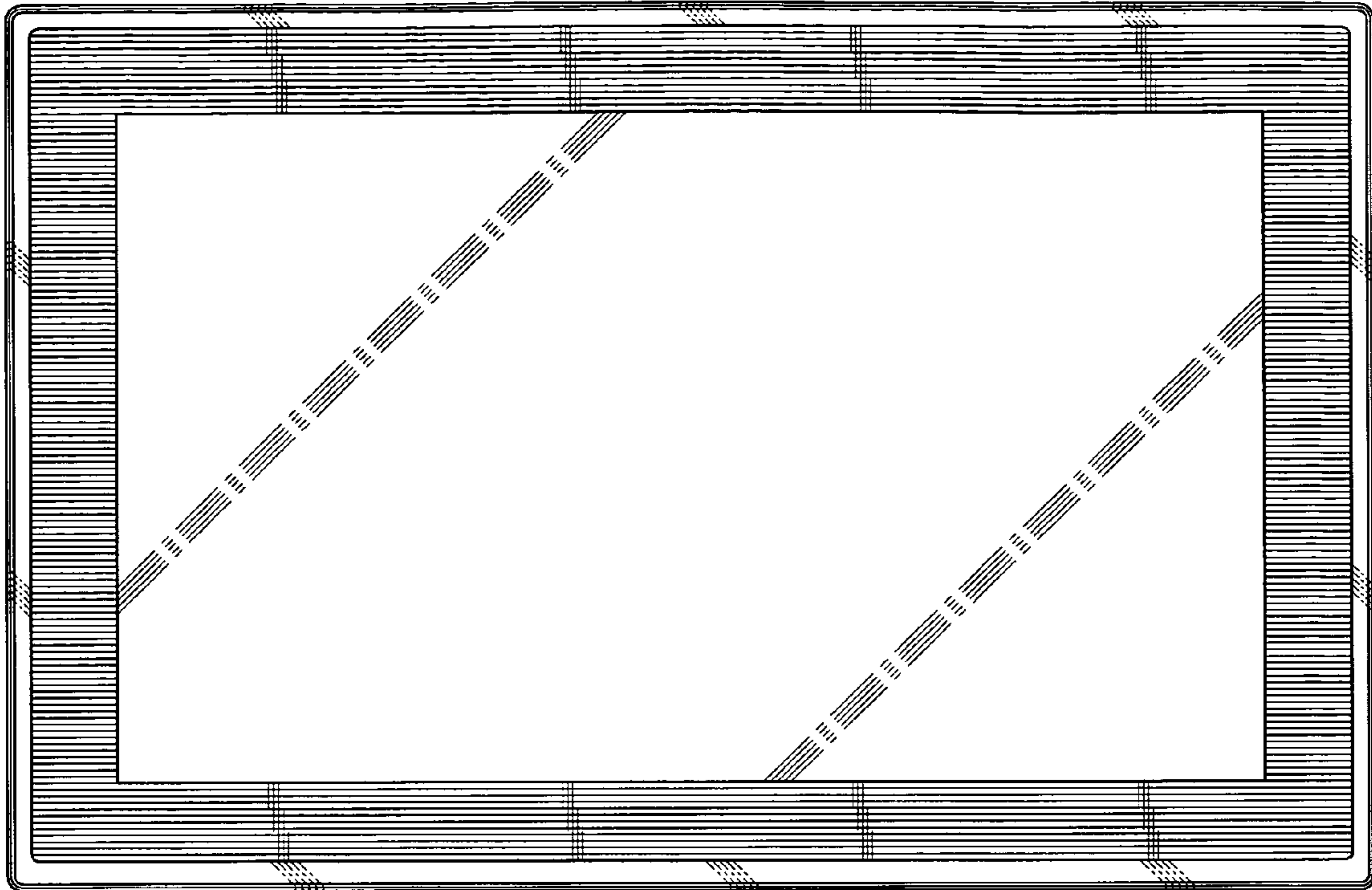


FIG. 2

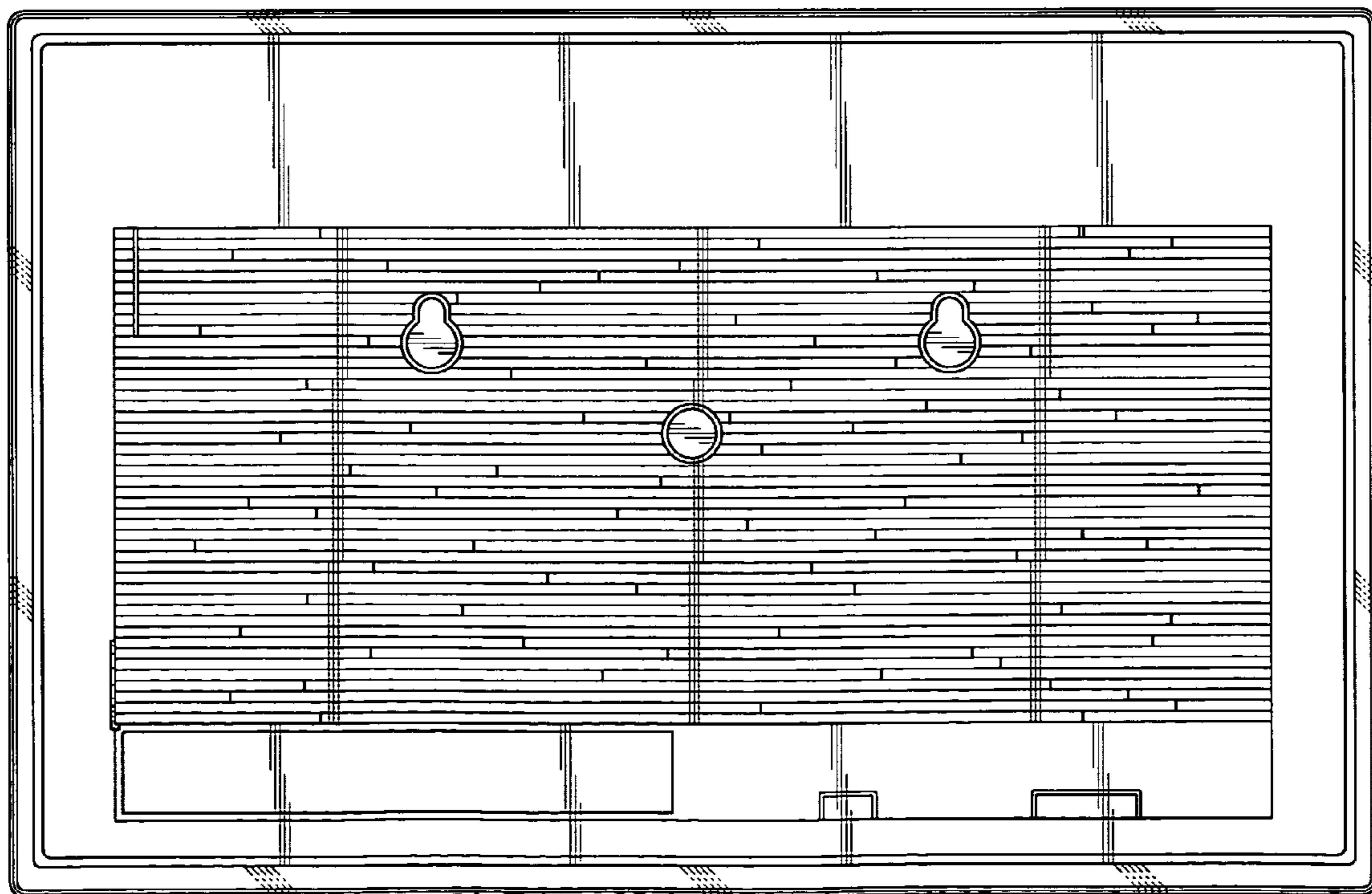


FIG. 3

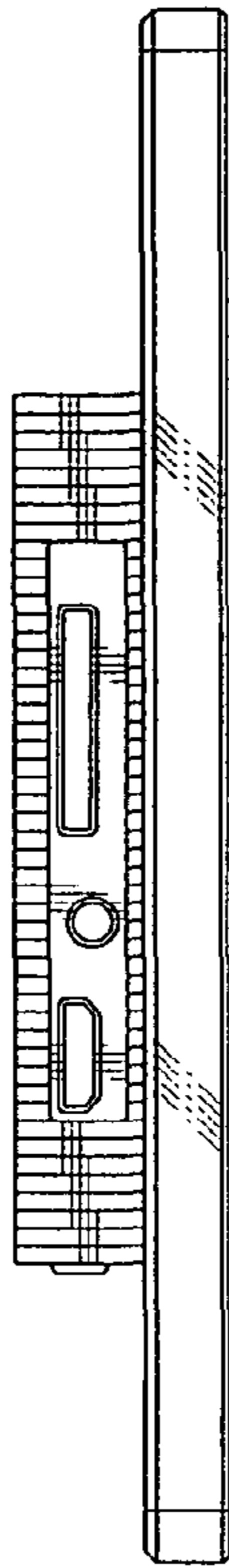


FIG. 4

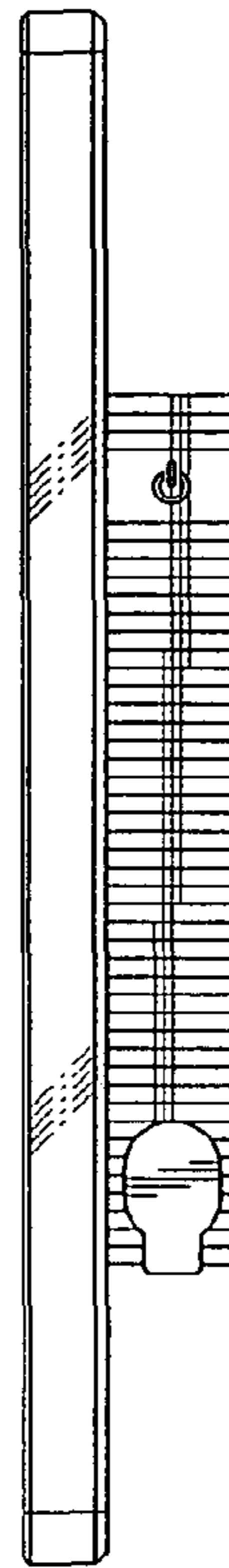


FIG. 5

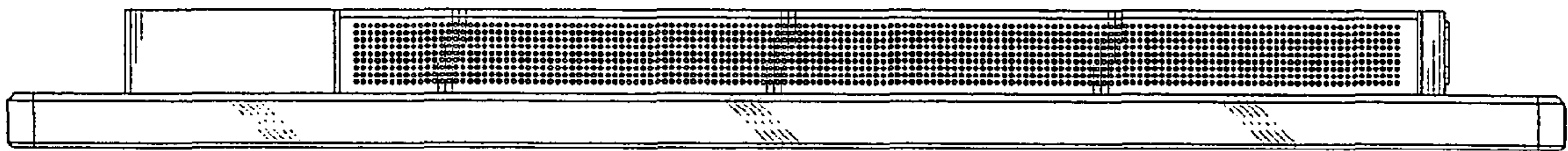


FIG. 6

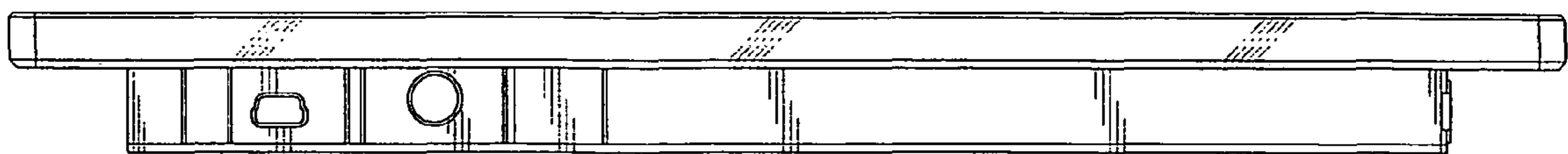


FIG. 7