



US00D636183S

(12) **United States Design Patent**
Bolt et al.

(10) **Patent No.:** **US D636,183 S**

(45) **Date of Patent:** **** *Apr. 19, 2011**

(54) **TOOL TRAY FOR INTERACTIVE SURFACE**

(75) Inventors: **Stephen Patrick Bolt**, Stittsville (CA);
Paul Anthony Auger, Osgoode (CA);
Sean Thompson, Calgary (CA)

(73) Assignee: **SMART Technologies ULC** (CA)

(**) Term: **14 Years**

(21) Appl. No.: **29/358,259**

(22) Filed: **Mar. 24, 2010**

Related U.S. Application Data

(63) Continuation of application No. 29/353,746, filed on Jan. 13, 2010, now abandoned.

(51) **LOC (9) Cl.** **03-01**

(52) **U.S. Cl.** **D3/313**

(58) **Field of Classification Search** D3/304-314,
D3/282, 201, 228, 315, 319; D19/75, 78,
D19/86, 90, 91, 99, 100; D6/566, 567, 569,
D6/512, 553; 211/10, 11, 13.1, 45, 50, 52,
211/55, 87.01, 90.03, 126.9, 126.13, 88.01;
220/456, 9.4, 6, 7, 600, 1.5, 4.26, 4.28, 676;
206/503, 505, 509; D8/373

See application file for complete search history.

(56) **References Cited**

U.S. PATENT DOCUMENTS

D318,950 S * 8/1991 Chatman D12/419
D335,232 S * 5/1993 Whitlock D6/525
D357,440 S * 4/1995 Pietra D12/133
D372,968 S * 8/1996 White D23/386
D411,648 S * 6/1999 Markham D28/77

D428,701 S * 8/2000 Lamo, Jr. D3/313
D450,353 S * 11/2001 LeSourd et al. D21/385
D493,995 S * 8/2004 Chen et al. D6/553
D525,308 S * 7/2006 Lara D19/92

* cited by examiner

Primary Examiner — T. Chase Nelson

Assistant Examiner — Ania K Dworzecka

(74) *Attorney, Agent, or Firm* — Katten Muchin Rosenman LLP

(57) **CLAIM**

The ornamental design for a tool tray for interactive surface, as shown and described.

DESCRIPTION

FIG. 1 is a top perspective view of a tool tray for interactive surface showing our new design, wherein the tray is angled downward from the panel at about 17 degrees;

FIG. 2 is a front elevation view of the tool tray for interactive surface showing our new design;

FIG. 3 is a back elevation view of the tool tray for interactive surface showing our new design;

FIG. 4 is a top plan view of the tool tray for interactive surface showing our new design;

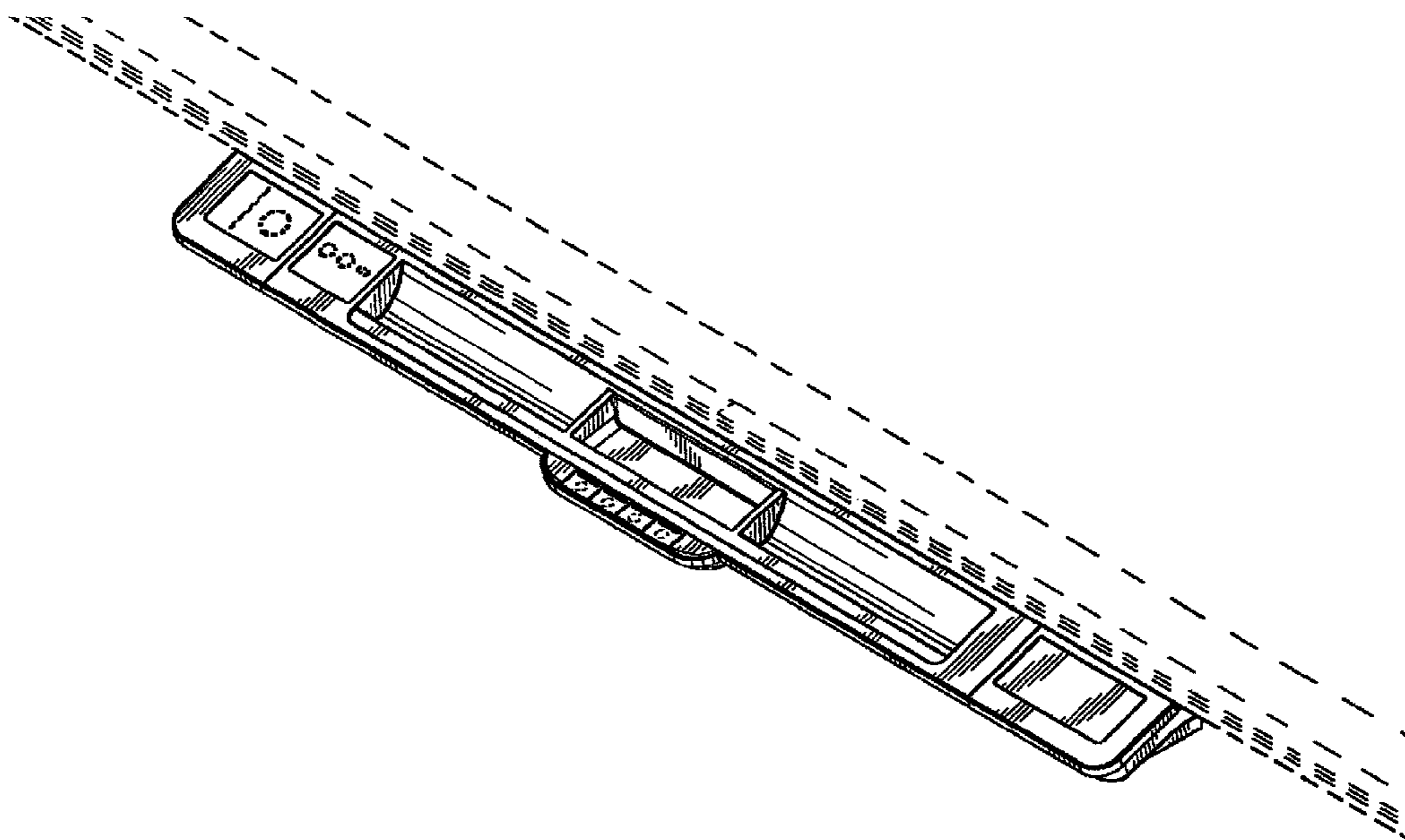
FIG. 5 is a bottom plan view of the tool tray for interactive surface showing our new design;

FIG. 6 is a left side elevation view of the tool tray for interactive surface showing our new design; and,

FIG. 7 is a right side elevation view the tool tray for interactive surface showing our new design.

The broken lines depict unclaimed structure that forms no part of the claimed design.

1 Claim, 4 Drawing Sheets



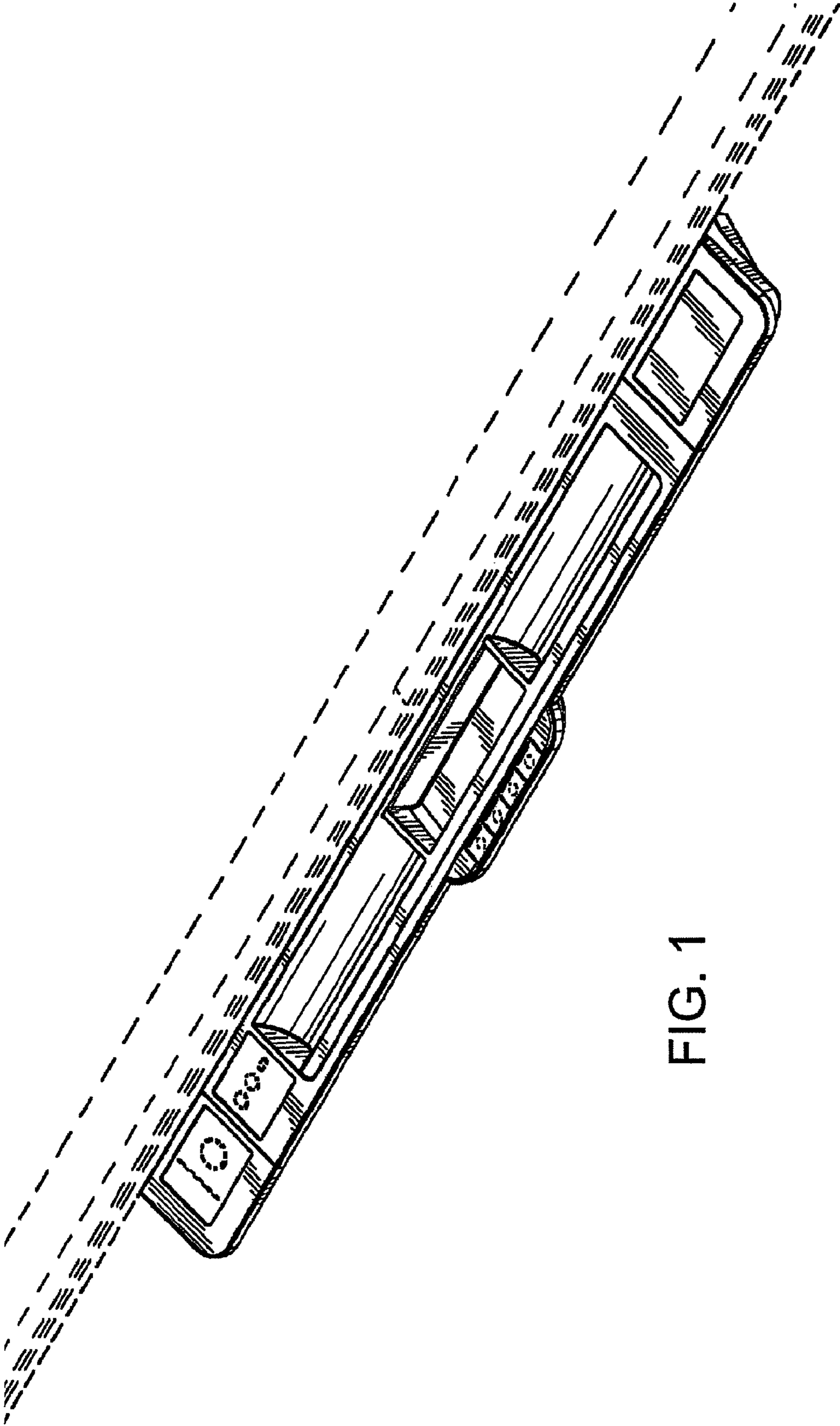


FIG. 1

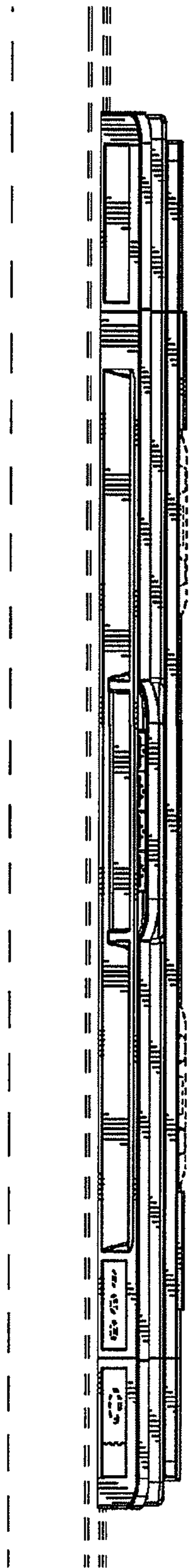


FIG. 2

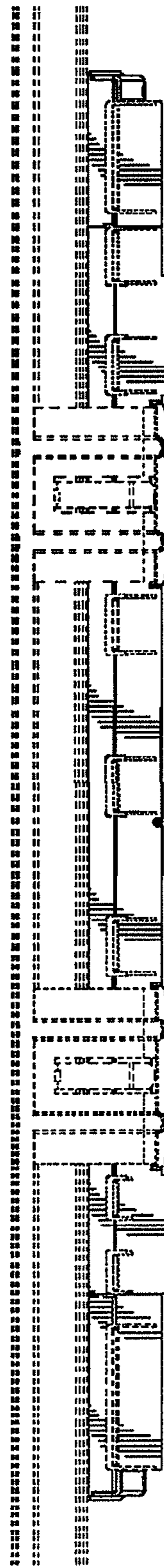


FIG. 3

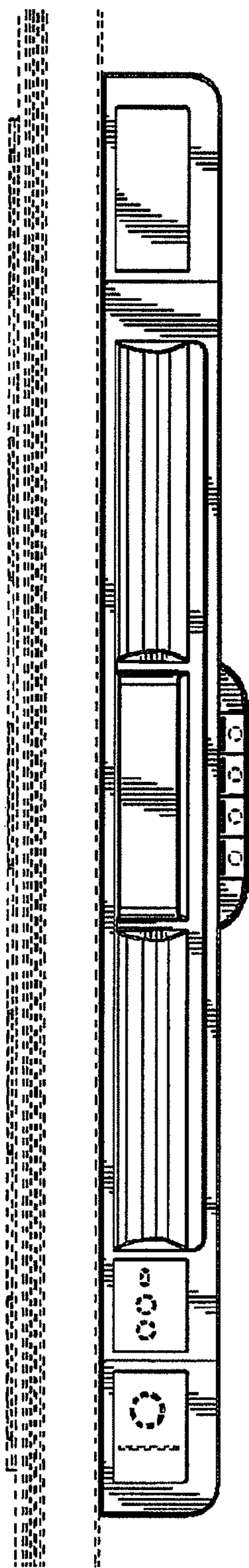


FIG. 4

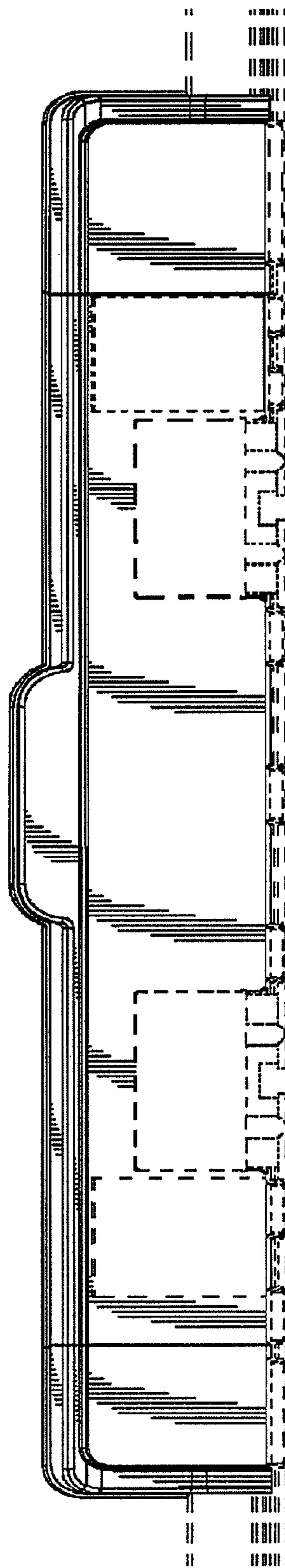


FIG. 5

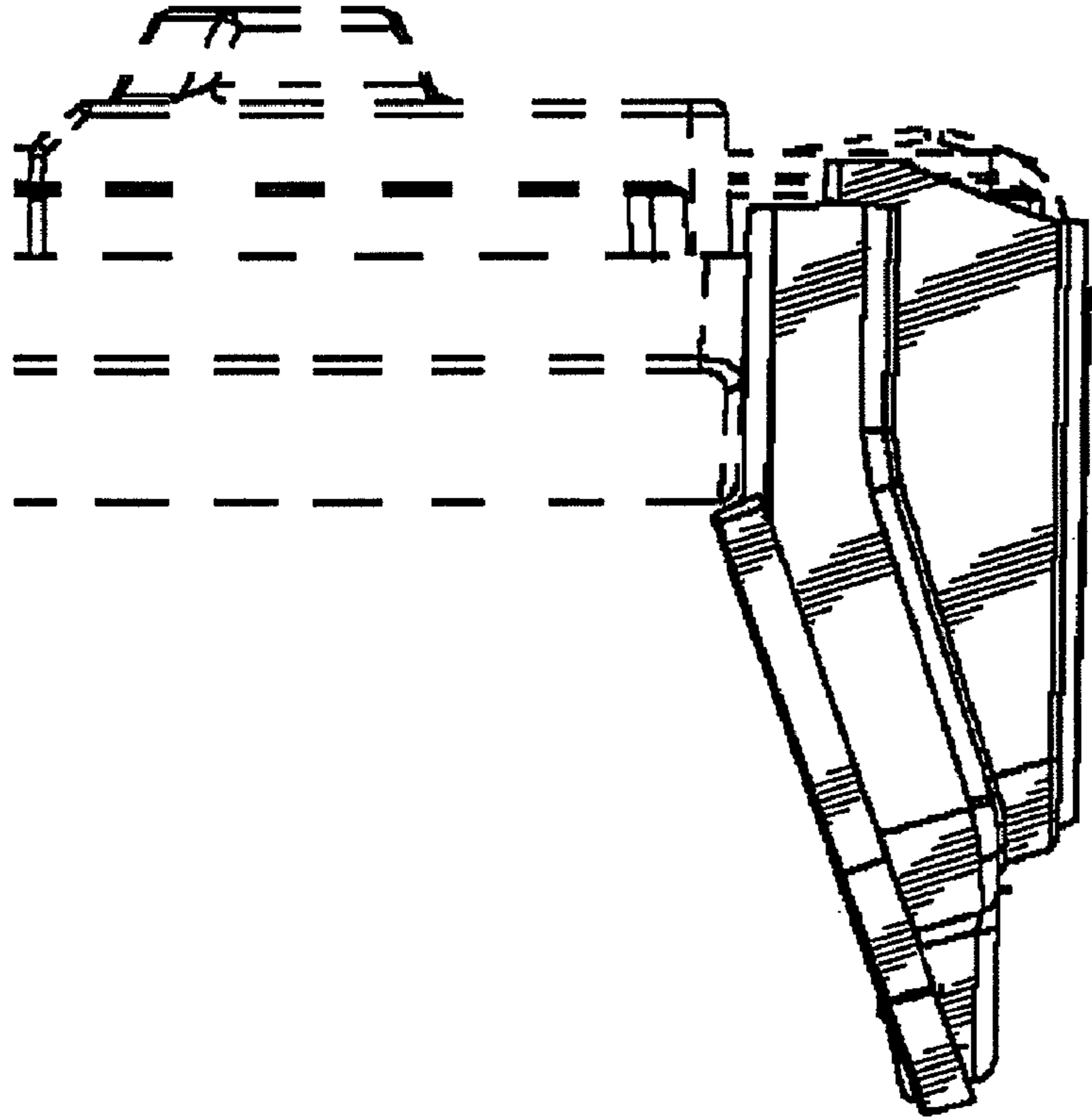


FIG. 7

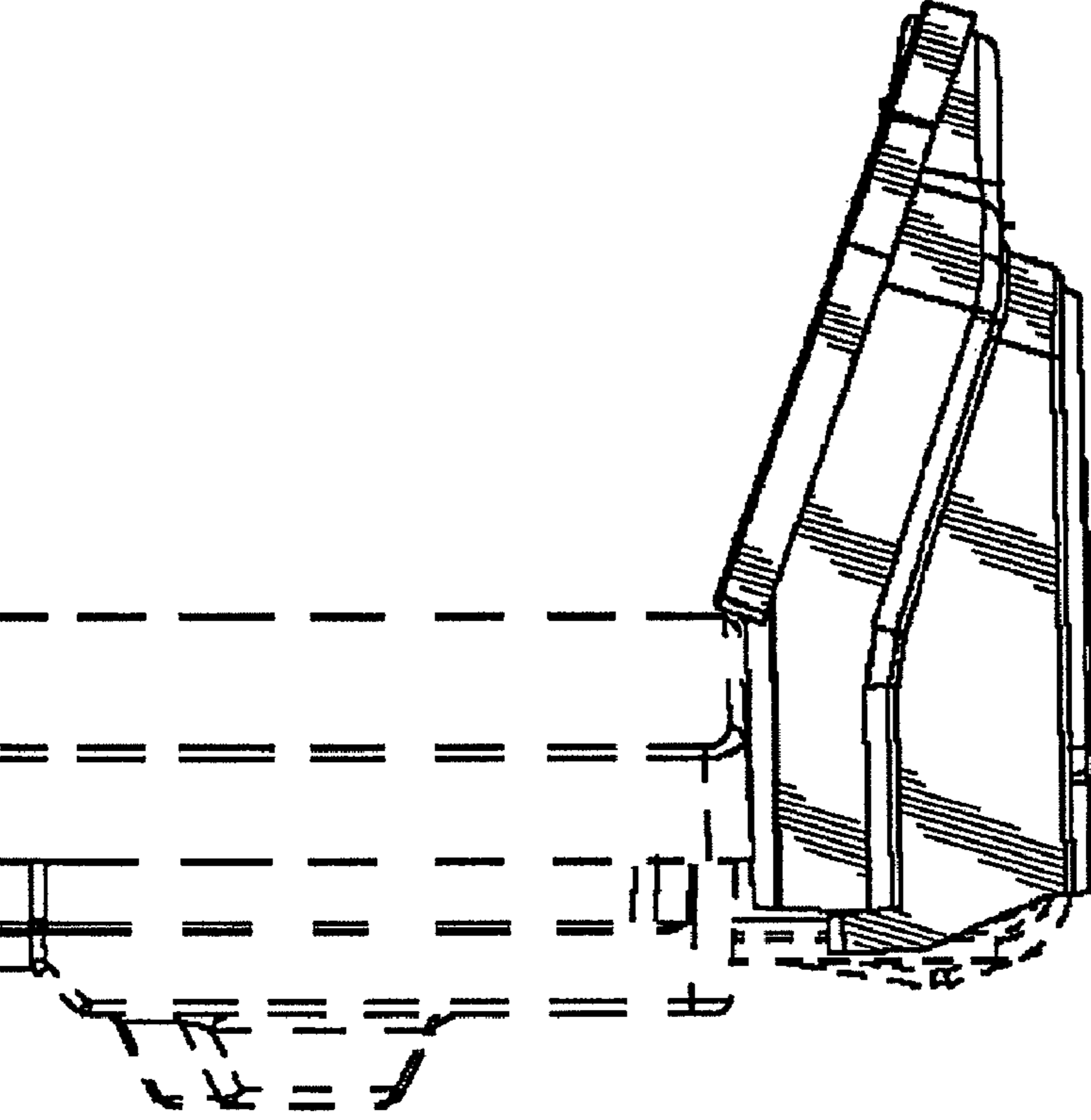


FIG. 6