



US00D636182S

(12) **United States Design Patent**
Yang

(10) **Patent No.:** **US D636,182 S**

(45) **Date of Patent:** **** Apr. 19, 2011**

- (54) **BOX**
- (76) Inventor: **Liqiang Yang, Weihai (CN)**
- (**) Term: **14 Years**
- (21) Appl. No.: **29/314,777**
- (22) Filed: **Apr. 27, 2009**
- (51) **LOC (9) Cl.** **03-01**
- (52) **U.S. Cl.** **D3/294; D3/905**
- (58) **Field of Classification Search** D3/20,
D3/205, 206, 260, 273, 294-295, 301, 905;
D21/333; 43/54.1; 206/315.11, 811; 220/4.21-4.24
See application file for complete search history.

D517,311	S *	3/2006	Kim	D3/218
7,168,204	B2 *	1/2007	Wieringa et al.	43/57.1
D544,762	S *	6/2007	Zimmerman	D7/629
D579,202	S *	10/2008	Grenier et al.	D3/294
7,533,782	B2 *	5/2009	Parker et al.	220/326
2004/0256260	A1 *	12/2004	Lin	206/315.11
2007/0234636	A1 *	10/2007	Schwartz	43/54.1
2008/0066371	A1 *	3/2008	Hoover	43/54.1

* cited by examiner

Primary Examiner — Philip S Hyder

Assistant Examiner — Roselynn Cody

(74) *Attorney, Agent, or Firm* — Seed IP Law Group PLLC

(57) **CLAIM**

The ornamental design for a box, as shown and described.

DESCRIPTION

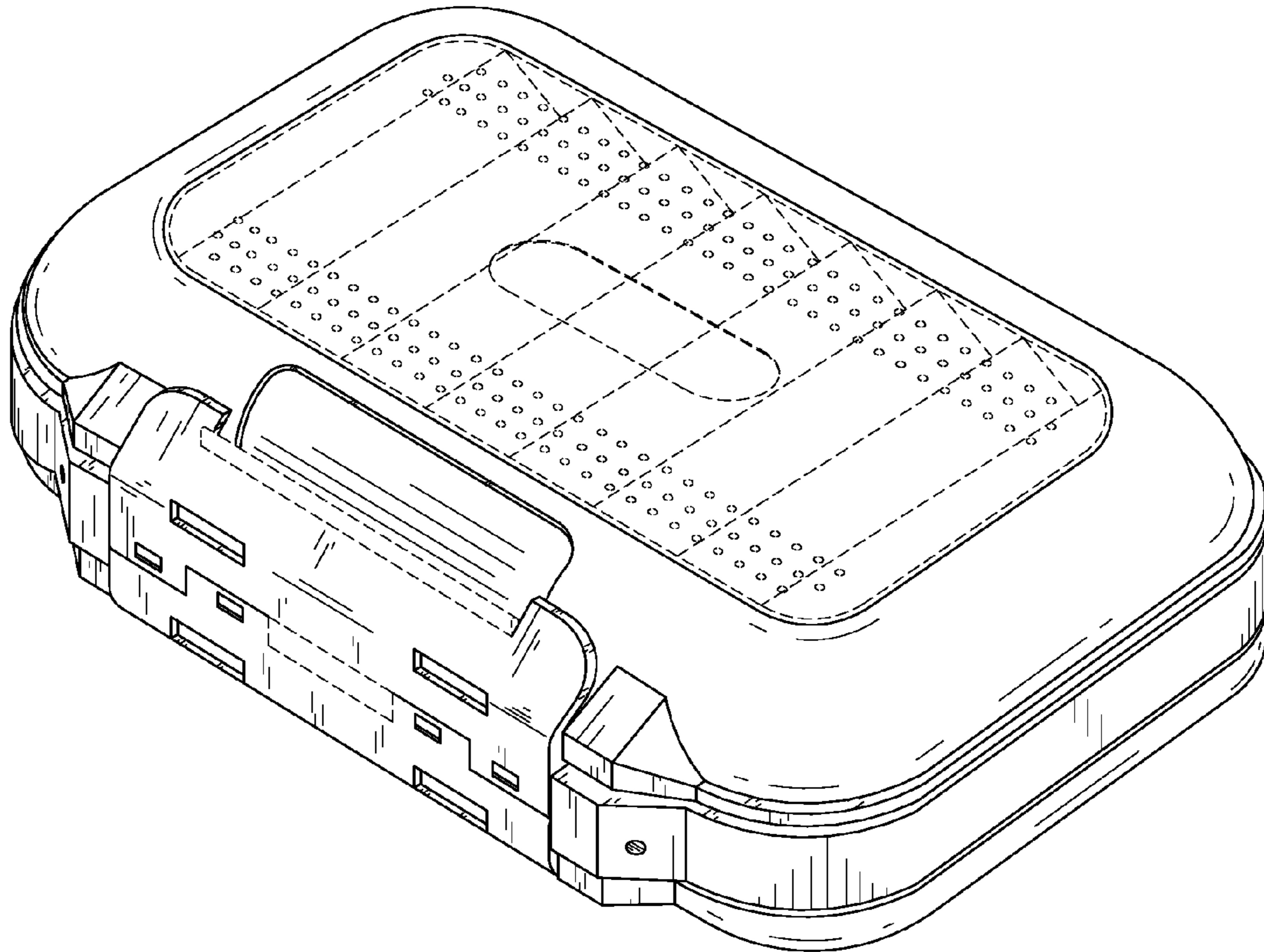
FIG. 1 is an isometric view of an embodiment of a box.
 FIG. 2 is a top plan view thereof.
 FIG. 3 is a bottom plan view thereof.
 FIG. 4 is a right side elevation view thereof indicating the area from which detail view, FIG. 5, is taken.
 FIG. 5 is a detail view of the area circled in FIG. 4.
 FIG. 6 is a left side elevation view thereof.
 FIG. 7 is a rear elevation view thereof; and,
 FIG. 8 is a front elevation view thereof.
 The broken lines in the figures illustrate portions of the design that form no part of the claim.

(56) **References Cited**

U.S. PATENT DOCUMENTS

2,610,430	A *	9/1952	Neiman	43/57.1
3,648,400	A *	3/1972	Wolfe	43/54.1
D353,048	S *	12/1994	VanSkiver et al.	D3/276
5,505,328	A *	4/1996	Stribiak	220/4.22
D419,297	S *	1/2000	Richardson et al.	D3/273
D419,768	S *	2/2000	Richardson et al.	D3/273
D464,196	S *	10/2002	Parker	D3/273
D465,330	S *	11/2002	Parker	D3/273
6,766,610	B1 *	7/2004	Lin	43/54.1
6,955,381	B2 *	10/2005	Parker et al.	292/113
D516,309	S *	3/2006	Richardson et al.	D3/273
D516,807	S *	3/2006	Richardson et al.	D3/273

1 Claim, 6 Drawing Sheets



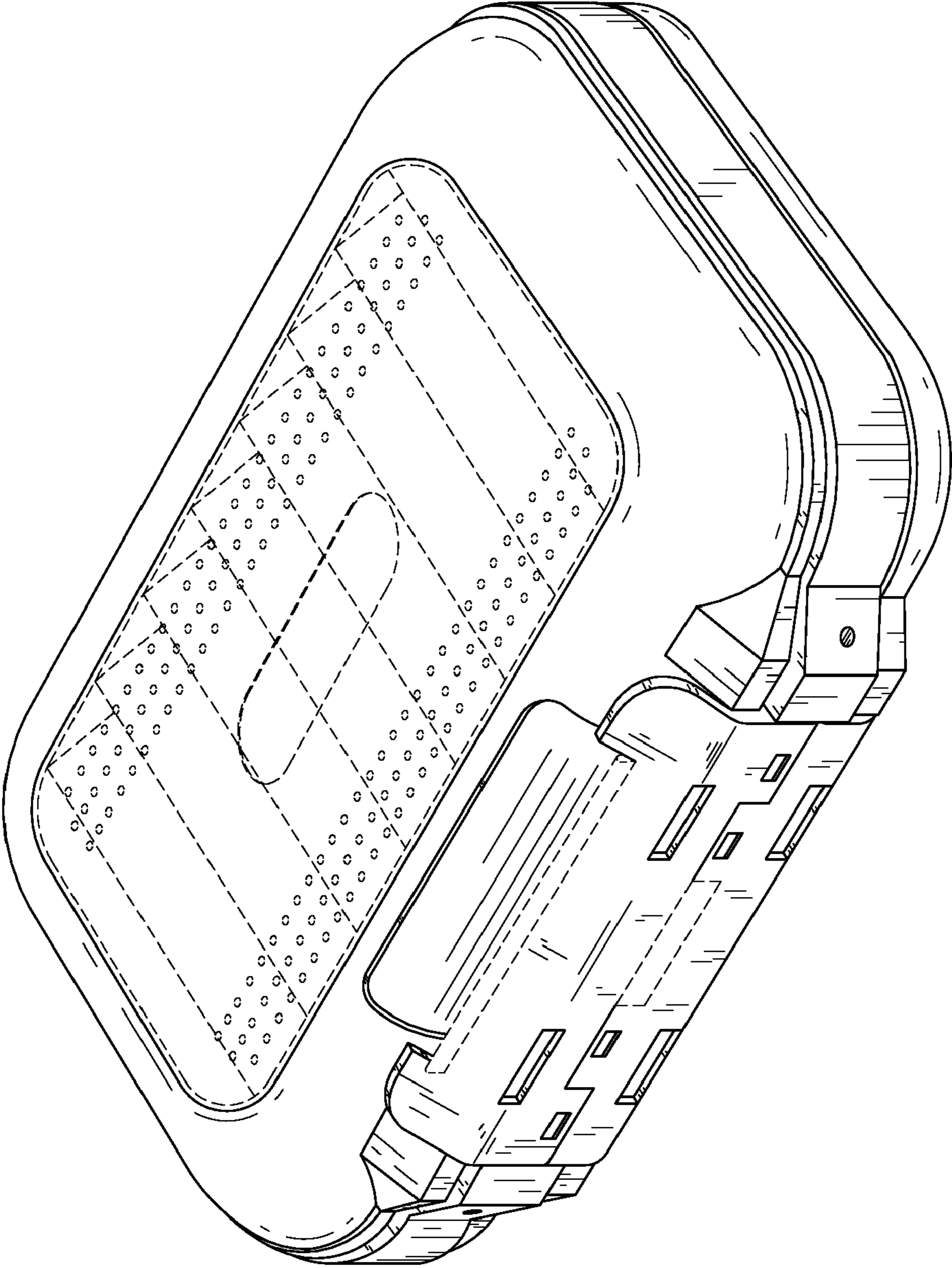


FIG. 1

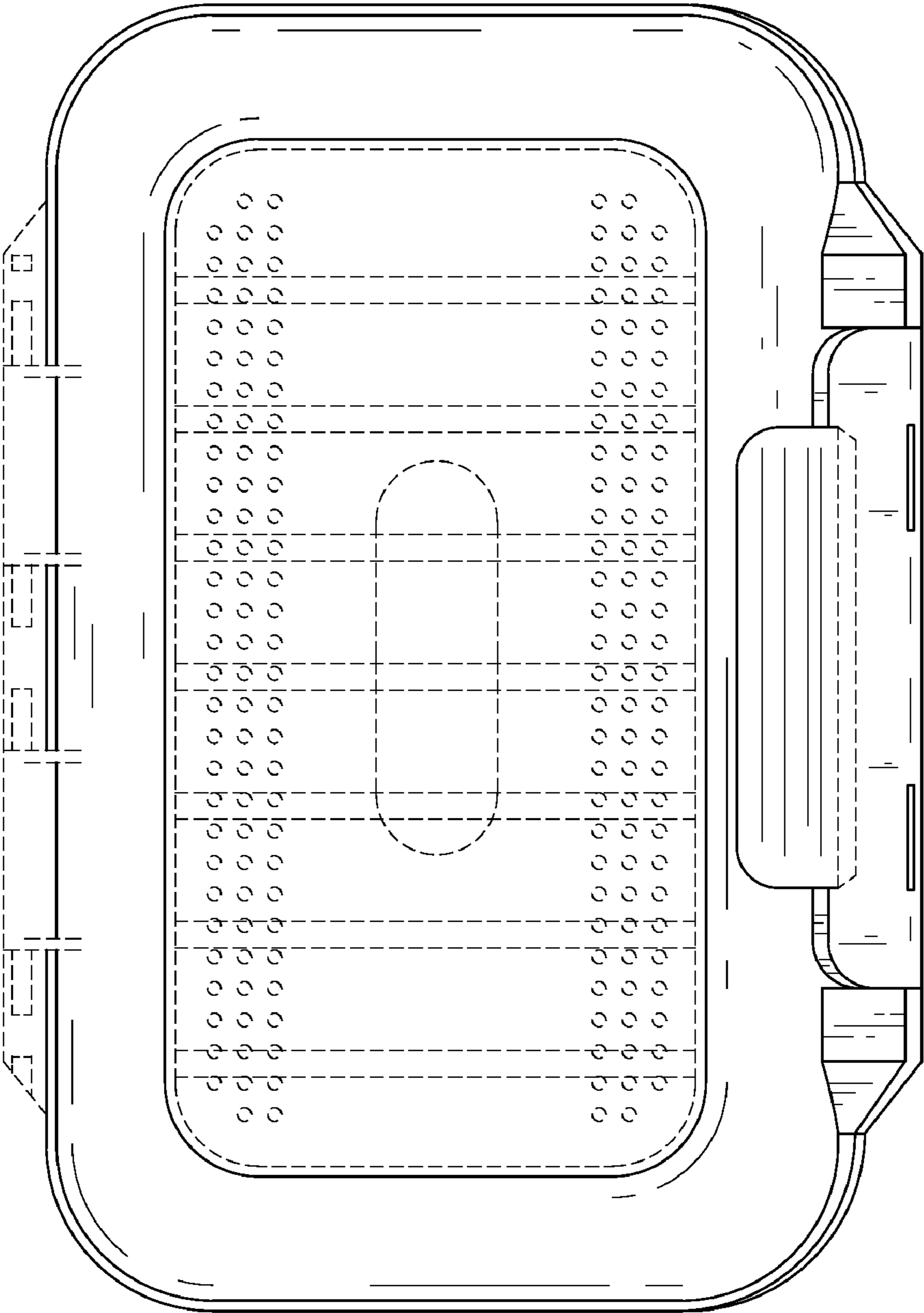


FIG. 2

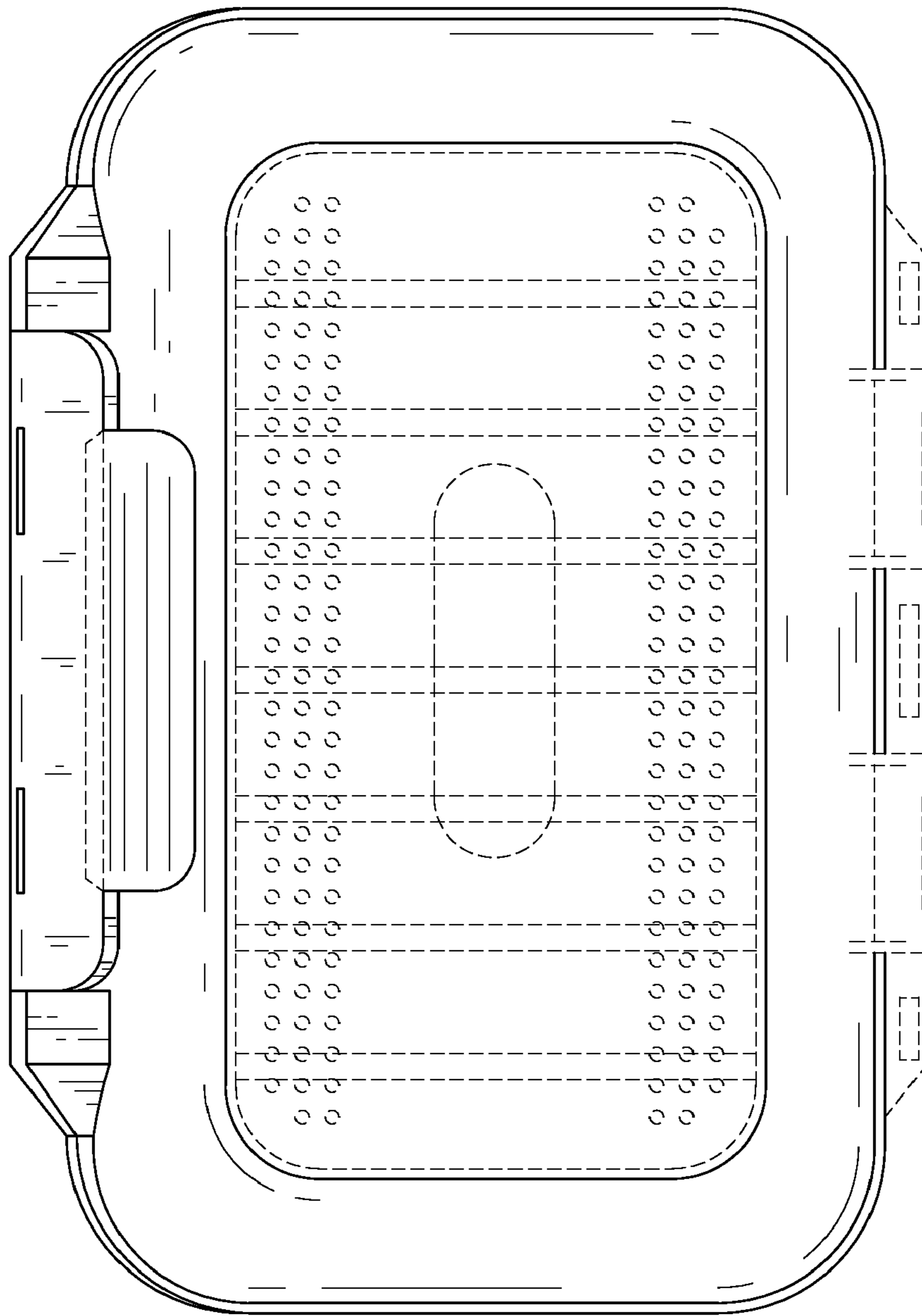


FIG. 3

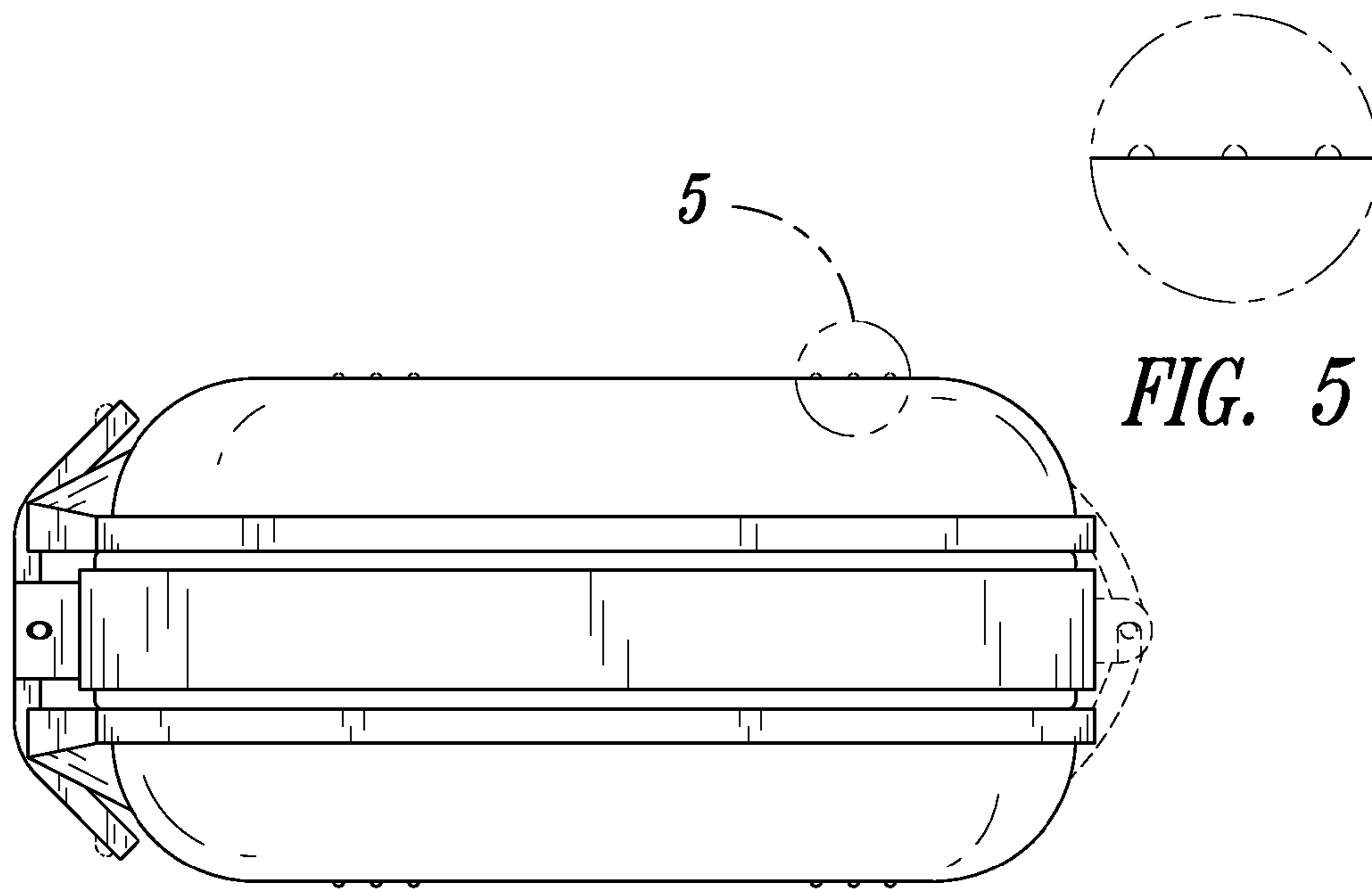


FIG. 5

FIG. 4

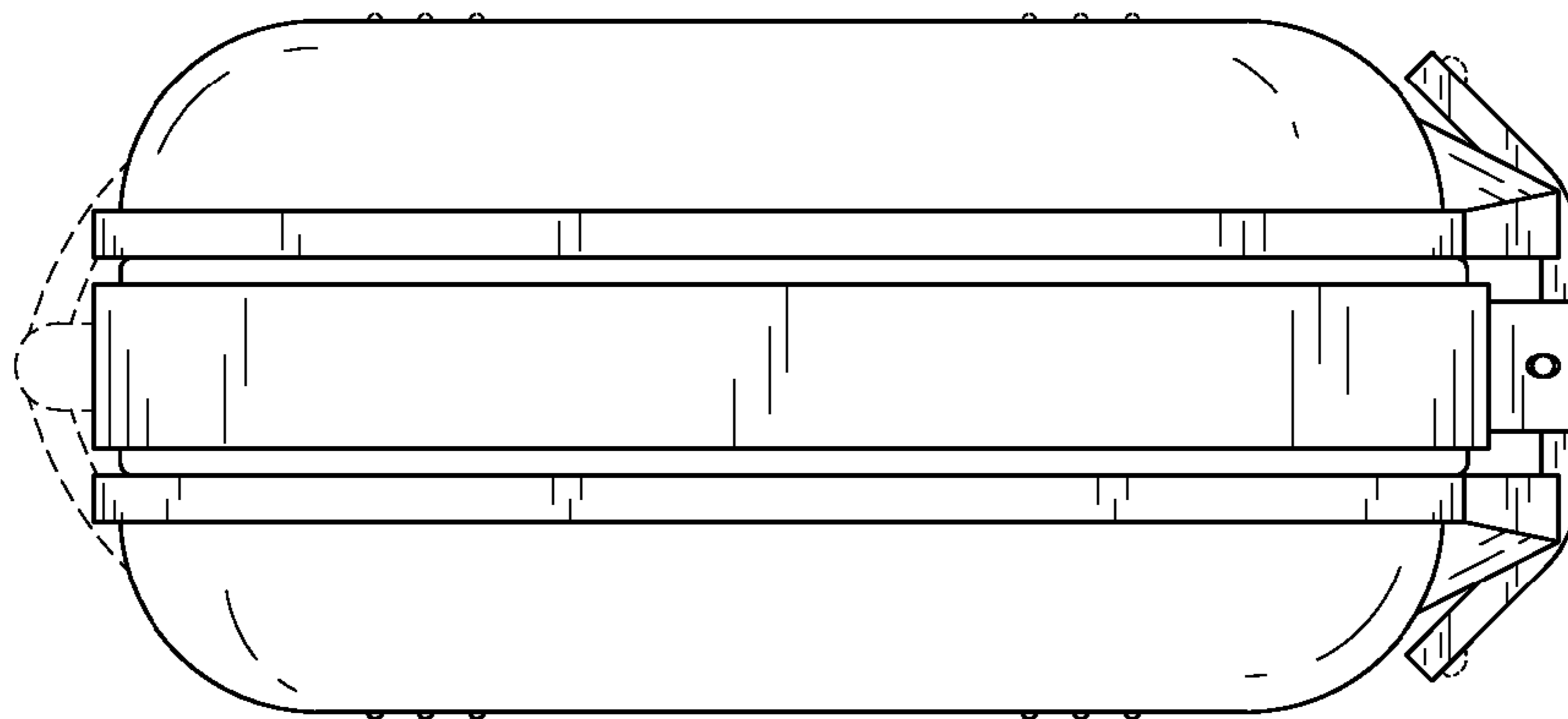


FIG. 6

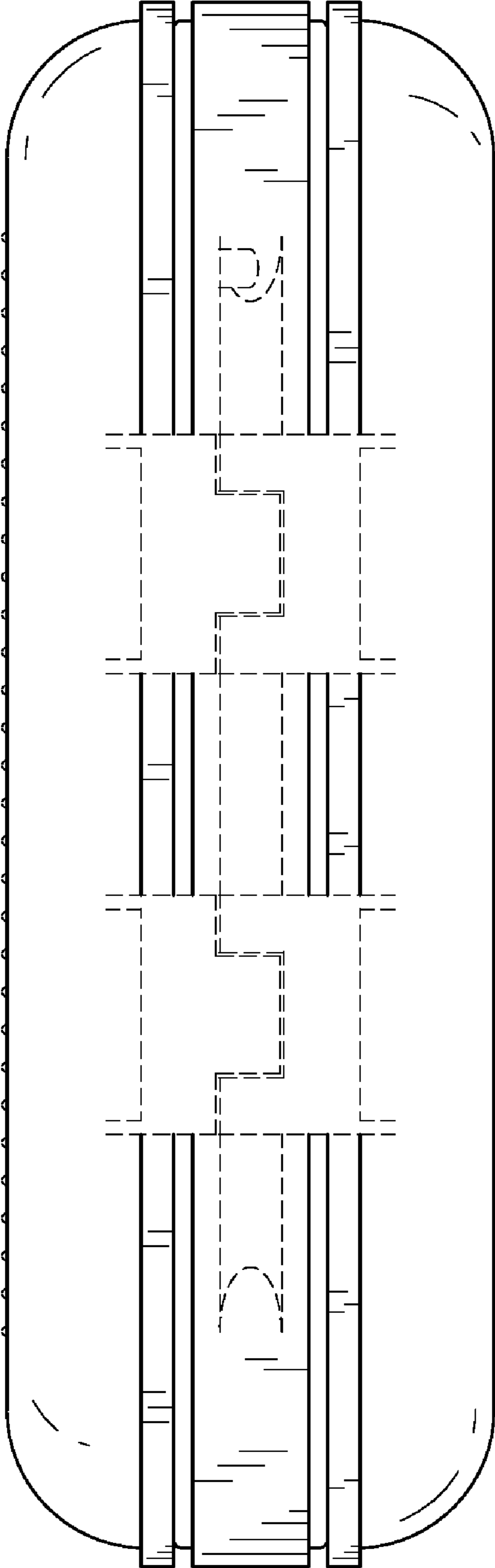


FIG. 7

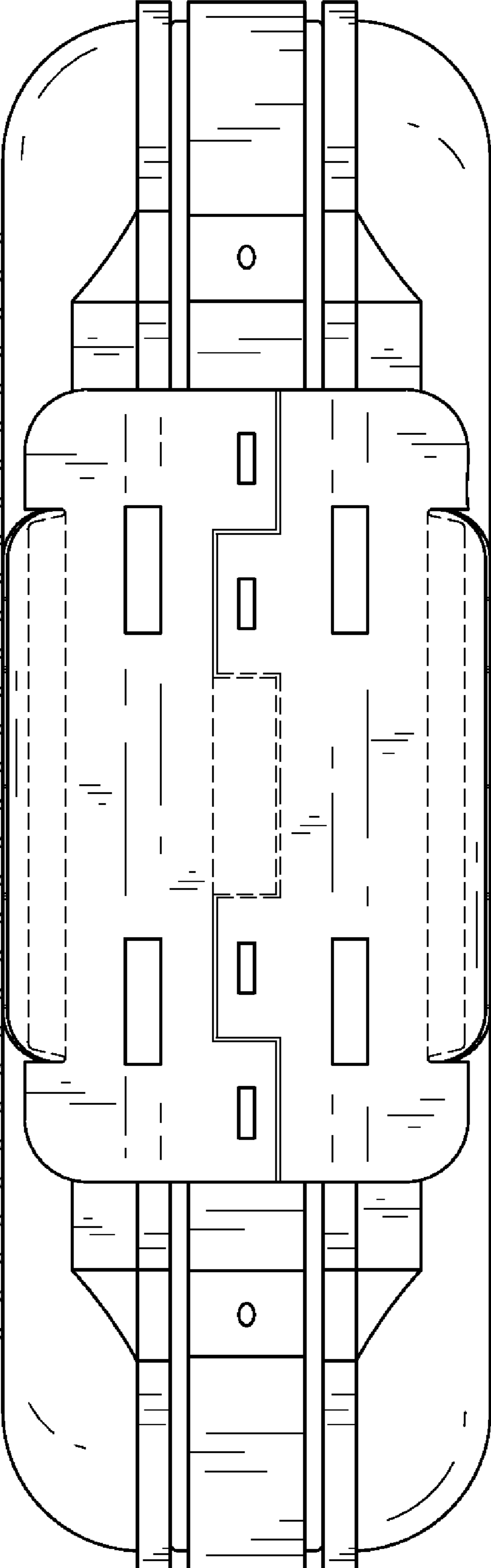


FIG. 8