



US00D636181S

(12) **United States Design Patent**
Molina et al.

(10) **Patent No.:** **US D636,181 S**

(45) **Date of Patent:** **** Apr. 19, 2011**

(54) **TOOL CASE**

(75) Inventors: **Francisco Molina**, Sunrise, FL (US);
Glenn Robinson, Coral Springs, FL
(US); **Joseph Deguglimo**, Boca Raton,
FL (US)

(73) Assignee: **IBT Holdings, LLC**, Deerfield Beach,
FL (US)

(**) Term: **14 Years**

(21) Appl. No.: **29/370,965**

(22) Filed: **Sep. 28, 2010**

(51) **LOC (9) Cl.** **03-01**

(52) **U.S. Cl.** **D3/282**

(58) **Field of Classification Search** D3/273,
D3/274, 276, 280–284, 286, 288, 291, 292,
D3/294–295, 905; 206/349, 372–379, 1.5;
220/523, 527; D9/423, 424, 426; 211/70.6
See application file for complete search history.

(56) **References Cited**

U.S. PATENT DOCUMENTS

D434,561	S	*	12/2000	Vasudeva	D3/282
D434,562	S	*	12/2000	Huang	D3/282
D439,408	S	*	3/2001	Gibson et al.	D3/282
6,820,742	B1	*	11/2004	Chen	206/378
D536,525	S	*	2/2007	Vasudeva et al.	D3/282
D543,358	S	*	5/2007	Vasudeva et al.	D3/282

D617,098	S	*	6/2010	Huang	D3/282
D617,556	S	*	6/2010	Molina et al.	D3/282
D622,506	S	*	8/2010	Deguglimo et al.	D3/294
2004/0251153	A1	*	12/2004	Chen	206/375

* cited by examiner

Primary Examiner — Jennifer Rivard

(74) *Attorney, Agent, or Firm* — Dan DeLaRosa

(57) **CLAIM**

The ornamental design for a tool case, as shown and described.

DESCRIPTION

FIG. 1 is a front perspective view of the tool case of the present invention in a closed position showing my new design;

FIG. 2 is another perspective view of the tool case in a closed position;

FIG. 3 is a side elevational view thereof;

FIG. 4 is a front side elevational view thereof;

FIG. 5 is another side elevational view thereof;

FIG. 6 is a back side elevational view thereof;

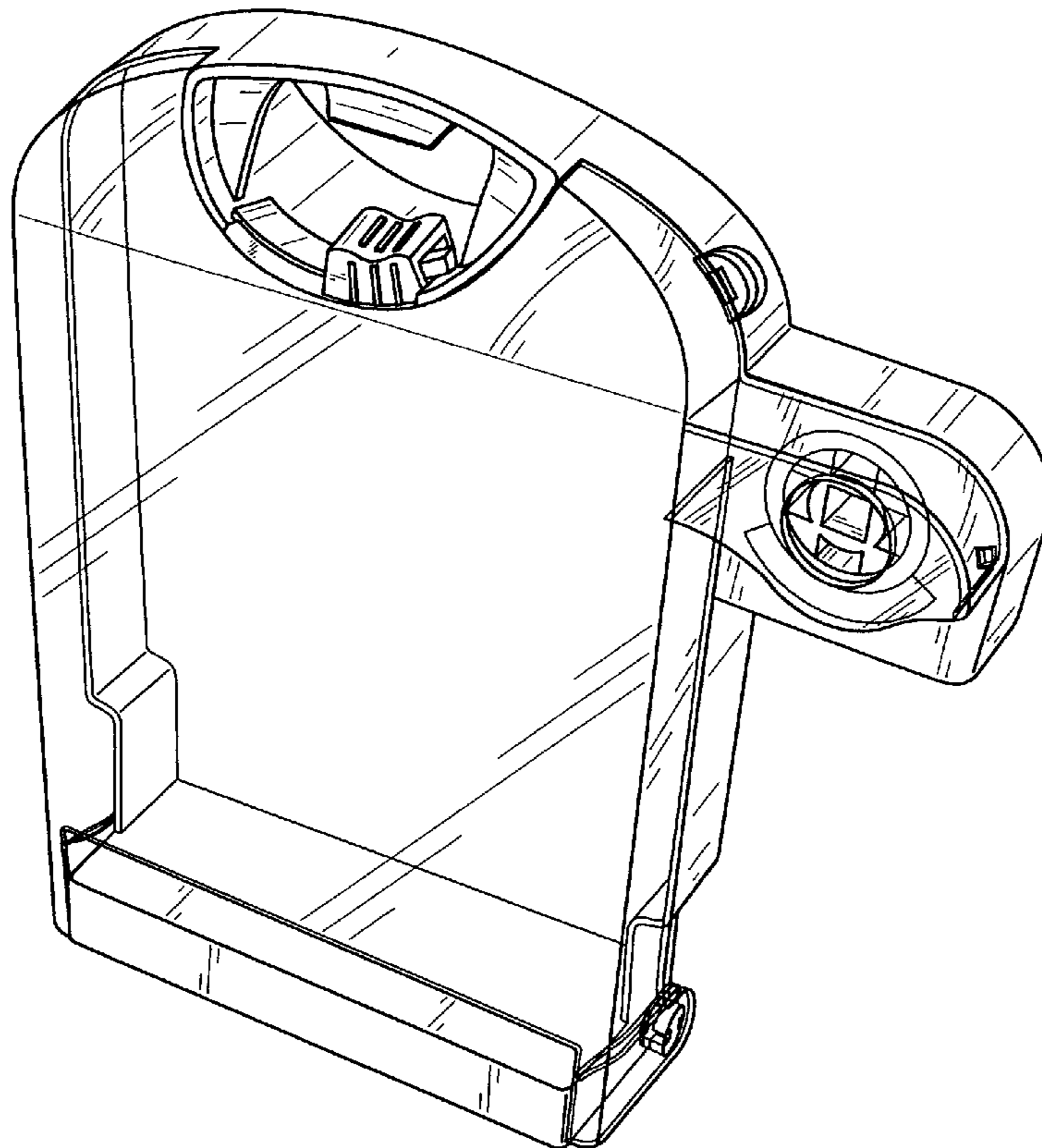
FIG. 7 is a top plan view thereof;

FIG. 8 is a bottom plan view thereof;

FIG. 9 is a perspective view of the tool case in an opened position; and,

FIG. 10 is another perspective view of the tool case in an opened position.

1 Claim, 8 Drawing Sheets



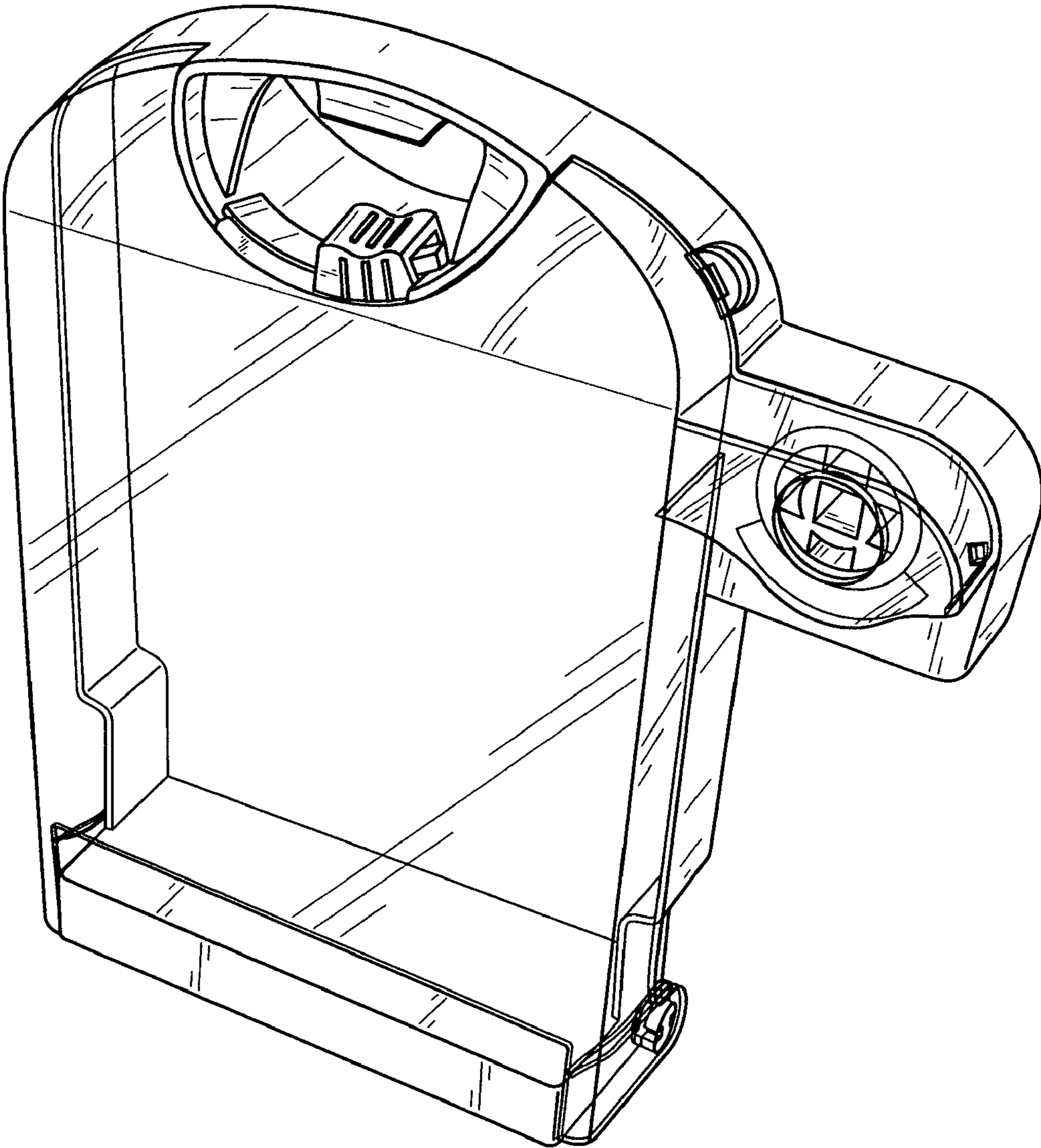


FIG. 1

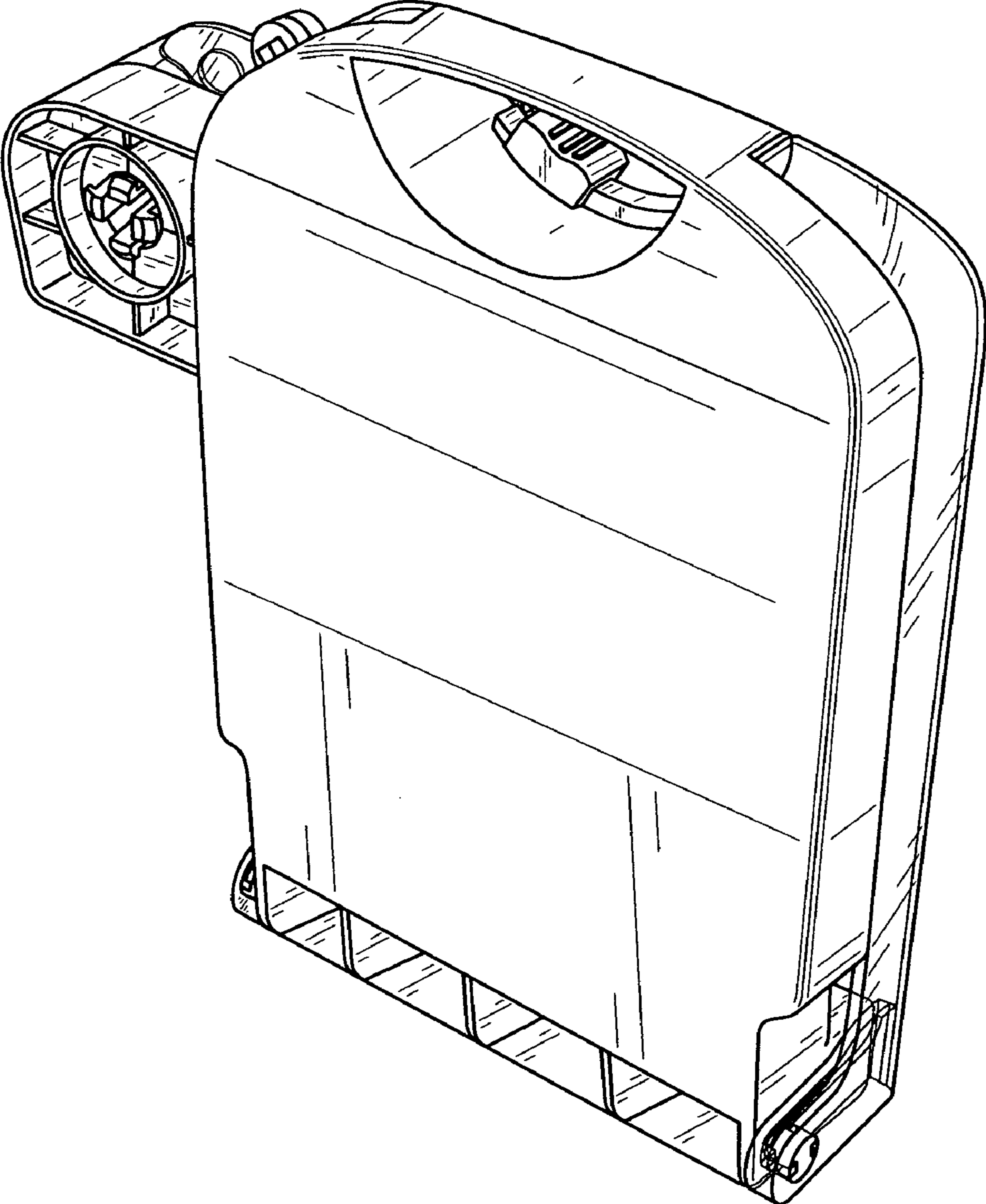


FIG. 2

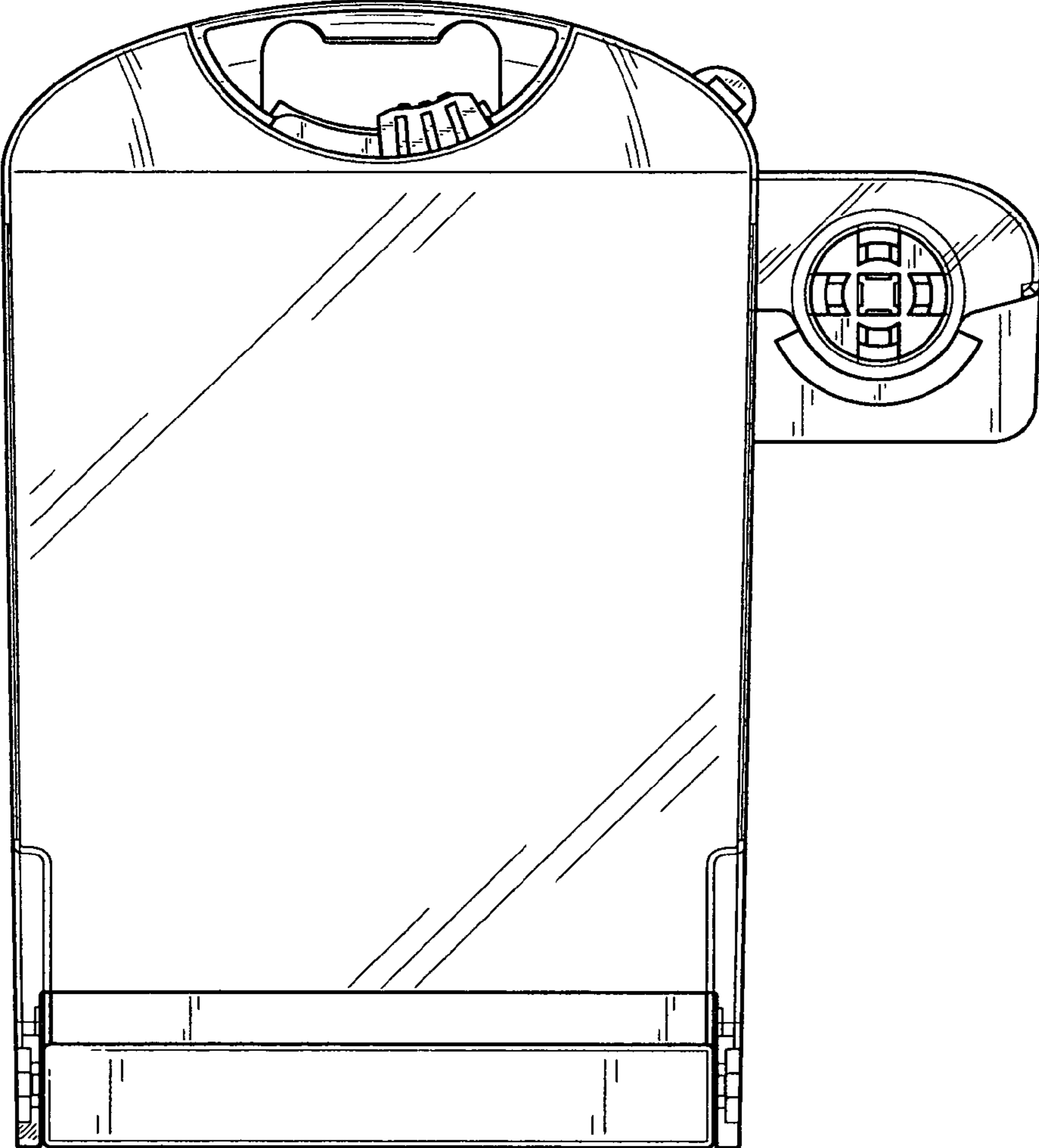


FIG. 3

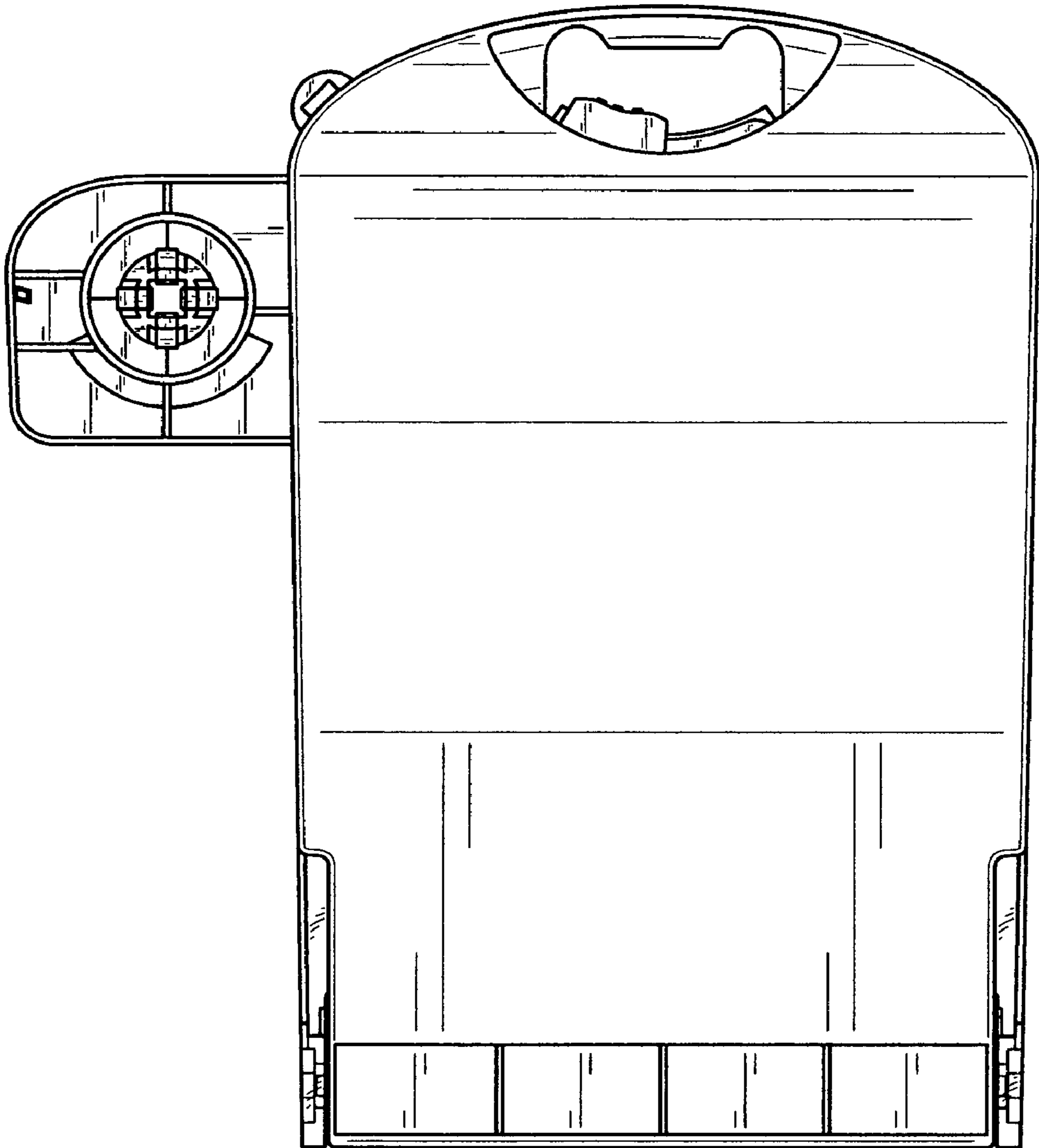


FIG. 4

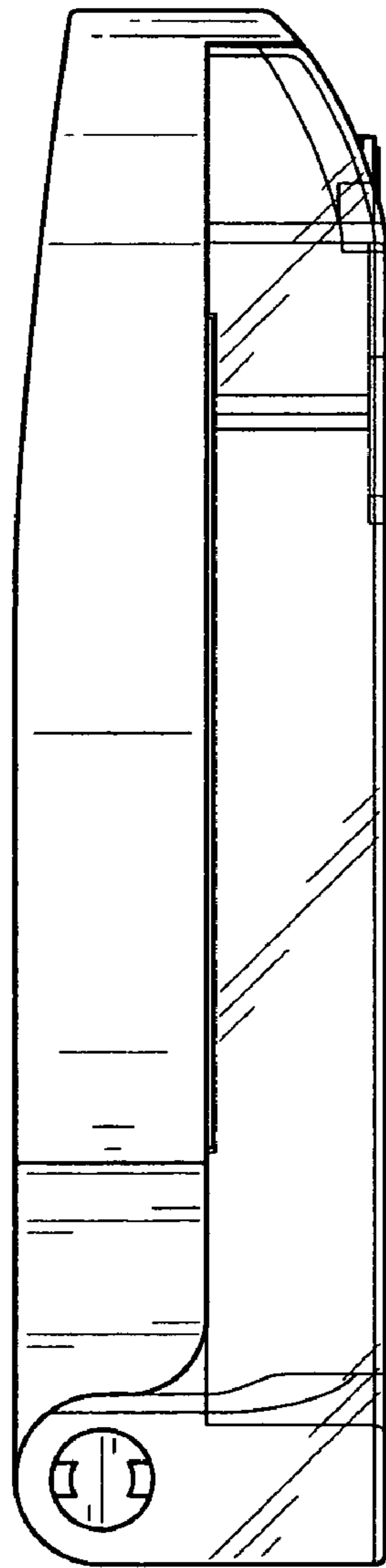


FIG. 5

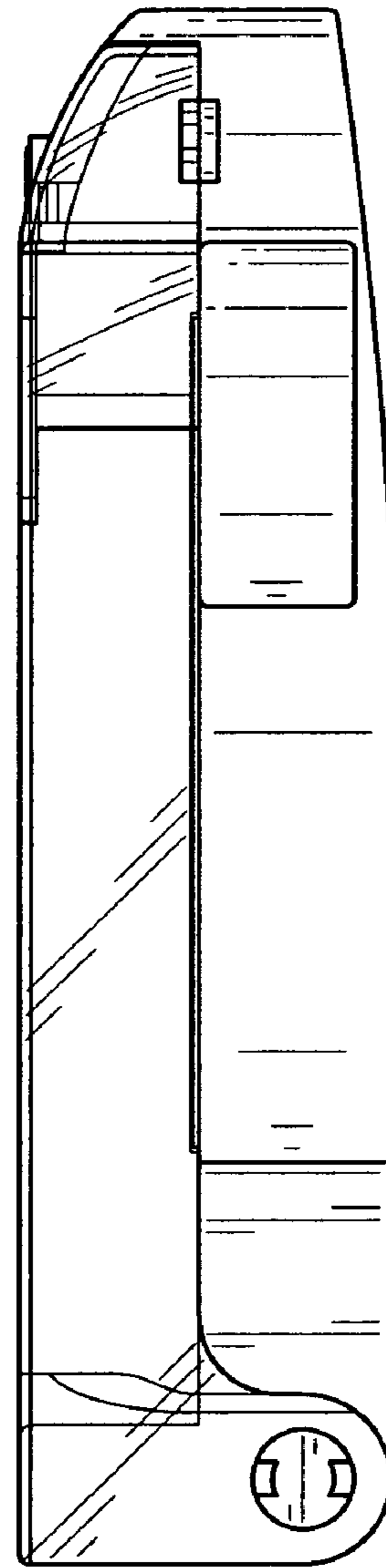


FIG. 6

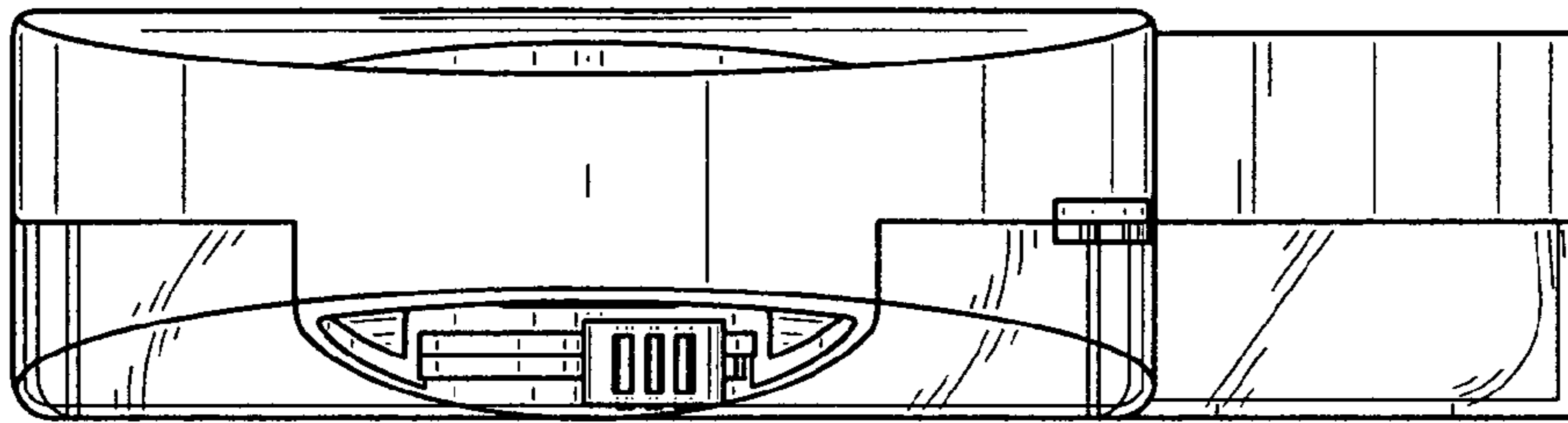


FIG. 7

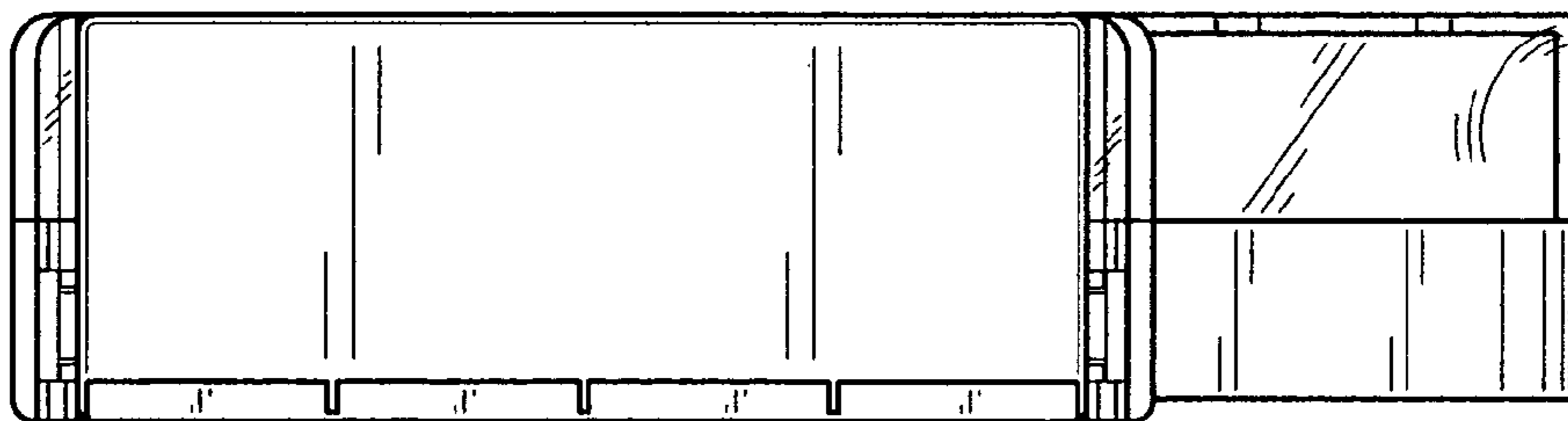


FIG. 8

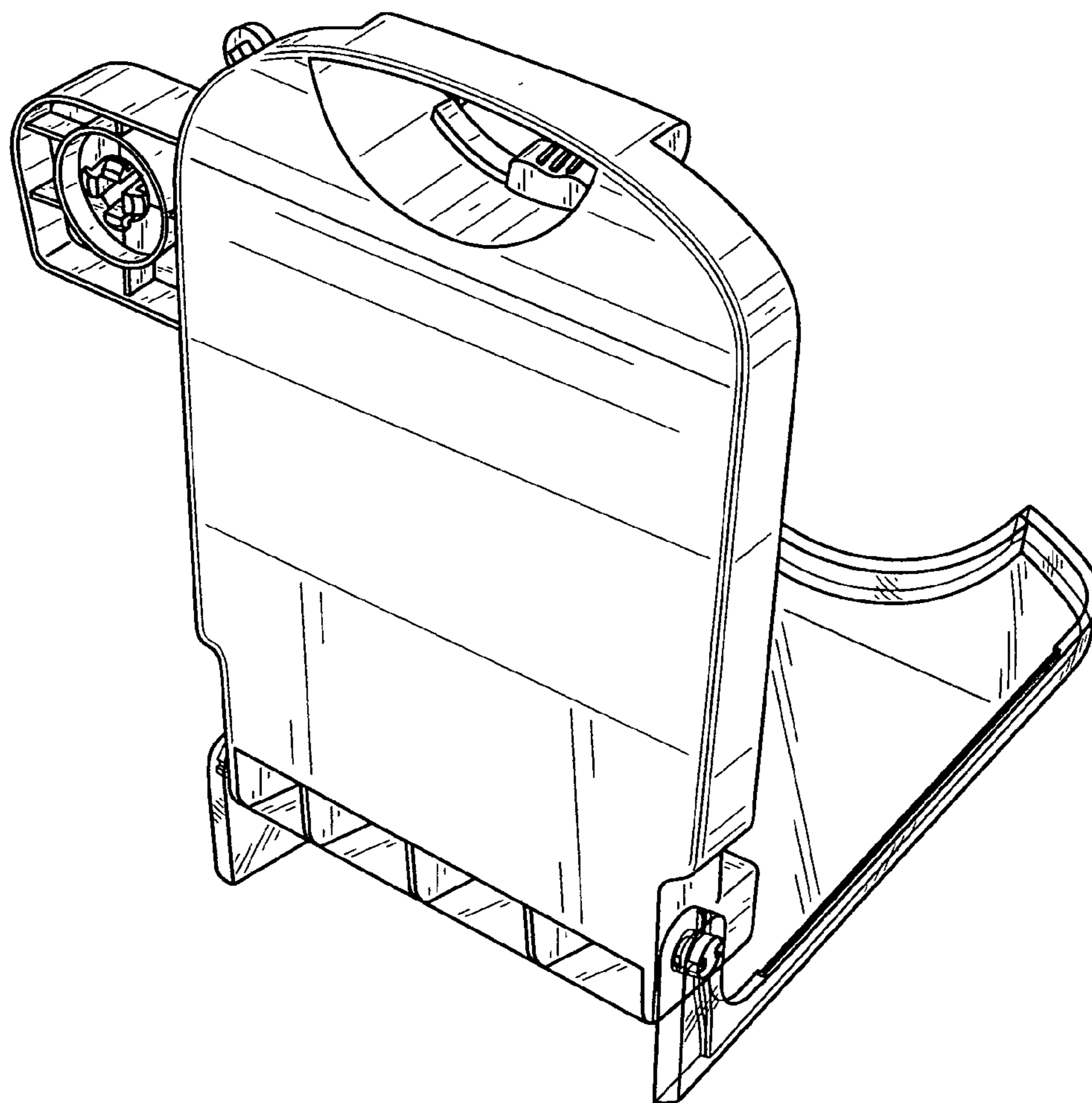


FIG. 9

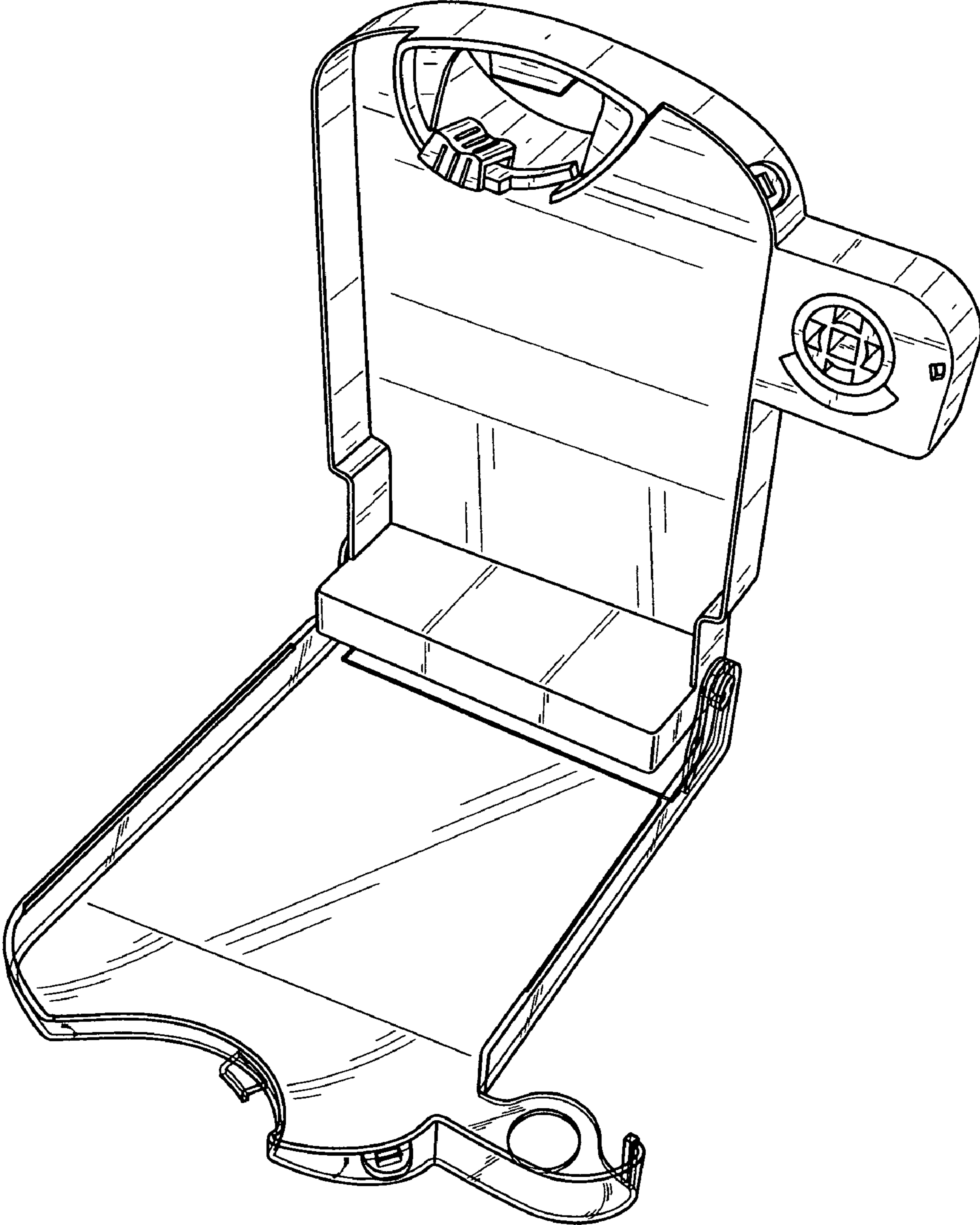


FIG. 10