



US00D636177S

(12) **United States Design Patent**
Edwards et al.

(10) **Patent No.:** **US D636,177 S**
(45) **Date of Patent:** **** Apr. 19, 2011**

(54) **WATER CARRIER**

(75) Inventors: **David A. Edwards**, Boston, MA (US);
Mathieu Lehaneur, Paris (FR)

(73) Assignee: **Le Labogroup SAS**, Paris (FR)

(**) Term: **14 Years**

(21) Appl. No.: **29/363,655**

(22) Filed: **Jun. 11, 2010**

(51) **LOC (9) Cl.** **03-01**

(52) **U.S. Cl.** **D3/229**

(58) **Field of Classification Search** D3/229,
D3/215, 202, 232, 263, 901; 224/148.1-148.7;
D7/507, 624.3, 608, 619.1, 619.2, 601; 206/389
See application file for complete search history.

(56) **References Cited**

U.S. PATENT DOCUMENTS

D252,173 S *	6/1979	Woods	D3/229
D404,564 S *	1/1999	Rausch	D3/229
6,241,135 B1 *	6/2001	Thatcher	224/148.5
D601,794 S *	10/2009	Jarvio	D3/229

* cited by examiner

Primary Examiner — Catherine R Oliver

(74) *Attorney, Agent, or Firm* — Fish & Richardson P.C.

(57) **CLAIM**

The ornamental design for a water carrier, substantially as shown and described.

DESCRIPTION

FIG. 1 shows a perspective view of the design.

FIG. 2 shows a rear view of the design.

FIG. 3 shows a front view of the design.

FIG. 4 shows a left side view of the design.

FIG. 5 shows a right side view of the design.

FIG. 6 shows a top view of the design.

FIG. 7 shows a bottom view of the design.

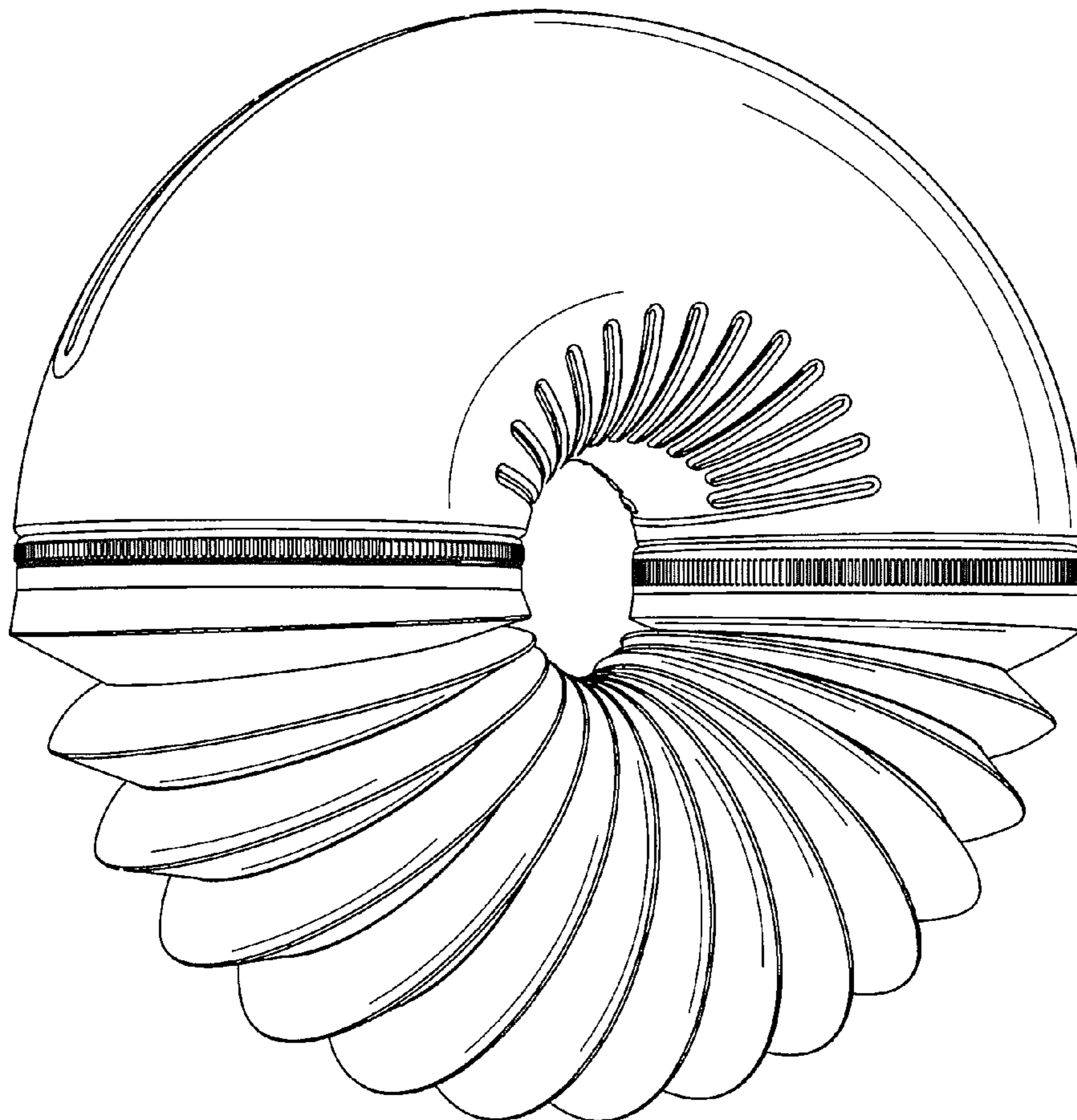
FIG. 8 is a perspective view of an alternate embodiment of the design with the only difference being the addition of the carrying strap;

FIG. 9 is an alternate perspective view of FIG. 8;

FIG. 10 is a perspective view of an alternate embodiment of the design with the only difference being the addition of the carrying strap; and,

FIG. 11 is an alternate perspective view of FIG. 10.

1 Claim, 6 Drawing Sheets



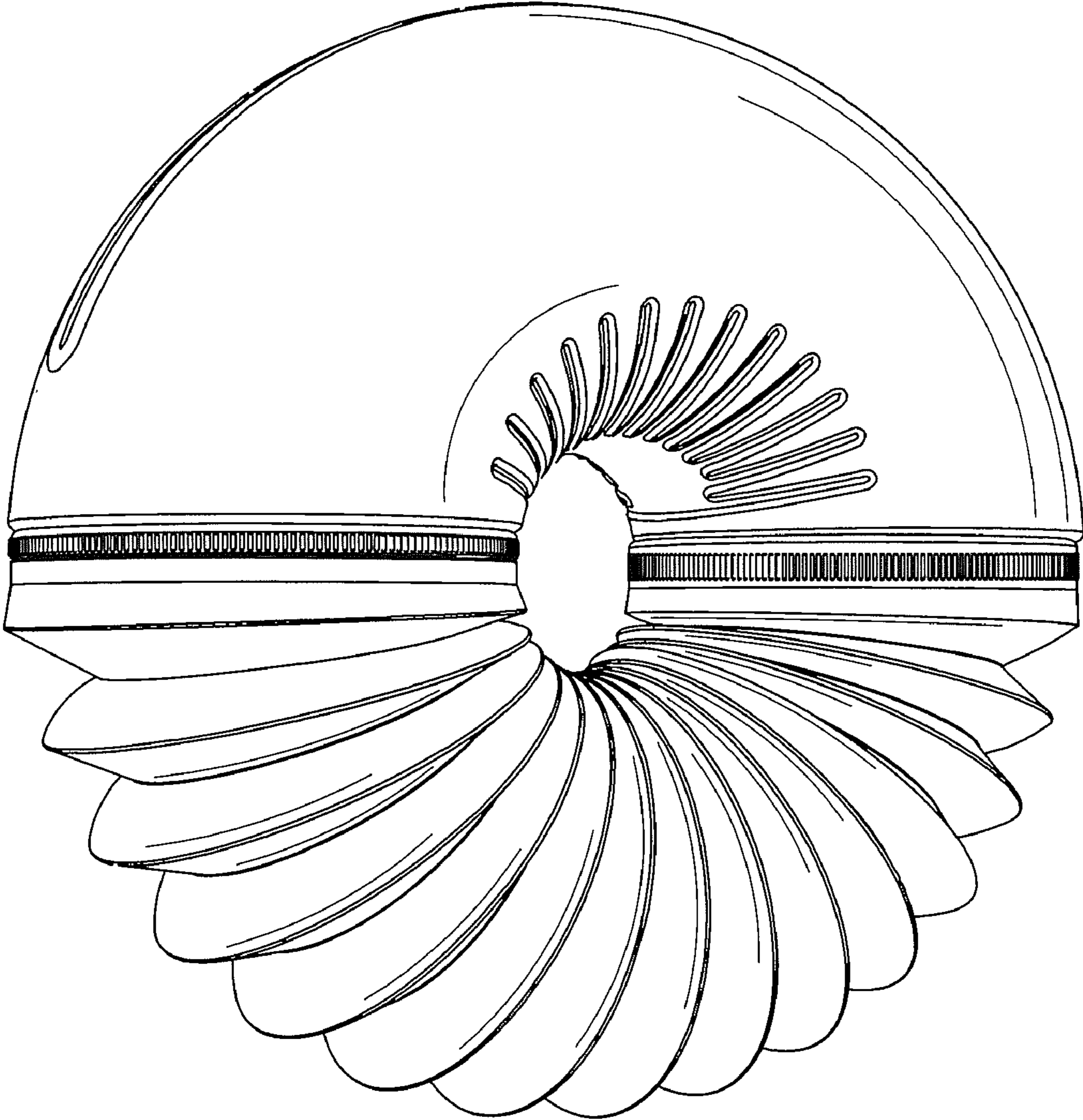


FIG. 1

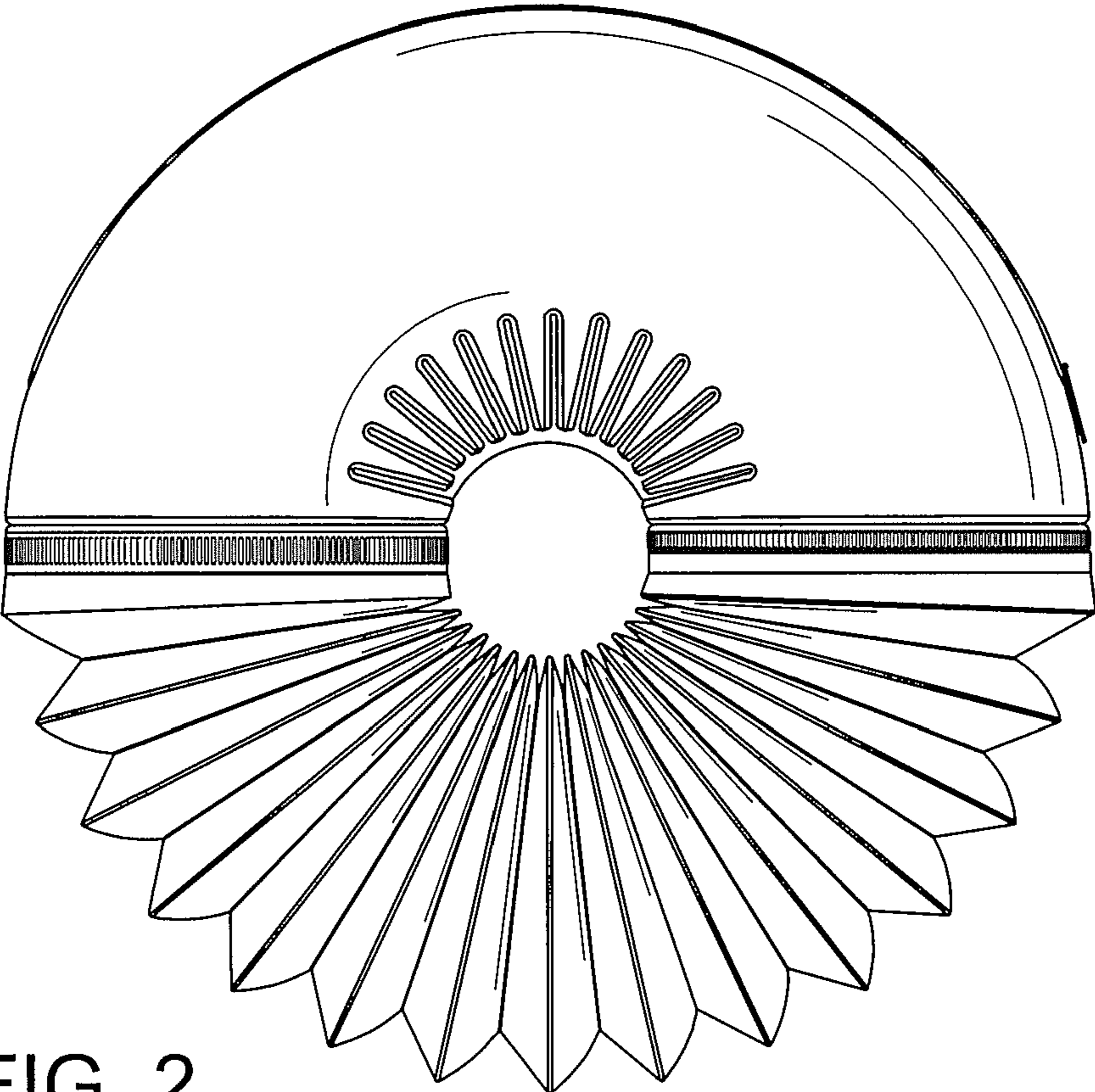


FIG. 2

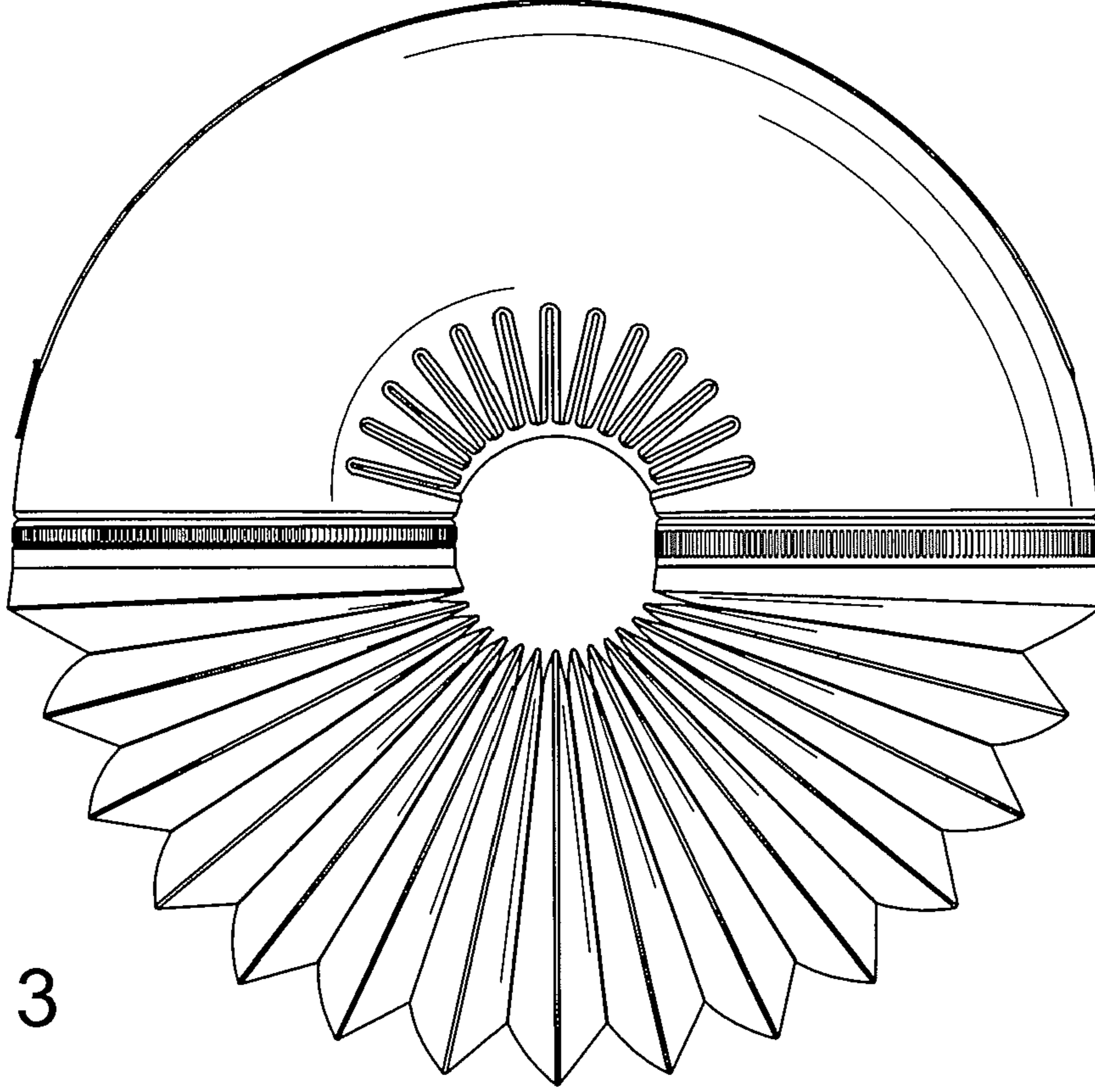


FIG. 3

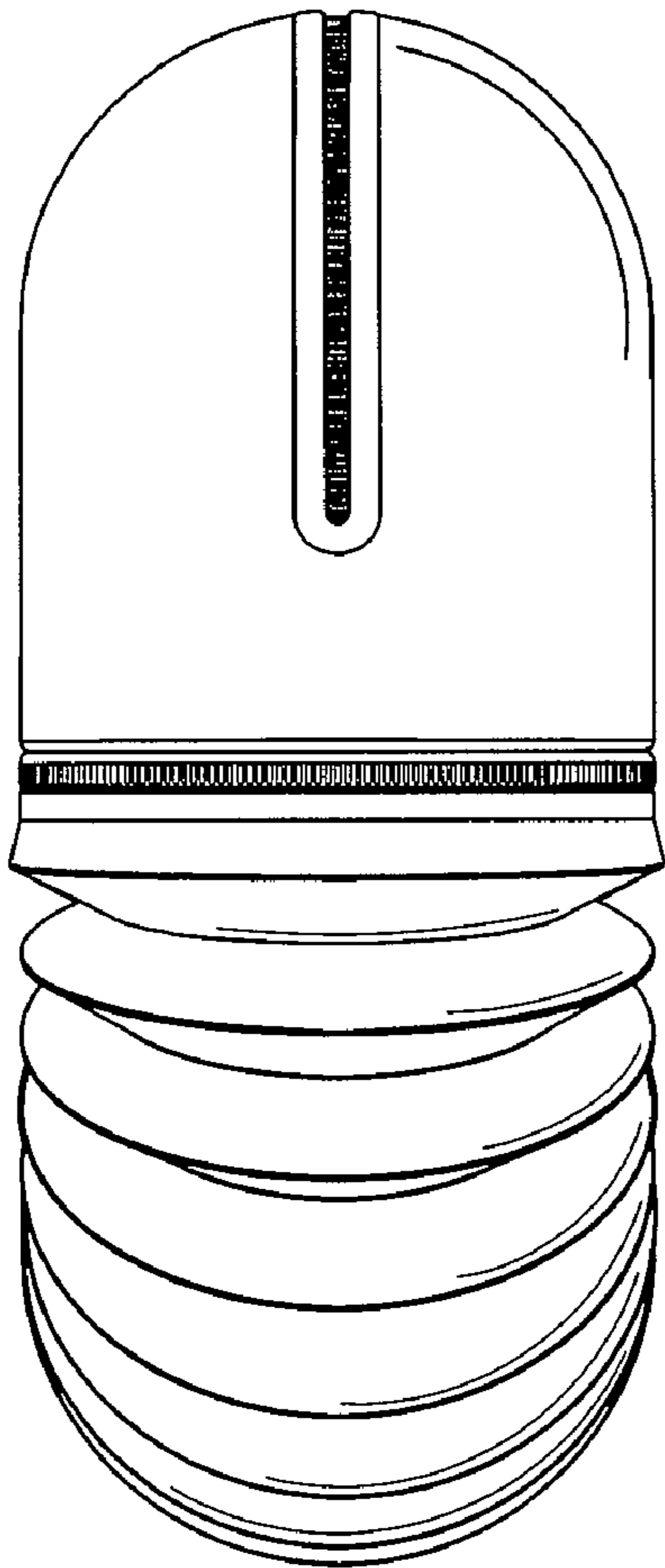


FIG. 4

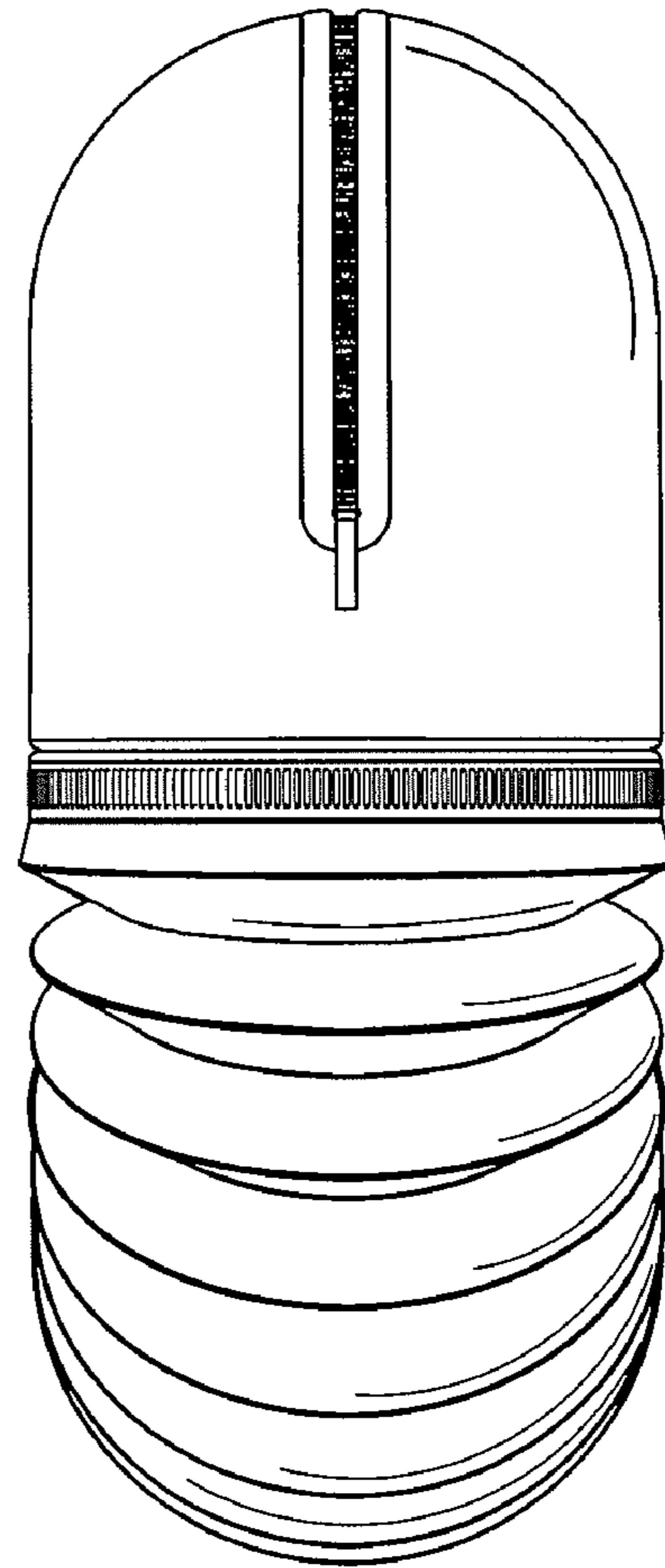


FIG. 5

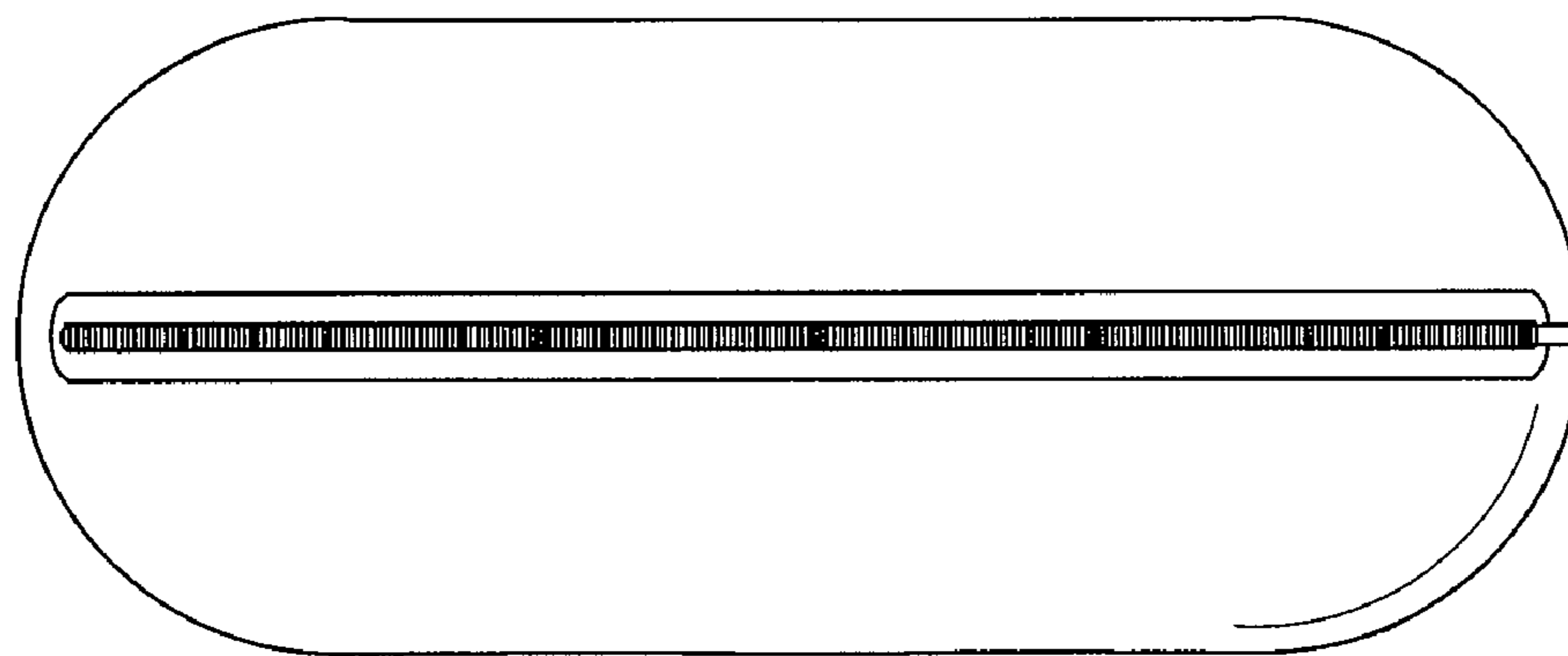


FIG. 6

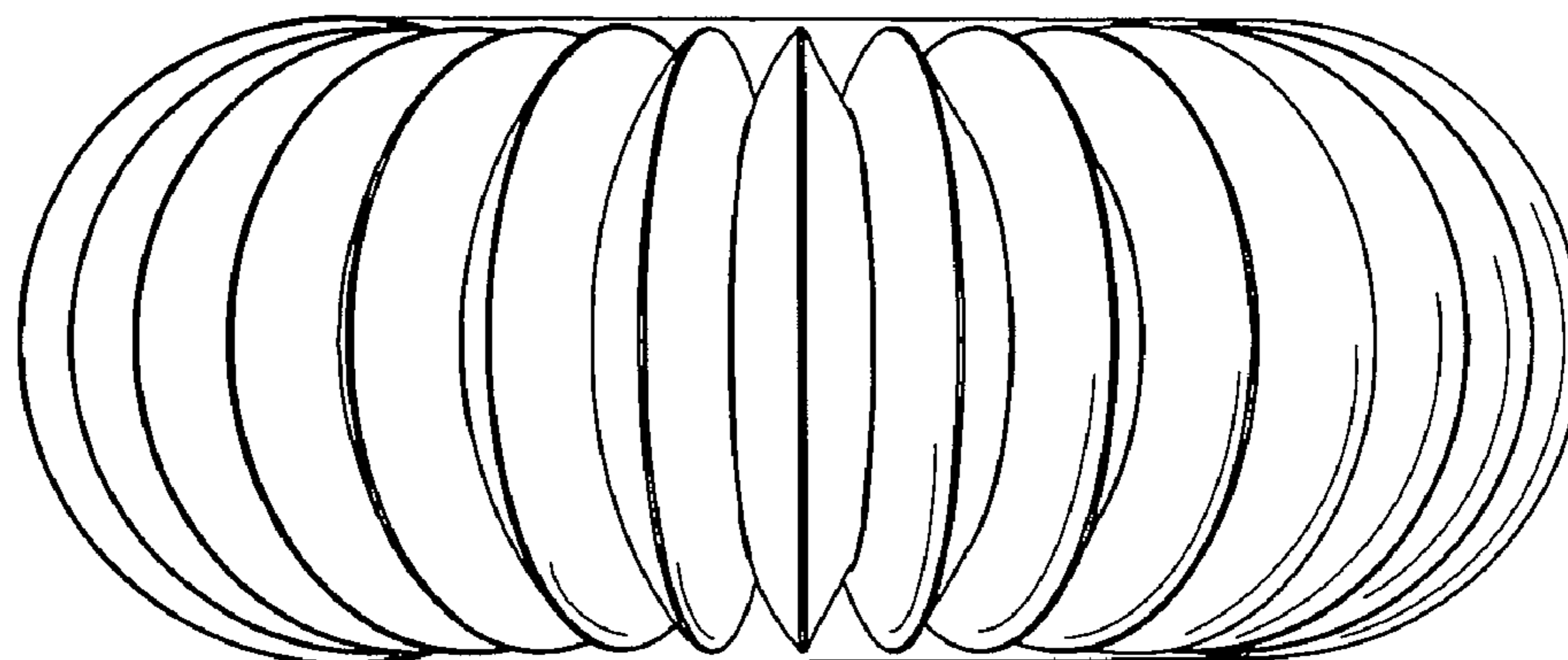
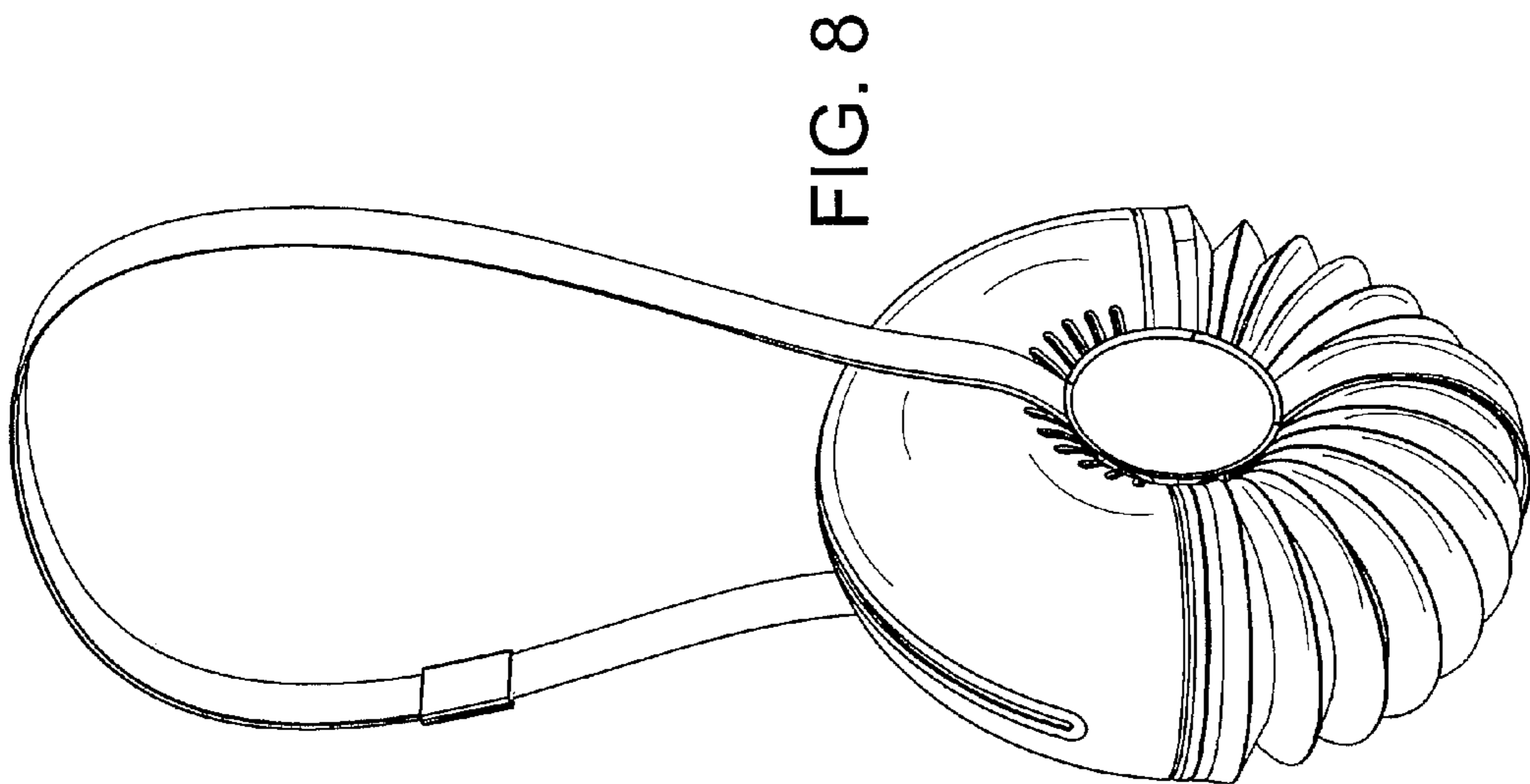
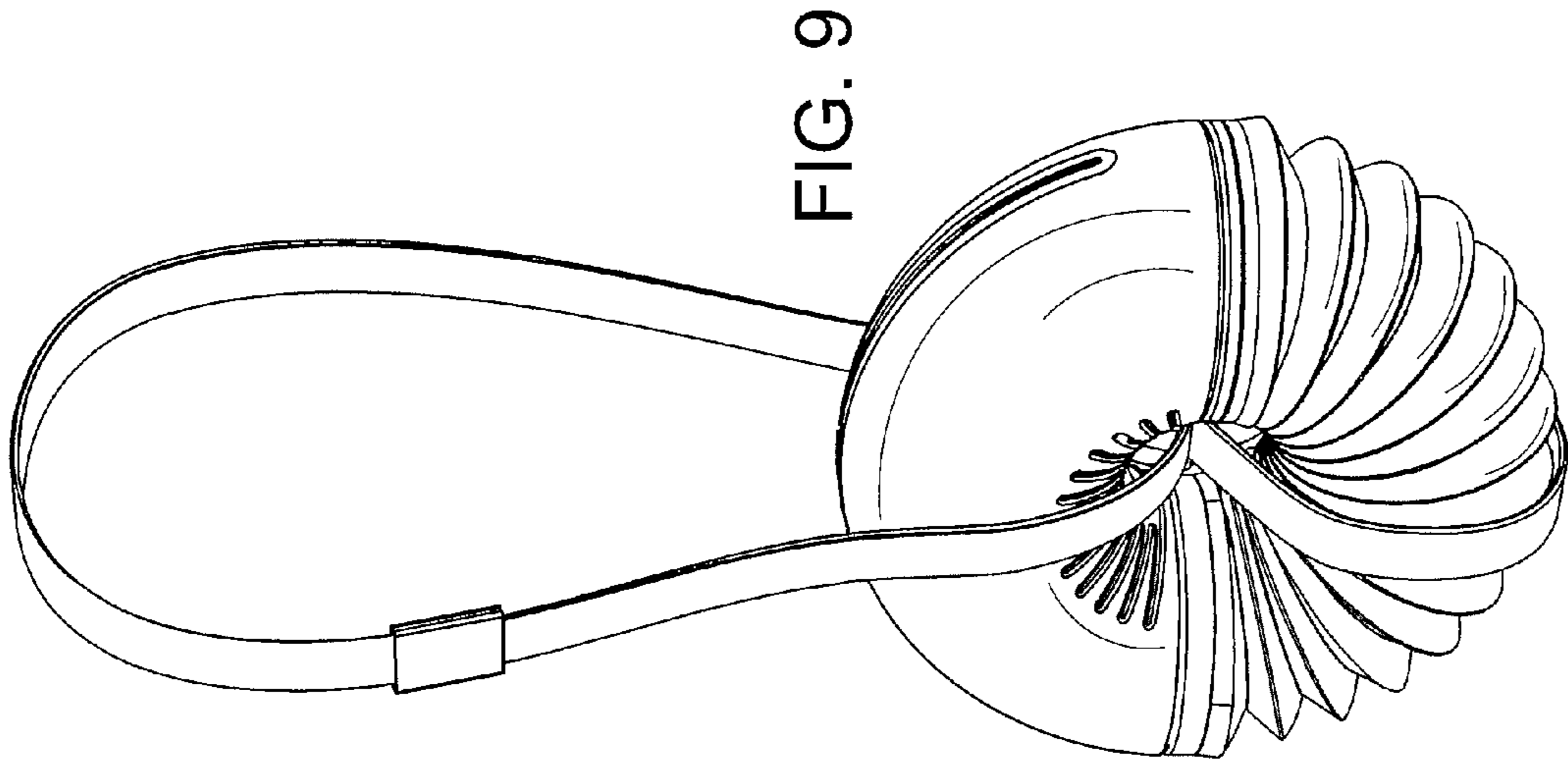


FIG. 7



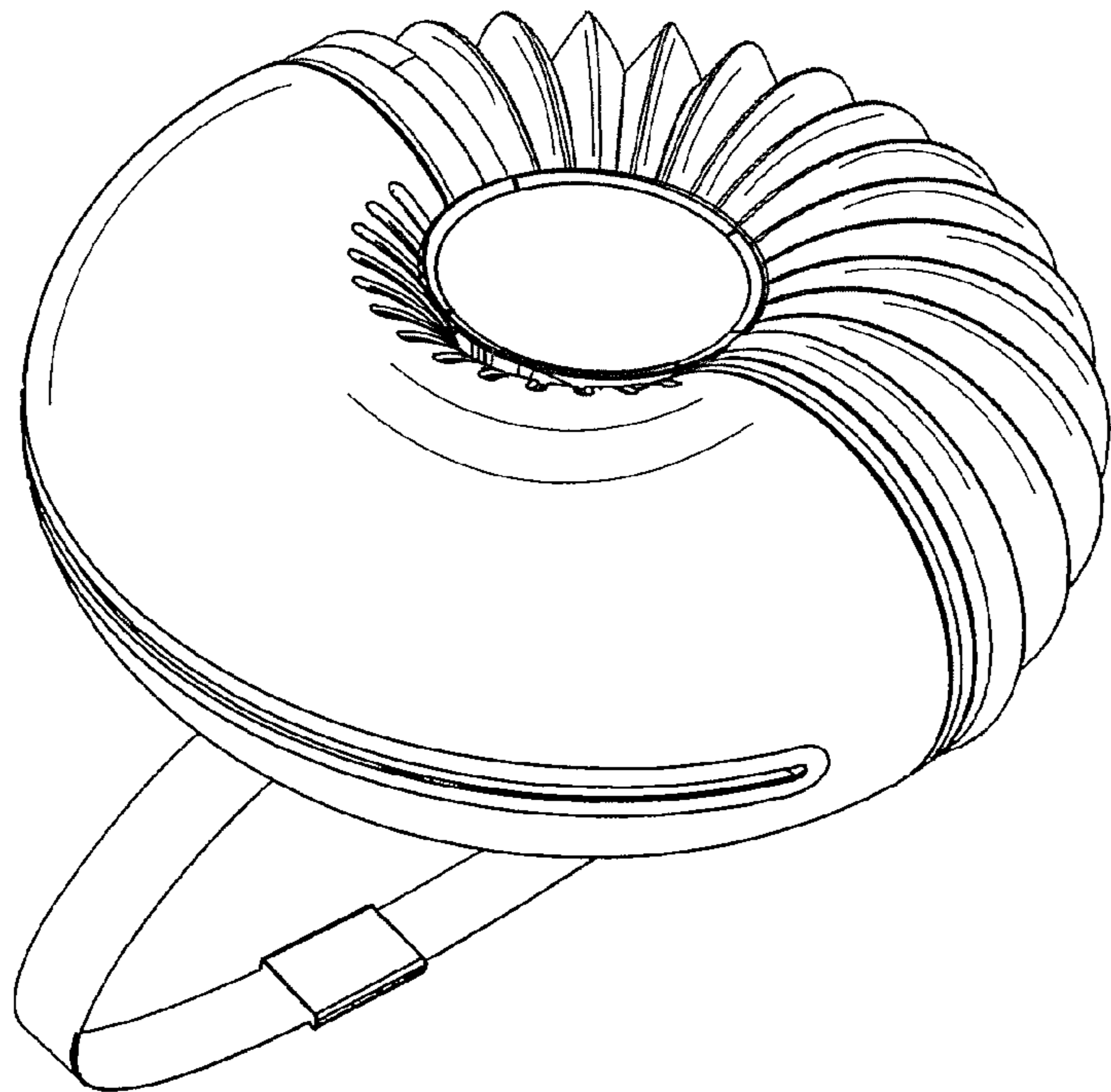


FIG. 10

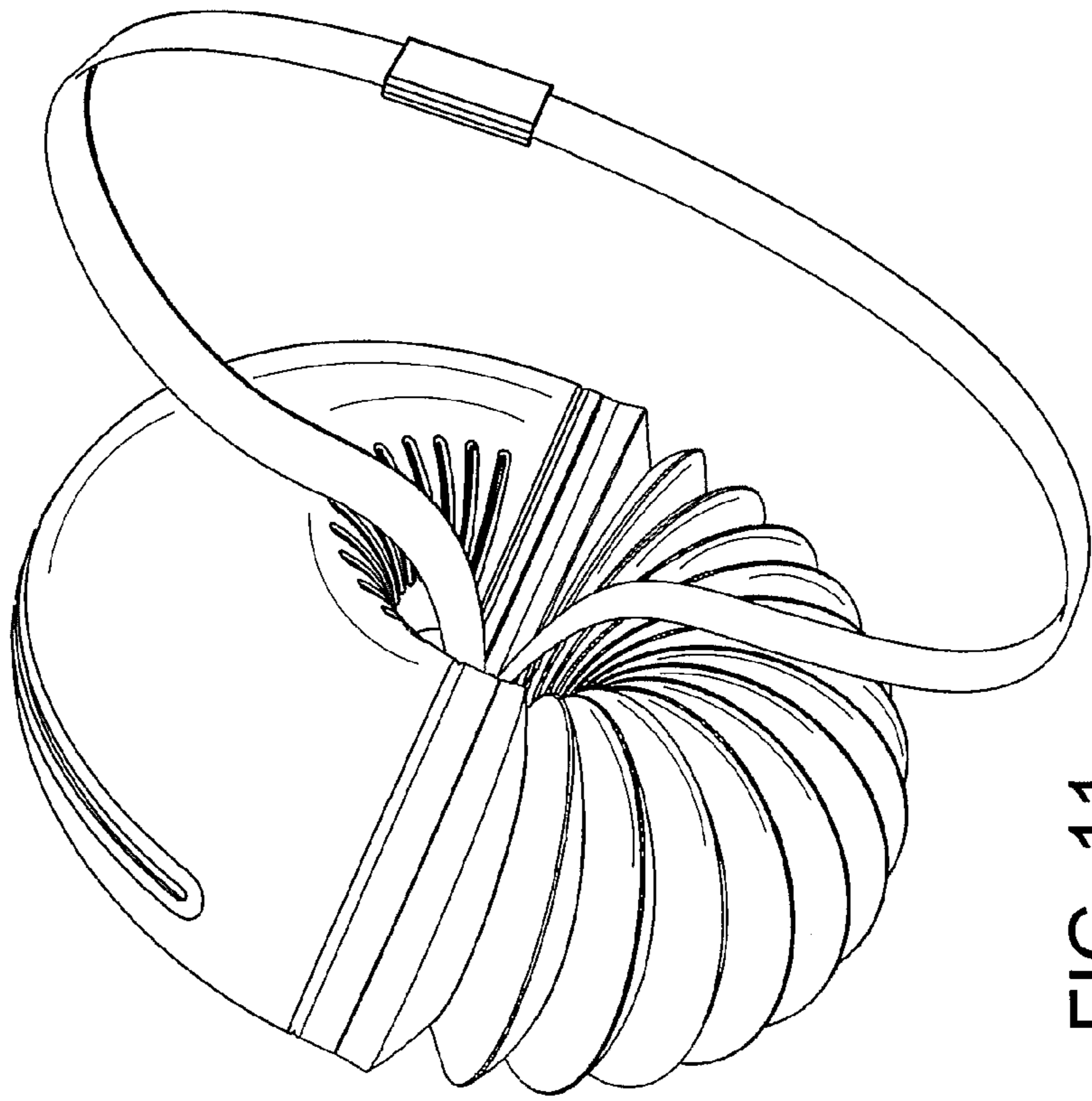


FIG. 11