



US00D636176S

(12) **United States Design Patent**
Pelinsky

(10) **Patent No.:** **US D636,176 S**

(45) **Date of Patent:** **** Apr. 19, 2011**

(54) **FISHING FINGER PROTECTION APPARATUS**

(76) Inventor: **William Pelinsky**, Dix Hills, NY (US)

(**) Term: **14 Years**

(21) Appl. No.: **29/365,793**

(22) Filed: **Jul. 14, 2010**

(51) **LOC (9) Cl.** **03-01**

(52) **U.S. Cl.** **D3/221**

(58) **Field of Classification Search** D3/221,
D3/215, 226; 2/16, 21, 159, 907; 441/57-58;
D29/113; D22/147, 149

See application file for complete search history.

(56) **References Cited**

U.S. PATENT DOCUMENTS

4,689,828 A * 9/1987 Brewer 2/21
D357,801 S * 5/1995 Short D3/215
6,094,747 A * 8/2000 Malick 2/159

6,101,628 A * 8/2000 Earl 2/21
6,665,874 B2 * 12/2003 Stolf 2/21
D548,303 S * 8/2007 Hernandez D22/147

* cited by examiner

Primary Examiner — Catherine R Oliver

(74) *Attorney, Agent, or Firm* — Harold G. Furlow

(57) **CLAIM**

The ornamental design for a fishing finger protection apparatus as shown and described.

DESCRIPTION

FIG. 1 is a rear, right side and top perspective view of a fishing finger protection apparatus constructed in accordance with the present disclosure;

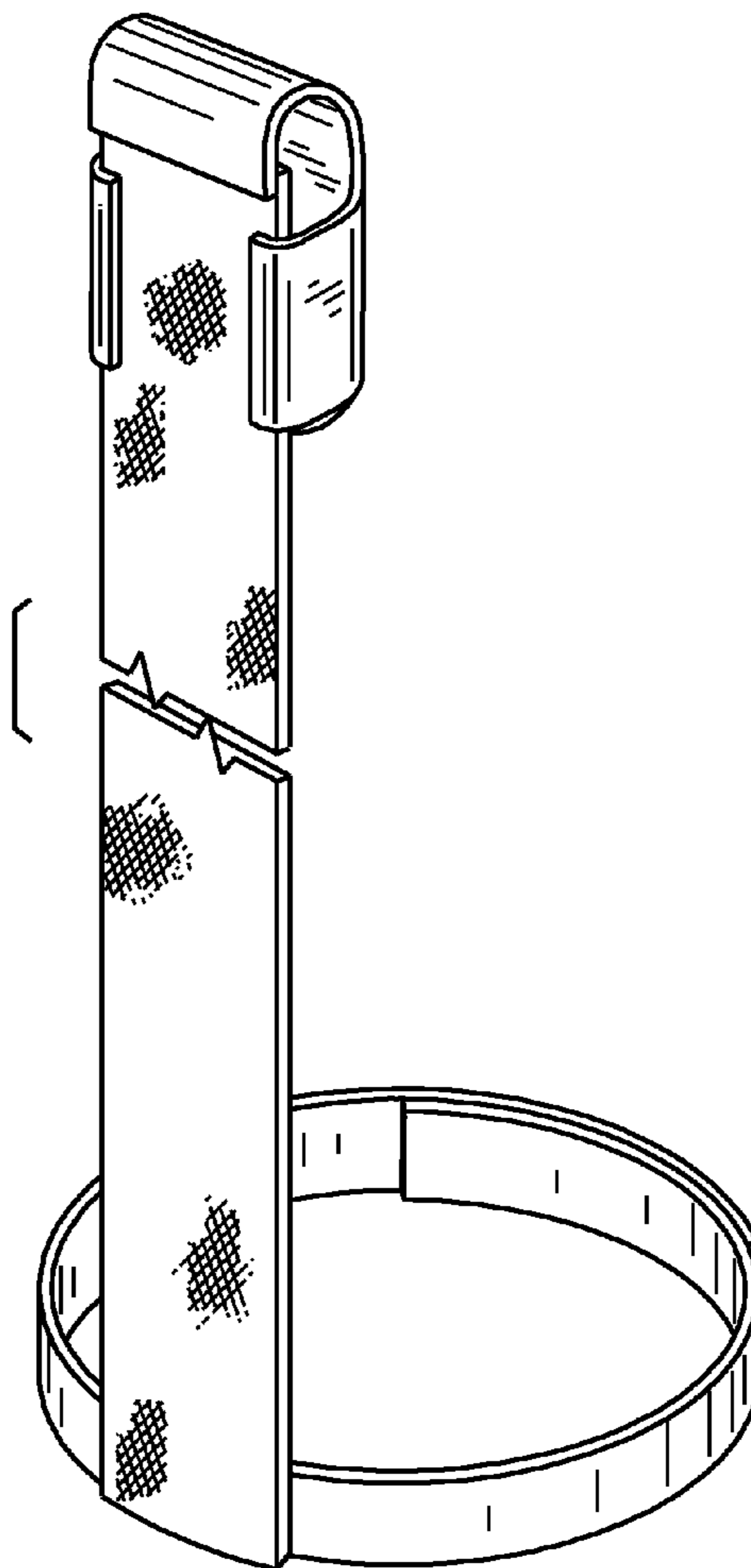
FIG. 2 is a front, right and top perspective view of the fishing finger protection apparatus of FIG. 1;

FIG. 3 is an enlarged partial view of the finger guard portion of the design shown in use; and,

FIG. 4 is a side and rear perspective view taken along lines 4—4 of FIG. 3.

The drawings are shown broken away to indicate indeterminate length.

1 Claim, 4 Drawing Sheets



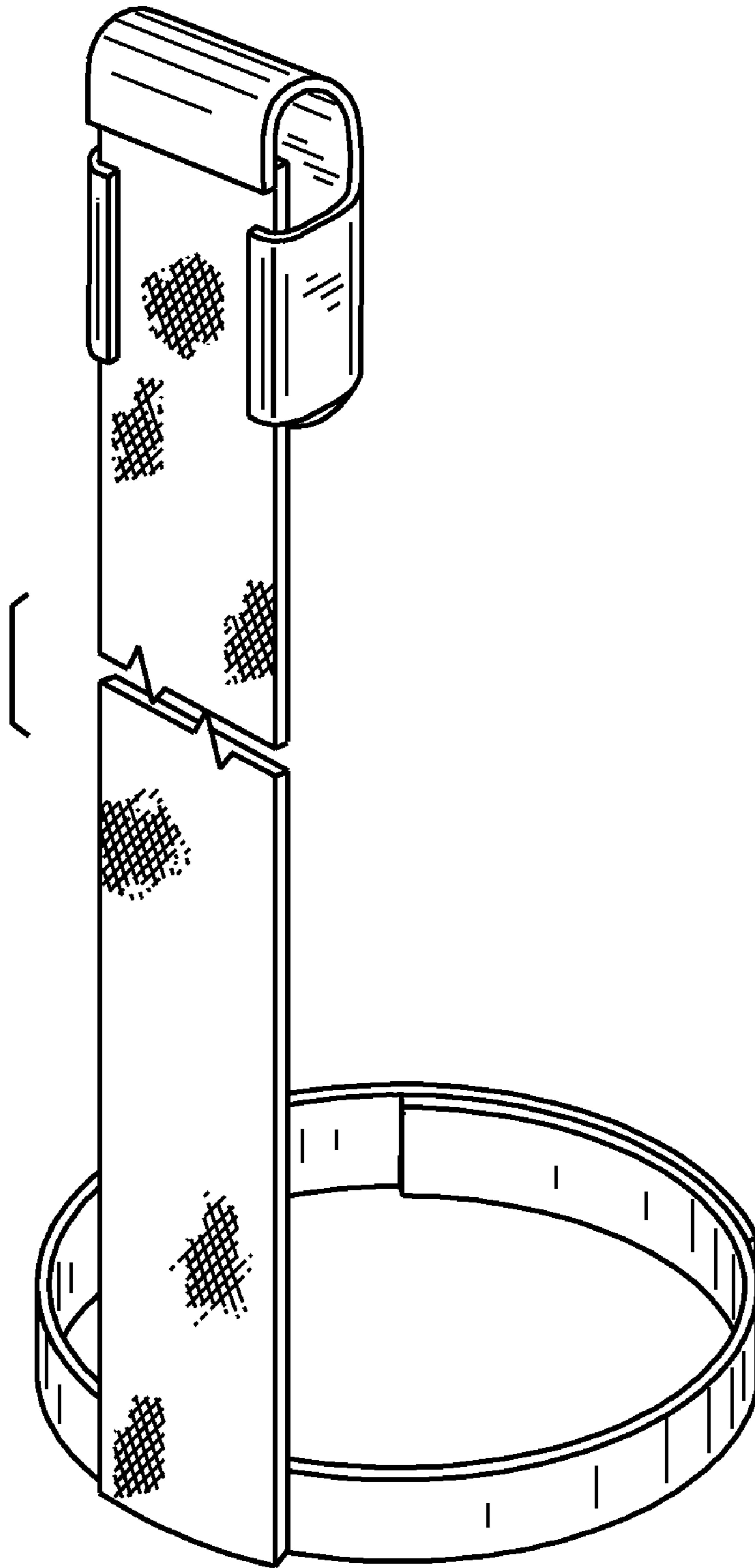


FIG. 1

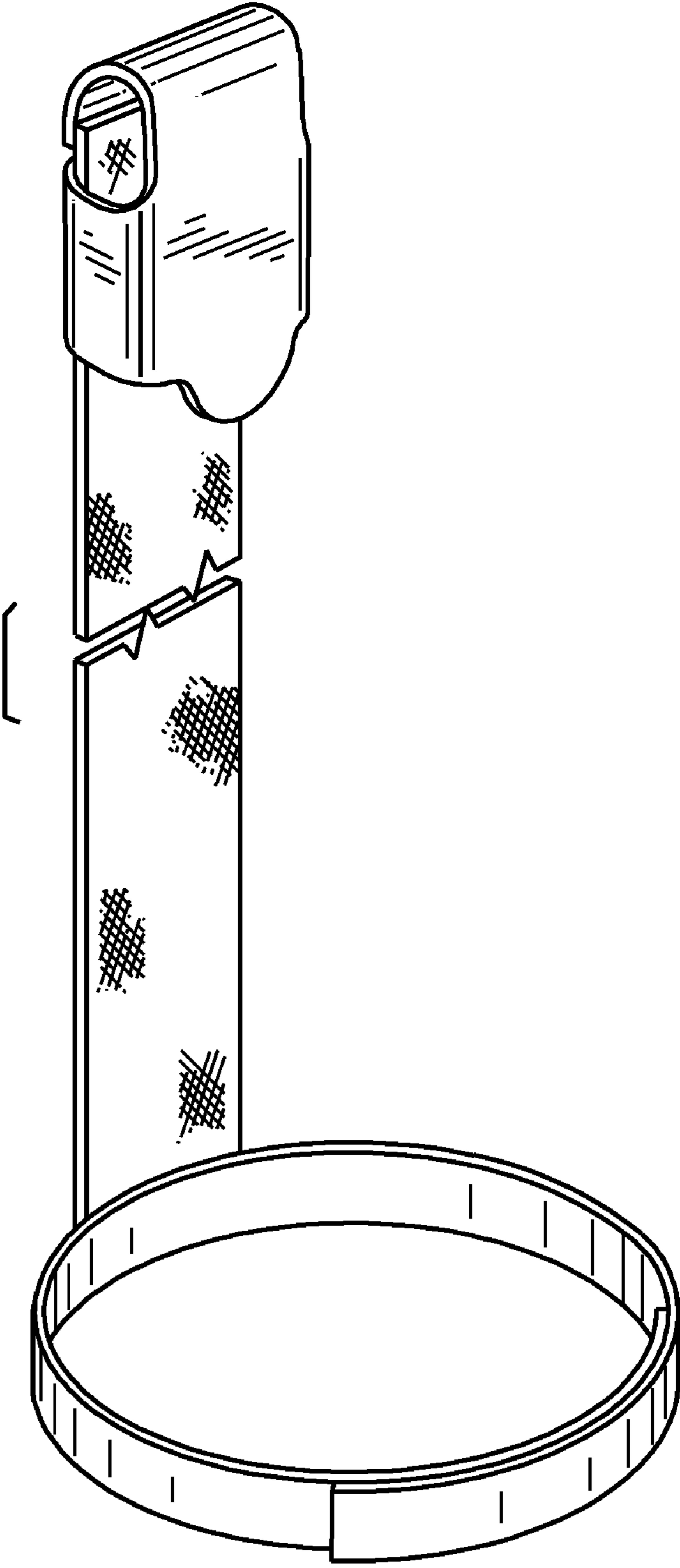


FIG. 2

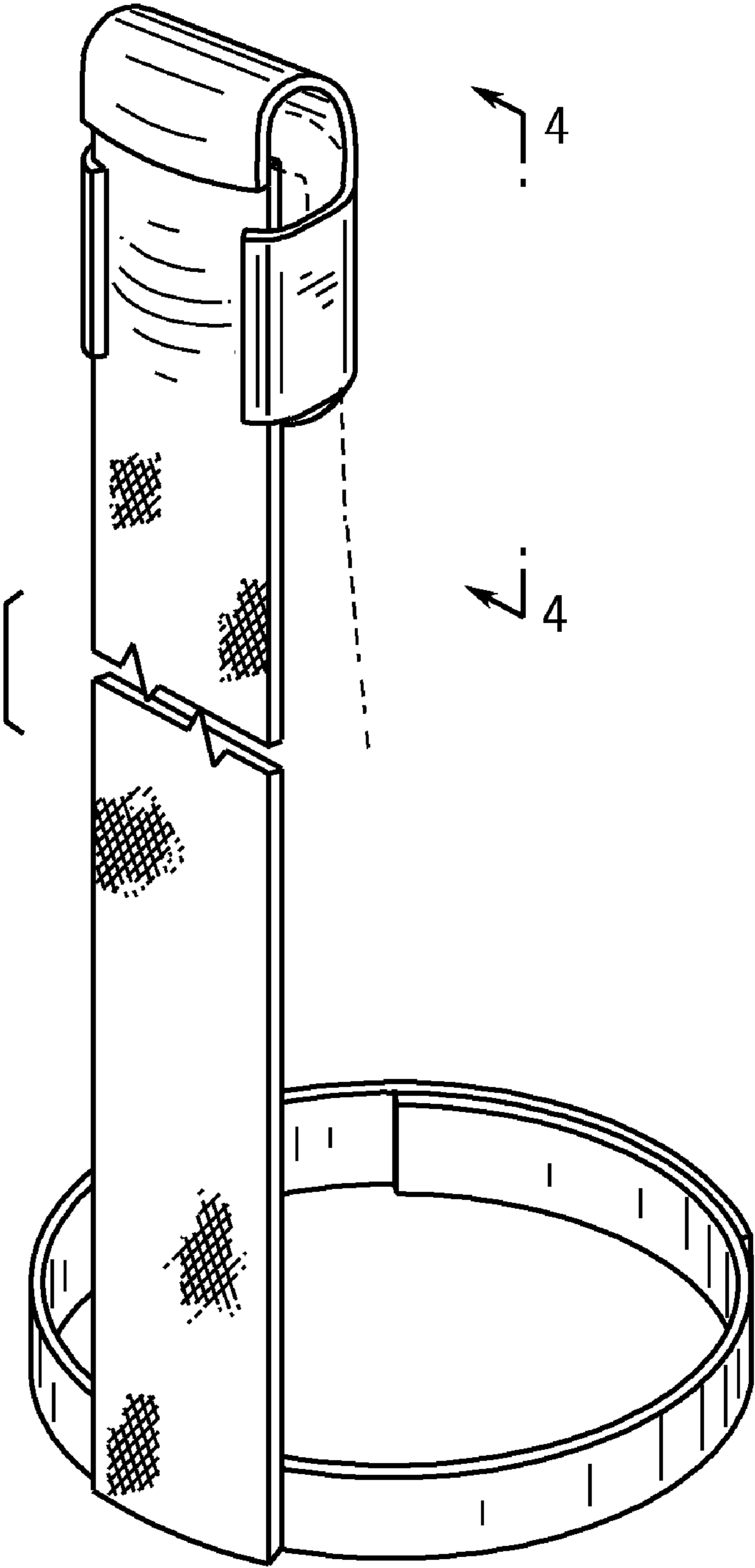


FIG. 3

FIG. 4

