



US00D636151S

(12) **United States Design Patent**
Dolce et al.

(10) **Patent No.:** **US D636,151 S**

(45) **Date of Patent:** **** *Apr. 19, 2011**

(54) **SUIT JACKET**

(75) Inventors: **Domenico Dolce**, Milan (IT); **Stefano Gabbana**, Milan (IT)

(73) Assignee: **Dolce & Gabbana S.r.l.**, Milan MI (IT)

(*) Notice: This patent is subject to a terminal disclaimer.

(**) Term: **14 Years**

(21) Appl. No.: **29/347,334**

(22) Filed: **Dec. 9, 2009**

(30) **Foreign Application Priority Data**

Jun. 19, 2009 (EM) 001554304

(51) **LOC (9) Cl.** **02-02**

(52) **U.S. Cl.** **D2/828; D2/833; D2/836**

(58) **Field of Classification Search** D2/828,
D2/779, 782, 754-755, 780, 781, 786, 798,
D2/799, 802, 833, 834, 836, 839, 841, 844,
D2/845, 847, 849, 857, 837; 2/96, 98, 108,
2/115, 129

See application file for complete search history.

(56) **References Cited**

U.S. PATENT DOCUMENTS

- D95,833 S * 6/1935 Jamieson D2/833
- 2,641,390 A * 6/1953 Sherbondy 2/96
- 2,713,168 A * 7/1955 Bagnato 2/115
- 3,345,644 A * 10/1967 Iannucci 2/96
- D209,565 S * 12/1967 Zavitsanos D2/837
- 3,404,408 A * 10/1968 Berman 2/96
- D213,351 S * 2/1969 Vitale D2/836
- D219,255 S * 11/1970 Zavitsanos D2/833

- 3,606,613 A * 9/1971 Johnson, Jr. 2/96
- D224,482 S * 8/1972 Foster D2/836
- D246,076 S * 10/1977 Zavitsanos D2/786
- 4,214,319 A * 7/1980 Bollag 2/108
- D312,525 S * 12/1990 Galeana D2/837
- 5,864,879 A * 2/1999 Bercane 2/93

OTHER PUBLICATIONS

Perlis.com. <http://www.google.com>. View Aug. 16, 2010. 1 page.*

* cited by examiner

Primary Examiner — Ian Simmons

Assistant Examiner — Wan Laymon

(74) *Attorney, Agent, or Firm* — Jacobson Holman PLLC

(57) **CLAIM**

The ornamental design for a suit jacket, as shown and described.

DESCRIPTION

FIG. 1 is a left front perspective view of a suit jacket showing our new design;

FIG. 2 is a front elevational view of the suit jacket of FIG. 1;

FIG. 3 is a rear elevational view of the suit jacket of FIG. 1;

FIG. 4 is a left side elevational view of the suit jacket of FIG. 1 showing the lapel and collar in raised position;

FIG. 5 is a right side elevational view of the suit jacket of FIG. 1 showing the lapel and collar in raised position;

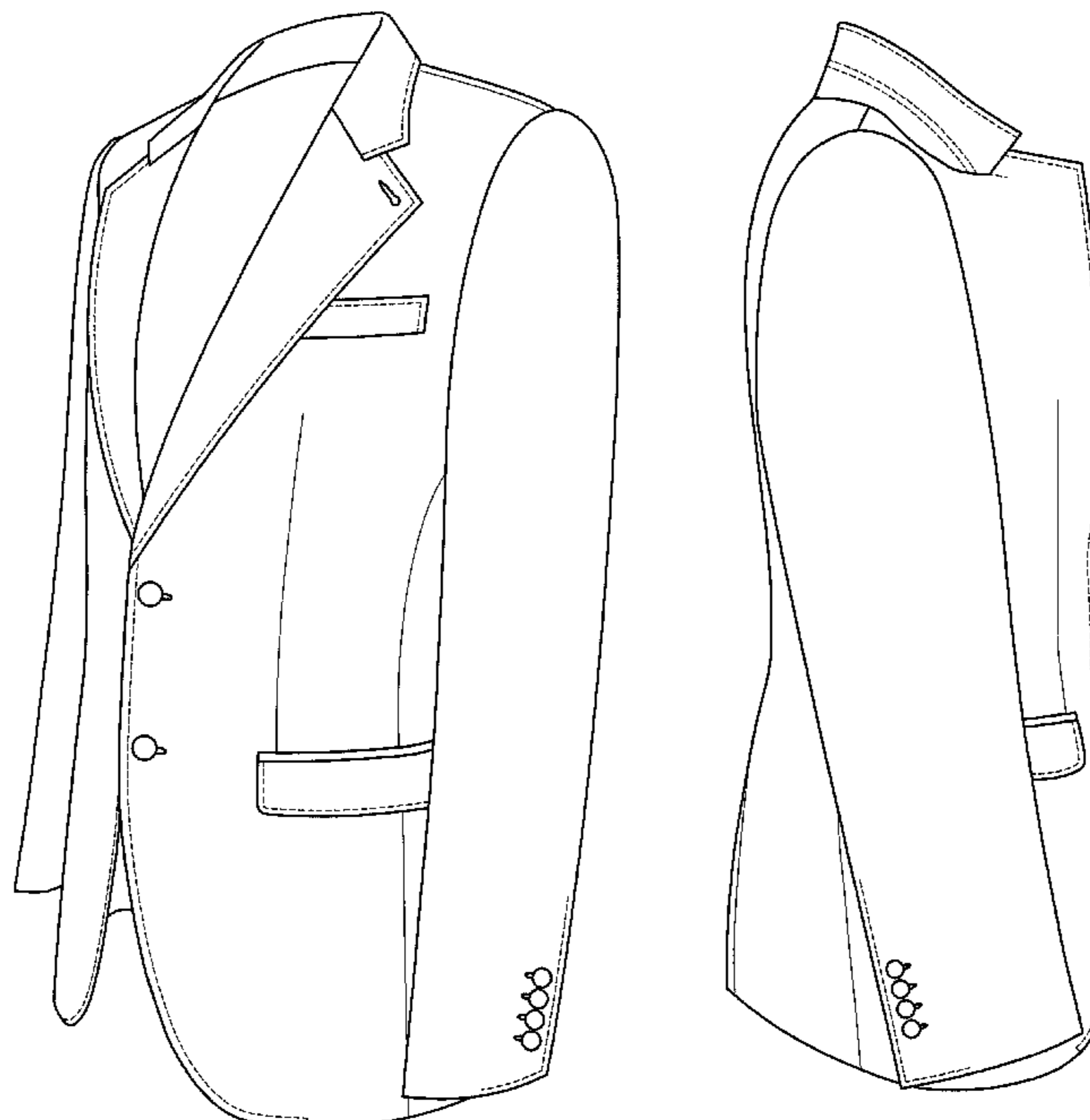
FIG. 6 is an enlarged top view of the suit jacket of FIG. 1; and,

FIG. 7 is an enlarged partial view showing the lapel taken at the area shown by 7 in FIG. 2.

The lower line is the seam line and the upper line is an object line as shown in FIGS. 1, 2, and 7.

The dash lines shown on the views are understood to represent stitching.

1 Claim, 7 Drawing Sheets



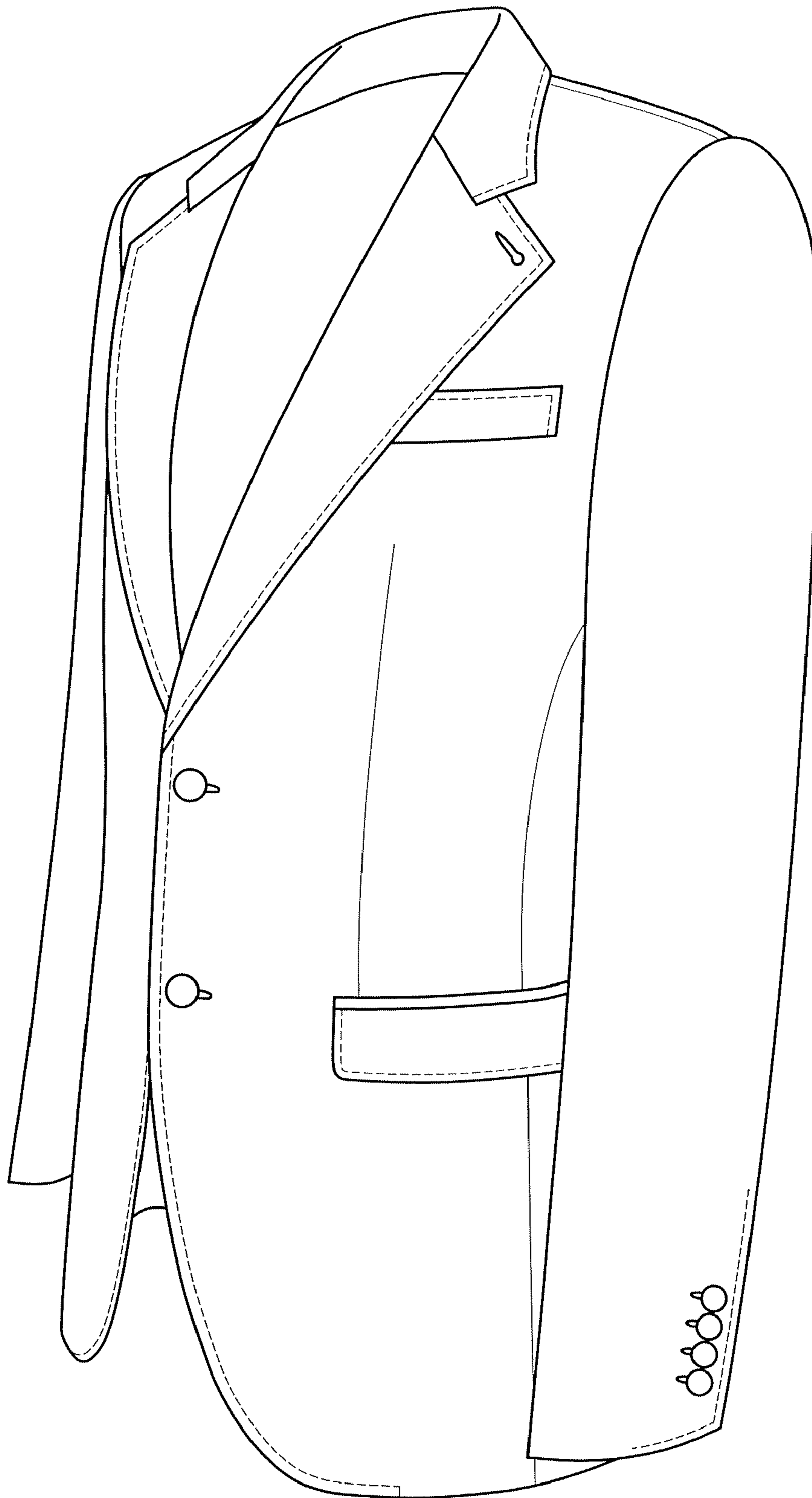


Fig. 1

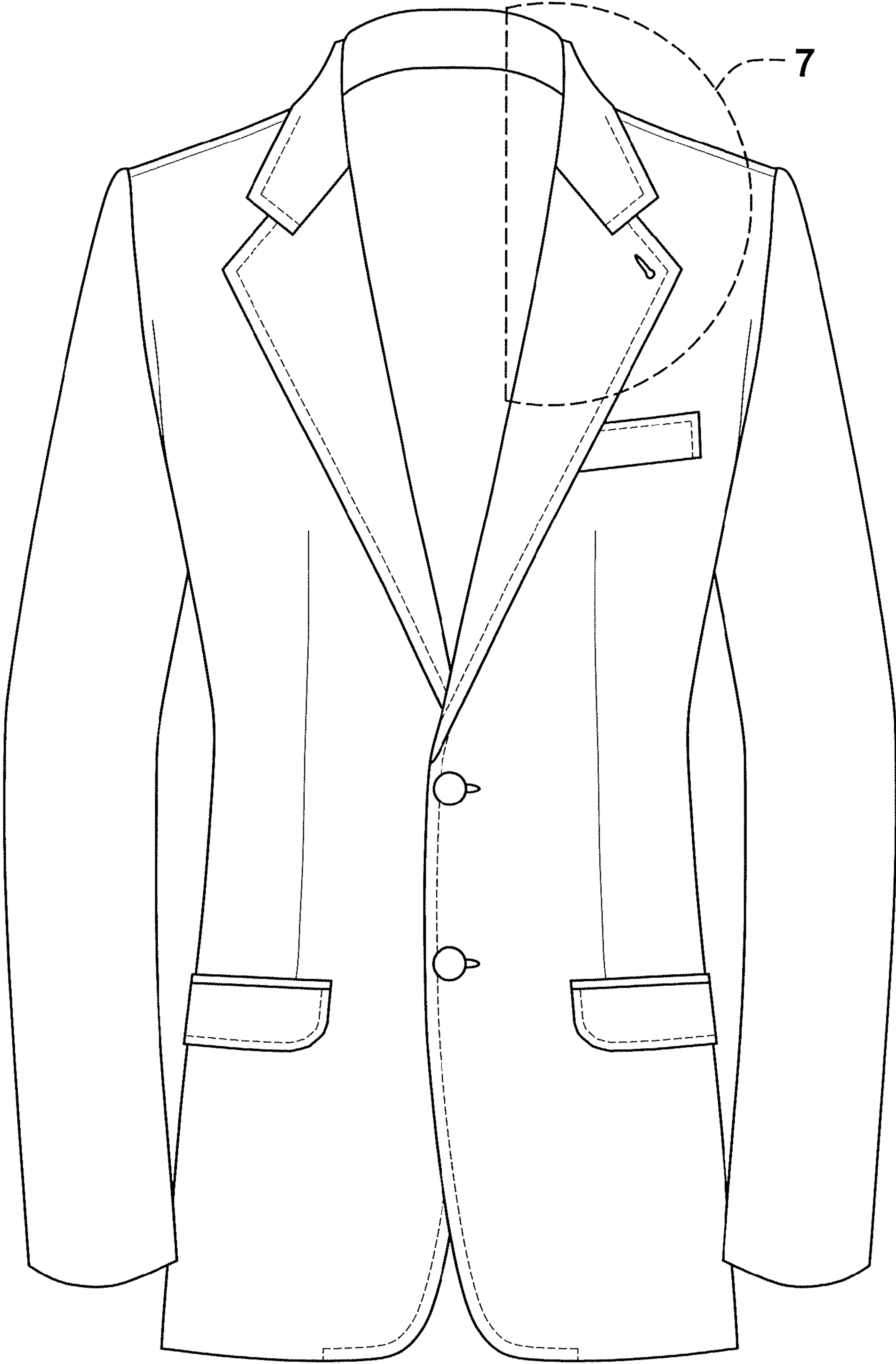


Fig. 2

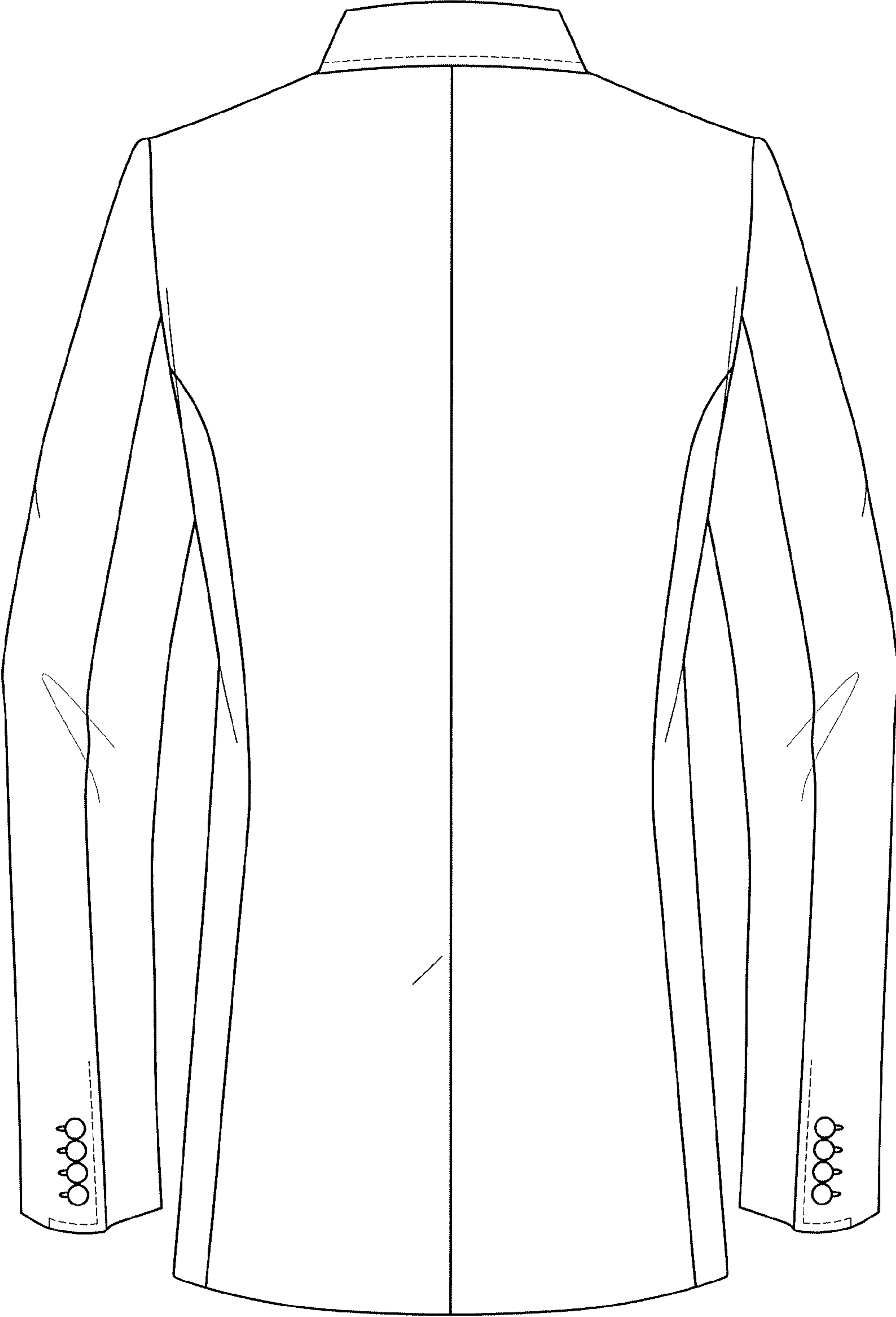


Fig. 3

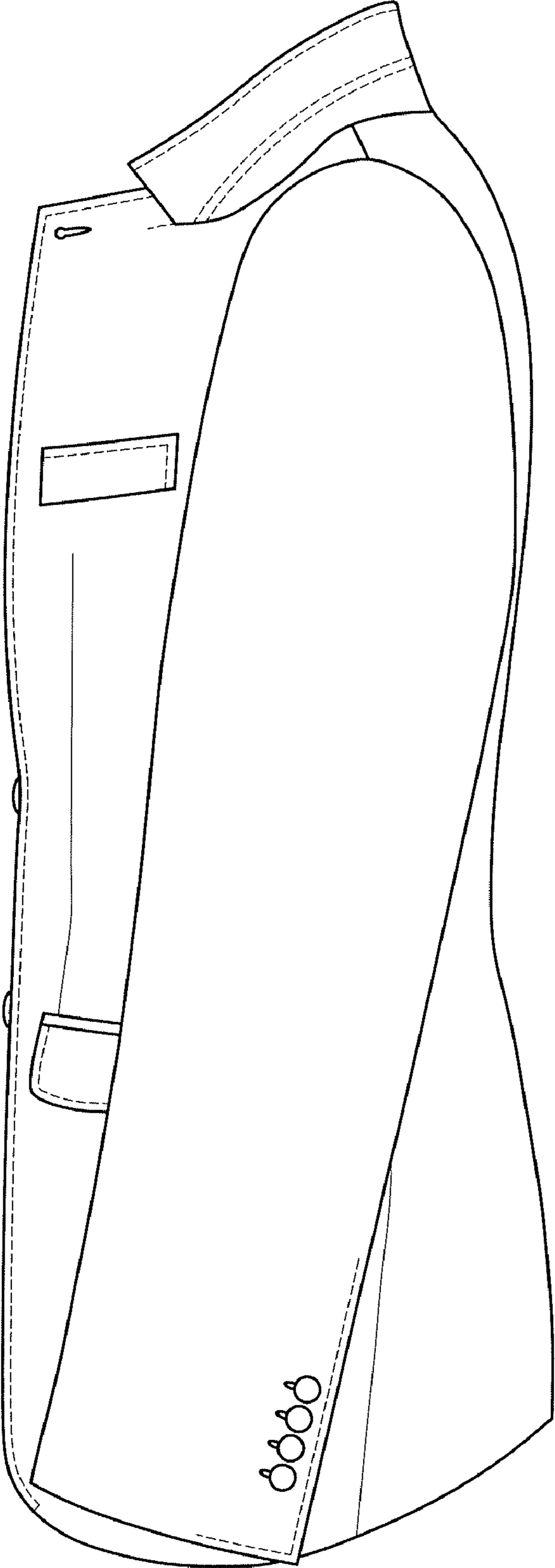


Fig. 4

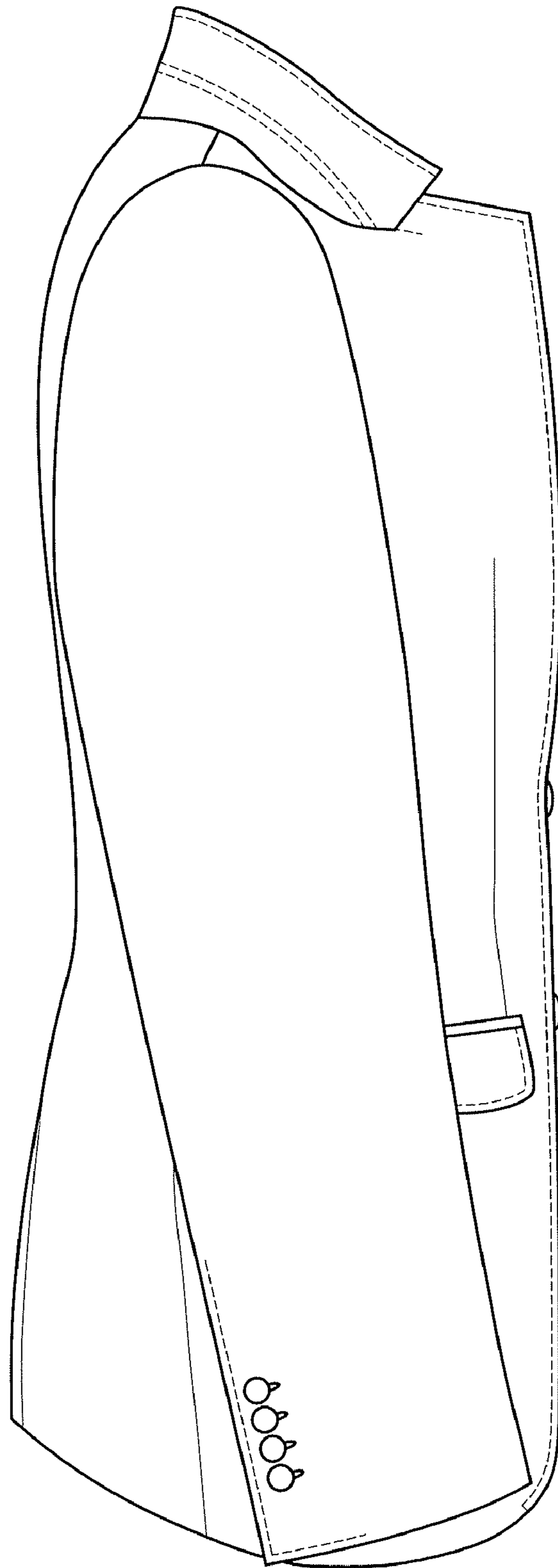


Fig. 5

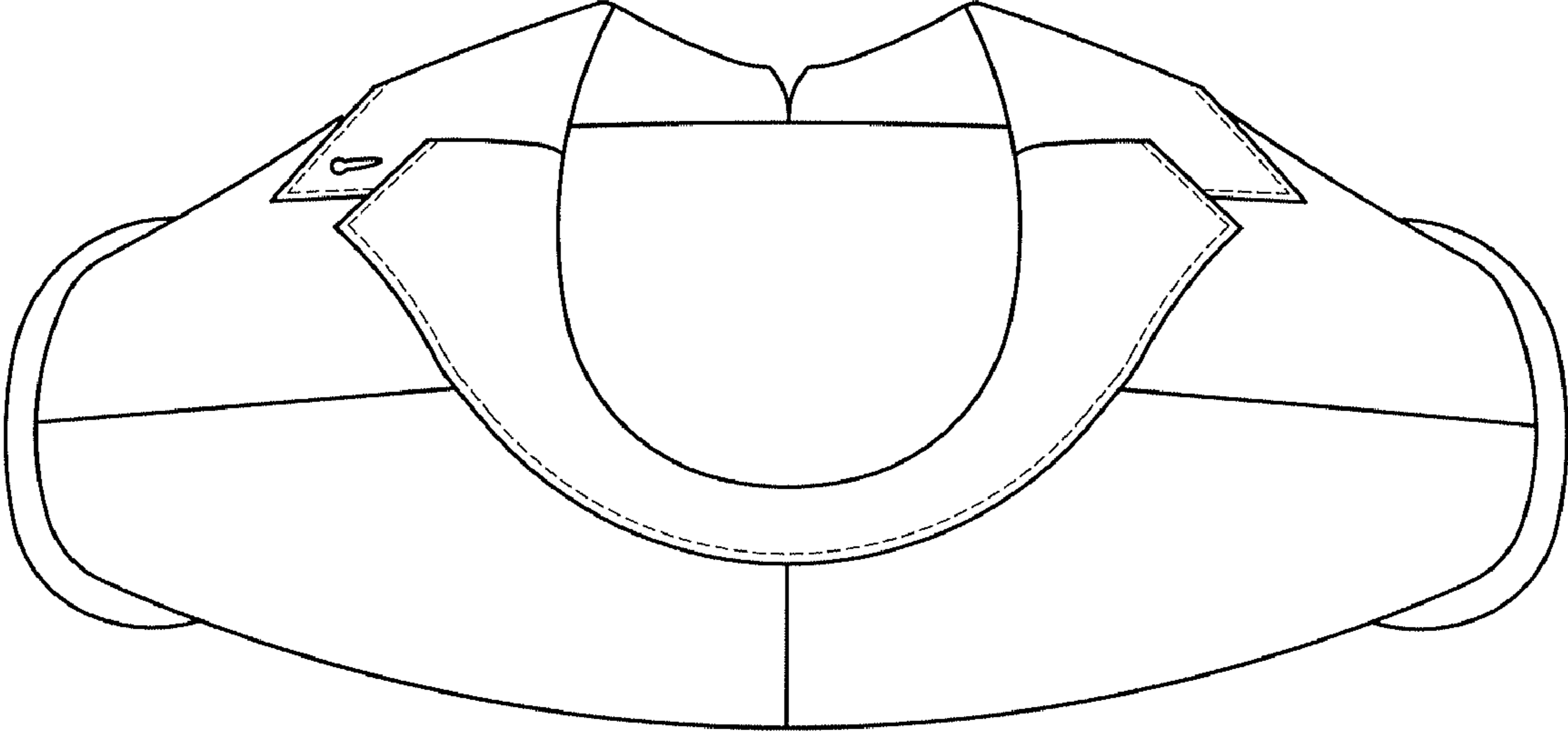


Fig. 6

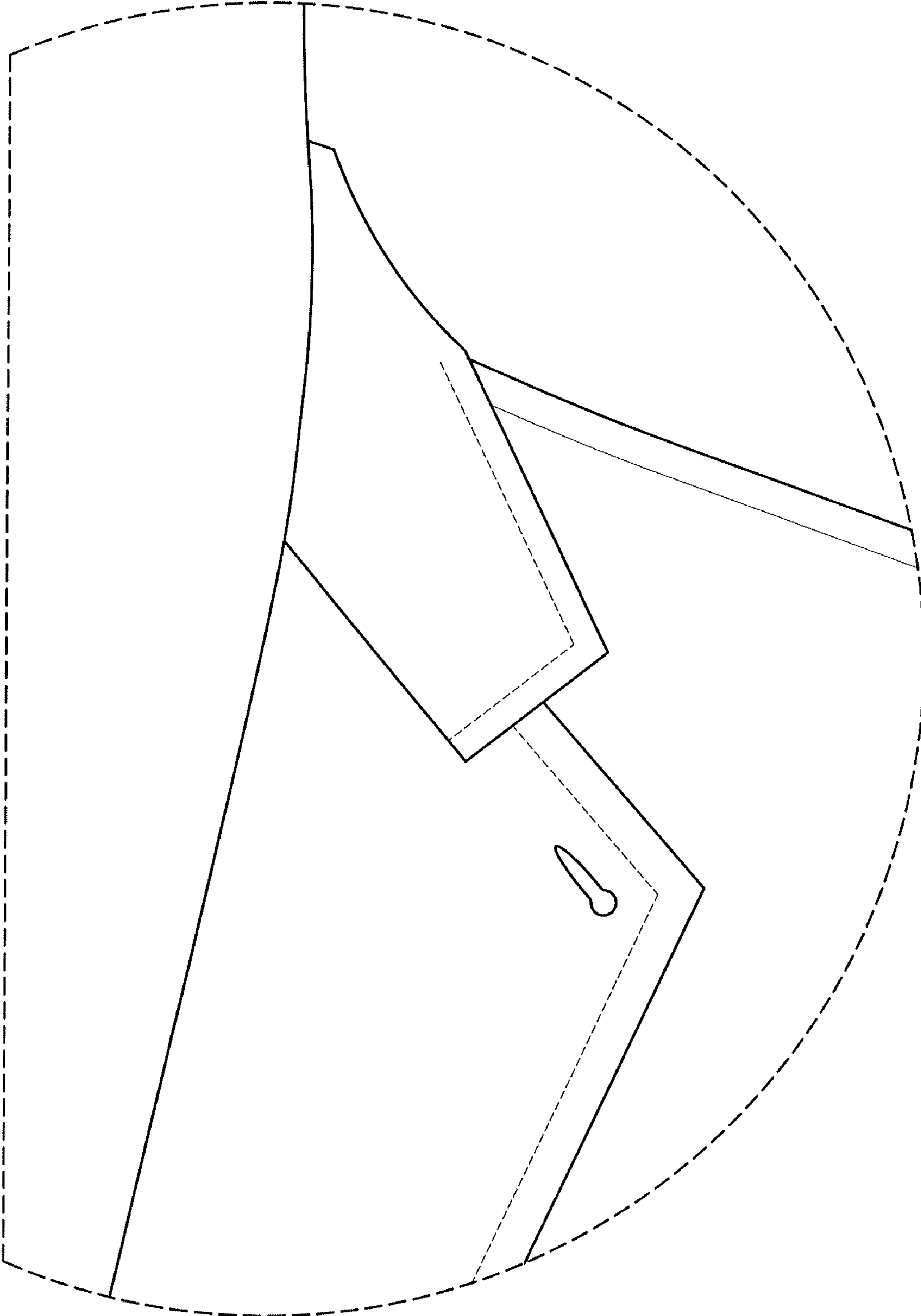


Fig. 7