



US00D636144S

(12) **United States Design Patent**
Nagase et al.

(10) **Patent No.:** **US D636,144 S**
(45) **Date of Patent:** **** Apr. 12, 2011**

(54) **HOIST**

(75) Inventors: **Youichi Nagase**, Fukuoka (JP); **Naoya Ogawa**, Fukuoka (JP); **Fujito Yodate**, Yamanashi (JP); **Kazuho Furukawa**, Yamanashi (JP)

(73) Assignee: **Kito Corp.**, Yamanashi (JP)

(**) Term: **14 Years**

(21) Appl. No.: **29/361,122**

(22) Filed: **May 5, 2010**

(30) **Foreign Application Priority Data**

Nov. 6, 2009 (JP) 2009-025976

(51) **LOC (9) Cl.** **12-05**

(52) **U.S. Cl.** **D34/33**

(58) **Field of Classification Search** D34/28,
D34/33; 254/382, 374, 356, 380; D8/14,
D8/21, 28, 54; 414/426, 427, 428, 430
See application file for complete search history.

(56) **References Cited**

U.S. PATENT DOCUMENTS

D278,754 S * 5/1985 Andersson et al. D34/33
D459,048 S * 6/2002 Leemans D34/33
D473,992 S * 4/2003 Hodge D34/33
D491,333 S * 6/2004 Blasek D34/33

D513,650 S * 1/2006 Elliott D34/33
D532,577 S * 11/2006 Elliott et al. D34/33
D550,720 S * 9/2007 Geisler et al. D34/33
D550,923 S * 9/2007 Huang D34/33
D555,874 S * 11/2007 Elliott et al. D34/33
D586,073 S * 2/2009 Tsao D34/33
D591,923 S * 5/2009 Freitas et al. D34/33
D597,105 S * 7/2009 Geisler et al. D15/9
D599,524 S * 9/2009 Averill et al. D34/33

FOREIGN PATENT DOCUMENTS

EM 000368600-0001 6/2005
EM 000368600-0002 6/2005

* cited by examiner

Primary Examiner — Cynthia E Ramirez

(74) *Attorney, Agent, or Firm* — Christie, Parker & Hale, LLP.

(57) **CLAIM**

The ornamental design for a hoist, as shown and described.

DESCRIPTION

FIG. 1 is a perspective view of the hoist;
FIG. 2 is a front view thereof;
FIG. 3 is a rear view thereof;
FIG. 4 is a left side view thereof;
FIG. 5 is a right side view thereof;
FIG. 6 is a top plan view thereof; and,
FIG. 7 is a bottom plan view thereof.
Environmental features shown in broken lines are for illustrative purposes only and form no part of the claimed design.

1 Claim, 4 Drawing Sheets

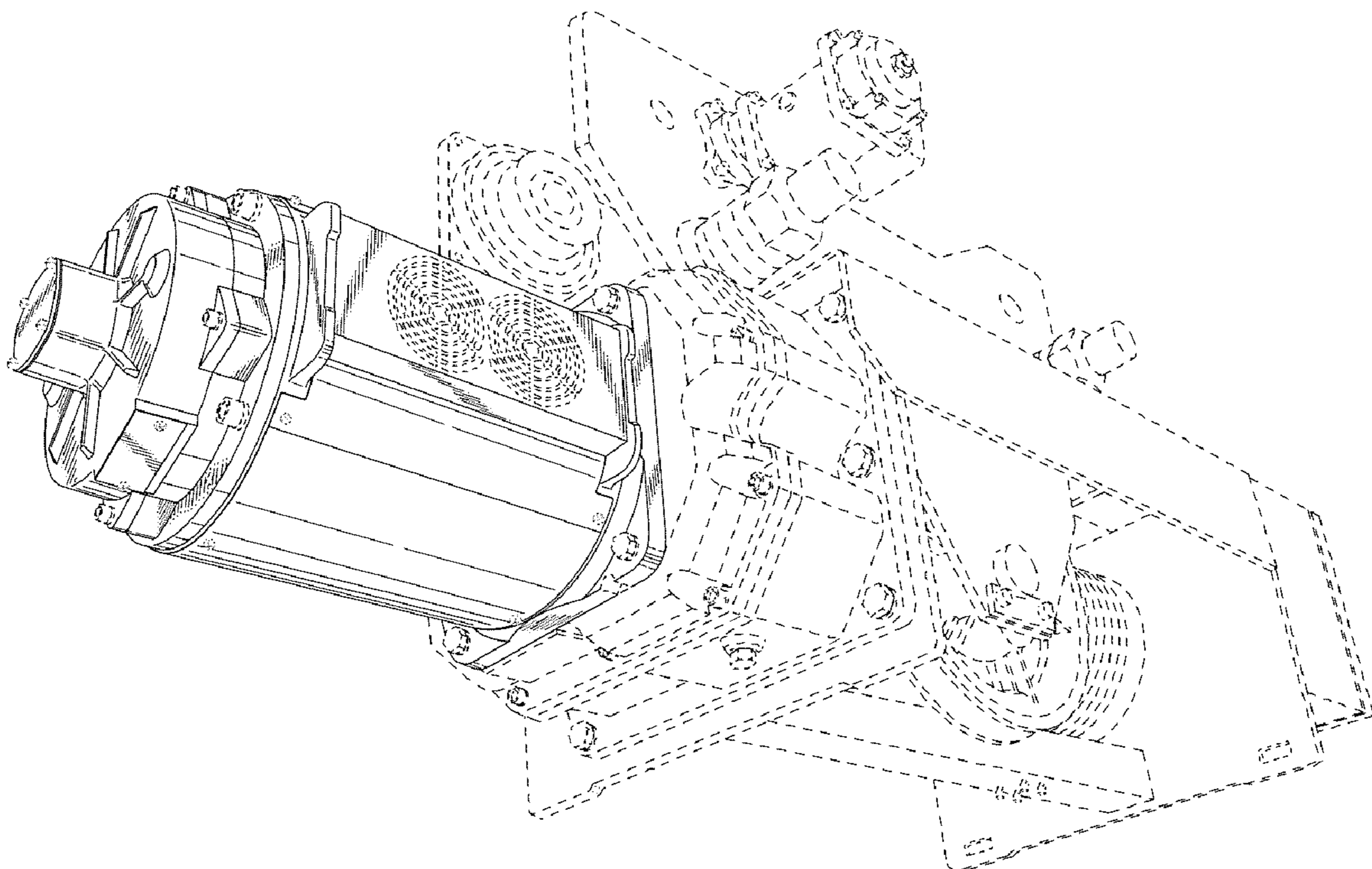


Fig. 1

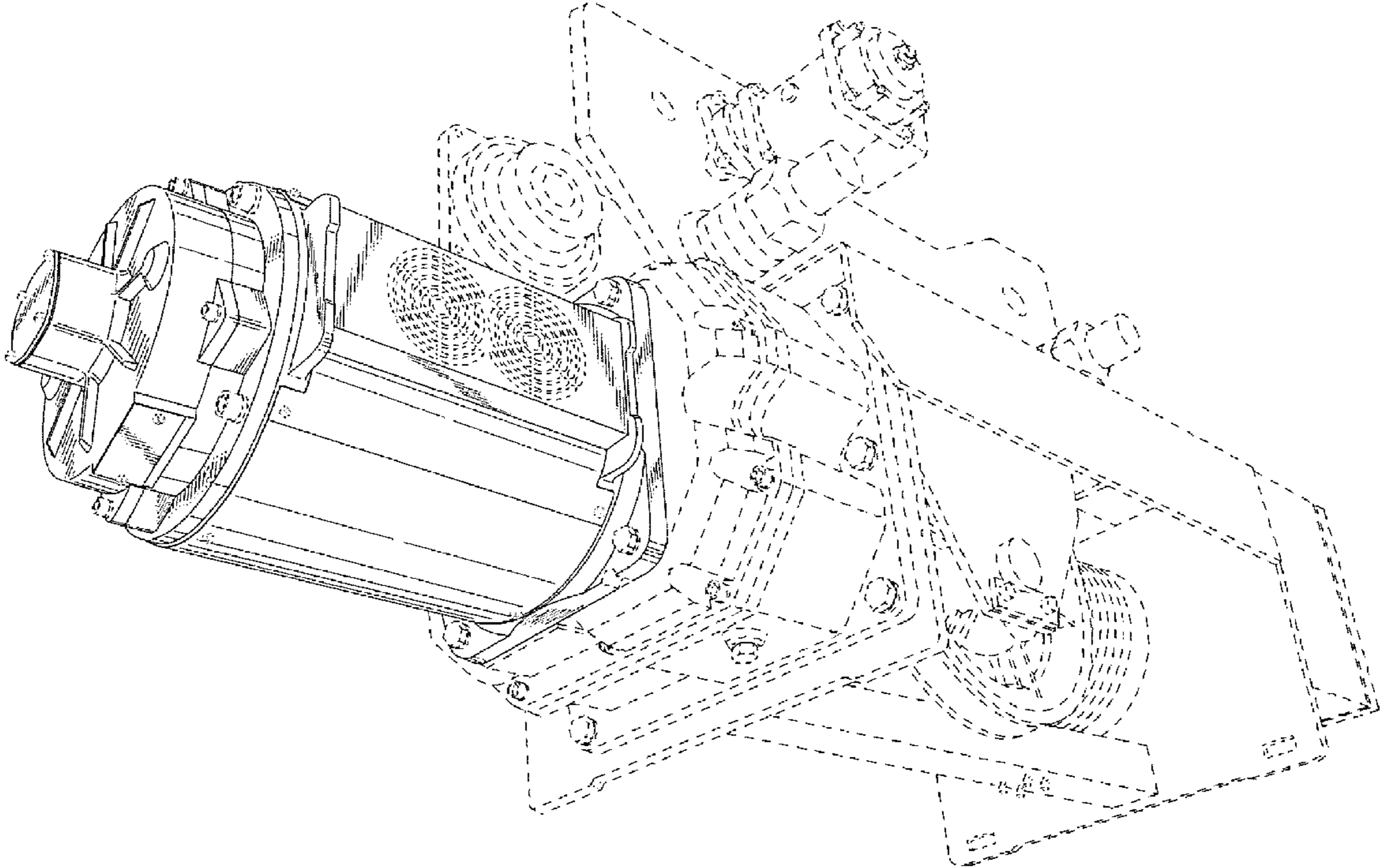


Fig.2

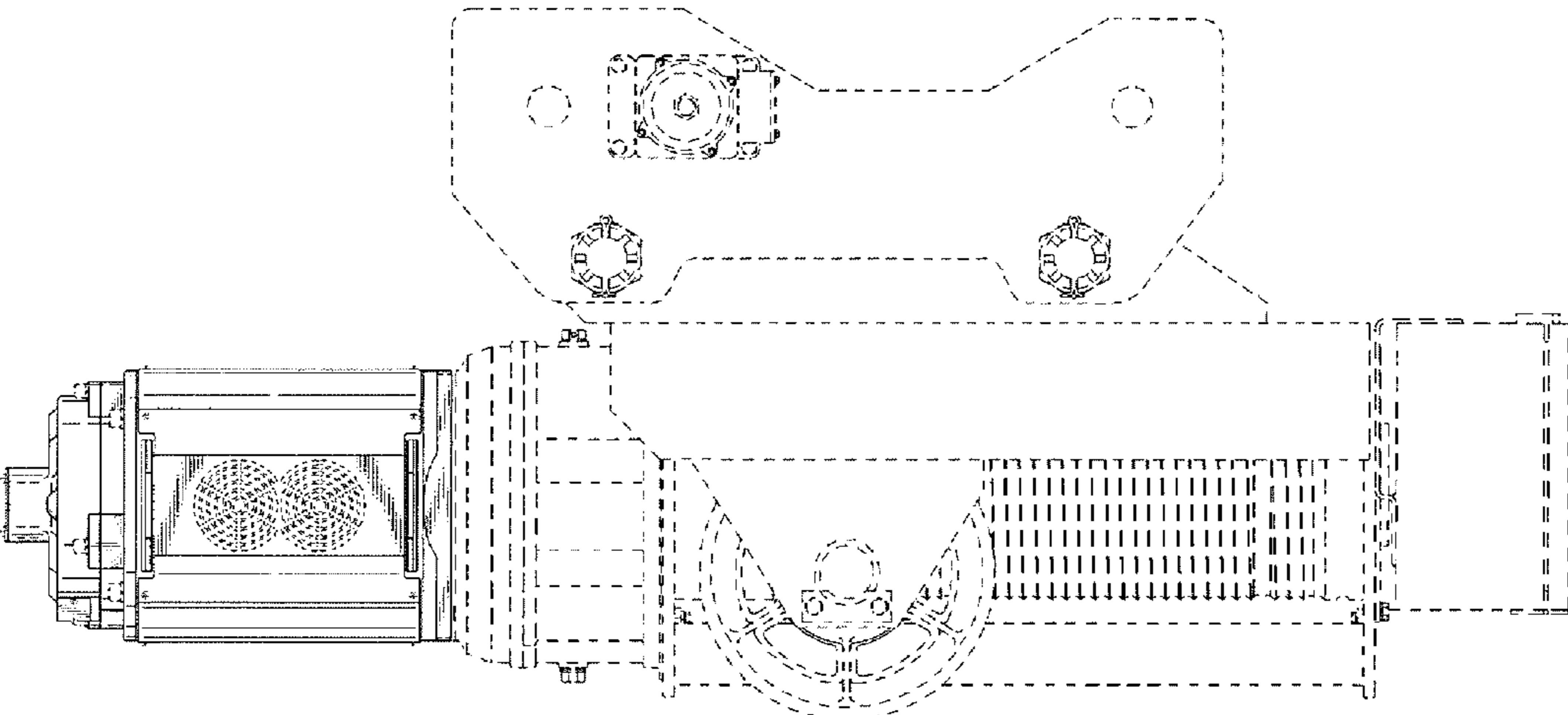


Fig.3

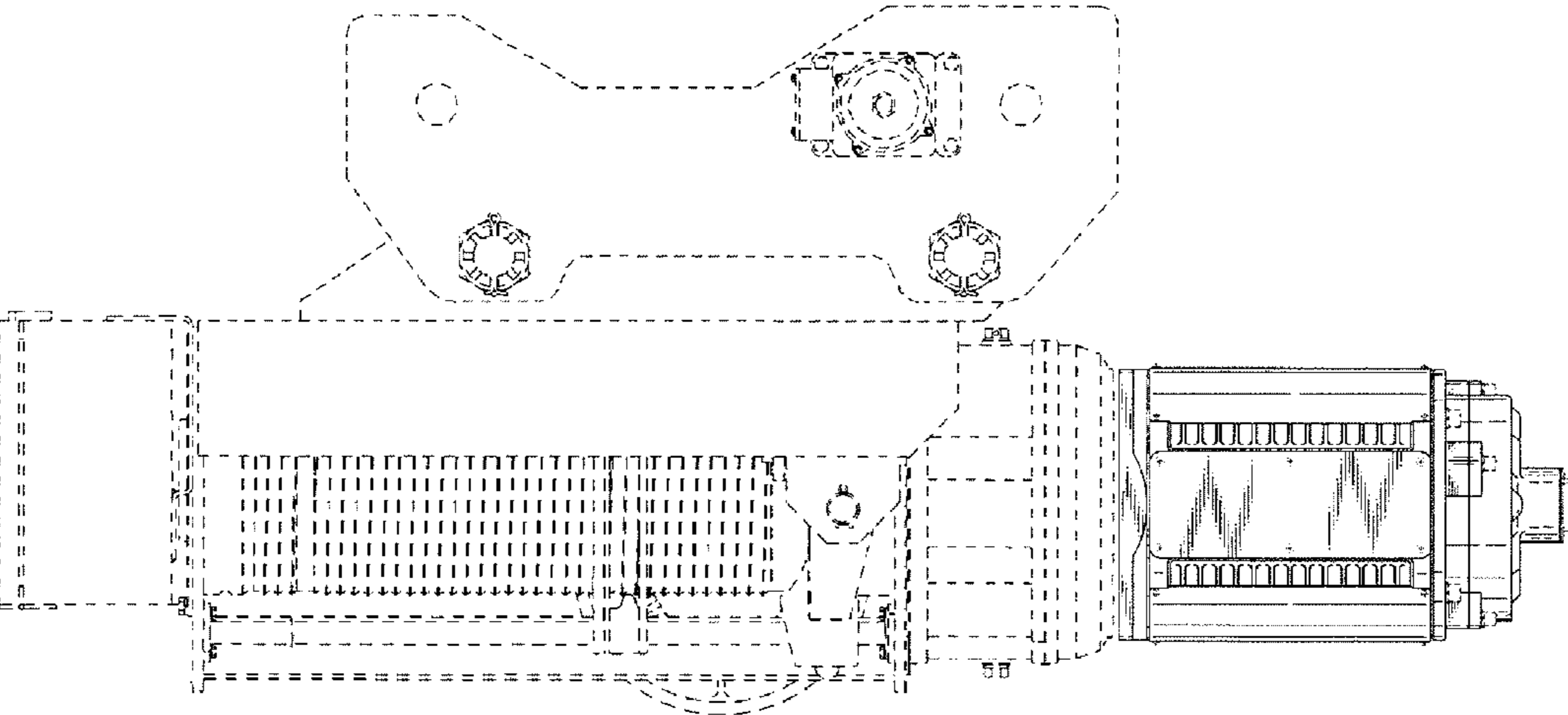


Fig.4

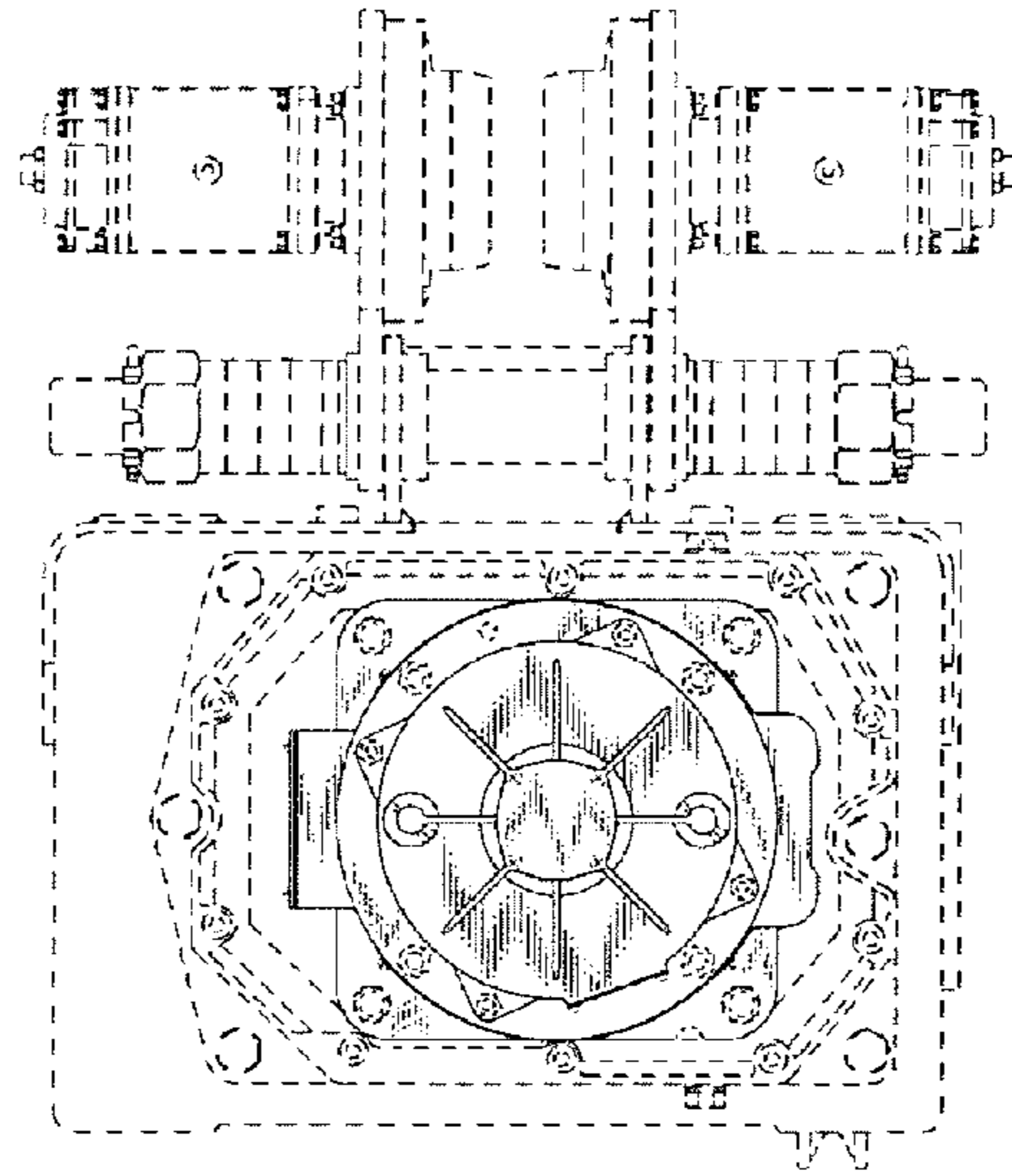


Fig.5

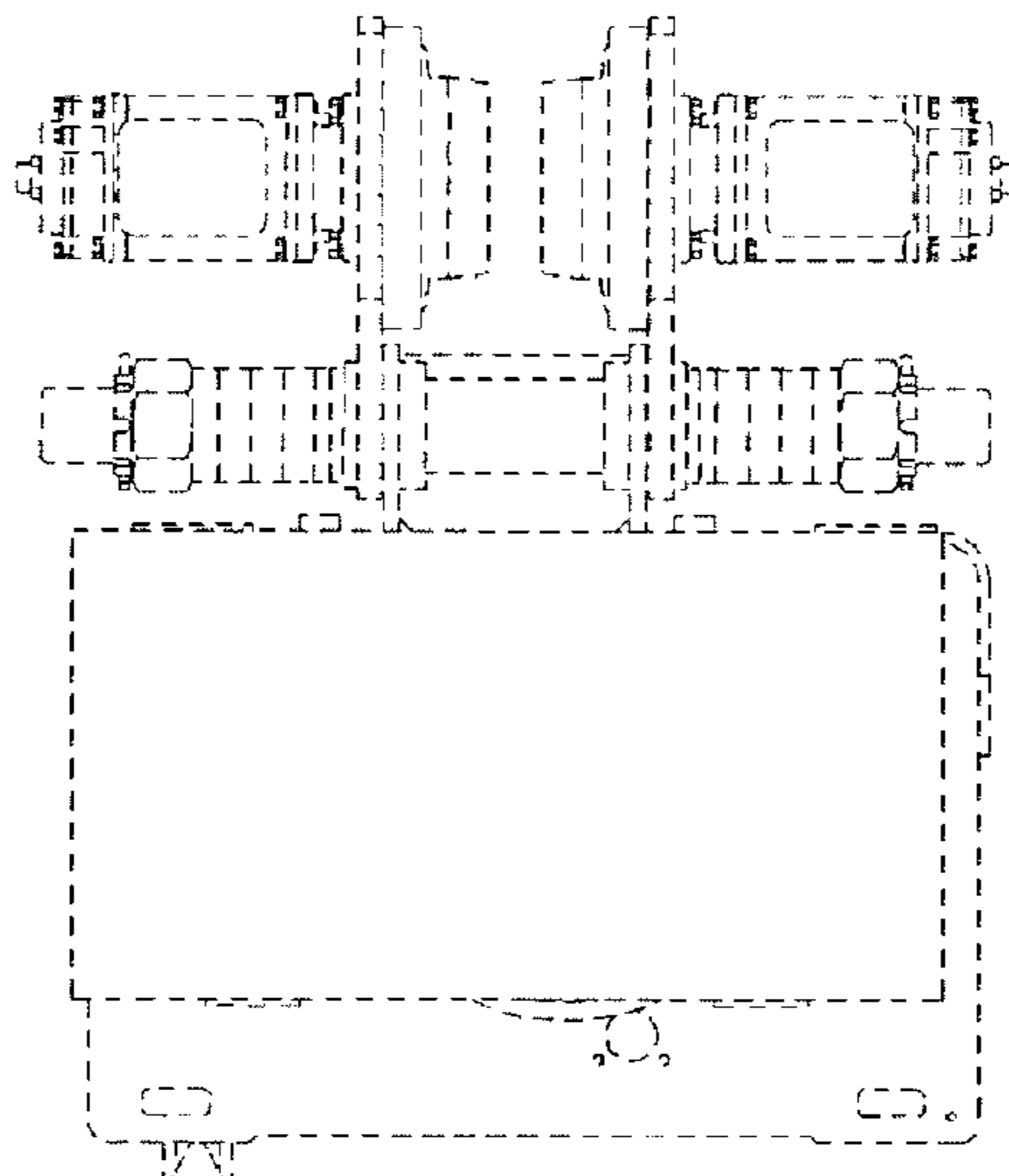


Fig.6

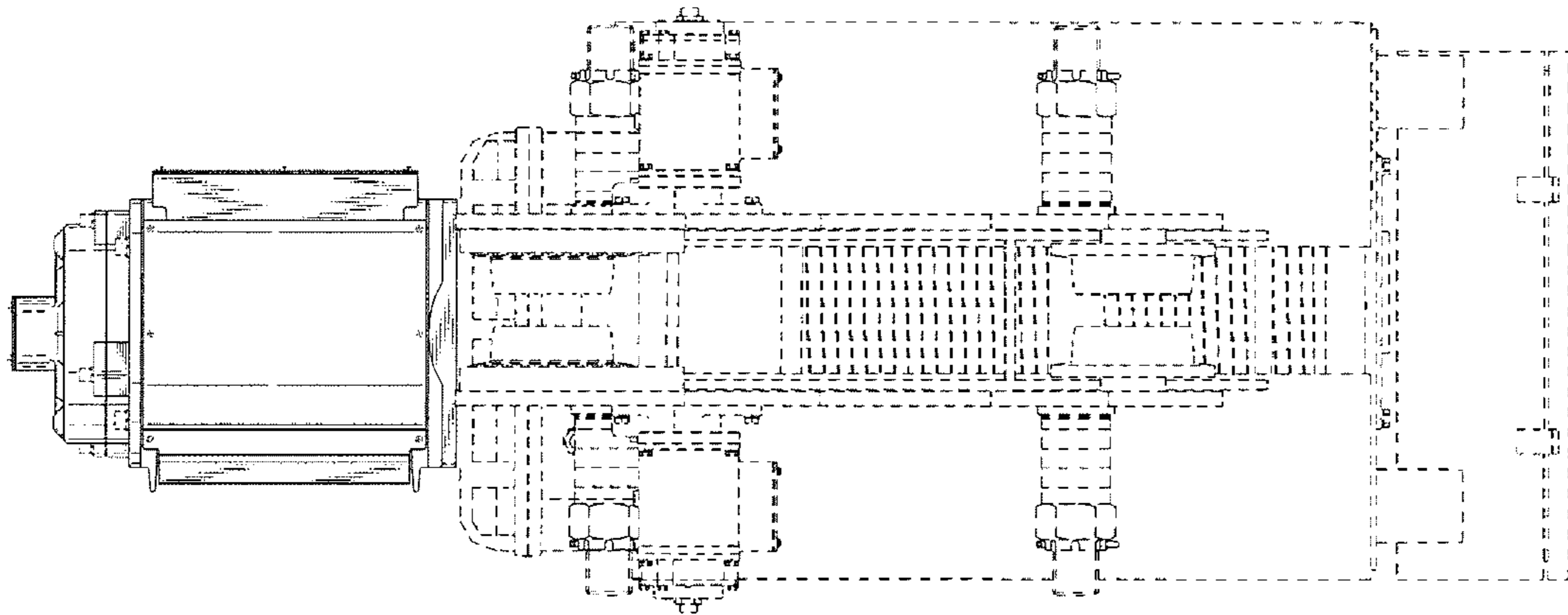


Fig.7

