



US00D636143S

(12) **United States Design Patent**  
**Nagase et al.**

(10) **Patent No.:** **US D636,143 S**  
(45) **Date of Patent:** **\*\* Apr. 12, 2011**

(54) **HOIST**

(75) Inventors: **Youichi Nagase**, Fukuoka (JP); **Naoya Ogawa**, Fukuoka (JP); **Fujito Yodate**, Yamanashi (JP); **Kazuho Furukawa**, Yamanashi (JP)

(73) Assignee: **Kito Corp.**, Yamanashi (JP)

(\*\*) Term: **14 Years**

(21) Appl. No.: **29/361,112**

(22) Filed: **May 5, 2010**

(30) **Foreign Application Priority Data**

Nov. 6, 2009 (JP) ..... 2009-025995

(51) **LOC (9) Cl.** ..... **12-05**

(52) **U.S. Cl.** ..... **D34/33**

(58) **Field of Classification Search** ..... D34/28,  
D34/33; 254/382, 374, 356, 380; D8/14,  
D8/21, 28, 54; 414/426, 427, 428, 430  
See application file for complete search history.

(56) **References Cited**

U.S. PATENT DOCUMENTS

D278,754 S *	5/1985	Andersson et al.	.....	D34/33
D459,048 S *	6/2002	Leemans	.....	D34/33
D473,992 S *	4/2003	Hodge	.....	D34/33
D491,333 S *	6/2004	Blasek	.....	D34/33

D513,650 S *	1/2006	Elliott	.....	D34/33
D532,577 S *	11/2006	Elliott et al.	.....	D34/33
D550,720 S *	9/2007	Geisler et al.	.....	D34/33
D550,923 S *	9/2007	Huang	.....	D34/33
D555,874 S *	11/2007	Elliott et al.	.....	D34/33
D586,073 S *	2/2009	Tsao	.....	D34/33
D591,923 S *	5/2009	Freitas et al.	.....	D34/33
D597,105 S *	7/2009	Geisler et al.	.....	D15/9
D599,524 S *	9/2009	Averill et al.	.....	D34/33

FOREIGN PATENT DOCUMENTS

EM	000368600-0001	6/2005
EM	000368600-0002	6/2005

\* cited by examiner

*Primary Examiner* — Cynthia E Ramirez

(74) *Attorney, Agent, or Firm* — Christie, Parker & Hale, LLP.

(57) **CLAIM**

The ornamental design for a hoist, as shown and described.

**DESCRIPTION**

FIG. 1 is a perspective view of the hoist;  
FIG. 2 is a front view thereof;  
FIG. 3 is a rear view thereof;  
FIG. 4 is a left side view thereof;  
FIG. 5 is a right side view thereof;  
FIG. 6 is a top plan view thereof; and,  
FIG. 7 is a bottom plan view thereof.  
Environmental features shown in broken lines are for illustrative purposes only and form no part of the claimed design.

**1 Claim, 4 Drawing Sheets**

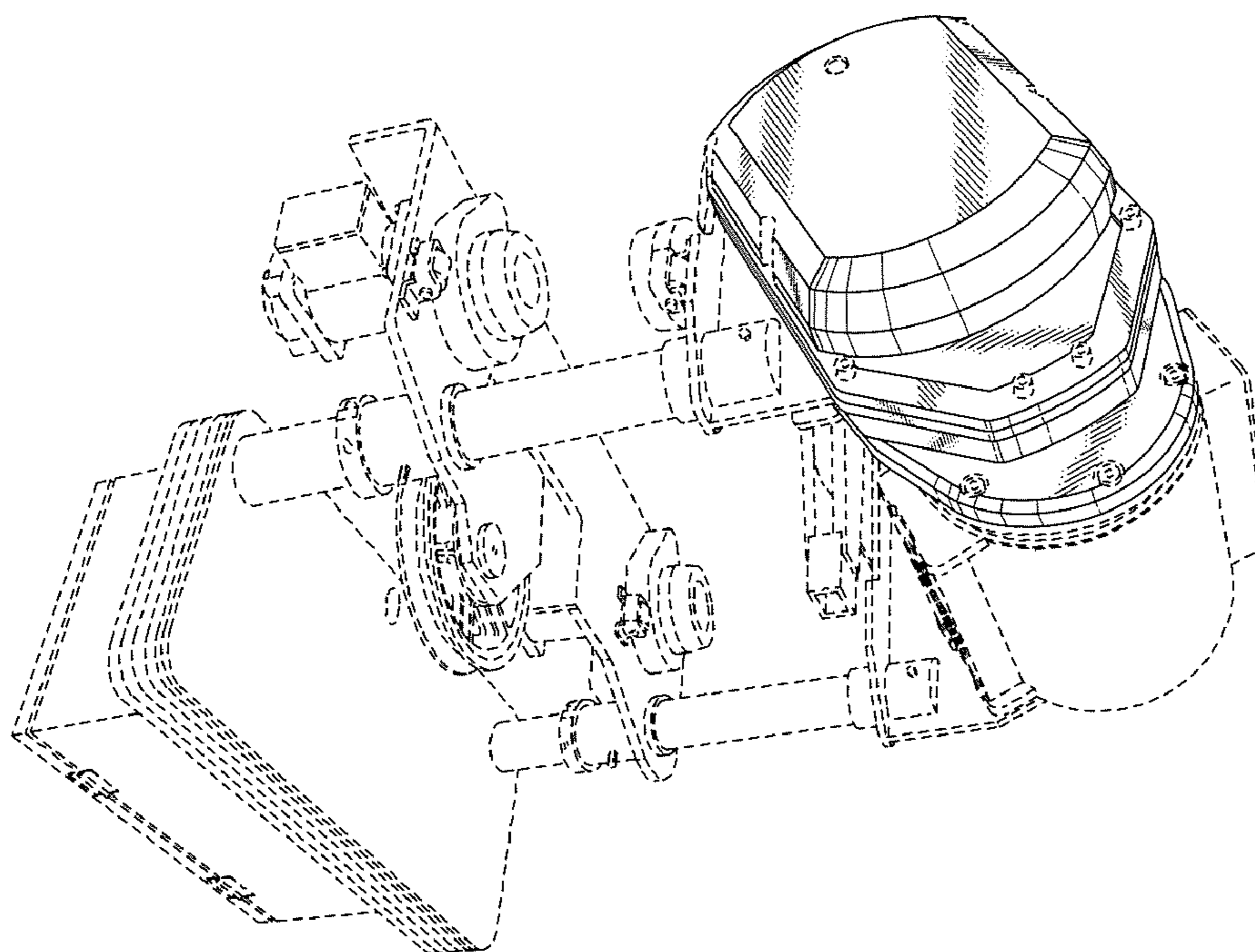


Fig. 1

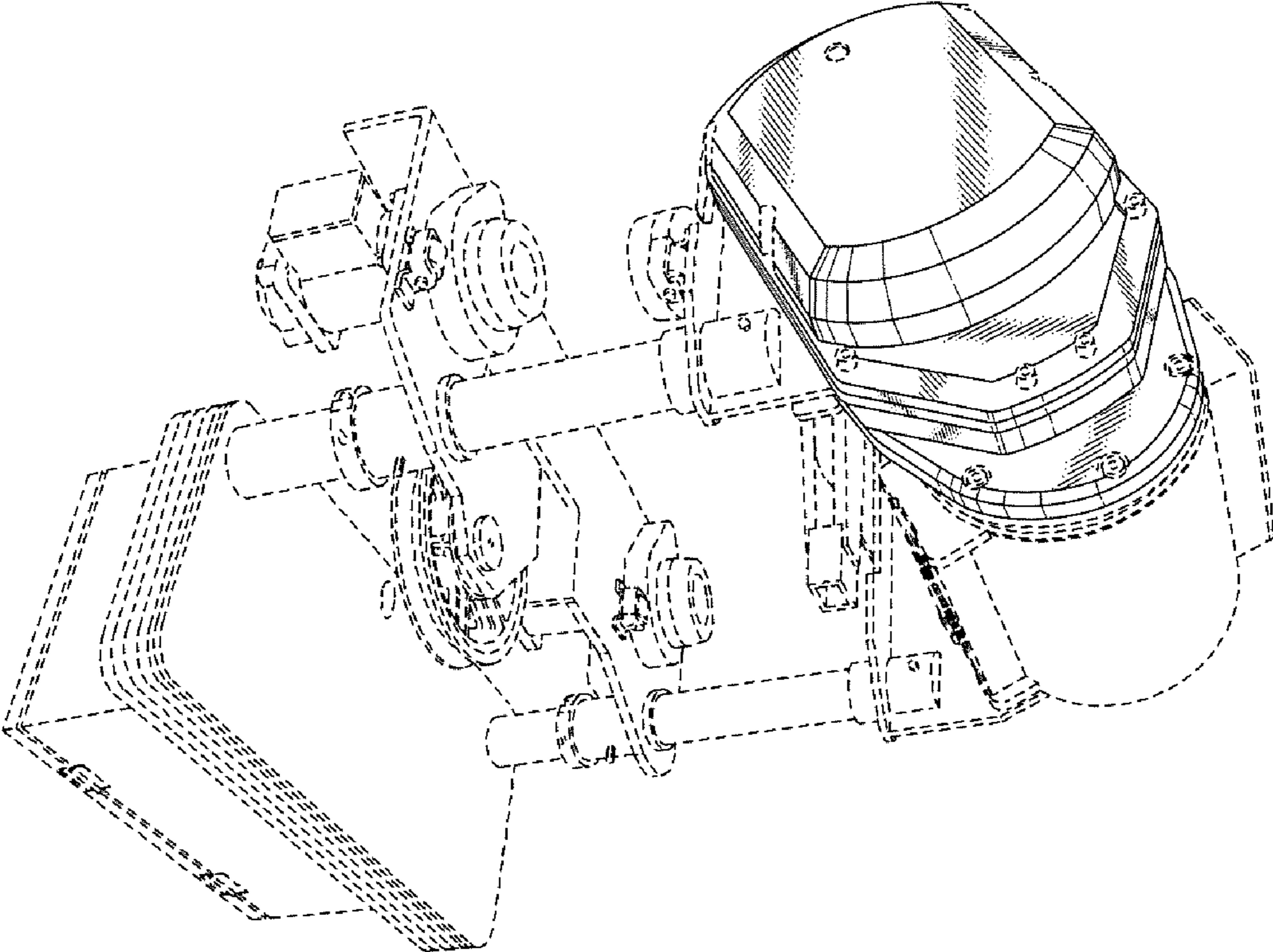


Fig.2

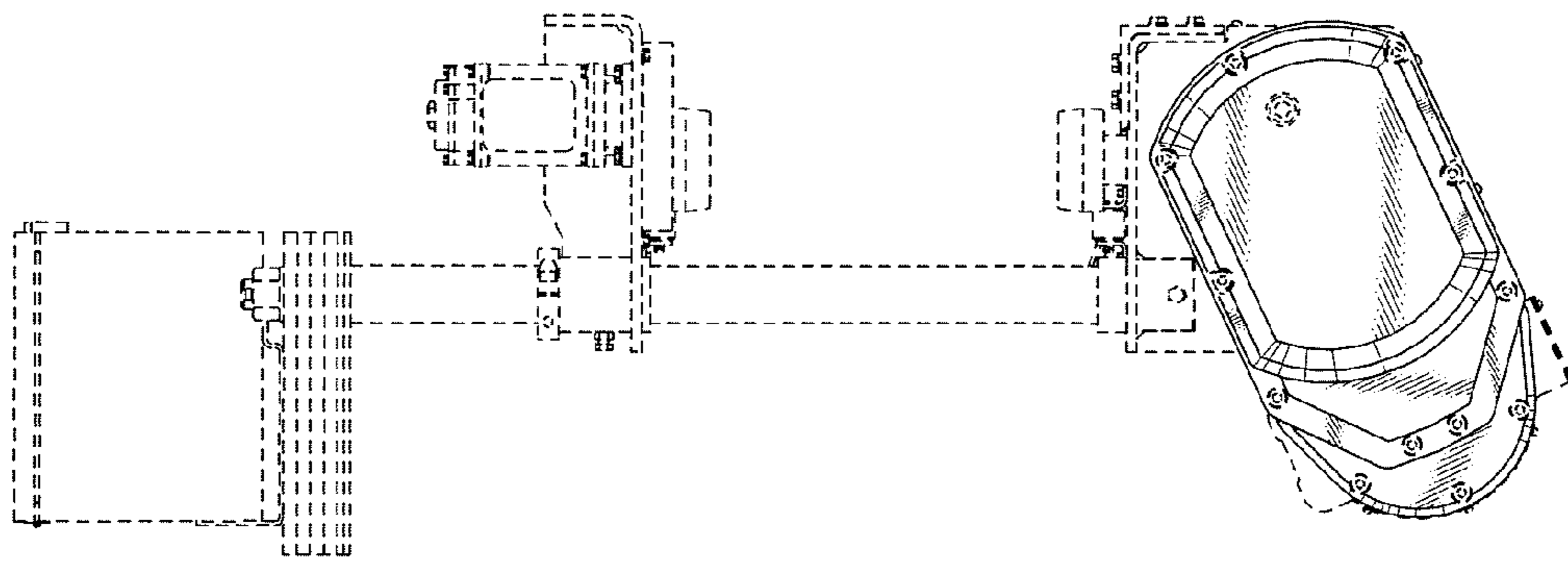


Fig.3

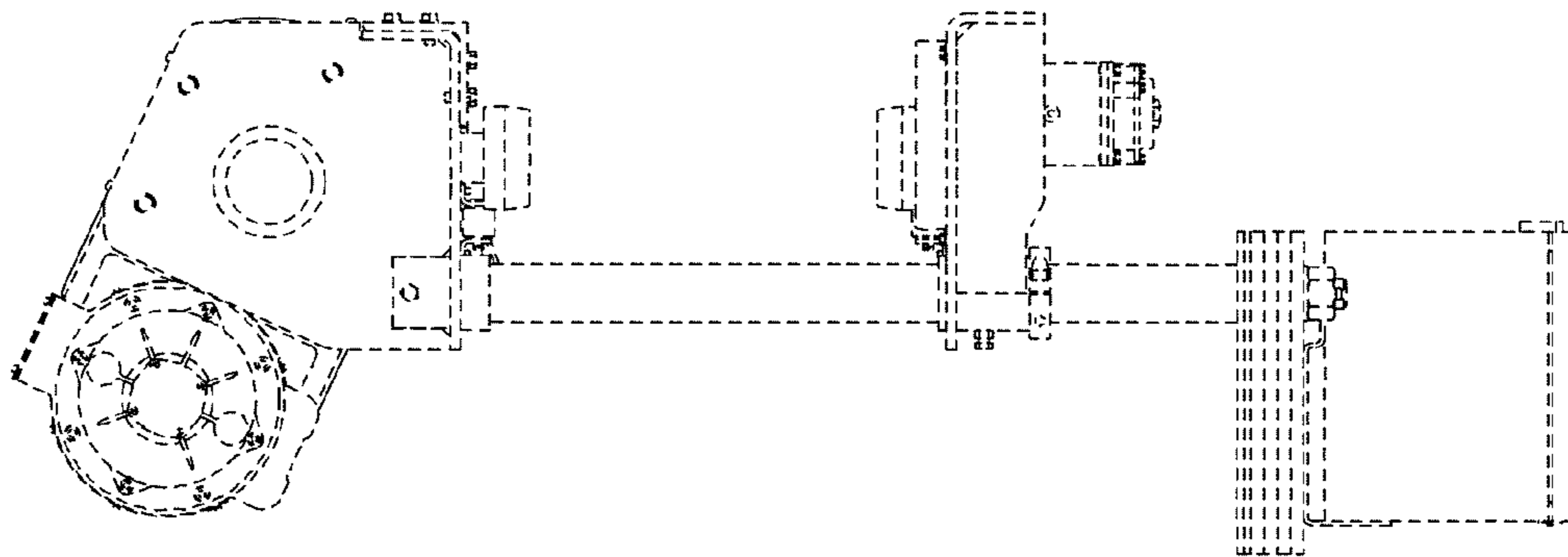


Fig.4

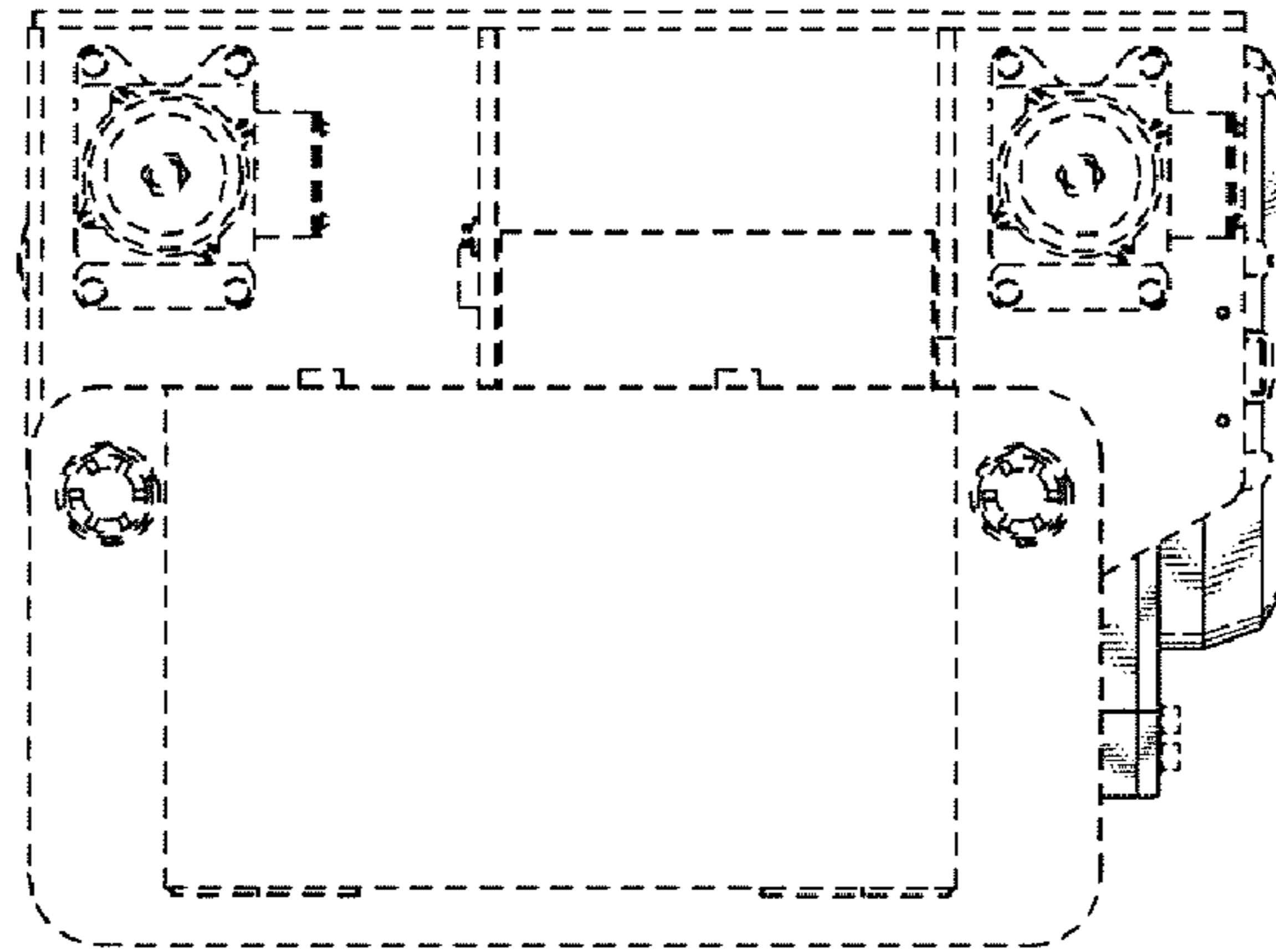


Fig.5

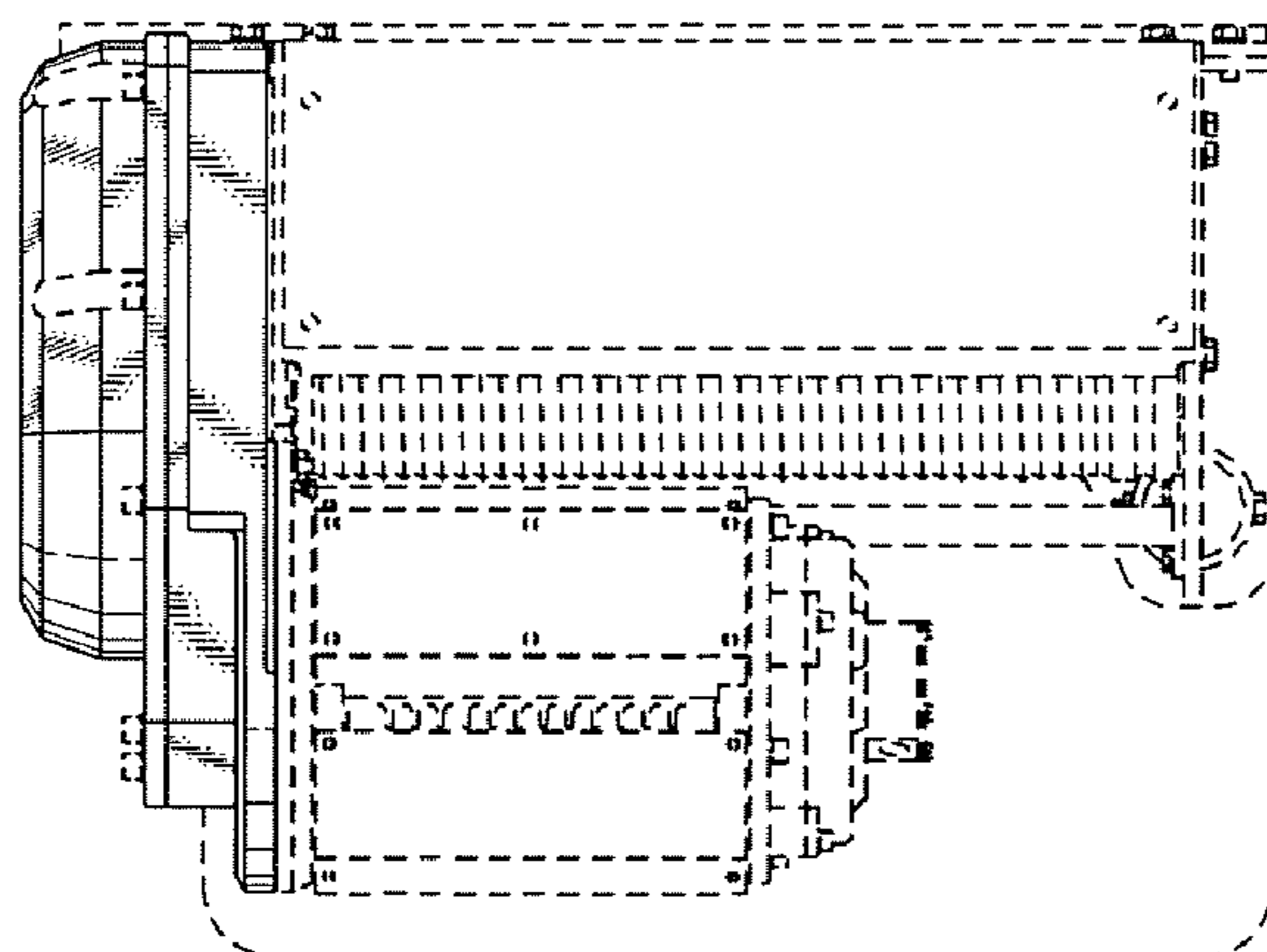


Fig.6

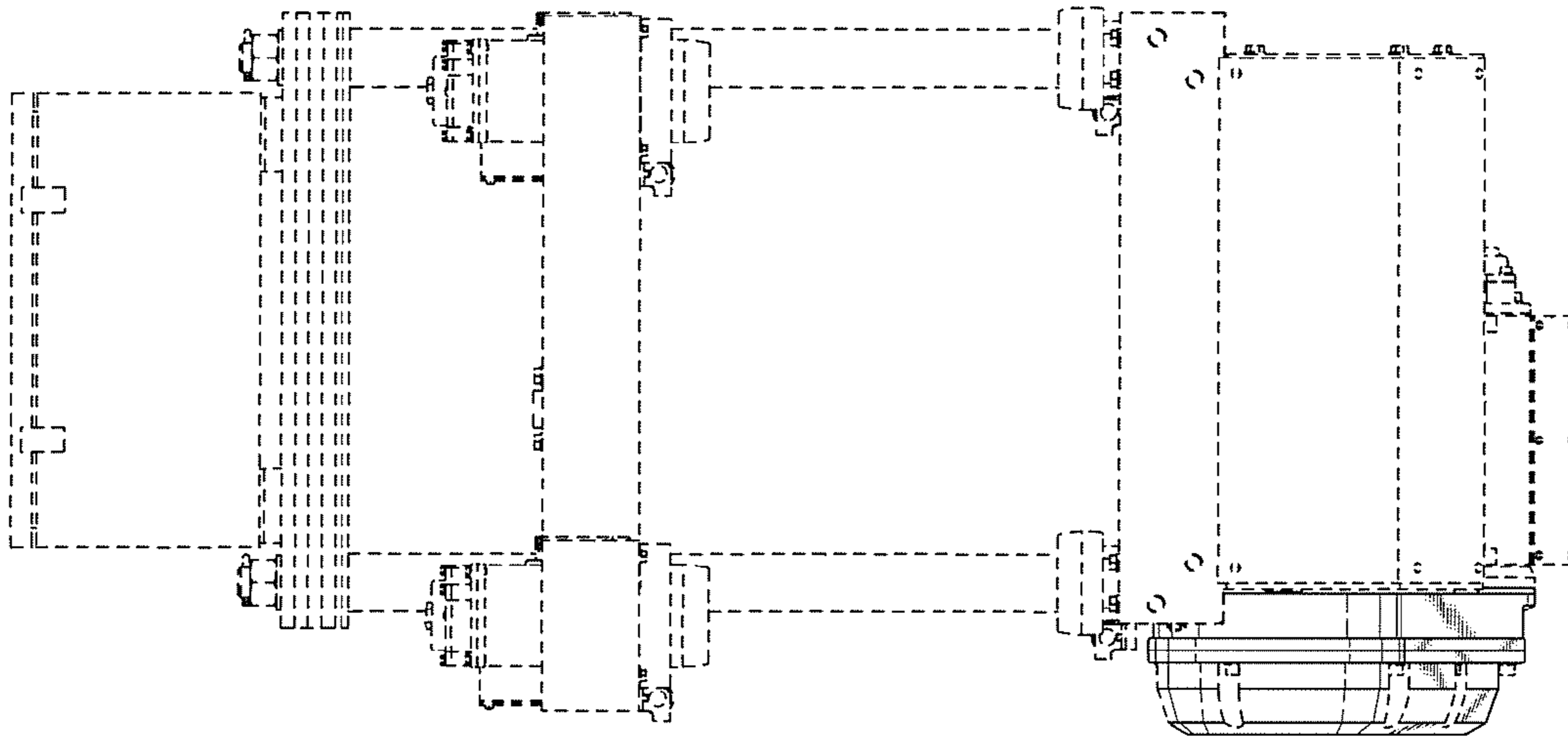


Fig.7

