



US00D636140S

(12) **United States Design Patent**
Cavanaugh

(10) **Patent No.:** **US D636,140 S**

(45) **Date of Patent:** **** Apr. 12, 2011**

(54) **DOLLY TO SUPPORT A MOTORCYCLE
KICK STAND**

(76) Inventor: **Thomas D. Cavanaugh**, Whitewater, WI
(US)

(**) Term: **14 Years**

(21) Appl. No.: **29/349,655**

(22) Filed: **Apr. 19, 2010**

(51) **LOC (9) Cl.** **12-02**

(52) **U.S. Cl.** **D34/23**

(58) **Field of Classification Search** D34/12-27;
280/79.11, 651, 43.13, 38, 47.34, 652, 43.17
See application file for complete search history.

(56) **References Cited**

U.S. PATENT DOCUMENTS

2,613,083	A *	10/1952	Moludy	280/42
2,627,425	A *	2/1953	McNamara	280/62
3,071,388	A *	1/1963	Ulinski	280/79.11
D204,752	S *	5/1966	Tveten	D34/18
D227,881	S *	7/1973	Fox	D34/18
4,350,470	A *	9/1982	Murillo	414/430
4,699,391	A *	10/1987	Syring	280/79.11
D321,578	S *	11/1991	Gilbert	D34/23
D386,129	S *	11/1997	Jantz	D12/106
D426,793	S *	6/2000	Lundh	D12/133
7,118,115	B2 *	10/2006	Abel	280/43.13
7,328,907	B1 *	2/2008	Bileth	280/79.11

7,494,137	B2 *	2/2009	Doak	280/62
7,506,405	B2 *	3/2009	Willis	16/47
7,543,830	B2 *	6/2009	Symiczek	280/79.11
2004/0032104	A1 *	2/2004	Savage	280/79.11
2005/0212243	A1 *	9/2005	Terry	280/79.11

* cited by examiner

Primary Examiner — Cynthia E Ramirez

(74) *Attorney, Agent, or Firm* — Mathew R. P. Perrone, Jr.;
Brie A. Crawford

(57) **CLAIM**

The ornamental design for a dolly to support a motorcycle kick stand, as shown and described.

DESCRIPTION

FIG. 1 is a perspective view of a dolly to support a motorcycle kick stand of my invention in use, with a motorcycle shown in phantom;

FIG. 2 is a front plan view of a dolly to support a motorcycle kick stand of my invention;

FIG. 3 is a rear plan view thereof, based on FIG. 2;

FIG. 4 is a top plan view thereof, based on FIG. 2;

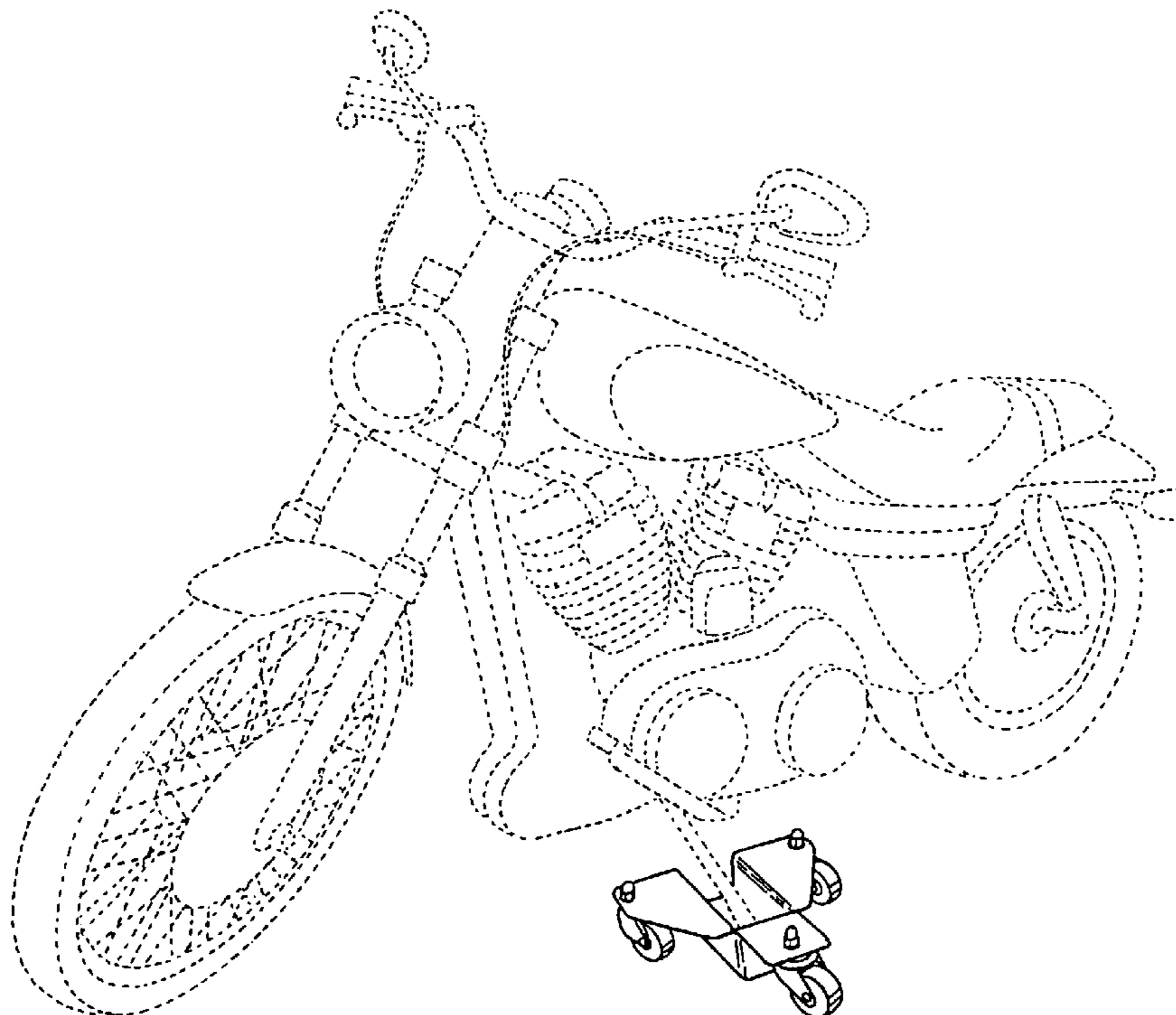
FIG. 5 is a bottom plan view thereof, based on FIG. 4;

FIG. 6 is a side view thereof, based on FIG. 2; and,

FIG. 7 is a side view thereof and a reverse view of FIG. 6.

The broken line showing of a motorcycle in FIG. 1 is included for the purpose of illustrating environment and forms no part of the claimed design.

1 Claim, 5 Drawing Sheets



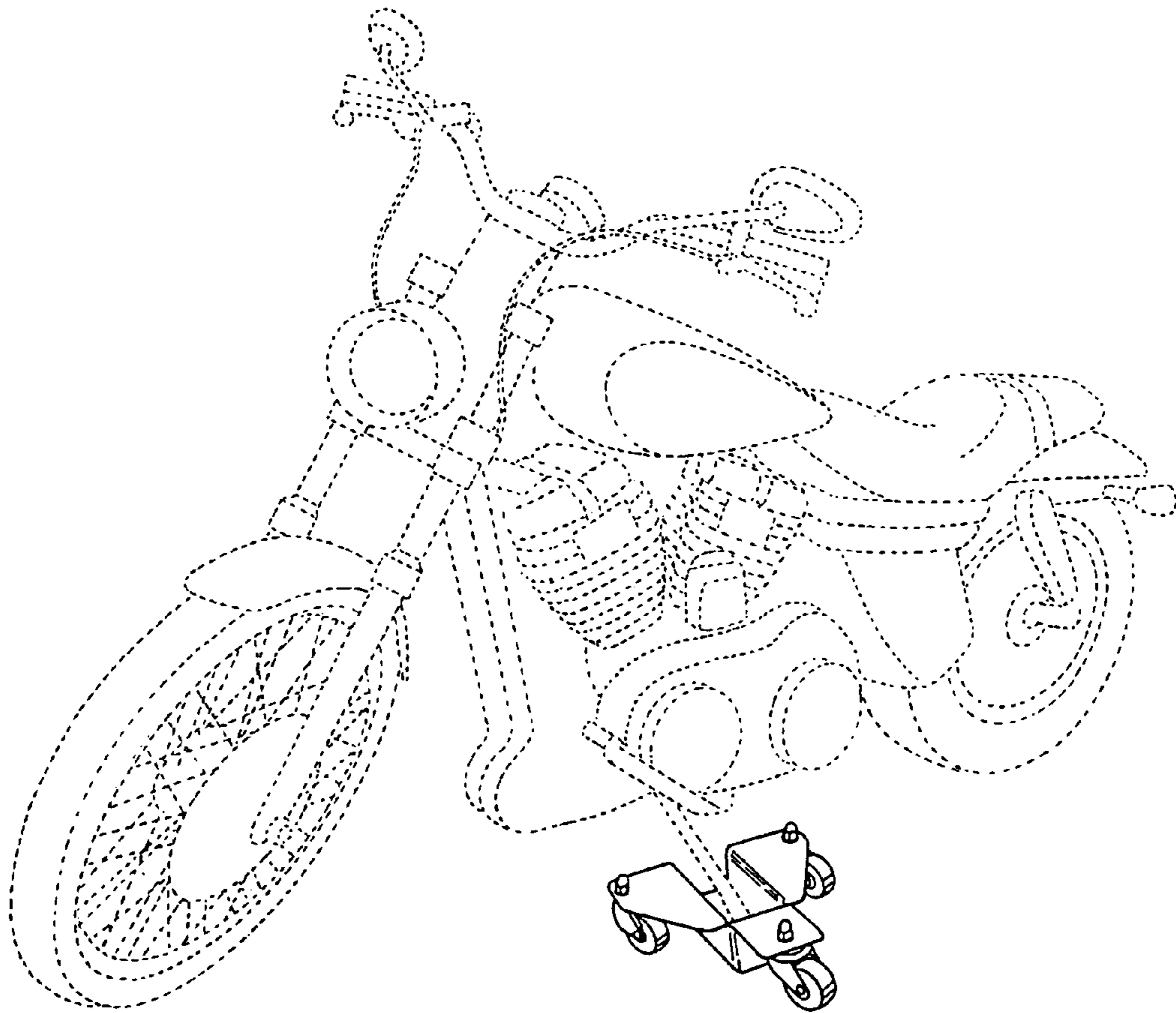


FIG. 1.

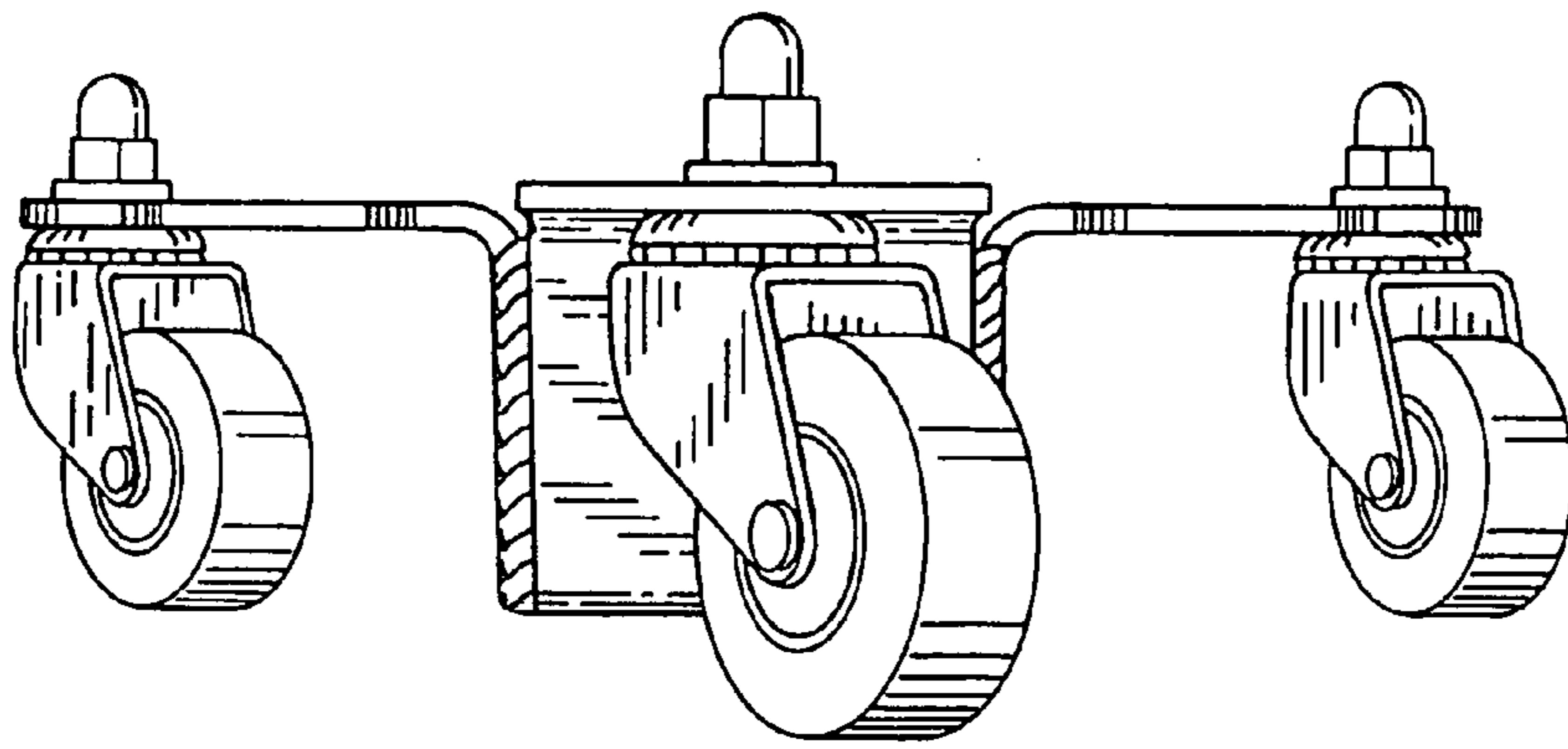


FIG. 2.

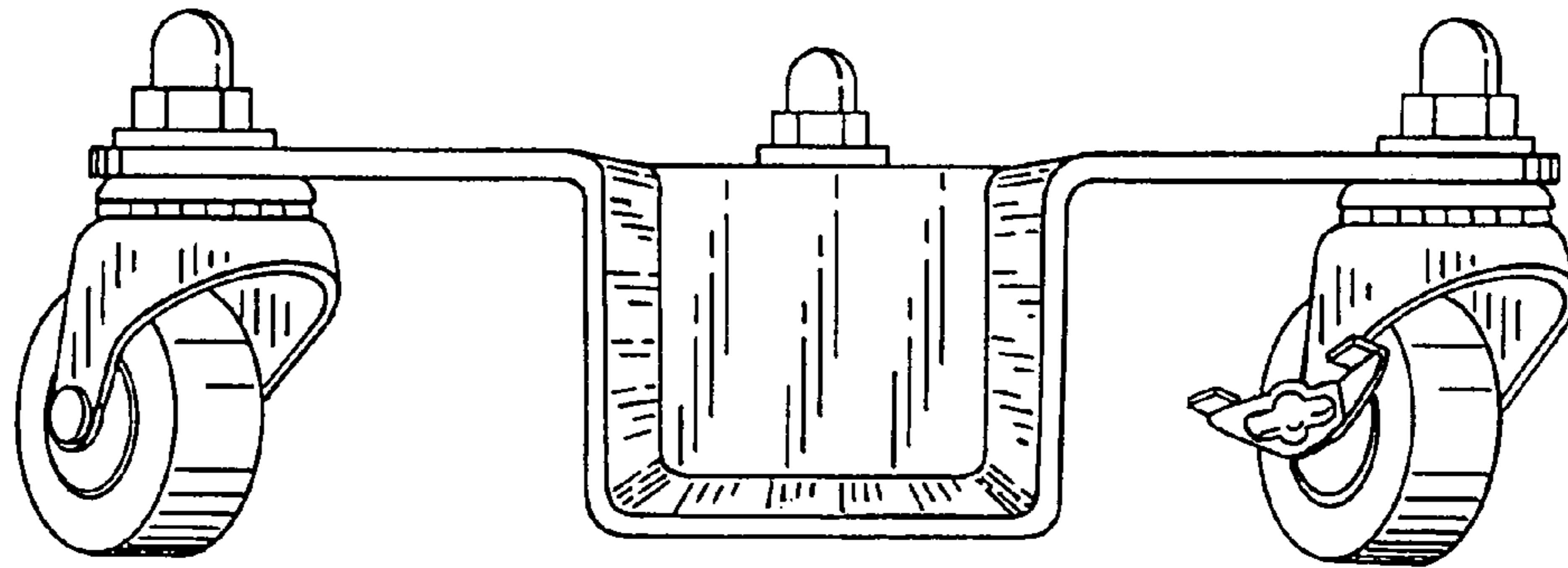
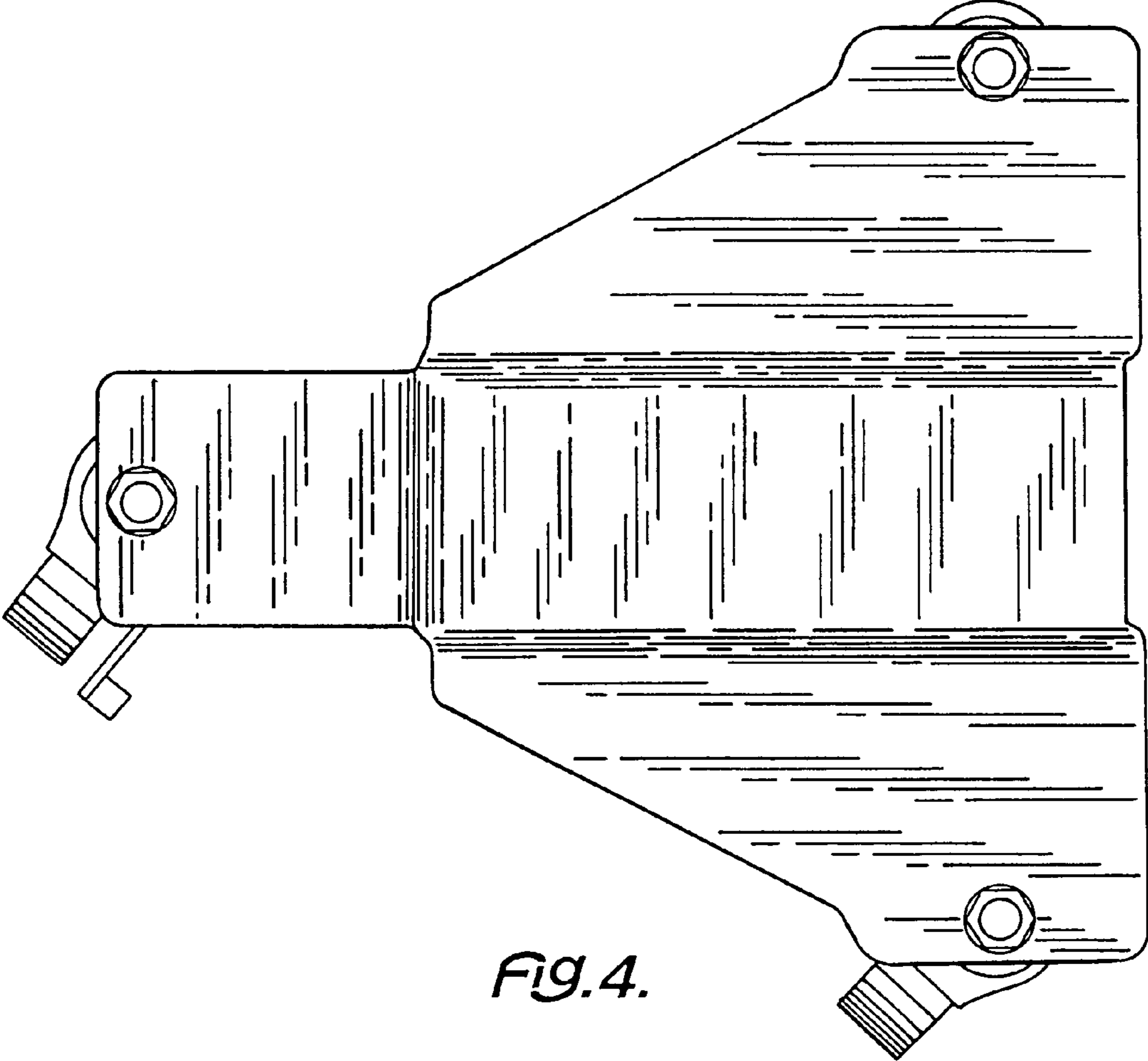


FIG. 3.



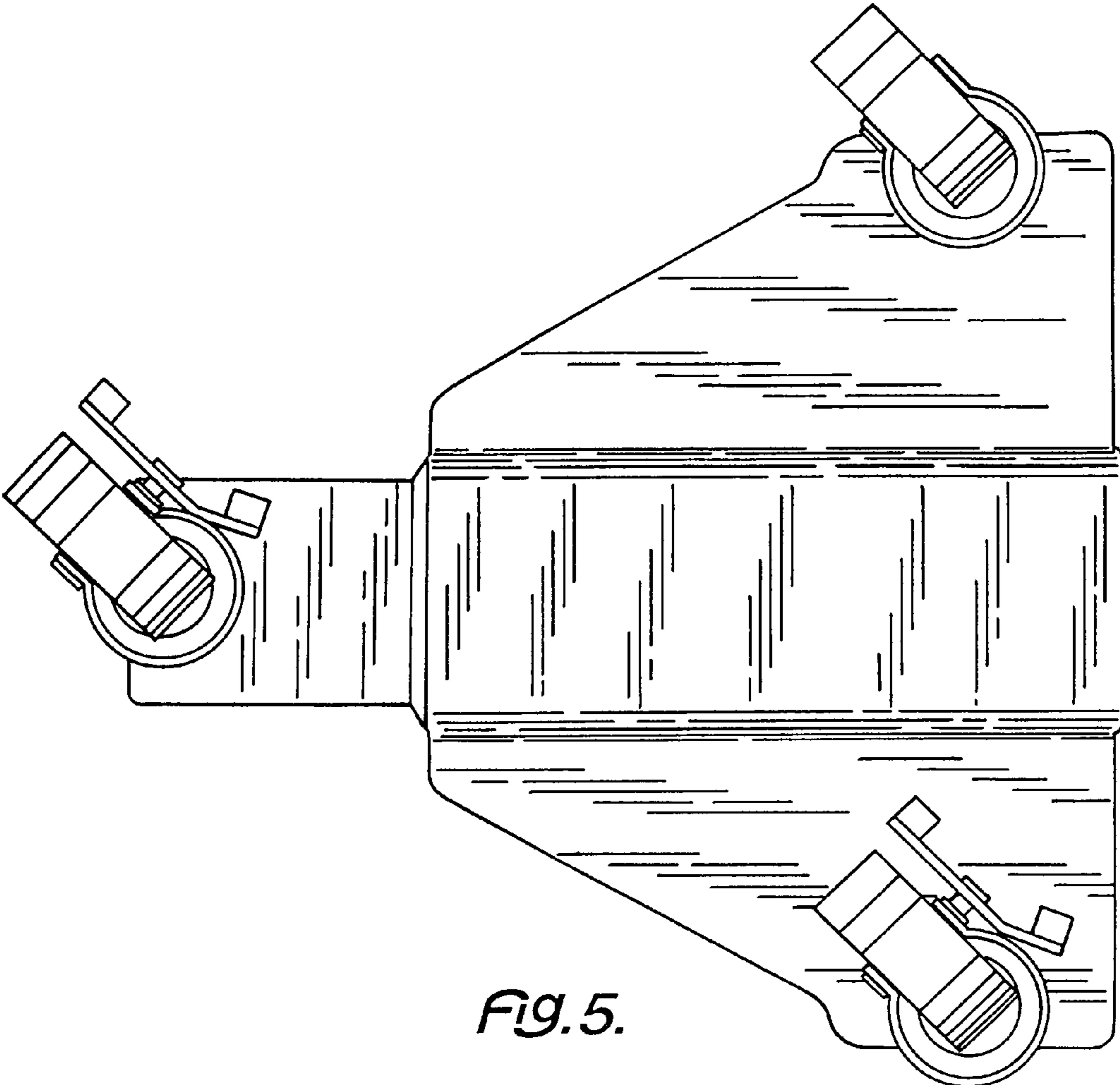


Fig. 5.

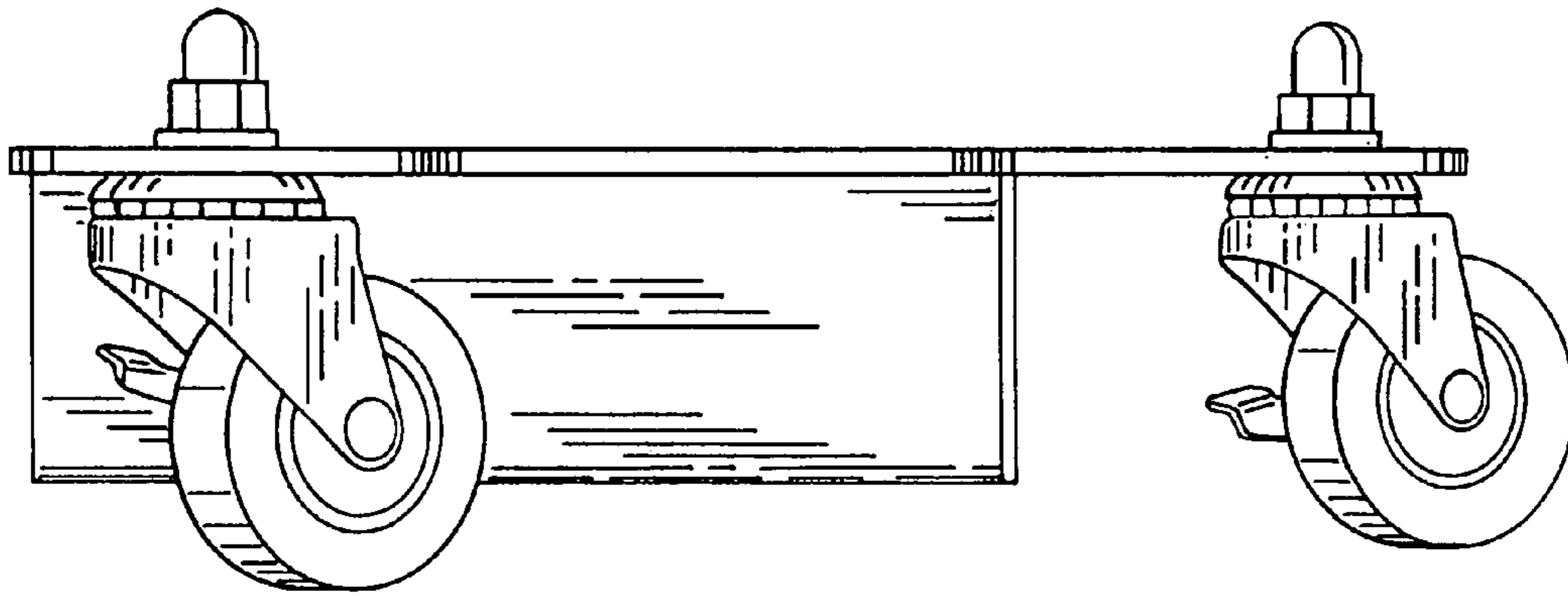


FIG. 6.

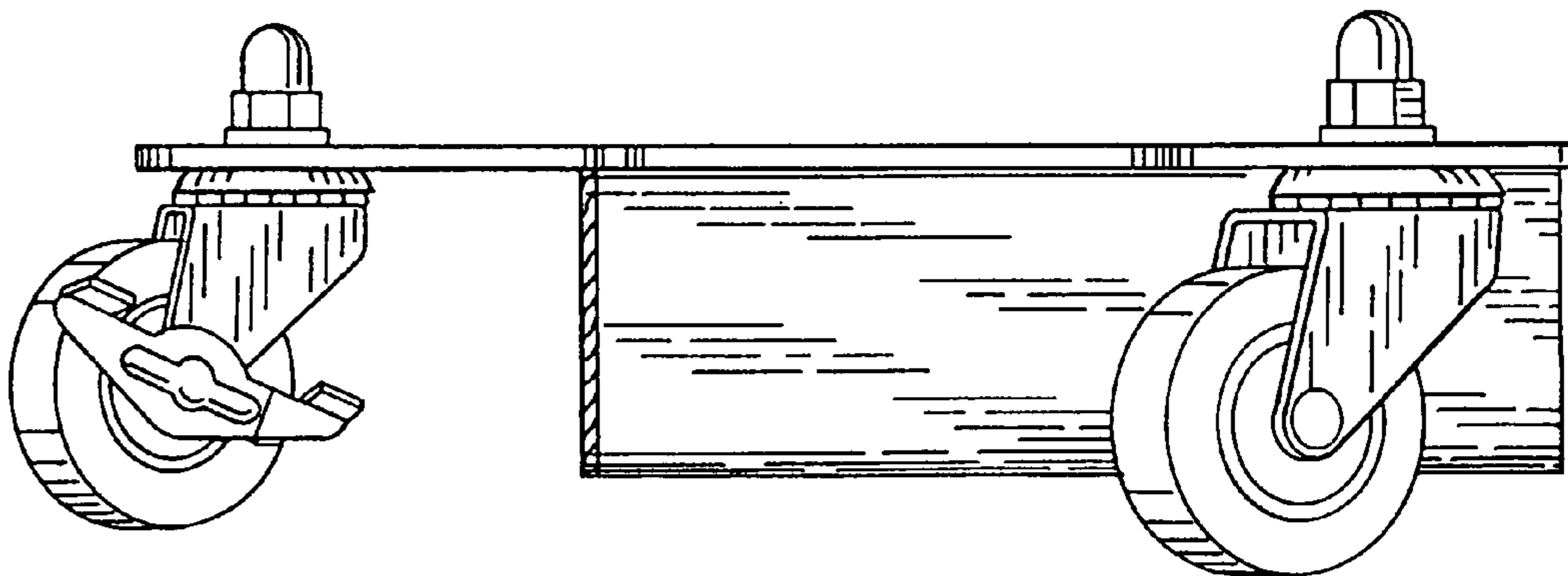


FIG. 7.