



US00D636139S

(12) **United States Design Patent**
Jones et al.

(10) **Patent No.:** **US D636,139 S**

(45) **Date of Patent:** **** Apr. 12, 2011**

- (54) **JUMBO DEBRIS PAN**
- (75) Inventors: **Donald Jones**, Greenville, NC (US);
Randy Cox, Greenville, NC (US);
Michael Jackson, Wooster, OH (US)
- (73) Assignee: **Harper Brush Works, Inc.**, Fairfield, IL (US)
- (**) Term: **14 Years**
- (21) Appl. No.: **29/354,170**
- (22) Filed: **Jan. 20, 2010**
- (51) **LOC (9) Cl.** **07-05**
- (52) **U.S. Cl.** **D32/74**
- (58) **Field of Classification Search** D32/74,
D32/41; D30/162; D7/691, 688; D4/116;
15/257.5, 257.3, 257.2, 257.1; 134/6
See application file for complete search history.

4,357,727 A	11/1982	McDowell
4,498,207 A	2/1985	Rosendall
4,509,226 A	4/1985	Allison et al.
4,562,611 A	1/1986	Martinen
4,631,774 A	12/1986	Kania
4,686,734 A	8/1987	Kahan
4,709,440 A	12/1987	Conelly
4,795,046 A	1/1989	Rath
4,815,604 A	3/1989	O'Neil et al.
4,823,422 A	4/1989	Yoshimura et al.
4,878,261 A	11/1989	Rosendall
5,012,542 A	5/1991	Lynn
5,020,185 A	6/1991	Hoefler
D342,358 S *	12/1993	Castro et al. D32/74
5,325,565 A	7/1994	Suzuki
5,343,589 A	9/1994	Davenport
5,412,835 A	5/1995	Vosbikian et al.
5,457,844 A	10/1995	Hanna et al.

(Continued)

Primary Examiner — Austin Murphy
(74) *Attorney, Agent, or Firm* — Husch Blackwell LLP

(57) **CLAIM**
The ornamental design for a jumbo debris pan, as shown and described.

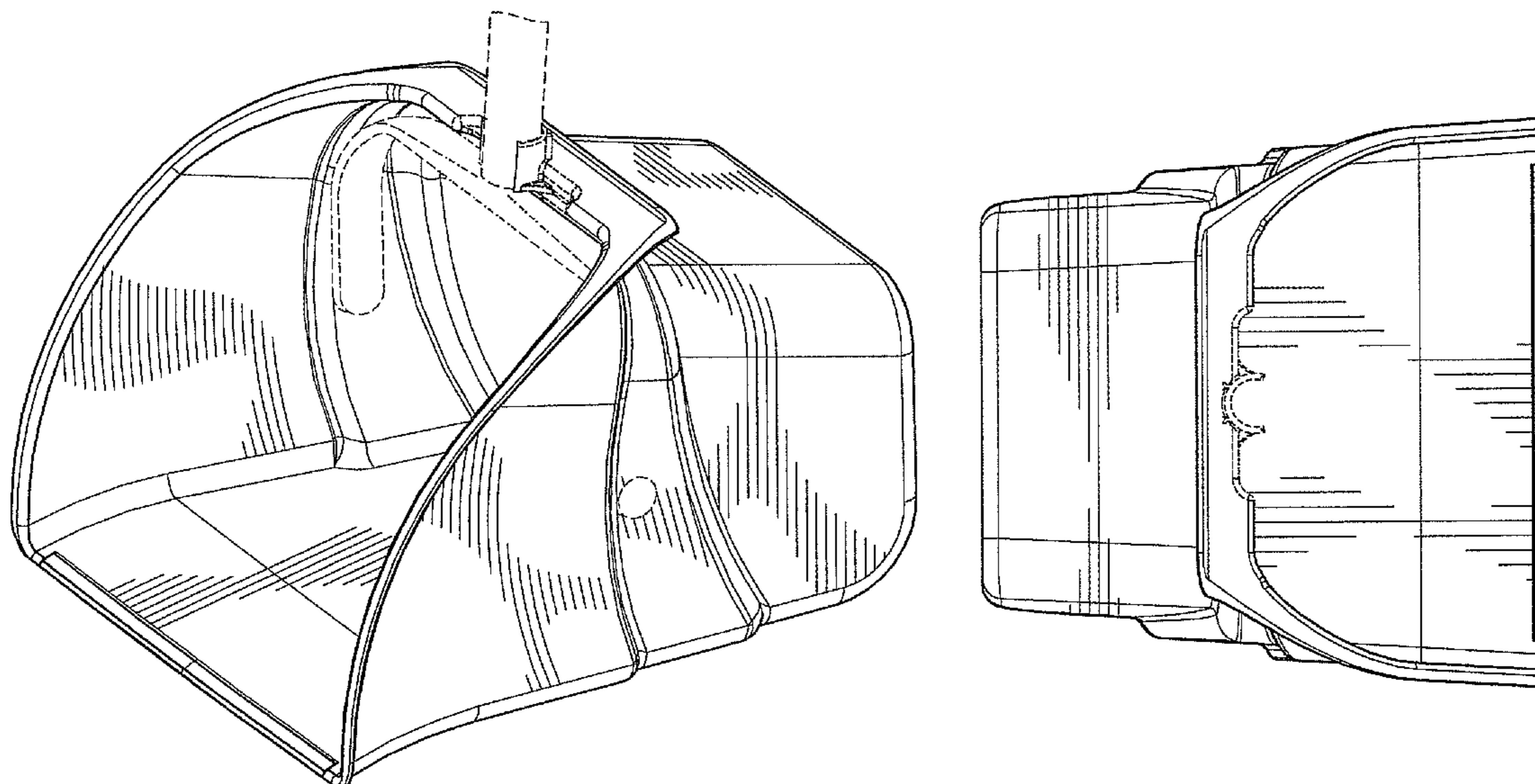
(56) **References Cited**
U.S. PATENT DOCUMENTS

956,968 A	5/1910	Hubert
978,724 A	12/1910	Folsom et al.
1,082,128 A	12/1913	Low
1,135,519 A	4/1915	Haldenwang
1,484,725 A	2/1924	Lewis
1,605,534 A	11/1926	Dupre
1,645,806 A	10/1927	Fries
2,176,135 A	10/1939	Horst
2,263,177 A	11/1941	Lewis
2,277,383 A	3/1942	Bowers
2,399,850 A	5/1946	Benskin
2,651,924 A	9/1953	Lawrence
3,861,730 A	1/1975	Ringo
3,971,095 A	7/1976	Fish, Sr.
4,050,110 A	9/1977	Donnelly
4,084,283 A	4/1978	Rosendall
4,124,913 A	11/1978	Rosendall
4,193,624 A	3/1980	Kerr
4,325,156 A	4/1982	Rosendall

DESCRIPTION

FIG. 1 is a perspective view of the jumbo debris pan of the subject invention.
FIG. 2 is a rear view of the jumbo debris pan of FIG. 1.
FIG. 3 is a bottom view of the jumbo debris pan of FIG. 1.
FIG. 4 is a top side view of the jumbo debris pan of FIG. 1.
FIG. 5 is a front side view of the jumbo debris pan of FIG. 1.
FIG. 6 is a left side view of the jumbo debris pan of FIG. 1; and,
FIG. 7 is a right side view of the jumbo debris pan of FIG. 1.
The broken line showing of FIGS. 1, 2, 4, 5, 6 and 7 is for the purpose of illustrating environment and forms no part of the claimed design.

1 Claim, 4 Drawing Sheets



US D636,139 S

Page 2

U.S. PATENT DOCUMENTS

5,715,564	A	2/1998	Knouse		
D393,120	S	3/1998	Leonard et al.		
5,826,297	A *	10/1998	Footer et al.	15/257.2	
D402,780	S	12/1998	Alt		
6,023,812	A	2/2000	Morad		
D441,933	S	5/2001	Savage et al.		
6,233,781	B1 *	5/2001	Savage	15/257.4	
6,282,745	B1	9/2001	Alt		
D449,911	S *	10/2001	Goodman	D32/74	
D461,610	S *	8/2002	Perelli	D32/74	
D463,642	S	9/2002	Morad		
D468,879	S	1/2003	Perelli		
D484,659	S *	12/2003	Perelli et al.	D32/74	
6,679,948	B2	1/2004	Mead		
6,732,402	B1	5/2004	Hsu		
D493,265	S *	7/2004	Libman et al.	D32/74	
D509,035	S *	8/2005	Libman et al.	D32/74	
D545,022	S	6/2007	Morad		
D551,820	S	9/2007	Morad		
D586,519	S	2/2009	Casteel et al.		
7,509,705	B1	3/2009	Morad et al.		
D594,618	S *	6/2009	ekercio lu	D32/74	
D599,073	S *	8/2009	Caleca	D32/74	
D601,769	S	10/2009	Cox et al.		
7,736,008	B2 *	6/2010	Quattrini, Jr.	362/91	

* cited by examiner

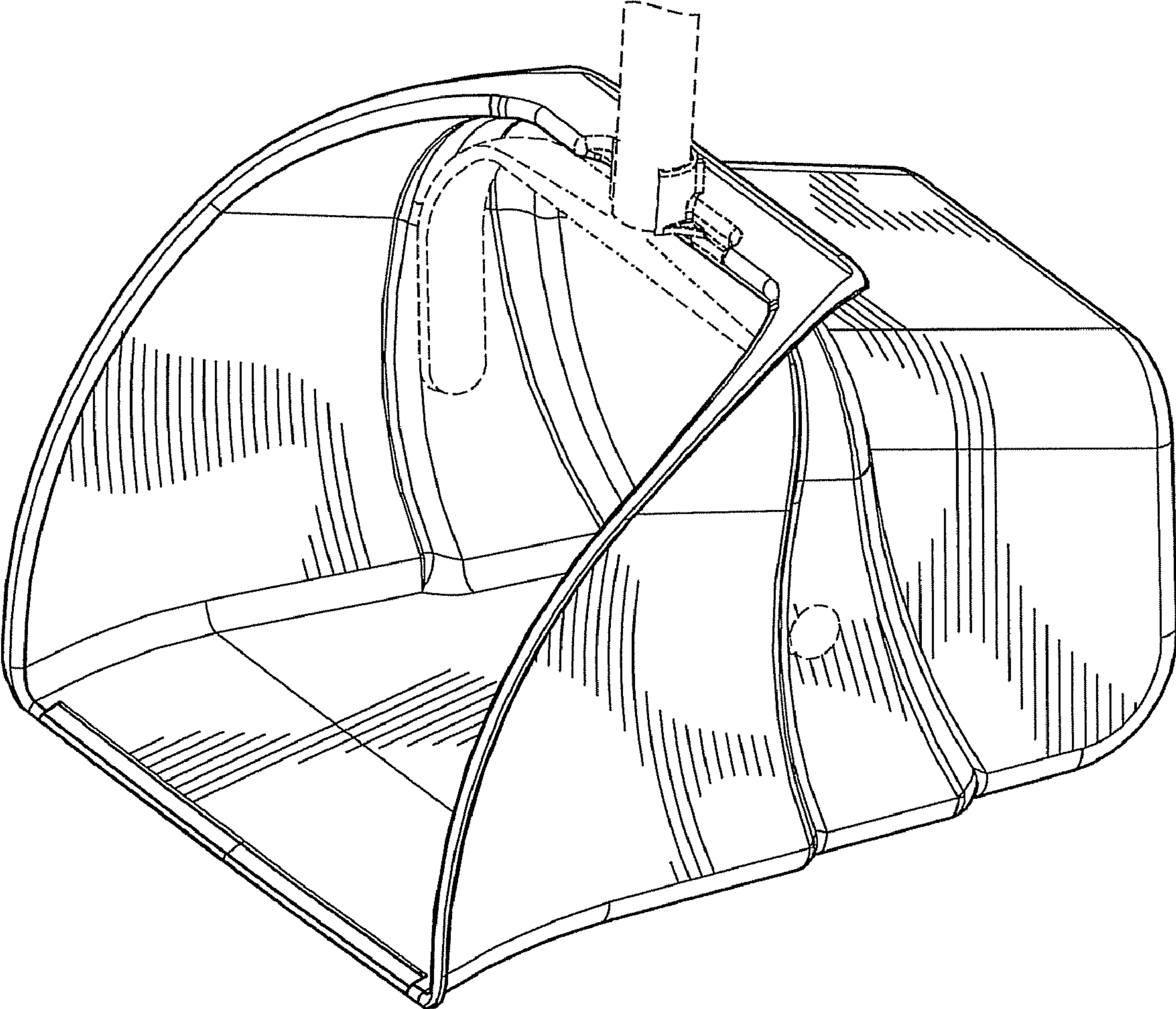


FIG. 1

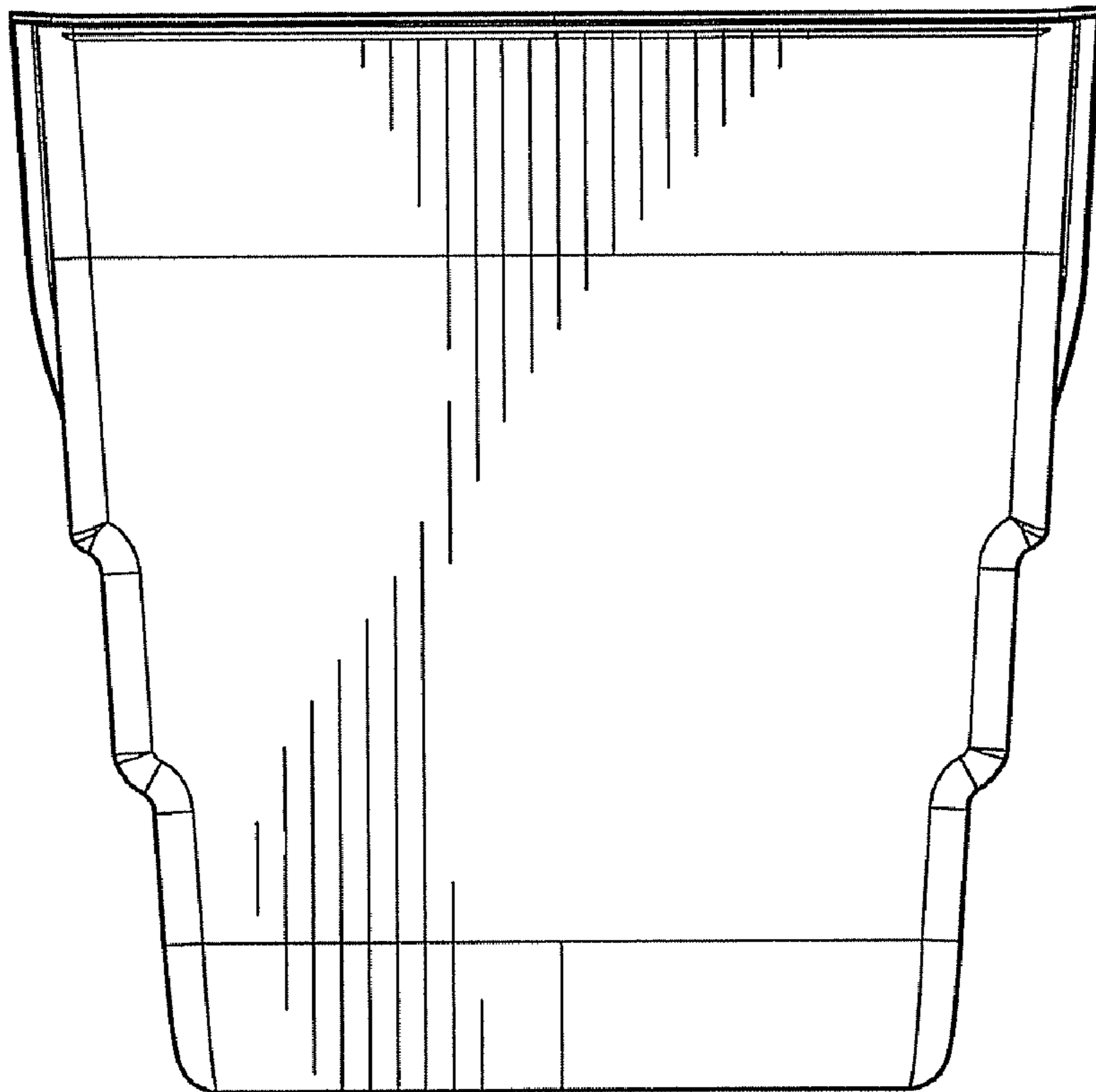


FIG. 3

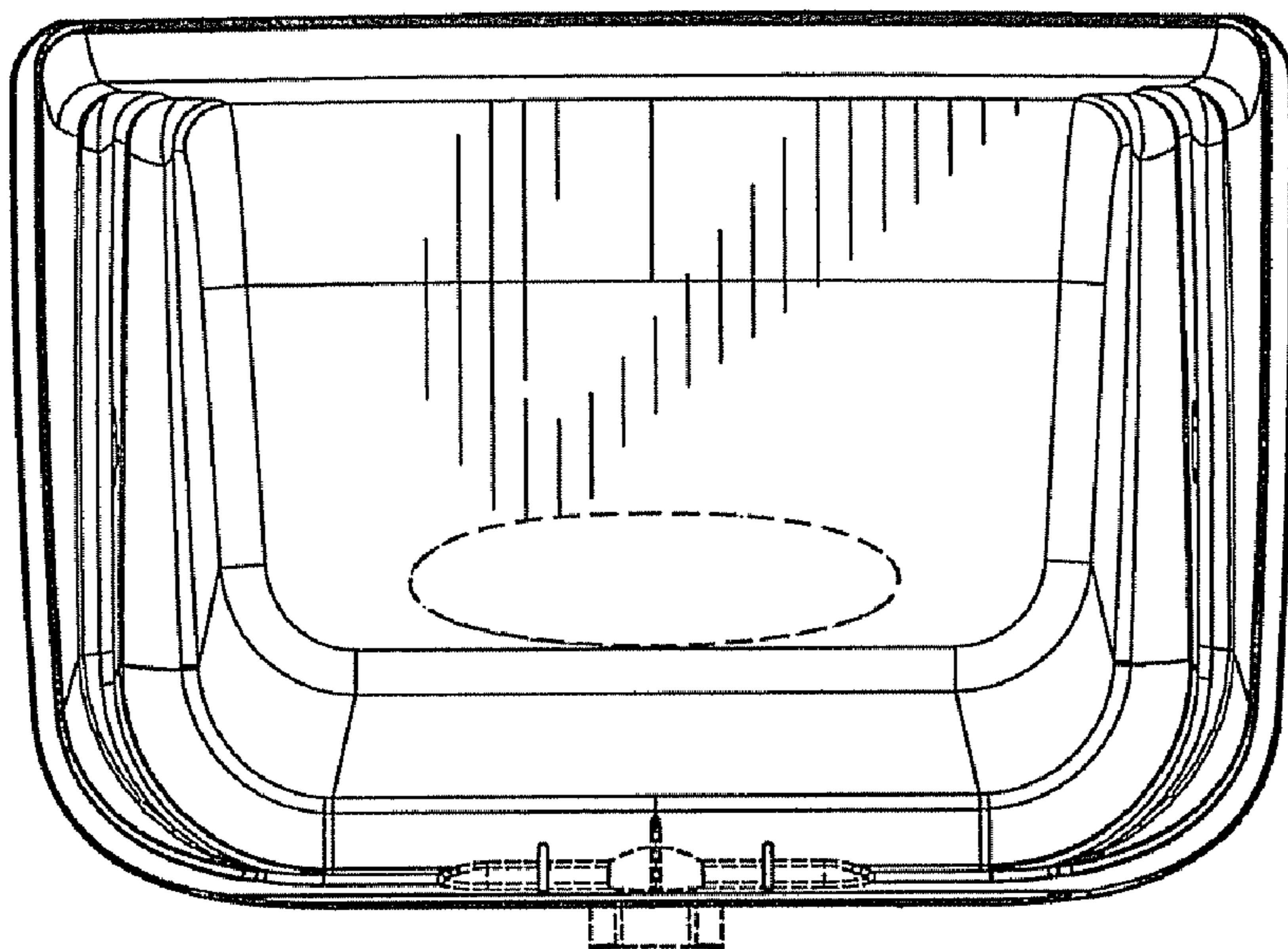


FIG. 2

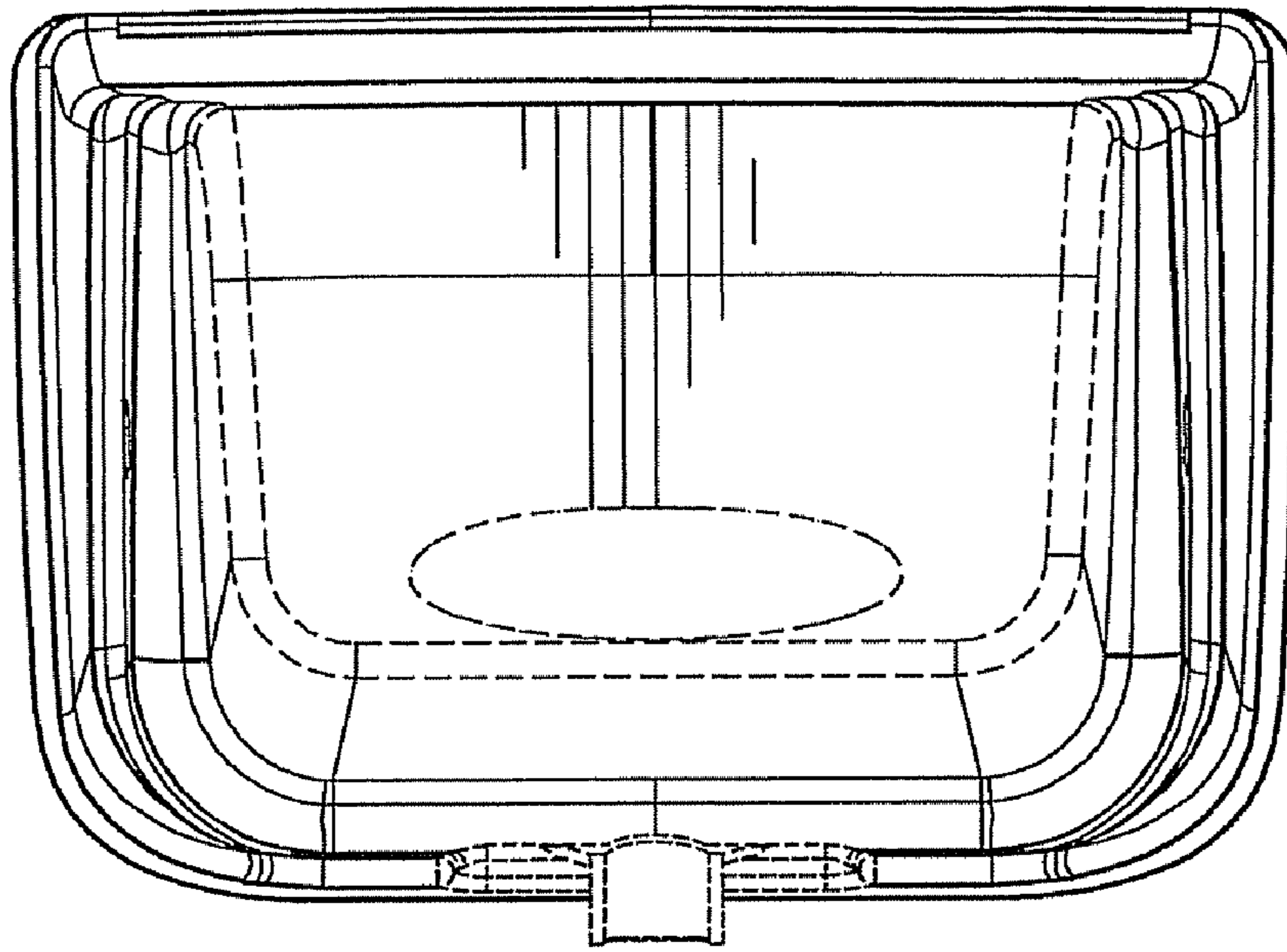


FIG. 5

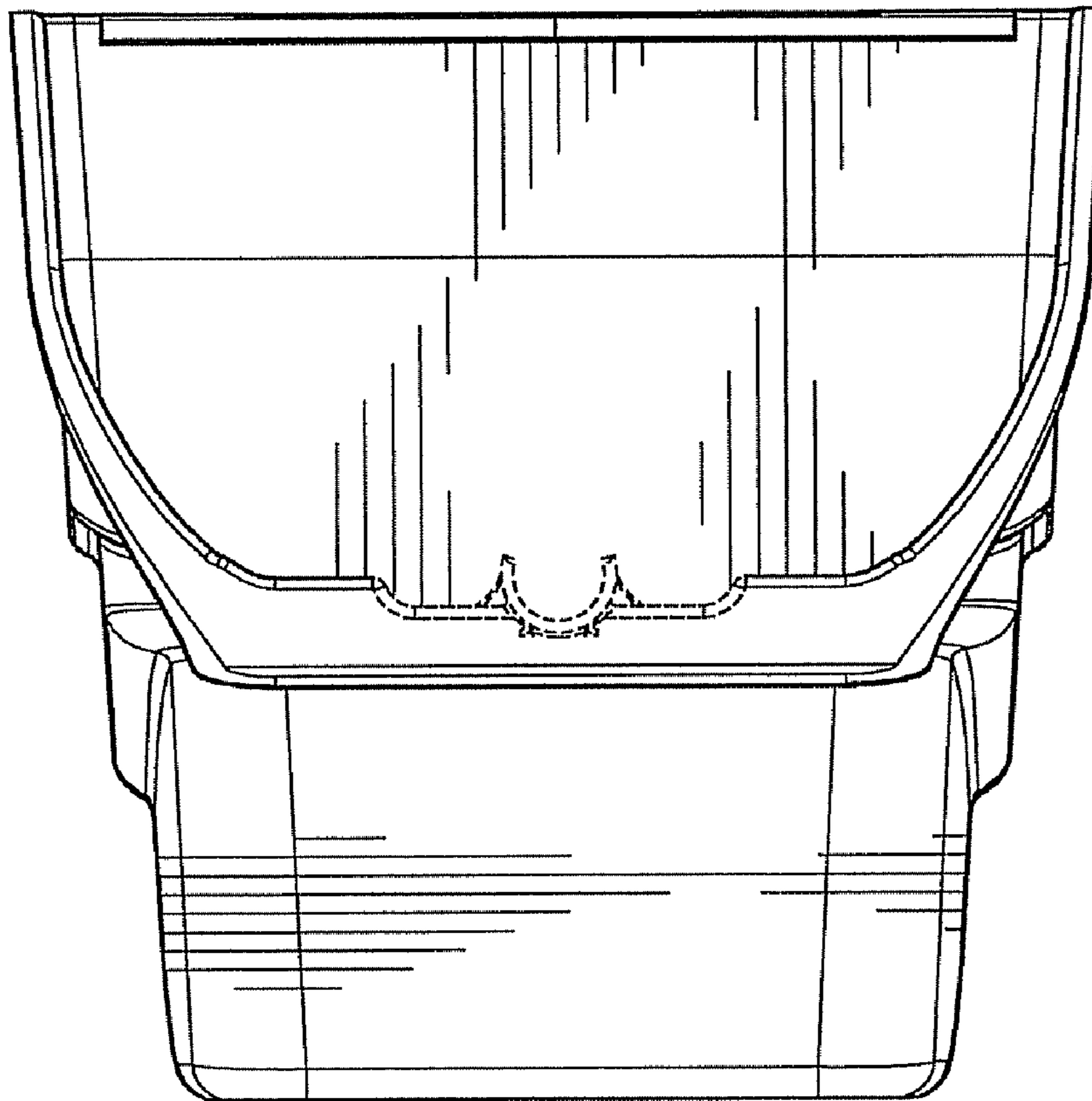


FIG. 4

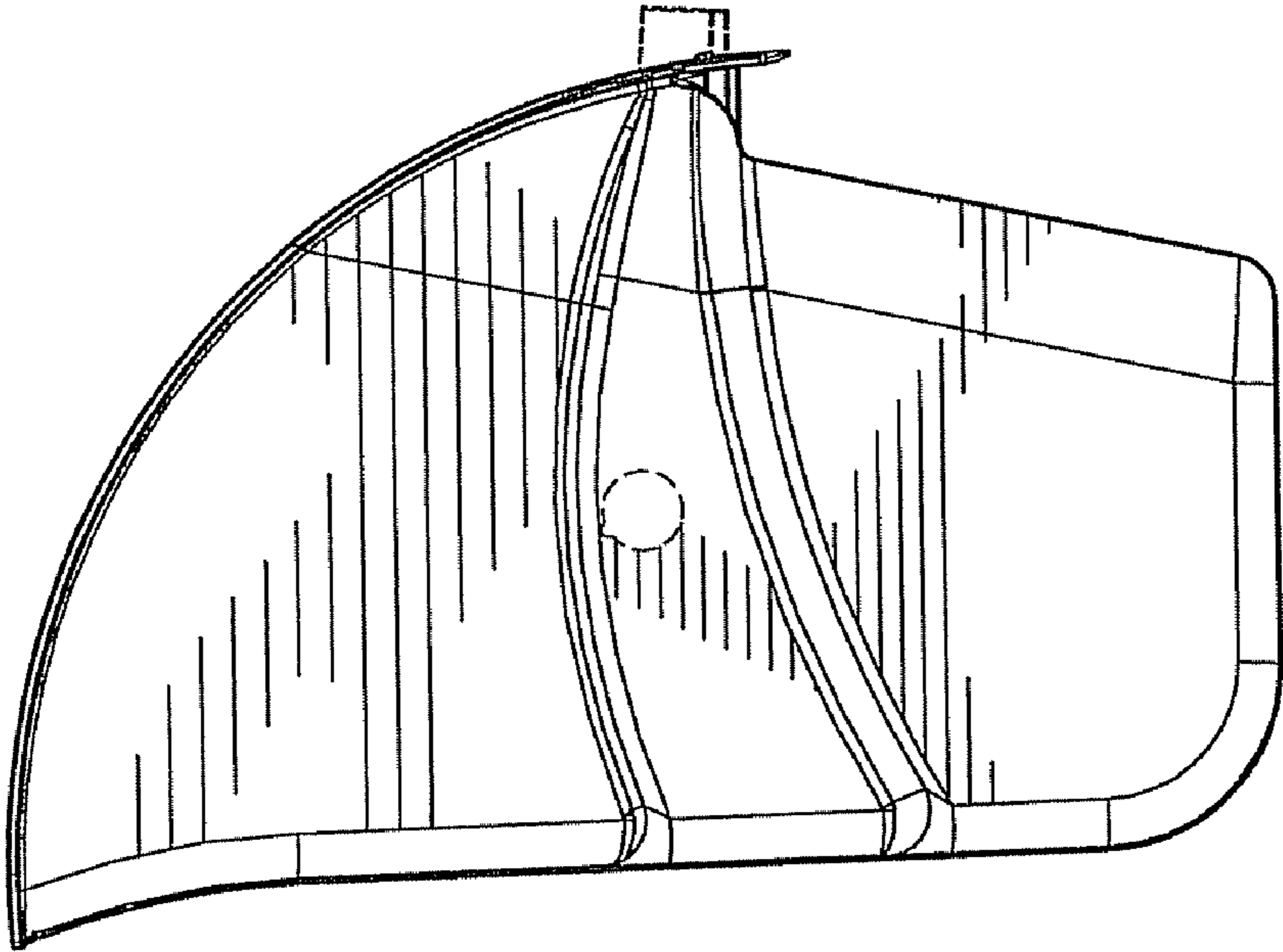


FIG. 7

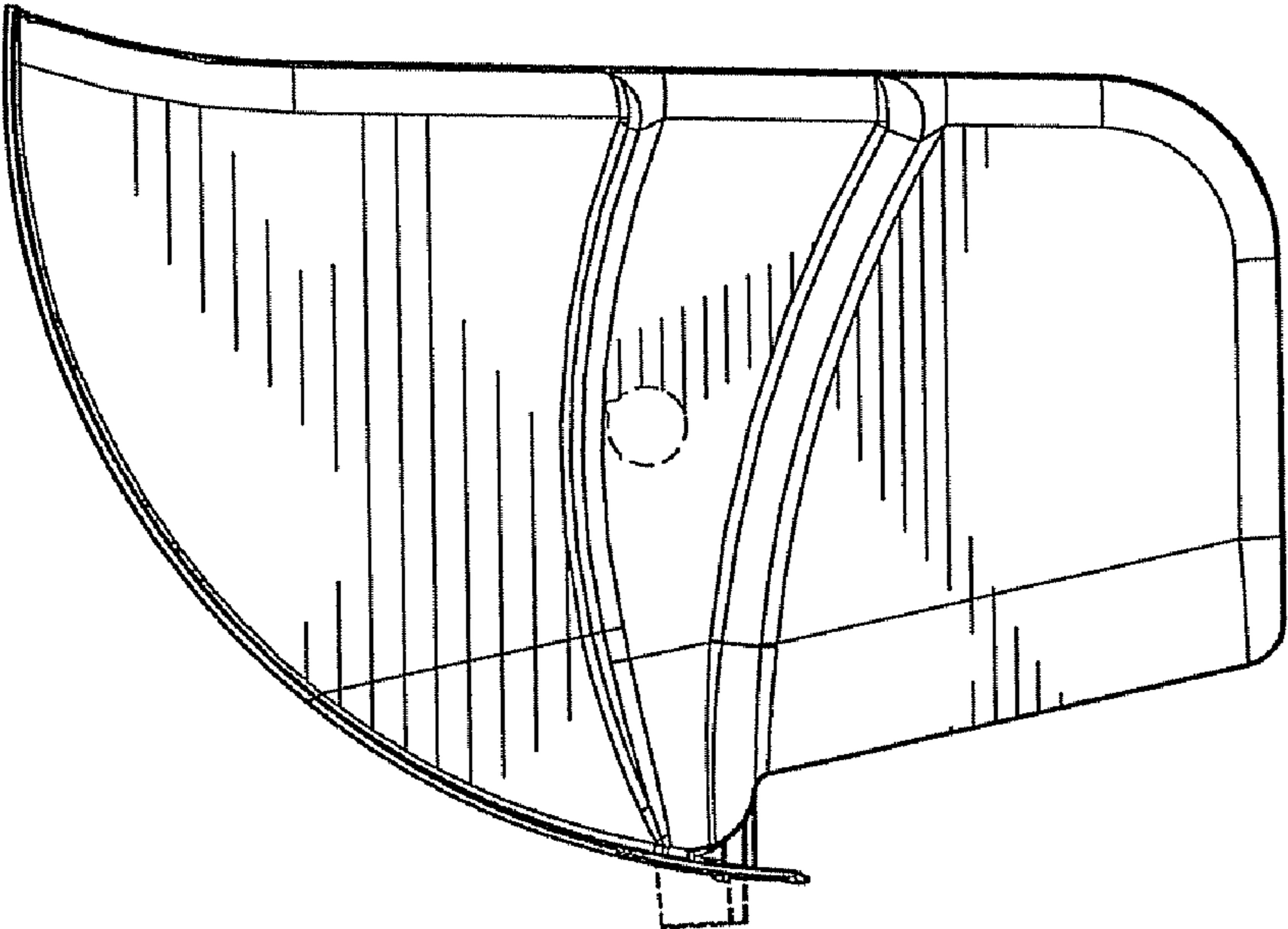


FIG. 6