



US00D636138S

(12) **United States Design Patent**
Talerico

(10) **Patent No.:** **US D636,138 S**
(45) **Date of Patent:** **** Apr. 12, 2011**

(54) **SINK ATTACHMENT DEVICE**
(75) Inventor: **James E. Talerico**, Palos Park, IL (US)
(73) Assignee: **Talerico Corporation**, Palos Park, IL (US)

D100,785 S 8/1936 Lance
2,116,833 A 5/1938 Jenks
D143,517 S * 1/1946 Whitlock D32/56
2,501,829 A 3/1950 Rugh
2,521,389 A 9/1950 McClure
2,590,793 A 3/1952 Rigstad
(Continued)

(**) Term: **14 Years**
(21) Appl. No.: **29/298,221**

FOREIGN PATENT DOCUMENTS
GB 193998 3/1923
(Continued)

(22) Filed: **Nov. 30, 2007**
(51) **LOC (9) Cl.** **07-05**
(52) **U.S. Cl.** **D32/56; D23/308**
(58) **Field of Classification Search** D32/53,
D32/53.1, 55, 56, 58, 67; D23/267, 284,
D23/287, 303-311; 4/625, 626, 630, 631,
4/635-636, 637, 638, 643, 645, 656, 657,
4/661

OTHER PUBLICATIONS
“Hard-to-Find Tools”—Brookstone Company, mail order catalog, 17 Riverside Street, Nashua, NH 03062—p. 43, the “Study, Space-Saving Work Table Folds Against the Wall When Not Needed,” on or before Jul. 21, 1999.
(Continued)

See application file for complete search history.

Primary Examiner — Rosemary K Tarcza
(74) *Attorney, Agent, or Firm* — K&L Gates LLP

(56) **References Cited**

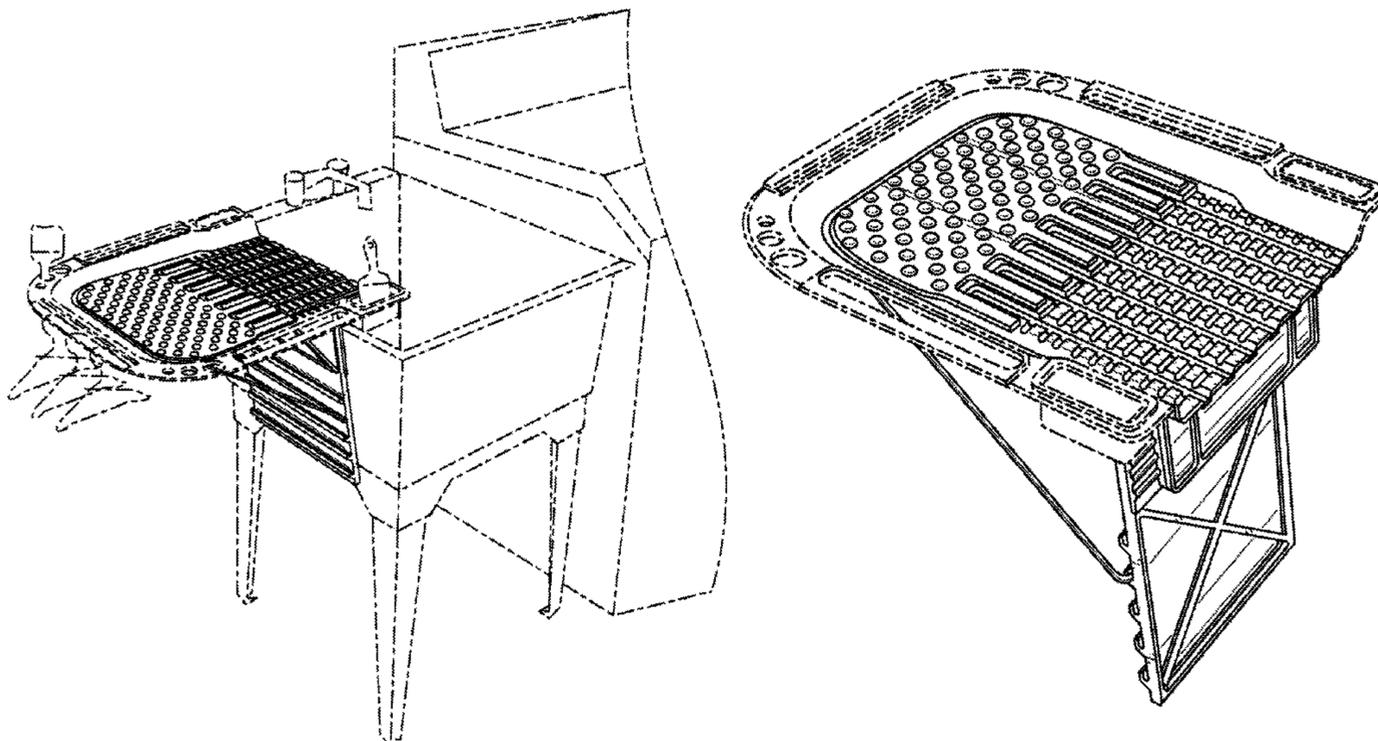
| U.S. PATENT DOCUMENTS | | |
|-----------------------|---------|-----------------|
| 193,998 A | 8/1877 | Reynolds |
| 432,956 A | 7/1890 | Squire |
| 794,388 A | 7/1905 | Beauchemin |
| 834,405 A | 10/1906 | Randall |
| 994,855 A | 6/1911 | Mali |
| 1,046,604 A | 12/1912 | Kensit |
| 1,170,277 A | 2/1916 | Kluge |
| 1,224,838 A | 5/1917 | Blissman et al. |
| 1,287,894 A | 12/1918 | Cox |
| 1,309,965 A | 7/1919 | Schwab |
| 1,349,771 A | 8/1920 | Kline |
| 1,535,928 A | 4/1925 | Loudon |
| 1,571,753 A | 2/1926 | Christian |
| 1,628,746 A | 5/1927 | Russel |
| 1,643,906 A | 9/1927 | Russel |
| 1,709,545 A | 4/1929 | Sheppard |
| 1,718,231 A | 6/1929 | Griffiths |
| 1,728,502 A | 9/1929 | McGregor |
| 1,982,117 A | 11/1934 | Murie |

(57) **CLAIM**
The ornamental design for a sink attachment device, as shown and described herein.

DESCRIPTION

FIG. 1 is a perspective view of a sink attachment device. FIG. 2 is a perspective view of a sink attachment device. FIG. 3 is a perspective view of a sink attachment device. FIG. 4 is a perspective view of a sink attachment device. FIG. 5 is a perspective view of a sink attachment device. FIG. 6 is a perspective view of a sink attachment device; and, FIG. 7 is a perspective view of a sink attachment device. The broken lines shown in the drawings are included for the purpose of illustrating environmental structure and form no part of the claimed design.

1 Claim, 7 Drawing Sheets



US D636,138 S

Page 2

U.S. PATENT DOCUMENTS

2,633,399 A 3/1953 Haas
2,743,960 A 5/1956 Kamin
2,910,207 A * 10/1959 Andrew 220/488
D196,169 S * 9/1963 Steinberg D32/56
3,353,558 A 11/1967 Hobolth
3,539,106 A 11/1970 Ramik
3,722,800 A 3/1973 Shames et al.
3,731,325 A 5/1973 Guarrasi
4,170,240 A 10/1979 Gentry
D253,787 S 12/1979 Kinsey
D254,529 S * 3/1980 Arnoff D7/667
4,316,296 A 2/1982 Lubin
D271,339 S * 11/1983 Lee D32/55
4,531,641 A 7/1985 Archanbault
D292,134 S * 9/1987 McDaniel, Sr. D32/56
4,722,103 A 2/1988 Kliebert
4,744,379 A 5/1988 Goettel
D298,163 S * 10/1988 Downs D23/287
D302,614 S * 8/1989 Beatty D32/53.1
D319,870 S * 9/1991 Gocke et al. D23/287
D322,842 S * 12/1991 Jung et al. D23/287
5,105,485 A 4/1992 Sciabarassi
D328,125 S 7/1992 Bae
D342,121 S 12/1993 Lim
5,313,676 A 5/1994 Wright
D350,035 S 8/1994 Stacey

D364,018 S * 11/1995 Brightbill et al. D32/55
D374,068 S 9/1996 Segenschmid
5,813,063 A 9/1998 Watkins et al.
D401,678 S 11/1998 Scheel et al.
5,904,162 A 5/1999 Ferguson et al.
D421,490 S * 3/2000 Talerico D23/308
D444,604 S * 7/2001 Hoffert et al. D32/53.1
D504,000 S * 4/2005 Underbrink et al. D34/21
D517,668 S * 3/2006 Illert et al. D23/287
D520,611 S * 5/2006 Wozniczka et al. D23/287
D550,336 S * 9/2007 Hurt D23/287
D585,125 S * 1/2009 Ziemann D23/290
D586,518 S * 2/2009 Moon D32/53.1
D601,768 S * 10/2009 Moon D32/53.1

FOREIGN PATENT DOCUMENTS

GB 432956 8/1935
GB 601930 5/1948

OTHER PUBLICATIONS

KTI Attaching Drainboard for Utility sink 24x24 DB-2424 [online]
[retrieved on Feb. 15, 2007], Retrieved from the Internet <URL:
<http://www.acitydiscount.com/KTI-Attaching-Drainboard-for-Utility-sink24x24-DB-2424.0.1882...>>.

* cited by examiner

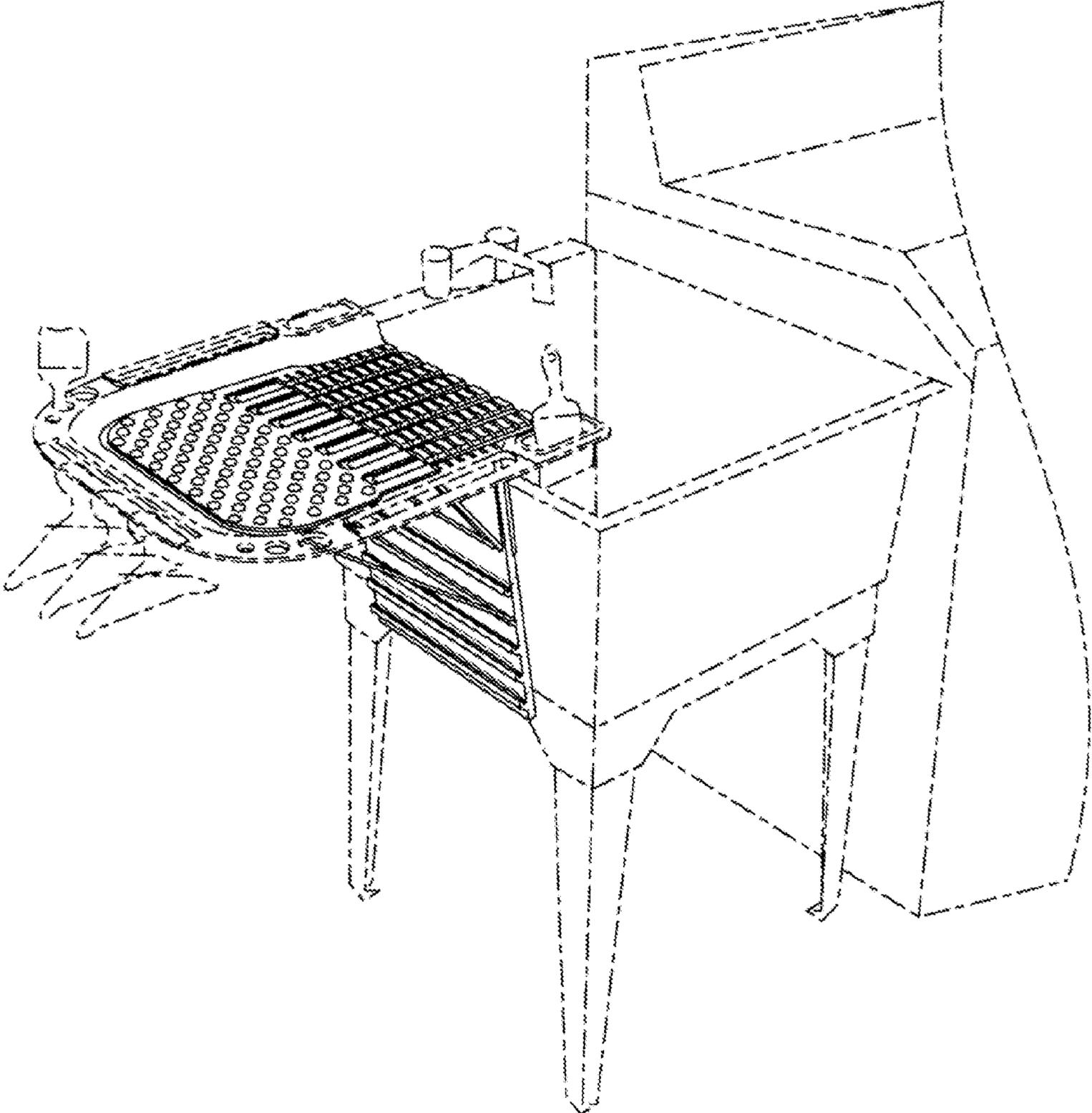


Fig. 1

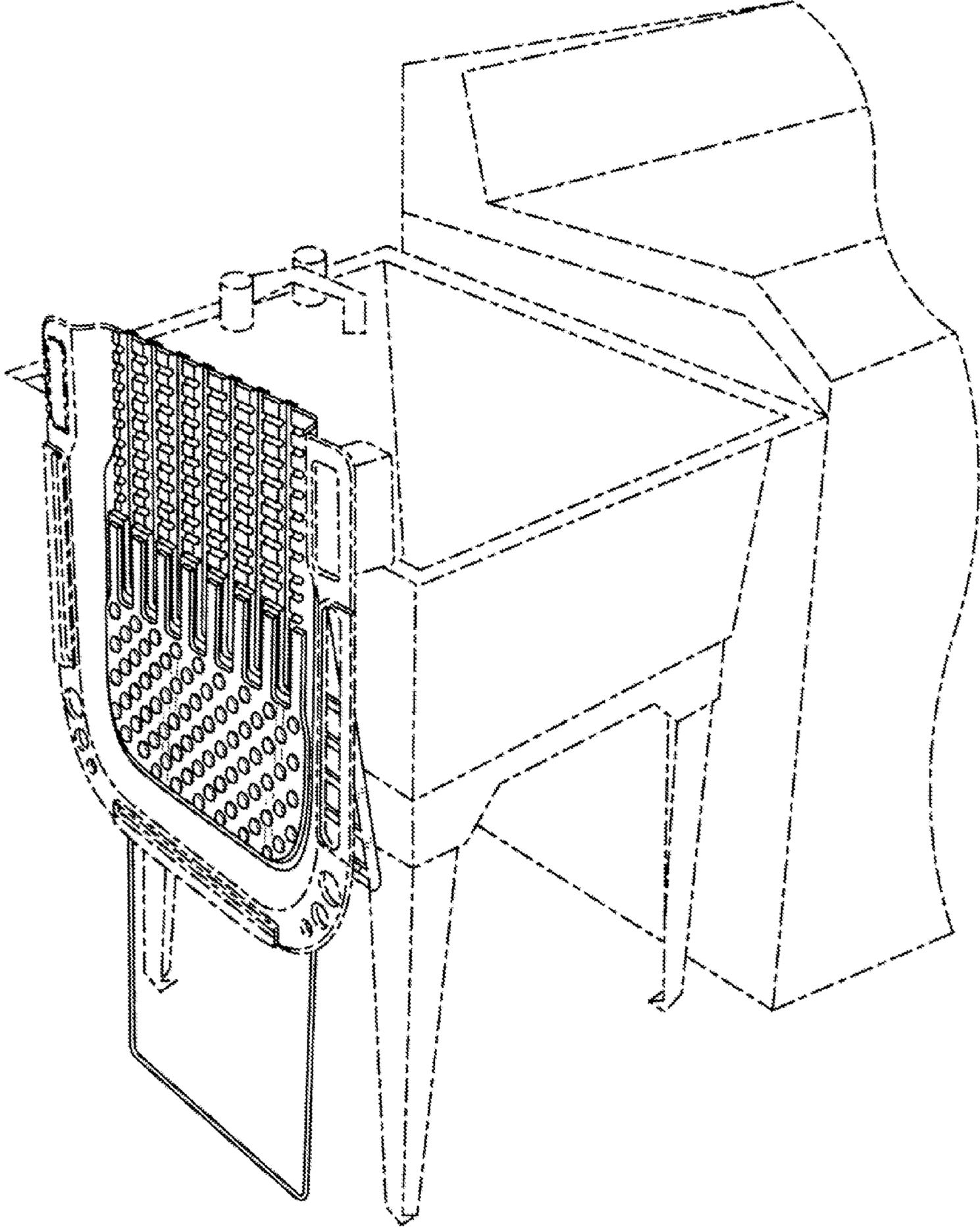


Fig. 2

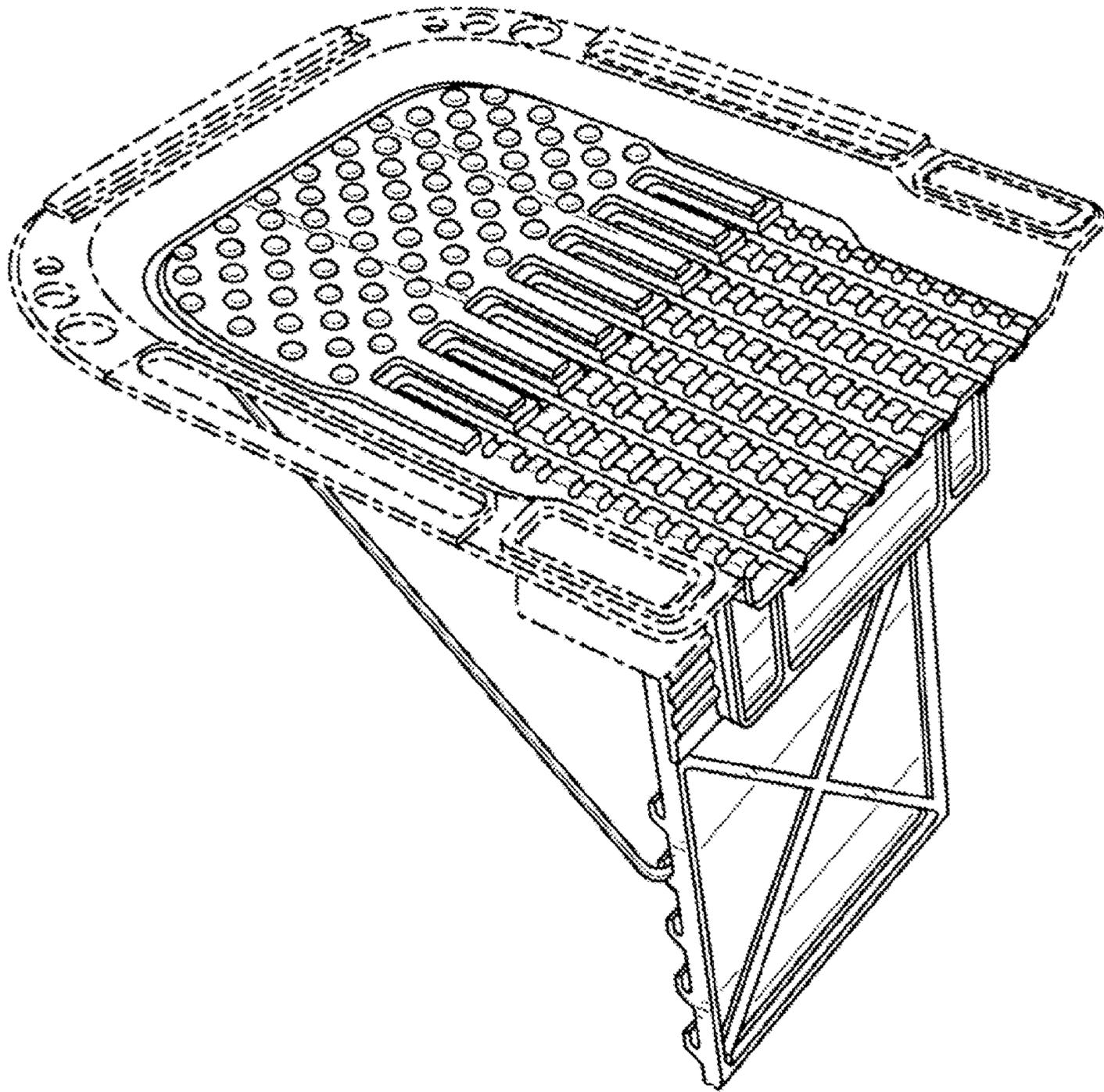


Fig. 3

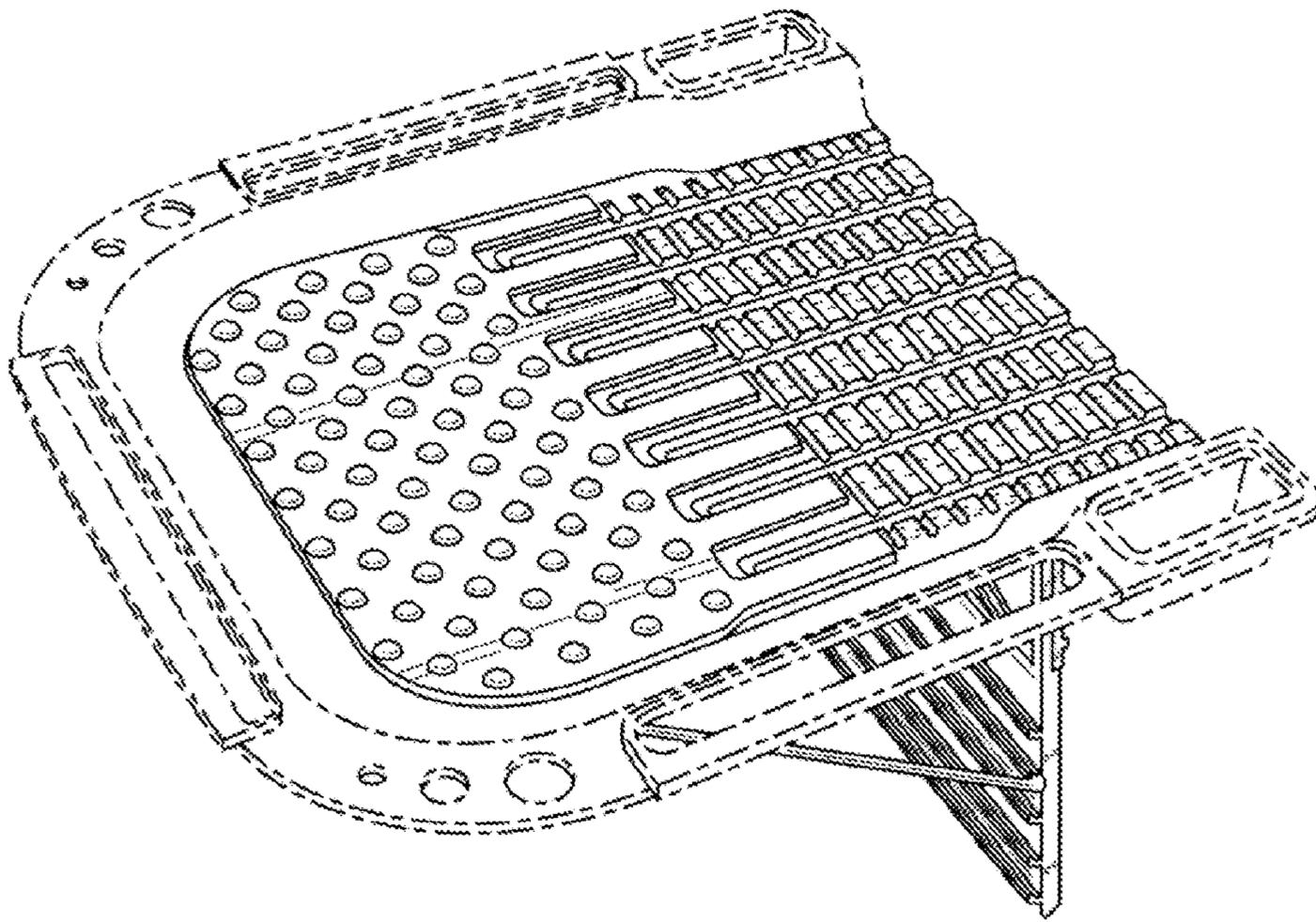


Fig. 4

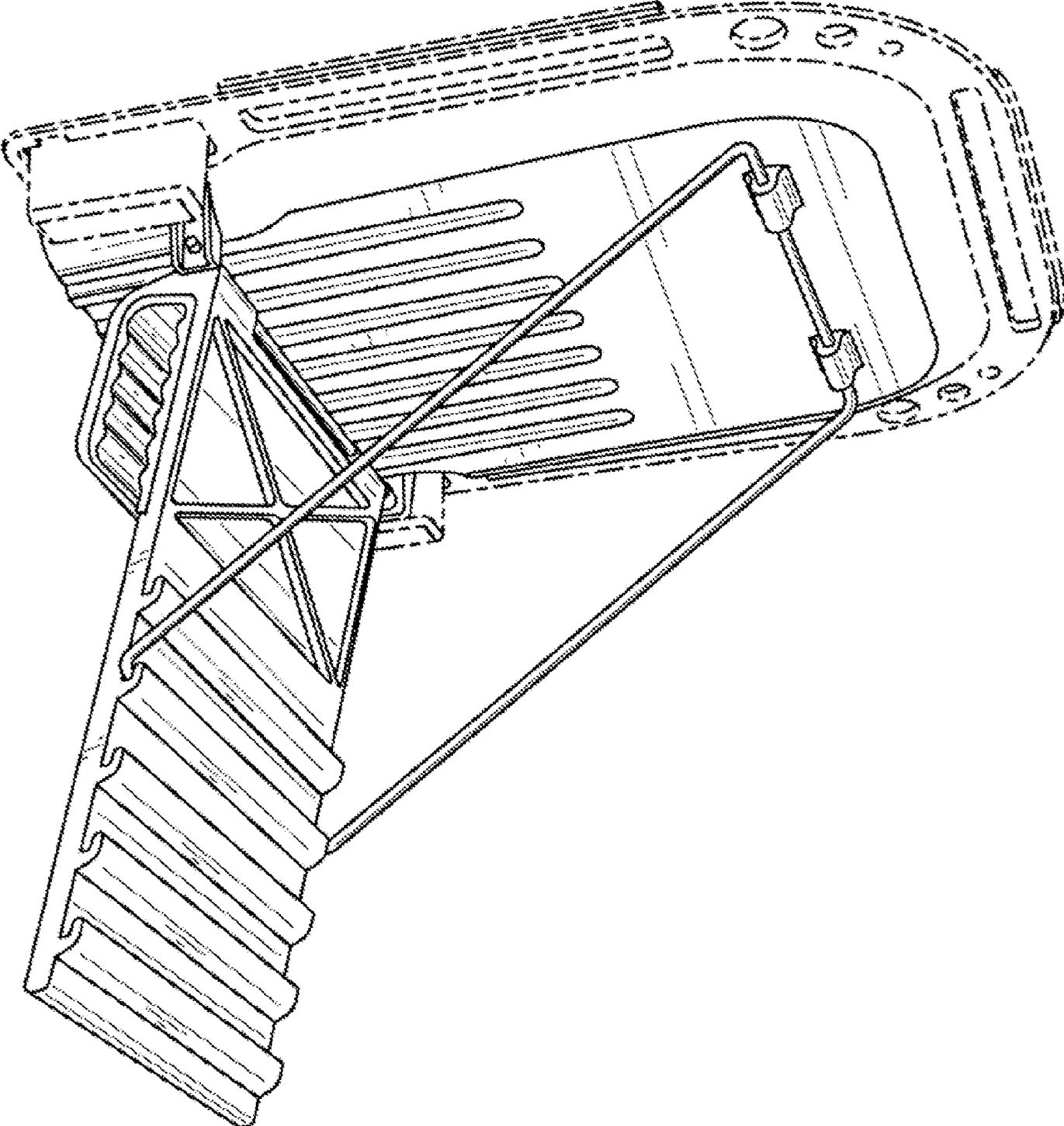


Fig. 5

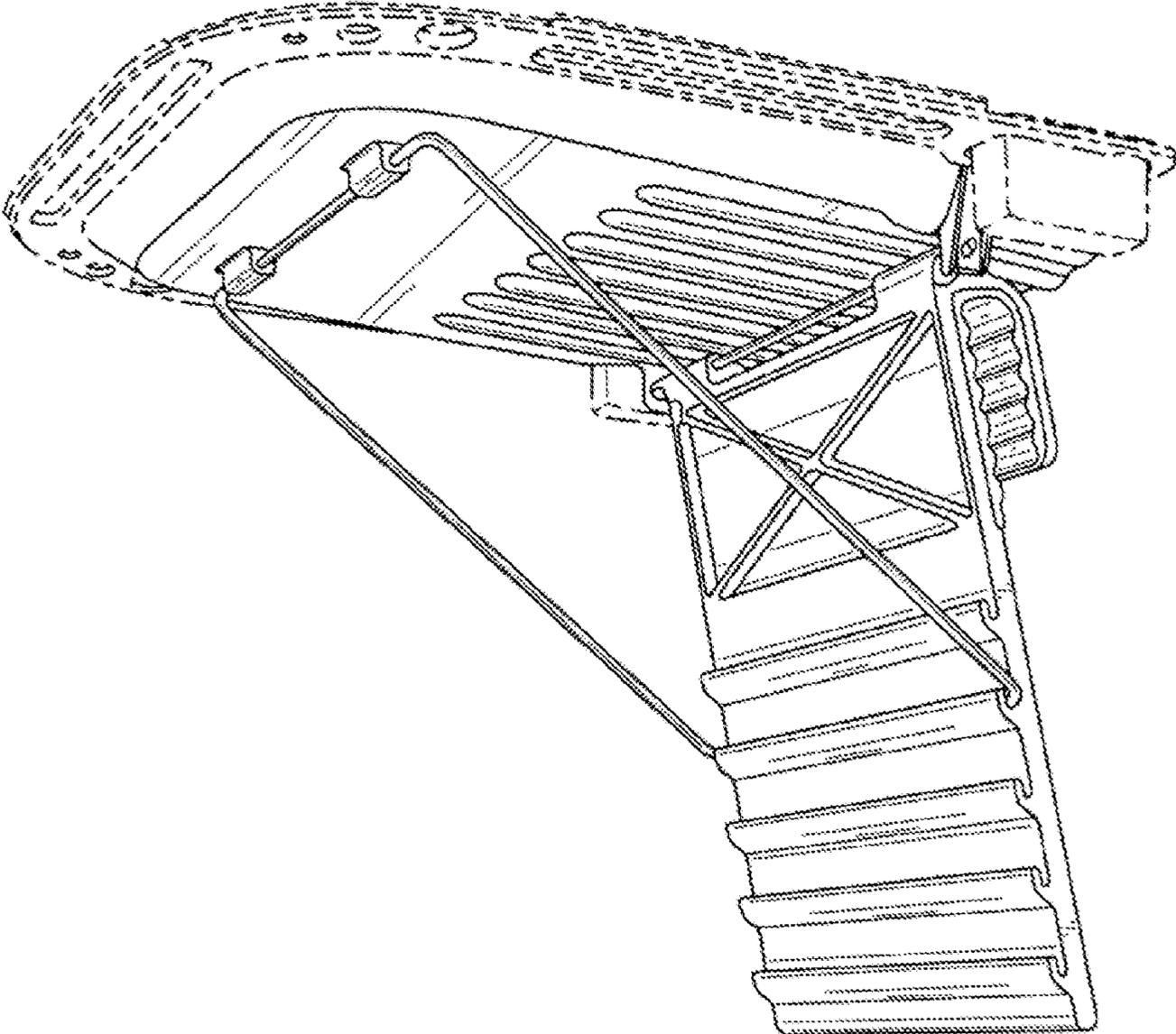


Fig. 6

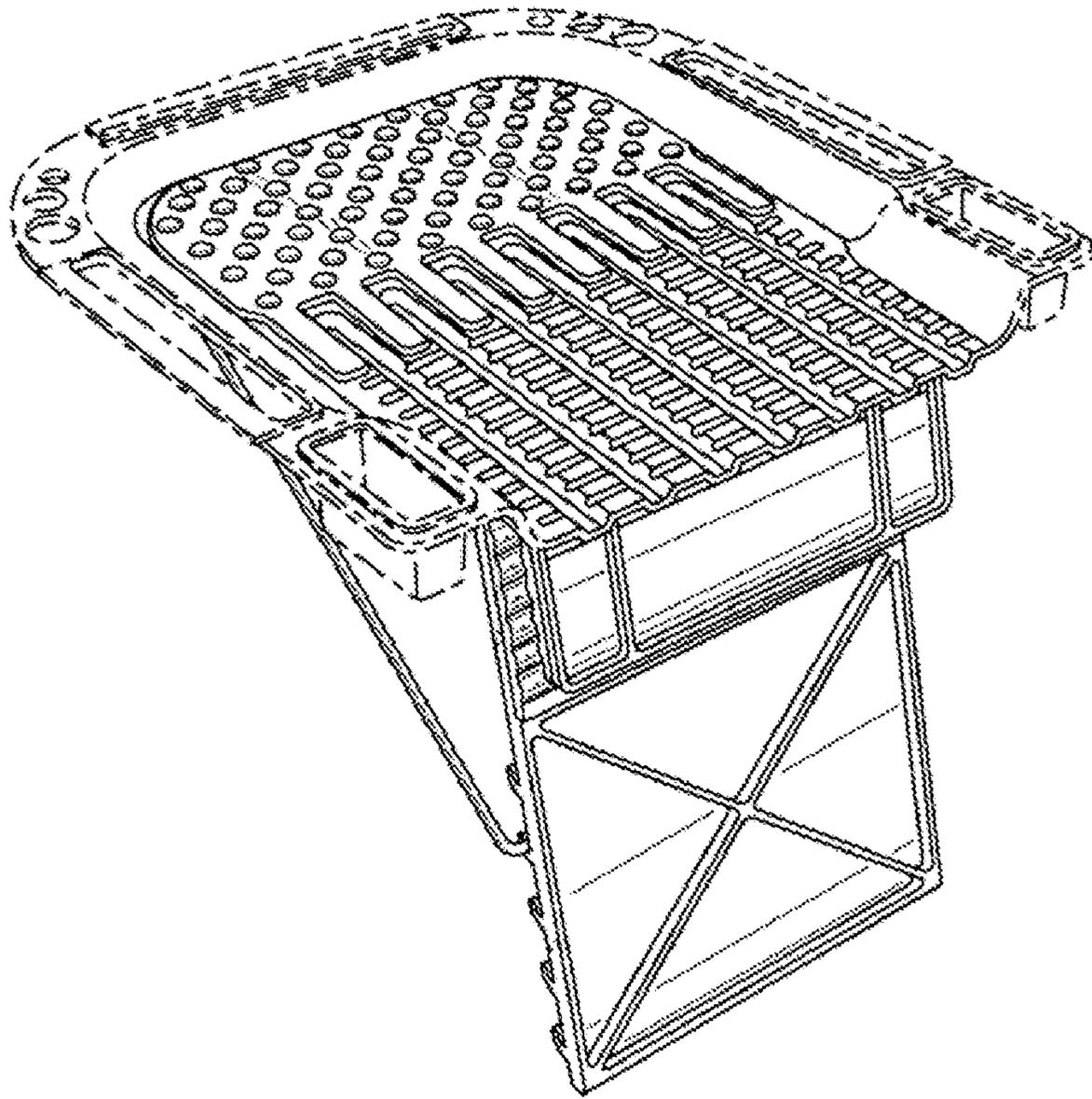


Fig. 7