



US00D636135S

(12) **United States Design Patent**
Spurgeon

(10) **Patent No.:** **US D636,135 S**

(45) **Date of Patent:** **** Apr. 12, 2011**

(54) **DOGHOUSE SHAPE ABSORBENT PAD**

(76) Inventor: **Donna Spurgeon**, Ojai, CA (US)

(**) Term: **14 Years**

(21) Appl. No.: **29/349,350**

(22) Filed: **Mar. 24, 2010**

(51) **LOC (9) Cl.** **30-99**

(52) **U.S. Cl.** **D30/161**

(58) **Field of Classification Search** D30/161;
D11/81-83, 126, 133-134, 136, 157-158,
D11/160, 125, 127; D6/612-615, 617, 597-598,
D6/608-609; D29/119; D19/6-7, 9, 4; 119/161,
119/163-170

See application file for complete search history.

(56) **References Cited**

U.S. PATENT DOCUMENTS

5,178,426	A *	1/1993	David et al.	119/161
D417,998	S *	12/1999	Kology et al.	D6/608
D468,574	S *	1/2003	Moore	D6/613
D499,136	S *	11/2004	Balliet	D19/6

D523,629	S *	6/2006	Carter	D3/211
D570,907	S *	6/2008	Masters	D19/4
D612,555	S *	3/2010	Kim	D30/161
2008/0236504	A1 *	10/2008	Silverman	119/169

* cited by examiner

Primary Examiner — Cathy Anne MacCormac

(74) *Attorney, Agent, or Firm* — Henry Bissell, IV

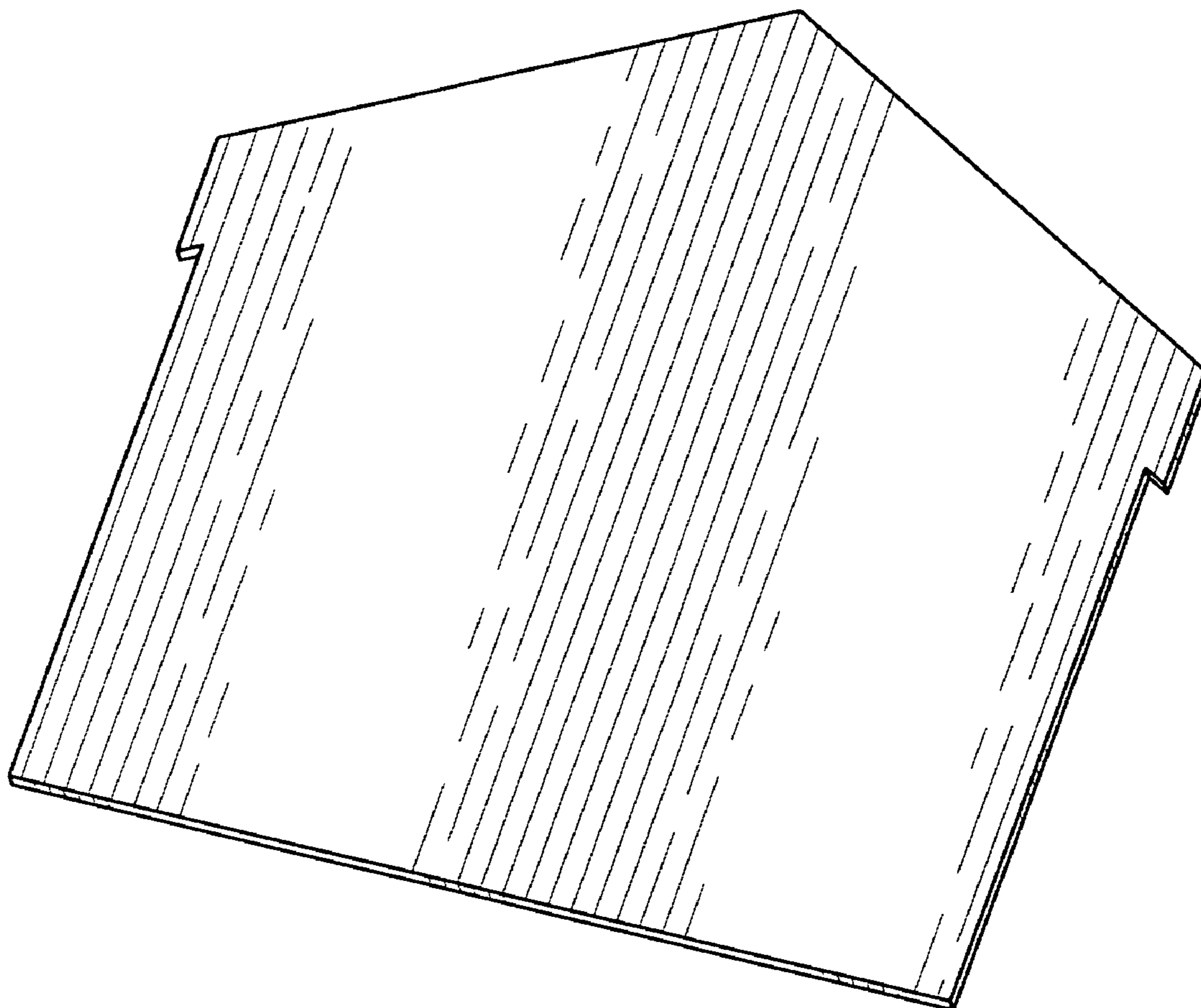
(57) **CLAIM**

The ornamental design for a doghouse shape absorbent pad, as shown and described.

DESCRIPTION

FIG. 1 is a perspective view of a doghouse shape absorbent pad in accordance with a first embodiment of my new design; FIG. 2 is a top plan view thereof; FIG. 3 is a left side elevational view thereof; FIG. 4 is a right side elevational view thereof; FIG. 5 is a bottom plan view thereof; FIG. 6 is a rear elevational view thereof; and, FIG. 7 is a front elevational view thereof.

1 Claim, 3 Drawing Sheets



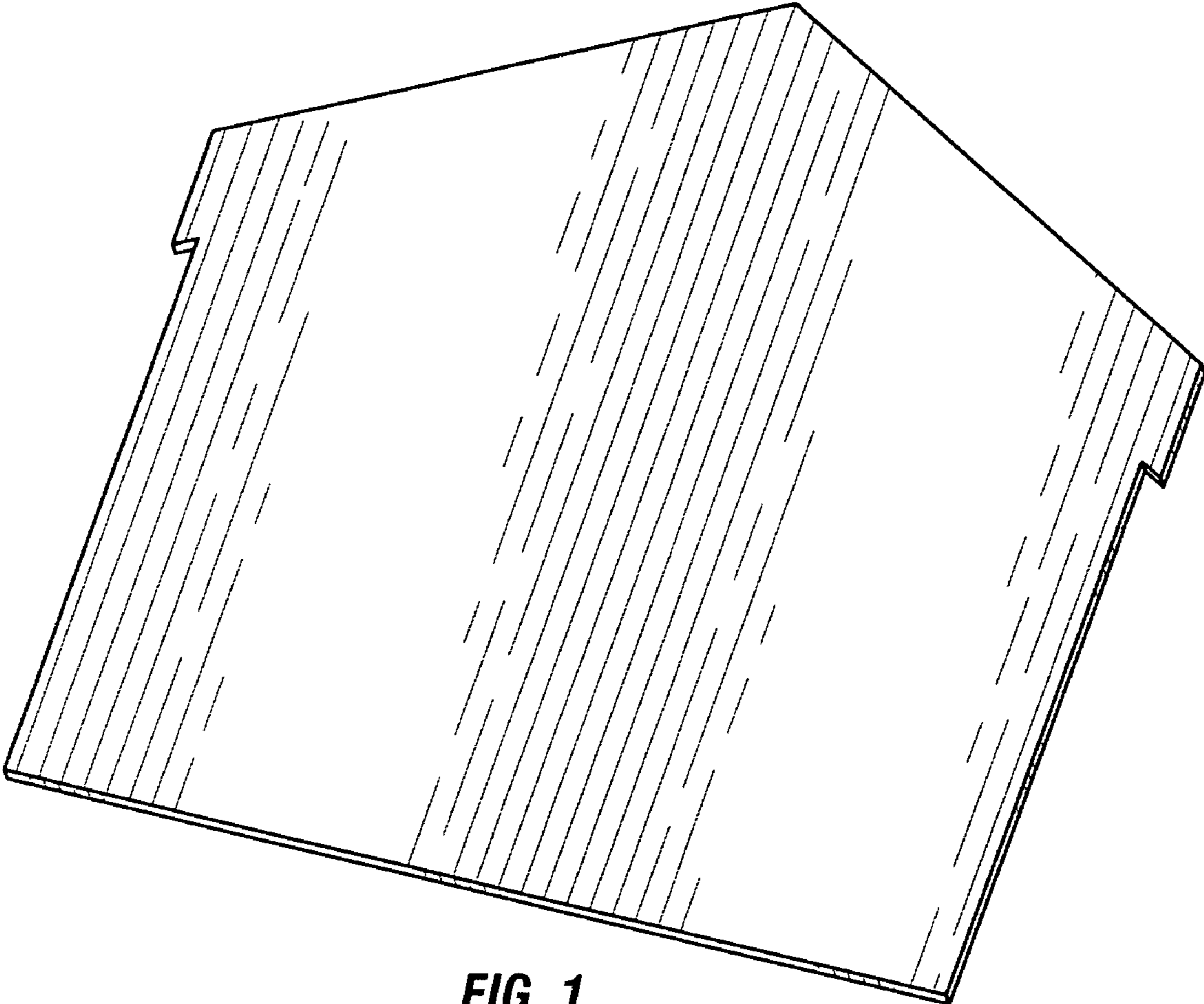


FIG. 1

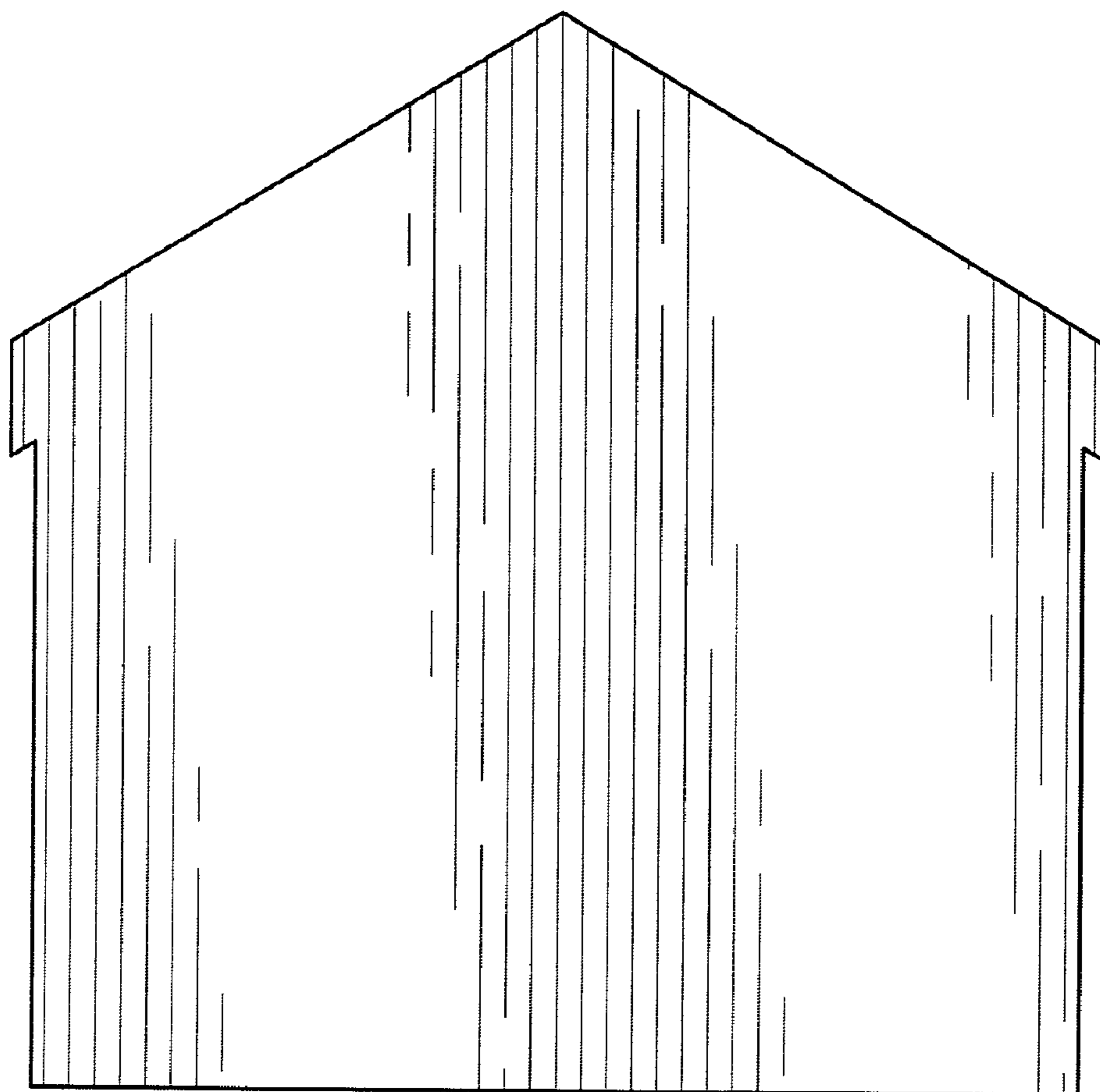


FIG. 2



FIG. 3



FIG. 4

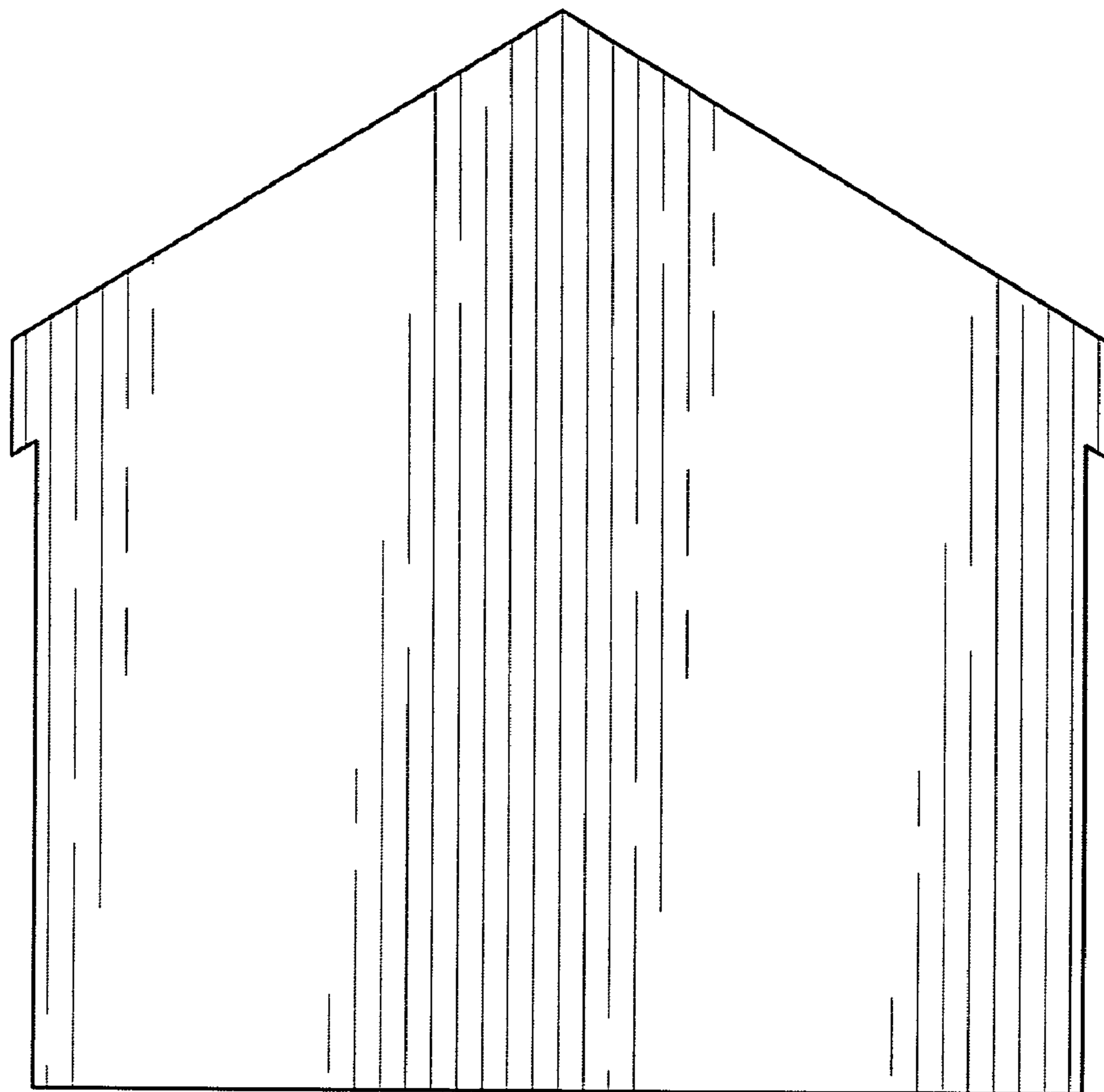


FIG. 5



FIG. 6



FIG. 7