



US00D636131S

(12) **United States Design Patent**  
**Johnson**

(10) **Patent No.:** **US D636,131 S**

(45) **Date of Patent:** **\*\* Apr. 12, 2011**

(54) **ROOFER'S KNEE PAD WITH TOOL AND ACCESSORY COMPARTMENTS**

(76) Inventor: **Phillip A. Johnson**, Atlanta, GA (US)

(\*\*) Term: **14 Years**

(21) Appl. No.: **29/372,255**

(22) Filed: **Nov. 2, 2010**

(51) **LOC (9) Cl.** ..... **29-02**

(52) **U.S. Cl.** ..... **D29/121.1**

(58) **Field of Classification Search** ..... D29/100,  
D29/101.1, 101.2, 101.3, 101.4, 101.5, 120.1,  
D29/120.2, 121.1, 121.2, 122; D2/858, 712,  
D2/901; D24/189, 190; 2/16, 20-24, 62,  
2/267, 455, 459, 461-468, 910, 911; 602/3,  
602/5, 6, 16, 23, 26

See application file for complete search history.

(56) **References Cited**

U.S. PATENT DOCUMENTS

3,044,075	A *	7/1962	Rawlings	.....	2/22
4,573,216	A *	3/1986	Wortberg	.....	2/465
5,105,473	A *	4/1992	Valtakari	.....	2/461
5,722,093	A *	3/1998	Andresen	.....	2/22
6,195,809	B1 *	3/2001	Garcia	.....	2/455
6,334,443	B1 *	1/2002	Olsen	.....	128/846

6,745,406	B2 *	6/2004	Ruane	.....	2/465
7,412,731	B1 *	8/2008	Brassill	.....	2/456
7,484,250	B2 *	2/2009	Chiang	.....	2/465
D618,357	S *	6/2010	Navies	.....	D24/189
2005/0033212	A1 *	2/2005	Scheinberg et al.	.....	602/43
2006/0041985	A1 *	3/2006	Godshaw	.....	D29/121.1
2006/0106356	A1 *	5/2006	McVicker et al.	.....	604/385.01
2006/0179545	A1 *	8/2006	Arensdorf et al.	.....	2/227
2009/0276943	A1 *	11/2009	Balolia	.....	2/455

\* cited by examiner

*Primary Examiner* — Raphael Barkai

*Assistant Examiner* — Randall Gholson

(74) *Attorney, Agent, or Firm* — Rodgers & Rodgers

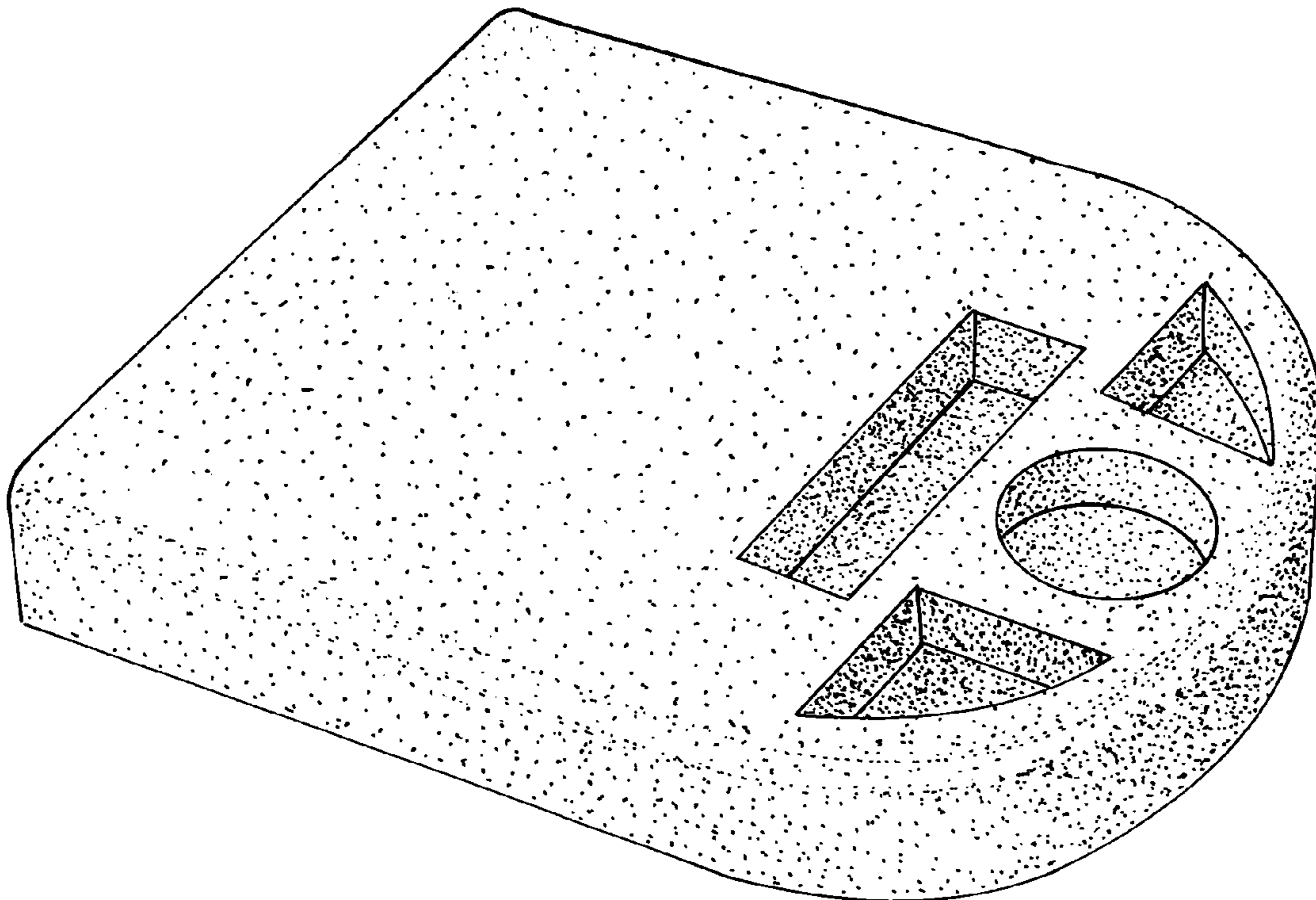
(57) **CLAIM**

The ornamental design for a roofer's knee pad with tool and accessory compartments, as shown and described.

**DESCRIPTION**

FIG. 1 is a perspective view of a roofer's knee pad with tool and accessory compartments showing my new design; FIG. 2 is a top plan view thereof; FIG. 3 is a right-side elevational view thereof; FIG. 4 is a rear elevational view thereof, the front being a mirror image thereof; FIG. 5 is a left-side elevational view thereof; and, FIG. 6 is a bottom plan view thereof.

**1 Claim, 2 Drawing Sheets**



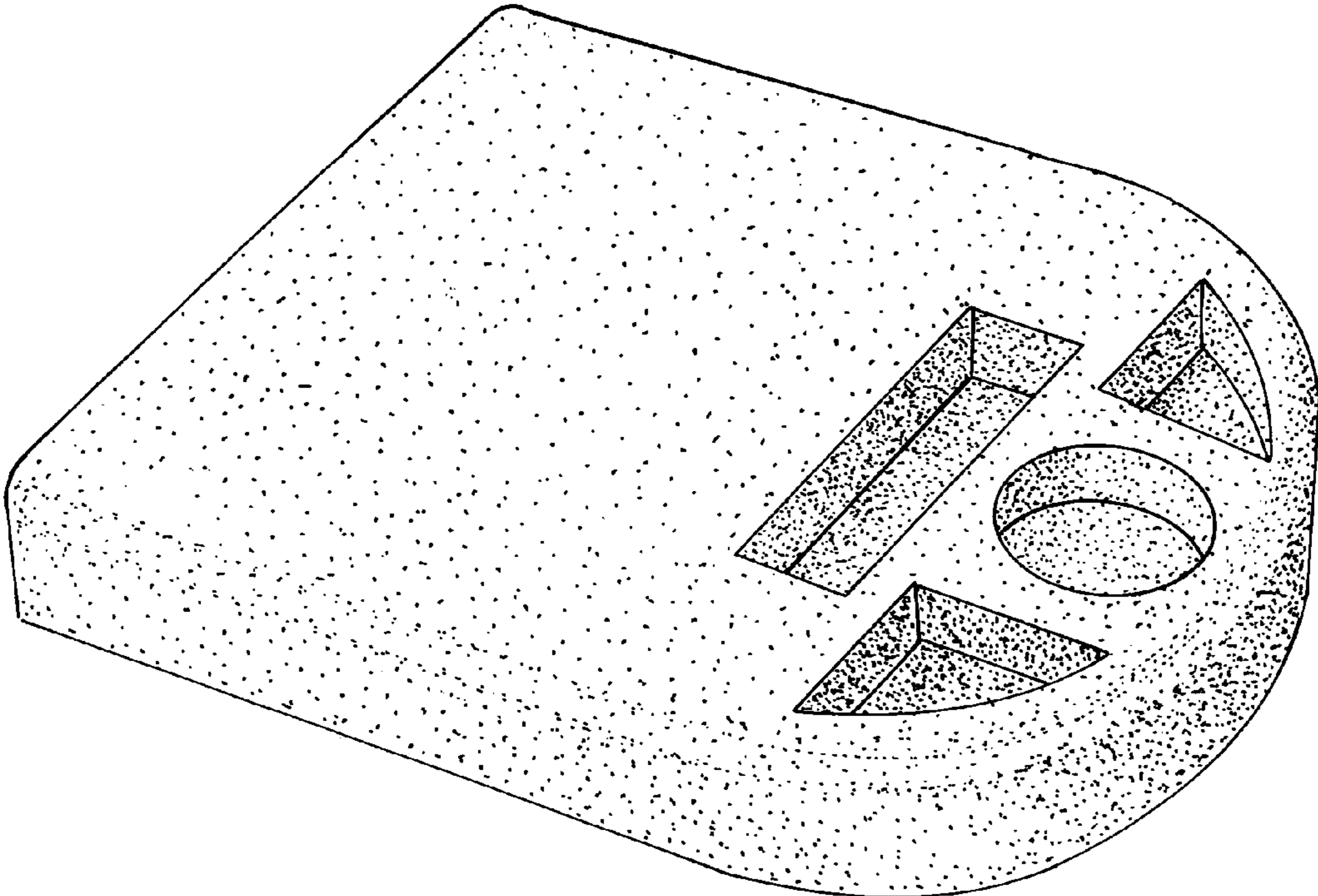


FIG. 1

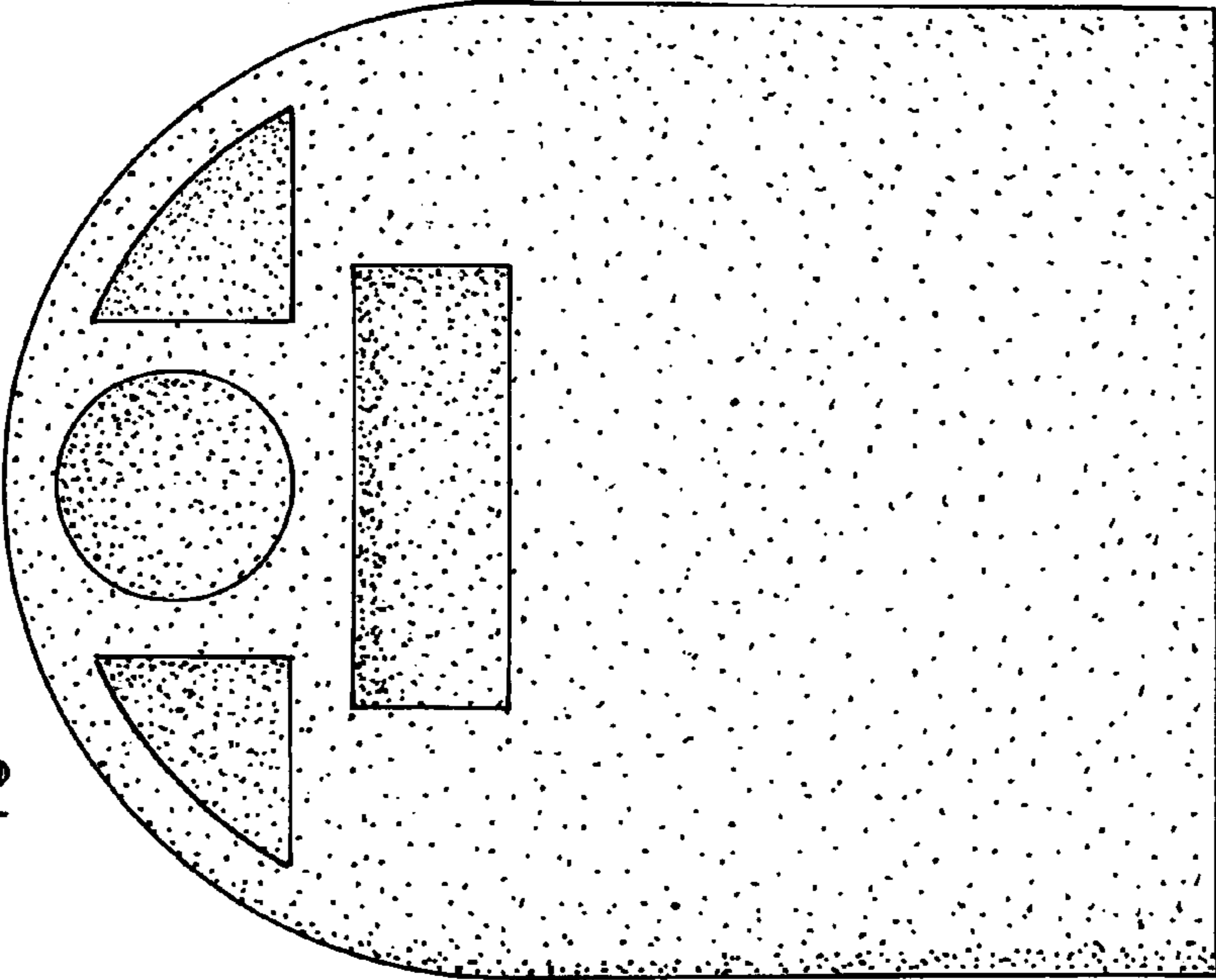


FIG. 2

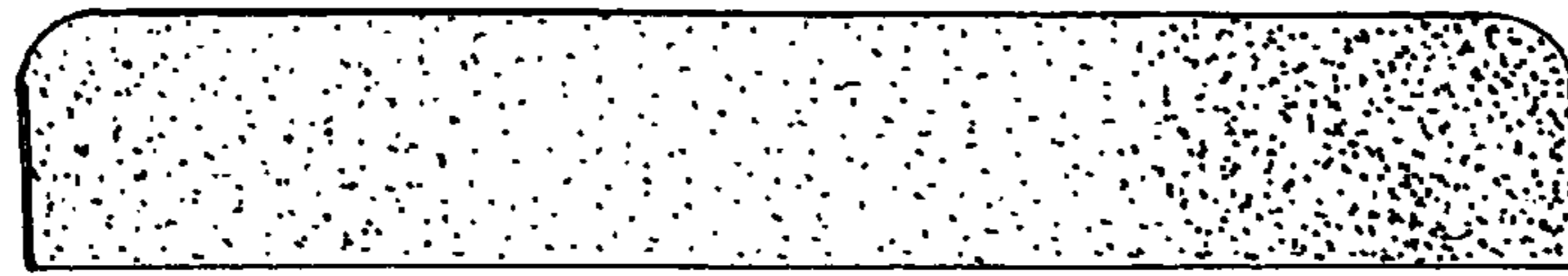


FIG. 3

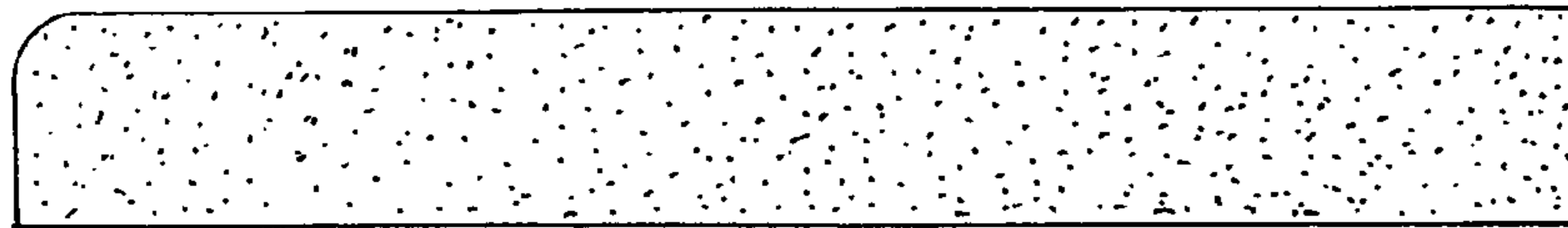


FIG. 4

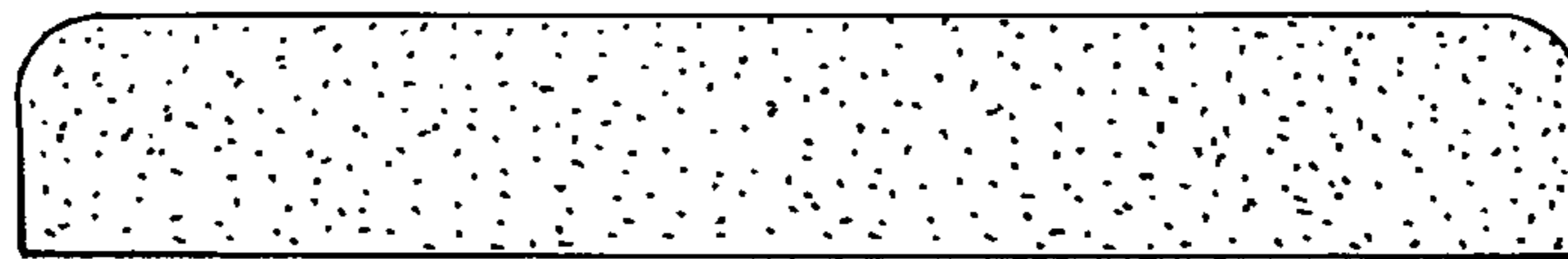


FIG. 5

FIG. 6

