



US00D636130S

(12) **United States Design Patent**
Foster et al.

(10) **Patent No.:** US D636,130 S
(45) **Date of Patent:** ** *Apr. 12, 2011

(54) **SOFT HAND RESTRAINT FOR TRANSPORTING PRISONERS**

(75) Inventors: **John Thomas Foster**, Westerville, OH (US); **Glenda Louise Hill-Foster**, Westerville, OH (US)

(73) Assignee: **Kufbag, Inc.**, Columbus, OH (US)

(*) Notice: This patent is subject to a terminal disclaimer.

(**) Term: **14 Years**

(21) Appl. No.: **29/344,763**

(22) Filed: **Oct. 3, 2009**

Related U.S. Application Data

(63) Continuation-in-part of application No. 29/331,388, filed on Jan. 25, 2009, now Pat. No. Des. 608,953.

(51) **LOC (9) Cl.** **29-02**

(52) **U.S. Cl.** **D29/120.2**

(58) **Field of Classification Search** D29/120.1, D29/120.2, 113; 2/16, 17, 170; 24/16 BP; 70/14-19; 119/770; 128/869, 878
See application file for complete search history.

(56) **References Cited**

U.S. PATENT DOCUMENTS

3,740,977 A 6/1973 Stefansen et al.
(Continued)

FOREIGN PATENT DOCUMENTS

GB 2426429 A 11/2006
(Continued)

Primary Examiner — Raphael Barkai

Assistant Examiner — Randall Gholson

(74) *Attorney, Agent, or Firm* — Raymond N. Ervin, Ltd.

(57) **CLAIM**

An ornamental design for a soft hand restraint for transporting prisoners, as shown and described.

DESCRIPTION

FIG. 1 is a front perspective view showing the design of a soft hand restraint for transporting showing wrist restraints in closed position and the handcuff retaining strap in the open position.

FIG. 2 is rear perspective view of the soft hand restraint for transporting prisoners showing the wrist restraints in closed position and the handcuff retaining strap in the open position.

FIG. 3 is a rear perspective view of the soft hand restraint for transporting prisoners, showing the wrist restraints in closed position and the handcuff retaining strap in the closed position.

FIG. 4 is a left side elevation view of the soft hand restraint for transporting prisoners; the right side being substantially similar, showing wrist restraints and the handcuff retaining strap in the open position.

FIG. 5 is a bottom plan view of the soft hand restraint for transporting prisoners, wherein the wrist restraints and the handcuff retaining strap are shown in the closed position.

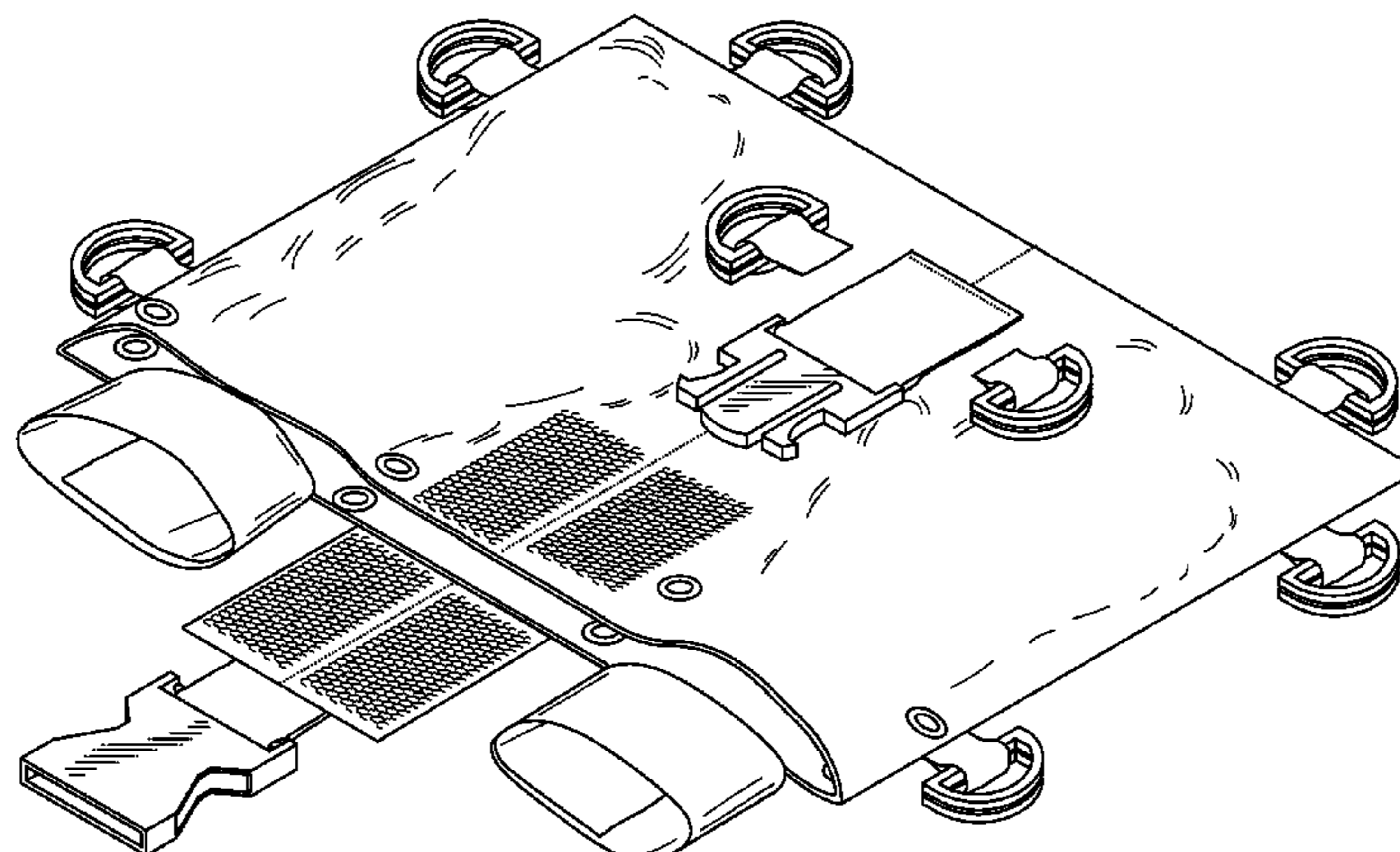
FIG. 6 is a top plan view of the soft hand restraint for transporting prisoners, wherein the wrist restraints and the handcuff retaining strap are shown in the closed position.

FIG. 7 is a front perspective view showing the soft hand restraint for transporting prisoners showing the handcuff retaining strap and wrist restraints in the closed position.

FIG. 8 is a front perspective view showing the design of another embodiment of the soft hand restraint for transporting prisoners having a seat belt restraint slot that incorporates the handcuff retaining strap located in the proximity of the top edge, showing the wrist restraints and the handcuff retaining strap in the closed position, wherein a plurality of D-Rings are affixed to the left and right mid-front, and the bottom, left and right edges, beyond this aspect alone, all other elements and aspects of the design being substantially similar; and,

FIG. 9 is a front perspective view showing the design of another embodiment of the soft hand restraint for transporting prisoners having a seat belt restraint slot that incorporates the handcuff retaining strap located in the proximity of the top edge, showing the wrist restraints and the handcuff retaining strap in the closed position, wherein a plurality of D-Rings are affixed to the left and right mid-front, and the bottom, left and right edges, showing binders (retaining straps) engaged in the D-Rings about the edges, beyond this aspect alone, all other elements and aspects of the design being substantially similar.

1 Claim, 7 Drawing Sheets



US D636,130 S

Page 2

U.S. PATENT DOCUMENTS

3,741,207 A 6/1973 Fuson
4,469,096 A * 9/1984 Rivadeneyra 128/879
4,618,328 A 10/1986 Chi
4,674,110 A * 6/1987 Eaton et al. 378/208
4,887,616 A * 12/1989 Baijnath 128/879
4,964,419 A 10/1990 Karriker
5,007,257 A 4/1991 Thompson
5,031,641 A 7/1991 Upton
5,088,158 A 2/1992 Burkholder
5,121,743 A * 6/1992 Bishop 602/22
5,159,728 A 11/1992 Bingold
5,261,728 A 11/1993 Carmichael
D347,156 S 5/1994 Starrett et al.
5,345,947 A 9/1994 Fisher
5,349,966 A 9/1994 Garcia
D352,572 S 11/1994 Pustizzi, Jr.

5,377,510 A 1/1995 Smith
5,398,383 A 3/1995 Bingold
5,479,943 A 1/1996 Kushnell, III
5,542,433 A 8/1996 Saupe
5,555,751 A 9/1996 Strickland
5,604,933 A 2/1997 Stephens
5,732,576 A 3/1998 Moore
5,797,404 A 8/1998 Stanchin, II
6,000,249 A 12/1999 Wilber
6,138,677 A 10/2000 DeVane
6,886,374 B2 5/2005 Clifton, Jr.
7,210,172 B2 5/2007 Adams, Jr.

FOREIGN PATENT DOCUMENTS

WO WO 2007/066367 A2 6/2007

* cited by examiner

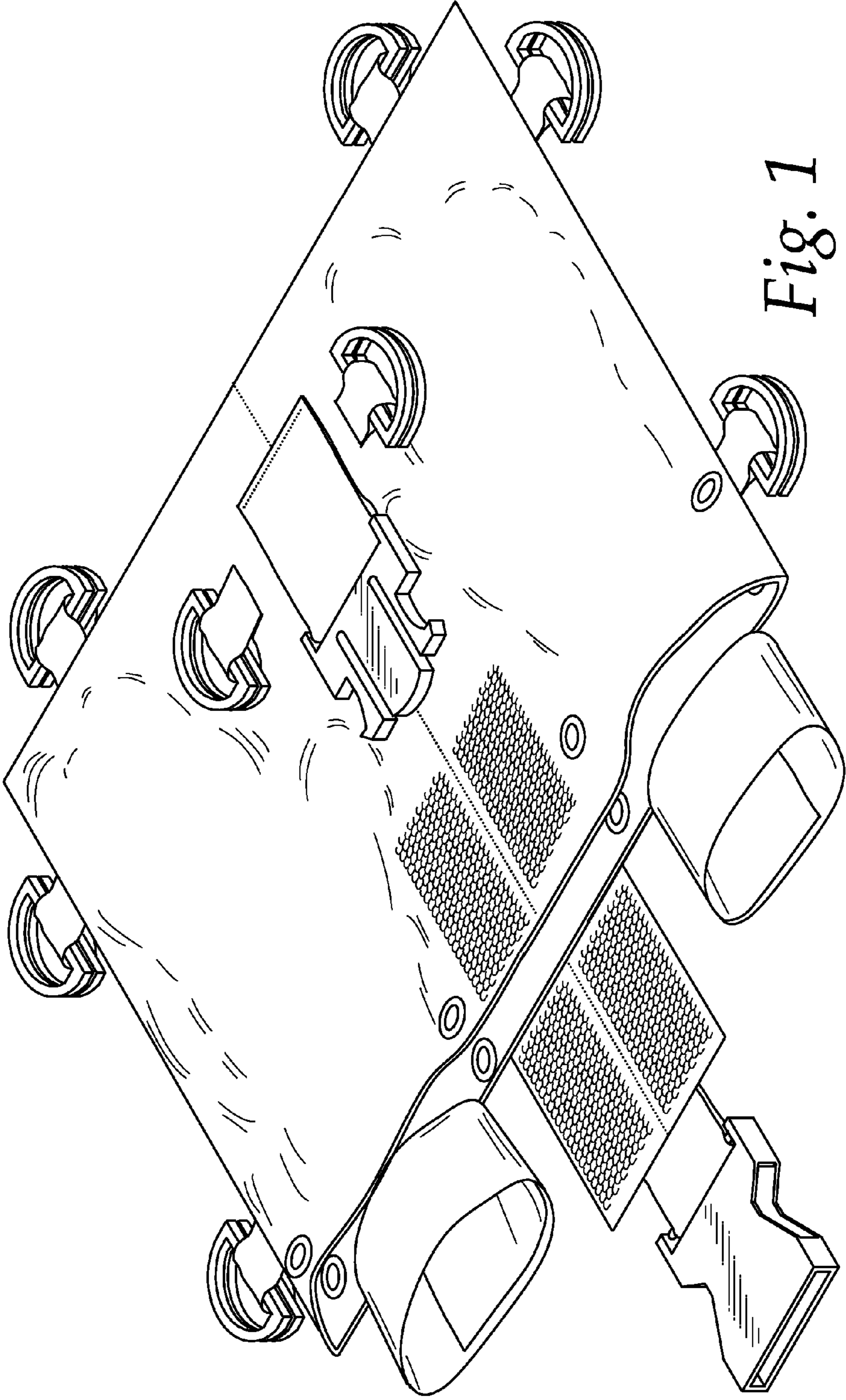


Fig. 1

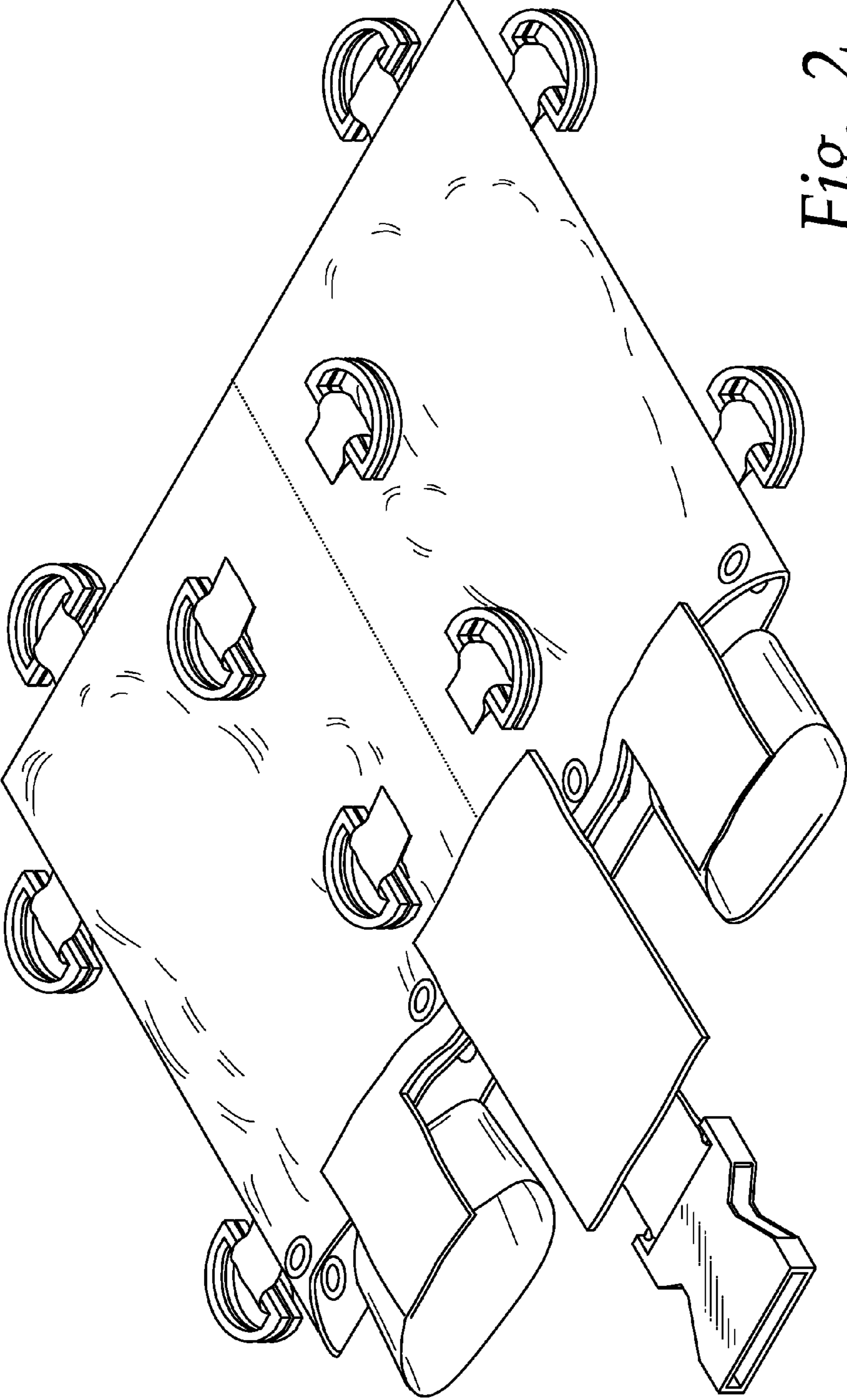


Fig. 2

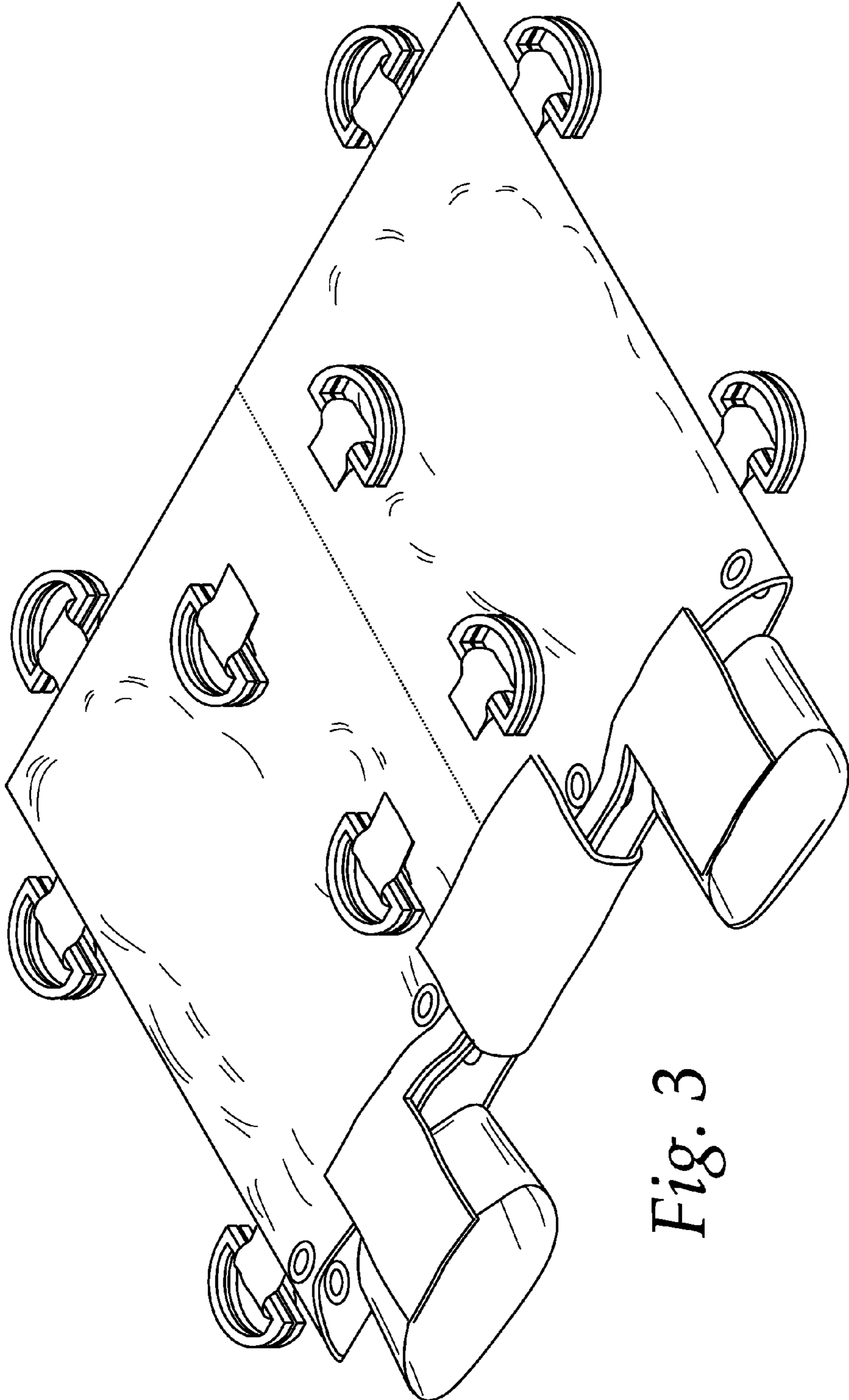


Fig. 3

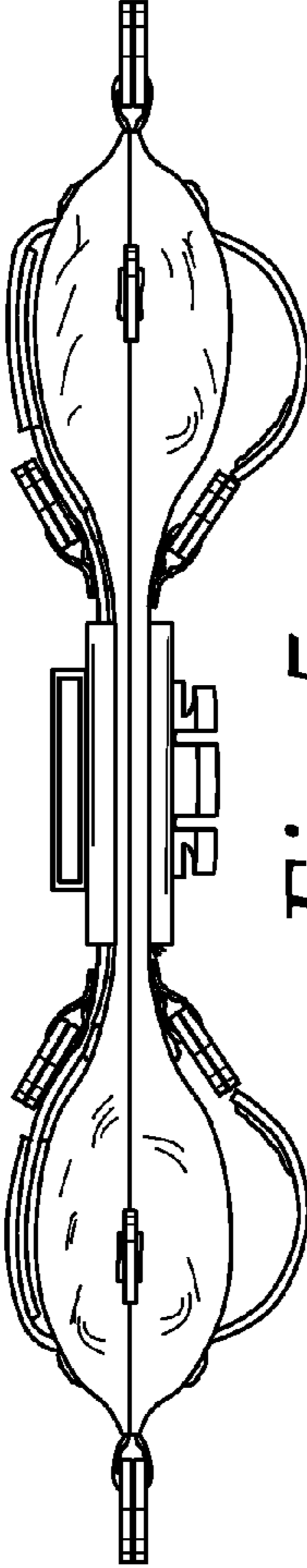


Fig. 5

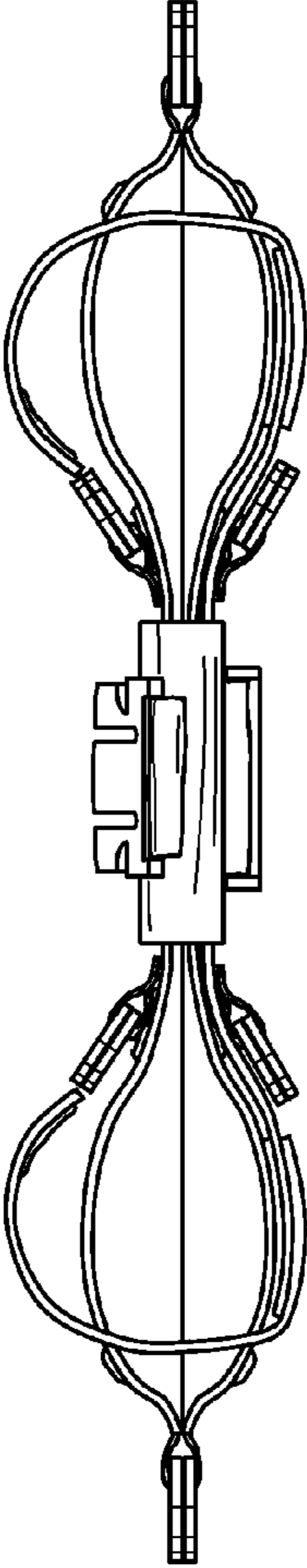


Fig. 6

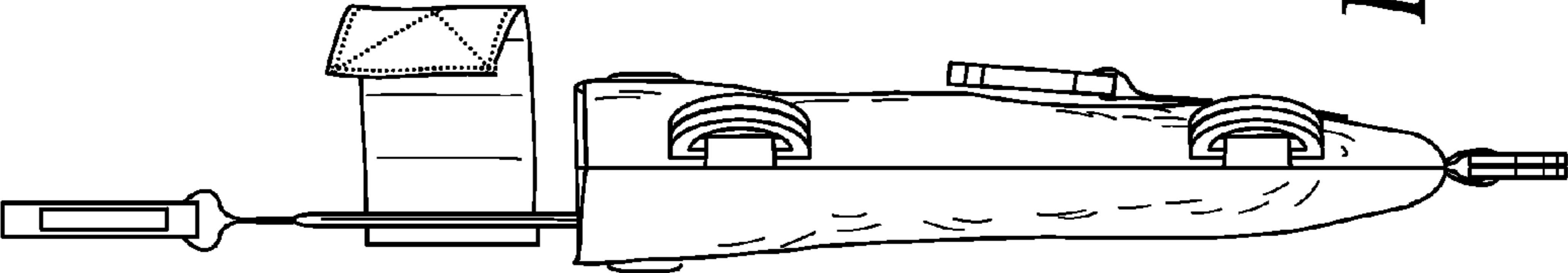


Fig. 4

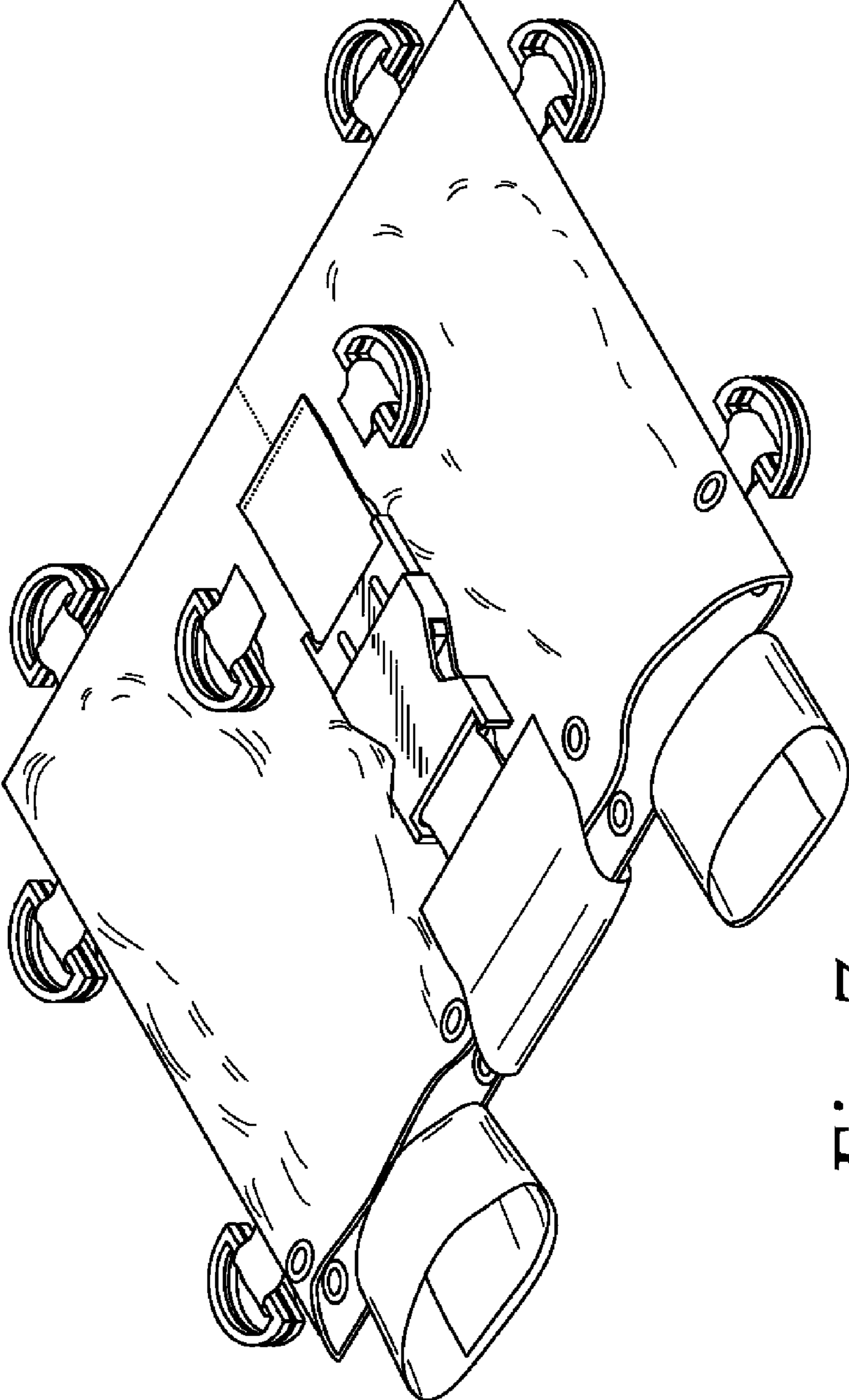


Fig. 7

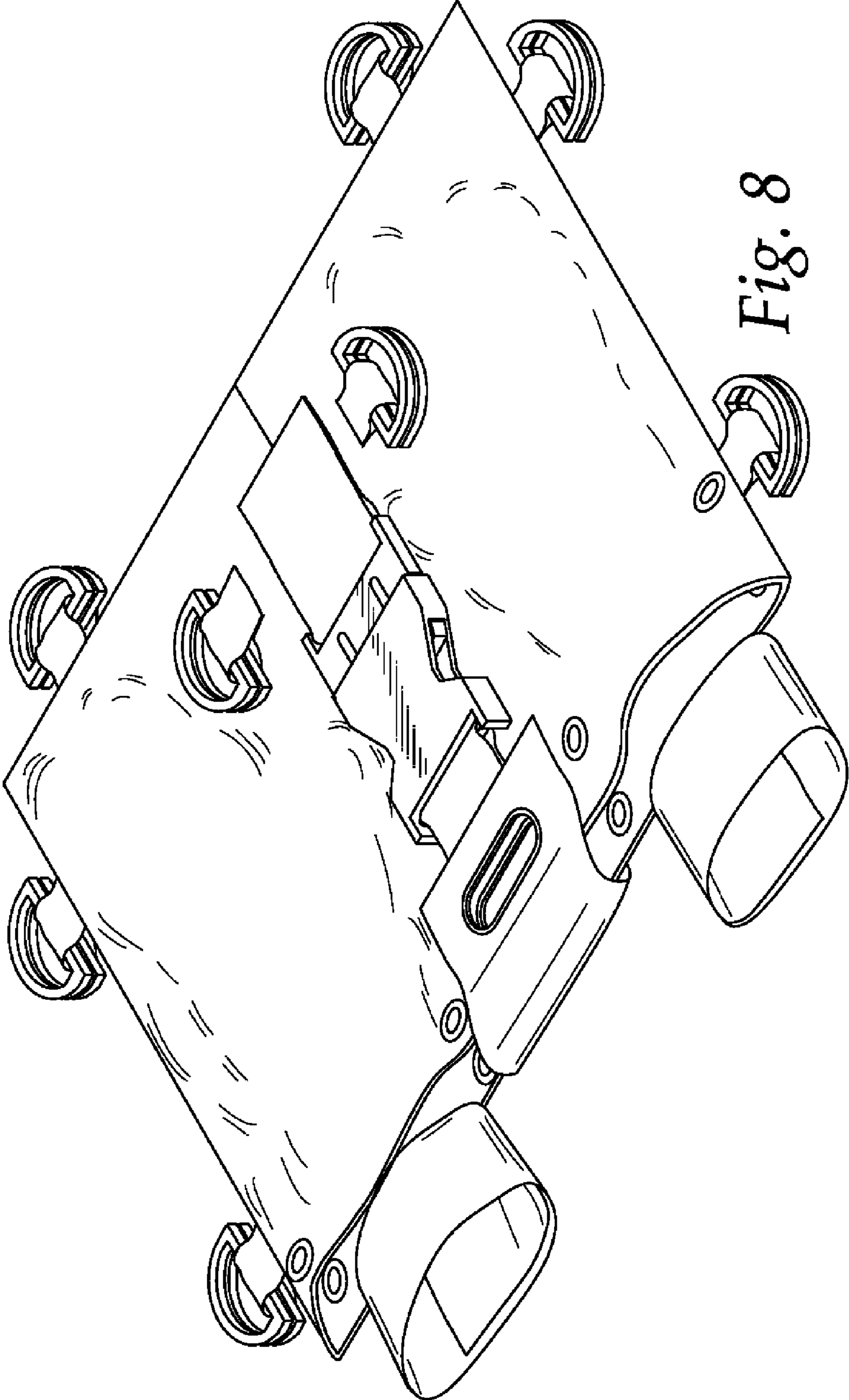


Fig. 8

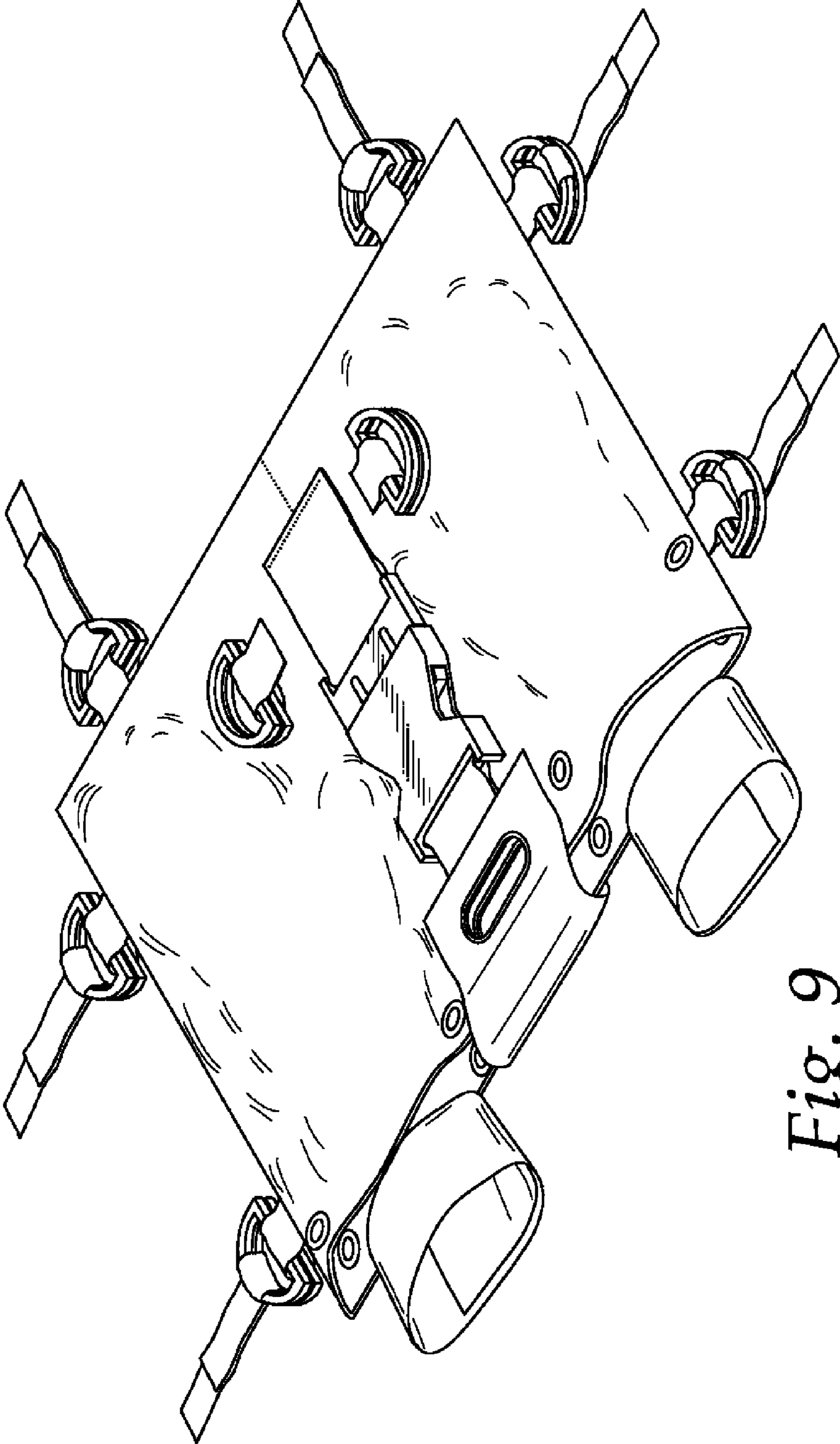


Fig. 9