



US00D636122S

(12) **United States Design Patent**  
**Love-Johnson**

(10) **Patent No.:** **US D636,122 S**

(45) **Date of Patent:** **\*\* Apr. 12, 2011**

(54) **BRAID REMOVAL TOOL**

(76) Inventor: **Deborah Love-Johnson**, Shawnee, KS  
(US)

(\*\*) Term: **14 Years**

(21) Appl. No.: **29/369,058**

(22) Filed: **Sep. 1, 2010**

**Related U.S. Application Data**

(63) Continuation of application No. 11/531,308, filed on  
Sep. 13, 2006.

(51) **LOC (9) Cl.** ..... **28-03**

(52) **U.S. Cl.** ..... **D28/10**

(58) **Field of Classification Search** ..... D28/9,  
D28/10, 65; 132/212, 270, 273, 321, 329;  
D24/154

See application file for complete search history.

(56) **References Cited**

**U.S. PATENT DOCUMENTS**

D26,678 S *	2/1897	Ivory	.....	D24/154
D172,481 S *	6/1954	Simmons	.....	D28/65
D298,855 S *	12/1988	White	.....	D24/154
5,967,151 A *	10/1999	Villani et al.	.....	132/200
D469,180 S *	1/2003	Mark	.....	D24/154

6,782,896 B1 *	8/2004	Grimes	.....	132/212
D513,646 S *	1/2006	Minor, Jr.	.....	D28/10
D567,438 S *	4/2008	Srivastava	.....	D28/10
D567,439 S *	4/2008	Srivastava	.....	D28/10
D571,962 S *	6/2008	Wittke-Kothe	.....	D28/57
D588,747 S *	3/2009	Wittke-Kothe	.....	D24/154
2005/0188998 A1 *	9/2005	Salas	.....	132/212
2006/0096610 A1 *	5/2006	Bradford et al.	.....	132/212

\* cited by examiner

*Primary Examiner* — Jennifer Rivard

(74) *Attorney, Agent, or Firm* — Shook, Hardy & Bacon  
L.L.P.

(57) **CLAIM**

The ornamental design for a braid removal tool, substantially  
as shown and described.

**DESCRIPTION**

FIG. 1 is a perspective view showing the braid removal tool of  
the present invention.

FIG. 2 is a front view of the tool.

FIG. 3 is a back view of the tool.

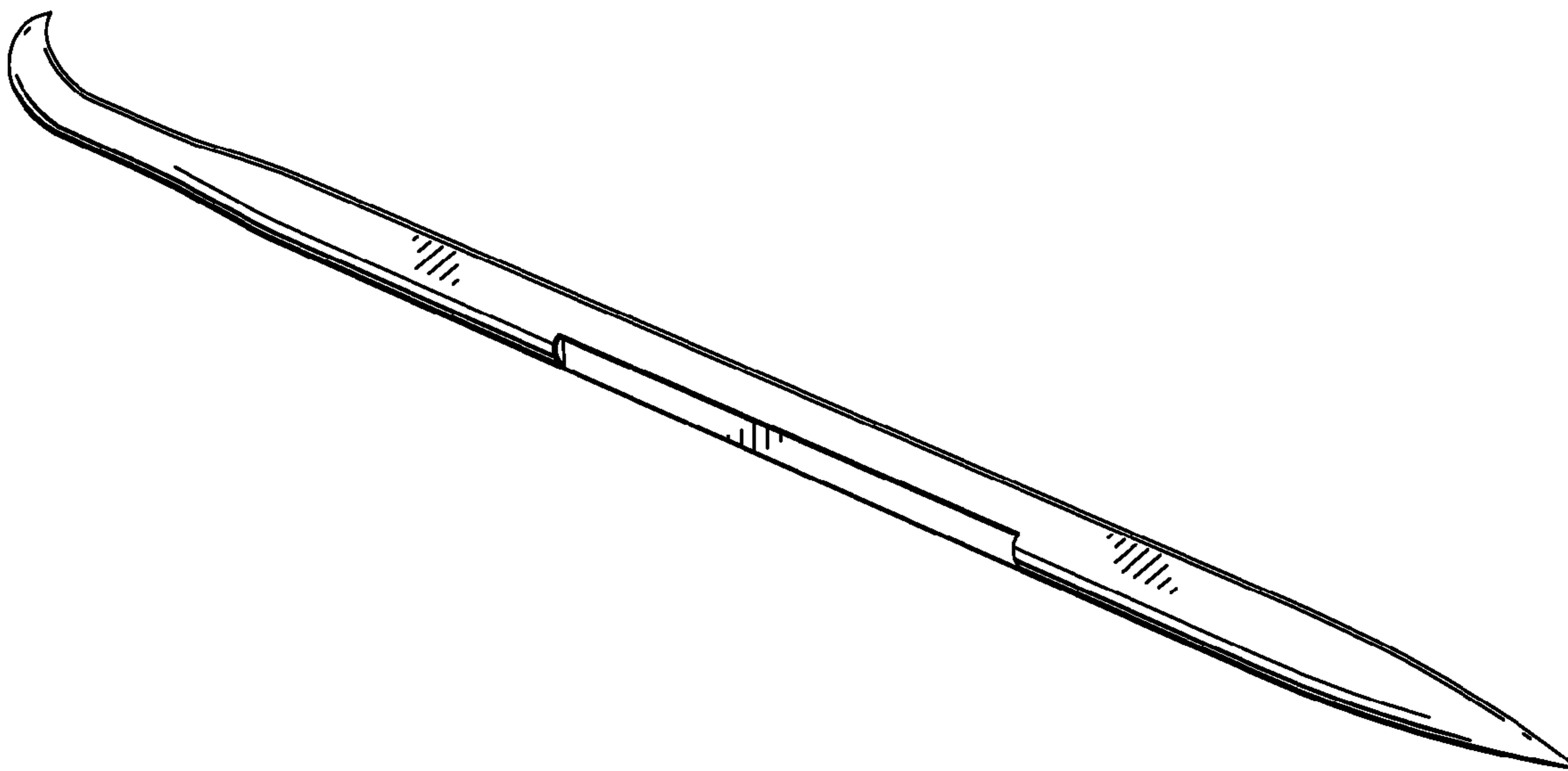
FIG. 4 is a top view of the tool.

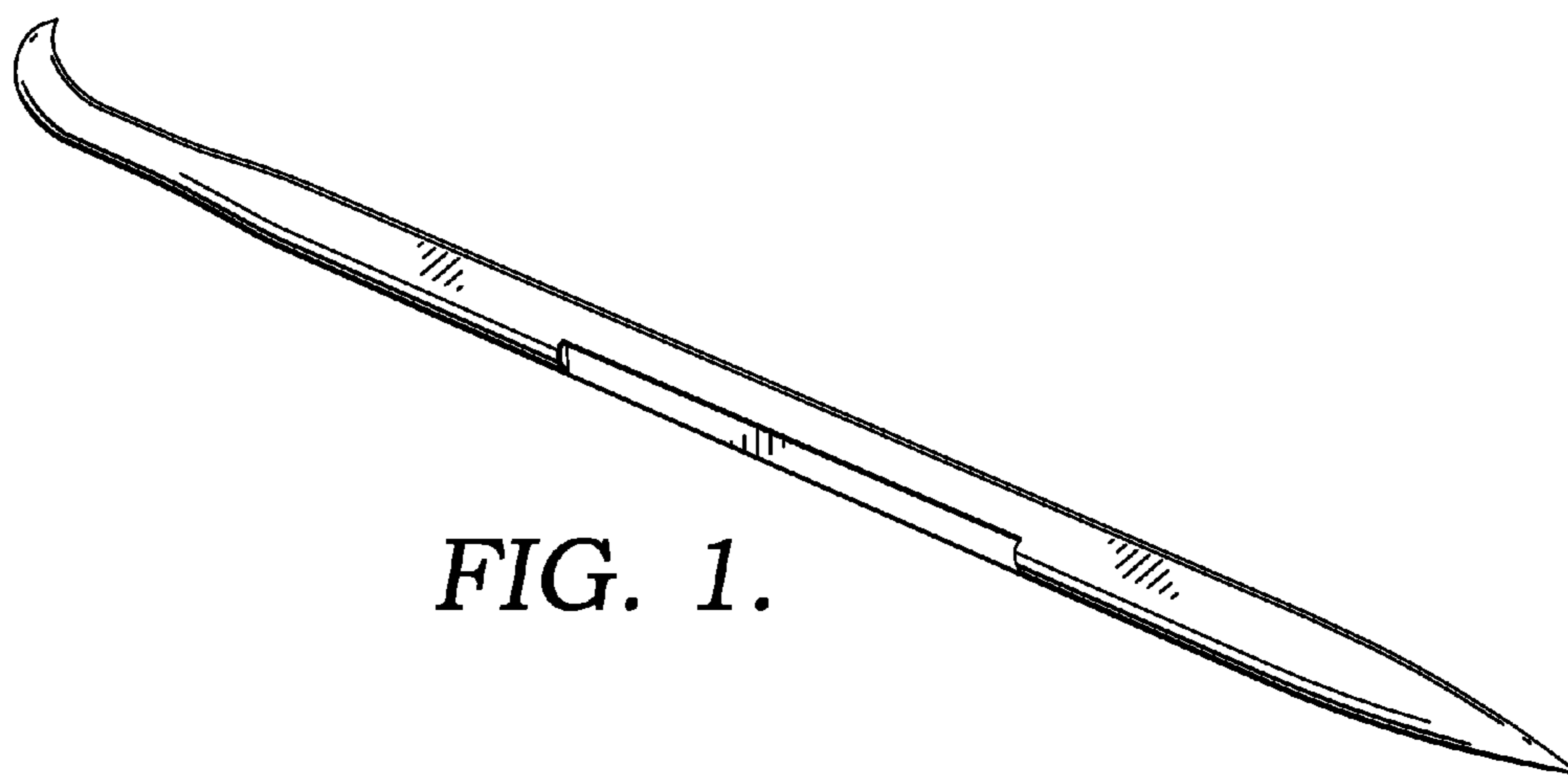
FIG. 5 is a bottom view of the tool.

FIG. 6 is a magnified view of the conical end of the tool; and,

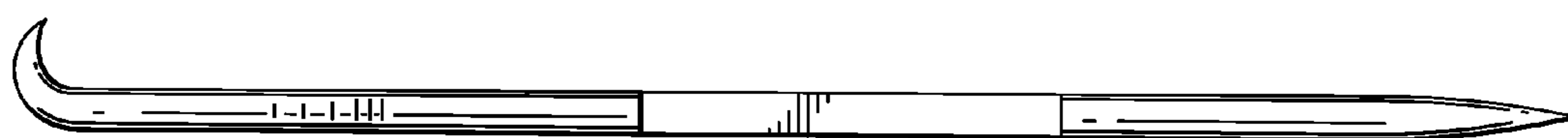
FIG. 7 is a magnified view of the hooked end of the tool.

**1 Claim, 2 Drawing Sheets**





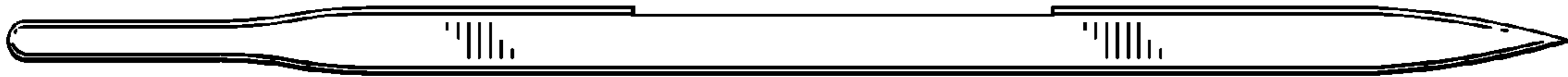
*FIG. 1.*



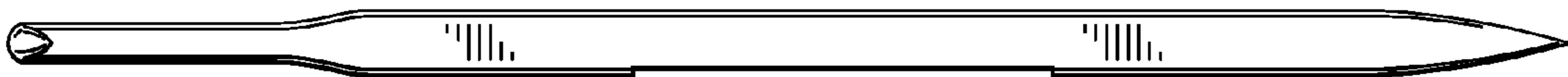
*FIG. 2.*



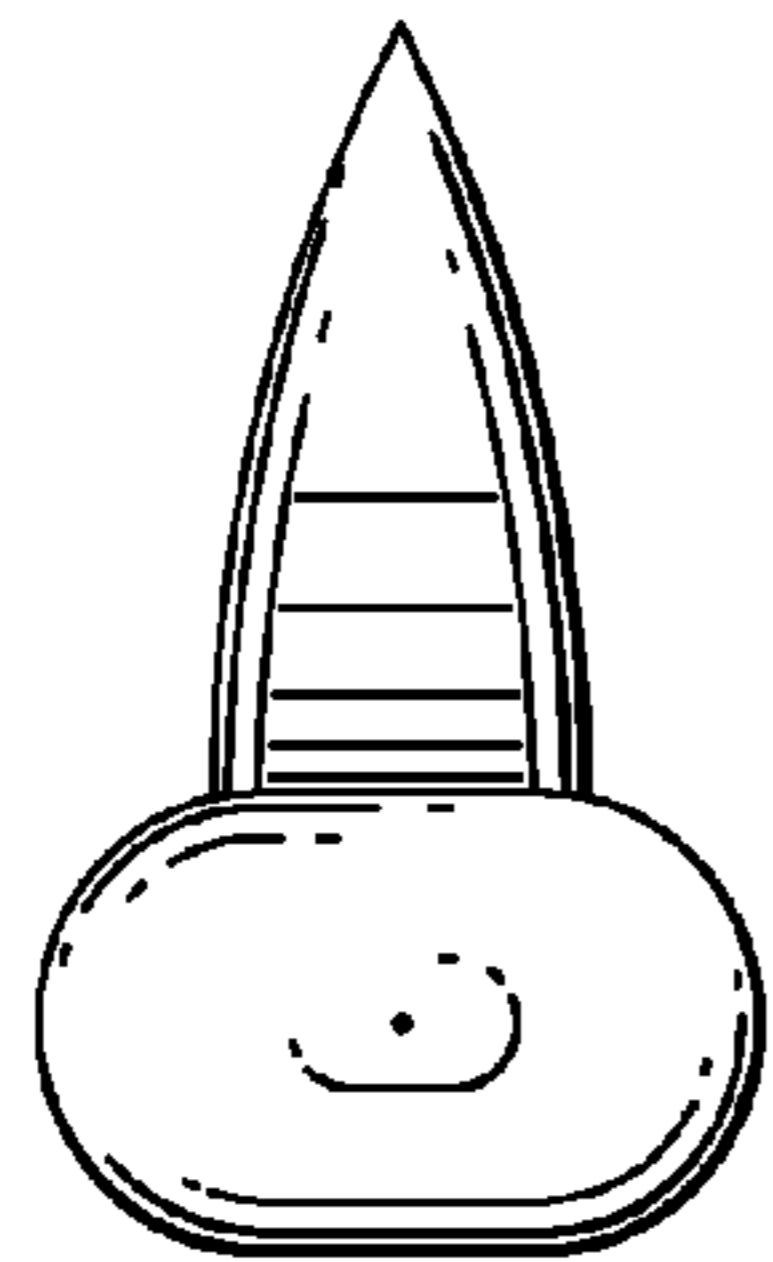
*FIG. 3.*



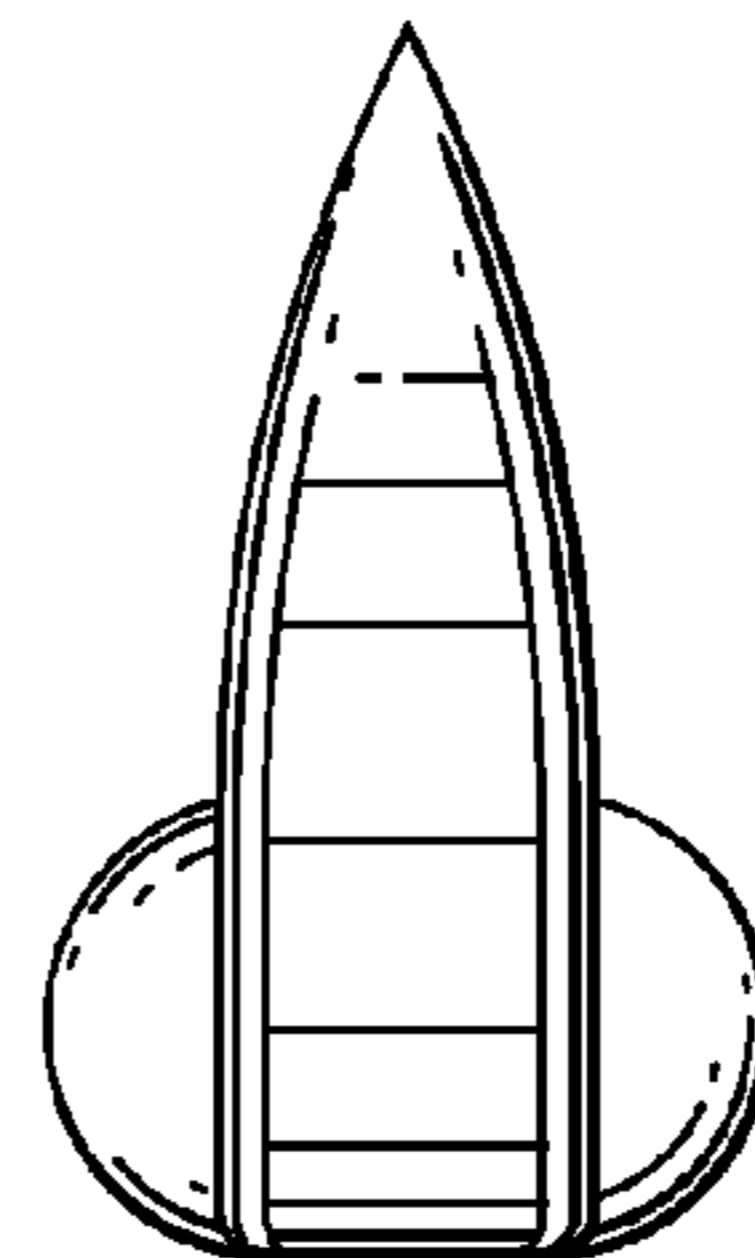
*FIG. 5.*



*FIG. 4.*



*FIG. 6.*



*FIG. 7.*