



US00D636118S

(12) **United States Design Patent**
Kim et al.

(10) **Patent No.:** **US D636,118 S**
(45) **Date of Patent:** **** Apr. 12, 2011**

(54) **LED LAMP MODULE**

(75) Inventors: **Eunhwa Kim**, Uiwang (KR); **Dong Nyung Lim**, Anyang (KR)

(73) Assignee: **LG Innotek Co., Ltd.**, Seoul (KR)

(**) Term: **14 Years**

(21) Appl. No.: **29/378,251**

(22) Filed: **Nov. 2, 2010**

Related U.S. Application Data

(62) Division of application No. 29/362,537, filed on May 27, 2010.

(30) **Foreign Application Priority Data**

Apr. 10, 2010 (KR) 30-2010-0015941
Apr. 10, 2010 (KR) 30-2010-0015943

(51) **LOC (9) Cl.** **26-99**

(52) **U.S. Cl.** **D26/138**

(58) **Field of Classification Search** D26/85,
D26/133, 134, 136, 122, 138, 118, 124, 69,
D26/68, 67, 71, 125, 149, 147, 156, 94, 73,
D26/32, 47, 57, 152, 74, 142, 2, 140, 60,
D26/51, 38, 135, 119; D8/71, 72, 395, 328;
D19/65, 90; 248/206.5, 389, 229.13, 229.15;
D32/8, 55, 58; 211/106, 119.01, 119.09,
211/85.15; 439/540.1; 362/183, 249.01–249.11,
362/356, 365, 523, 190, 191, 351, 352, 357,
362/358; D24/99, 327, 134, 227; D2/624;
24/316, 306, 339, 3.1, 3.11, 3.12; D6/557,
D6/462; 52/19, 28; 8/38; D14/511, 496

See application file for complete search history.

(56) **References Cited**

U.S. PATENT DOCUMENTS

D99,105 S * 3/1936 Arenberg D26/124
D107,554 S 12/1937 Sibbert

D246,677 S 12/1977 Nigg
D252,833 S * 9/1979 Bowser D26/85
4,617,615 A * 10/1986 Eychaner 362/216
D297,672 S 9/1988 Skegin
4,853,966 A * 8/1989 Skrzycki 381/395
4,985,815 A * 1/1991 Endo 362/294
5,051,875 A * 9/1991 Johnson 362/101
5,221,069 A * 6/1993 Struthers et al. 248/231.9
5,398,177 A * 3/1995 Harwood 362/270
D361,146 S 8/1995 Jandrisits et al.
5,486,988 A * 1/1996 Tyson 362/267

(Continued)

Primary Examiner — Cathron C Brooks

Assistant Examiner — Kevin K Rudzinski

(74) *Attorney, Agent, or Firm* — Park, Kim & Suh, LLC

(57) **CLAIM**

The ornamental design for an LED lamp module, as shown and described.

DESCRIPTION

FIG. 1 is a perspective view of an LED lamp module showing our new design;

FIG. 2 is a front view thereof;

FIG. 3 is a rear view thereof;

FIG. 4 is a left side view thereof, a right view being a mirror image of the left side view;

FIG. 5 is a top plan view thereof;

FIG. 6 is a bottom plan view thereof;

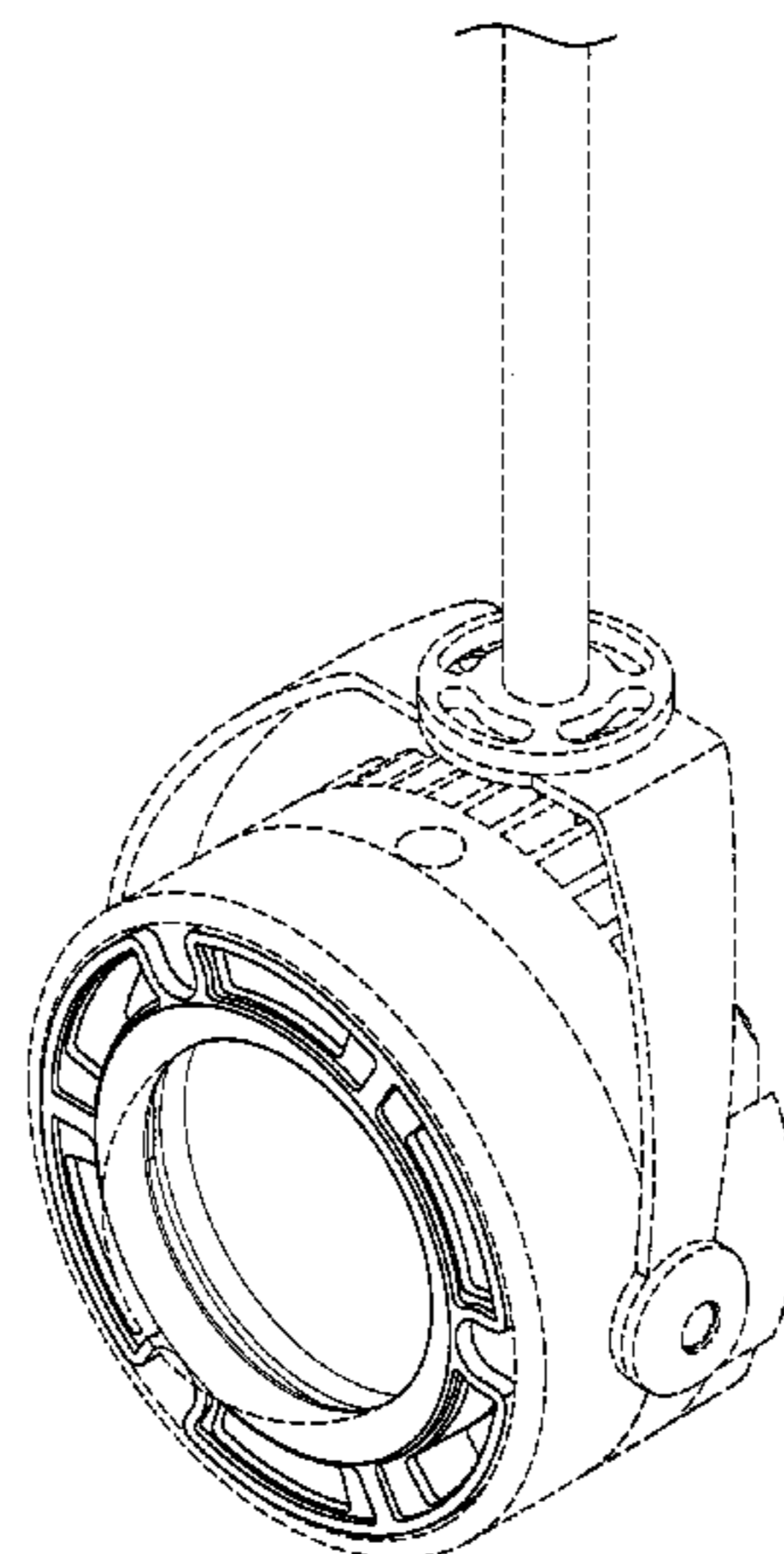
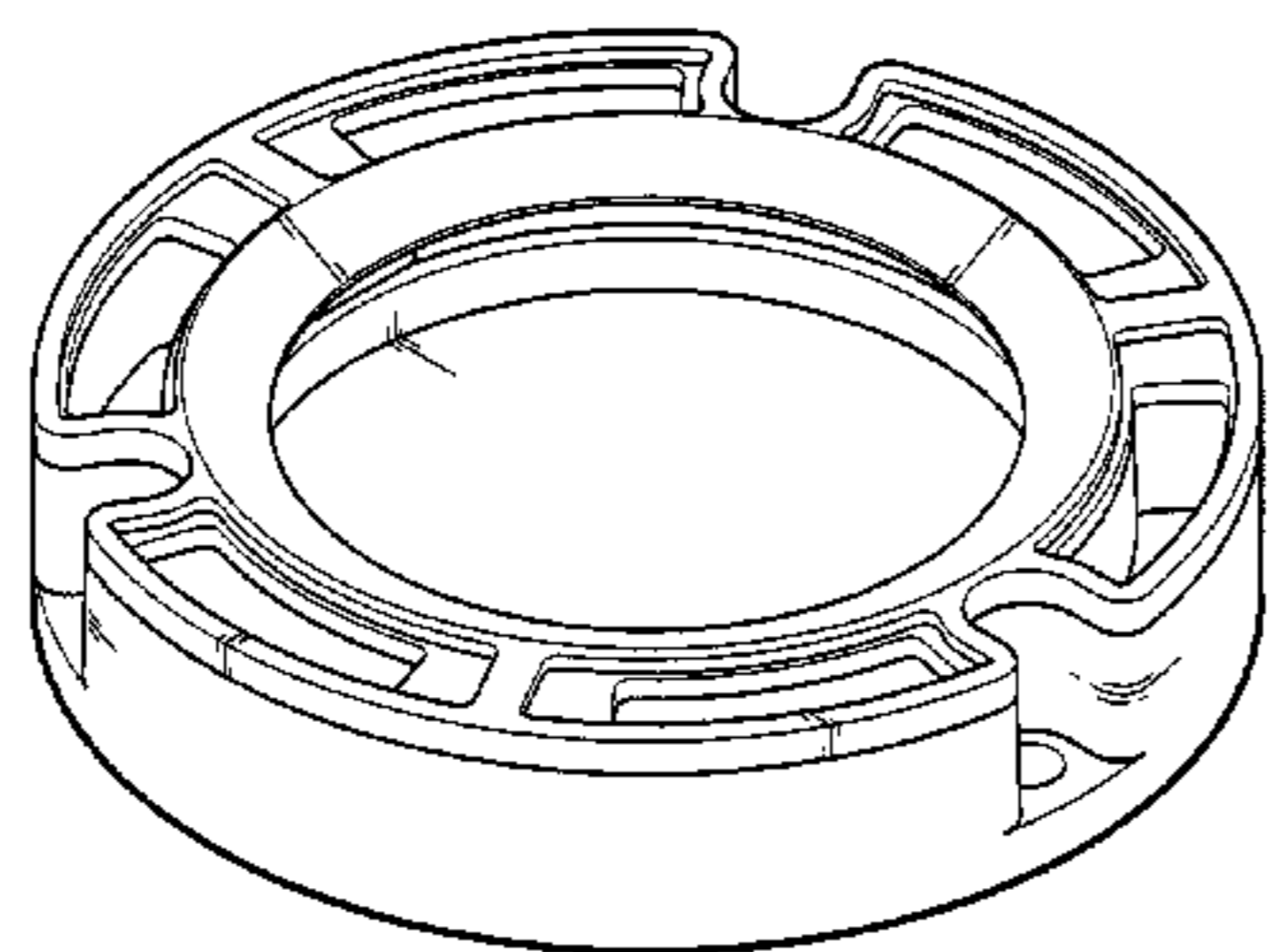
FIG. 7 is a cross-sectional view taken along line 7—7 in FIG. 5;

FIG. 8 is an exploded perspective view showing the LED lamp module shown in FIG. 1 in an environment of use with a lens; and,

FIG. 9 is a perspective view showing the LED lamp module shown in FIG. 1 in an environment use with an LED lamp.

The broken lines shown in the figures illustrate environmental structures and form no part of the claimed design.

1 Claim, 9 Drawing Sheets



US D636,118 S

Page 2

U.S. PATENT DOCUMENTS

D388,525	S	12/1997	Lowell et al.				
D416,349	S	11/1999	Pahl				
D417,027	S *	11/1999	Cece	D26/74			
D417,307	S	11/1999	Pahl				
6,019,493	A *	2/2000	Kuo et al.	362/335			
D437,654	S *	2/2001	Chen	D26/74			
D442,717	S	5/2001	Binsukor				
D459,823	S	7/2002	Kolbe				
D467,372	S *	12/2002	Lee	D26/35			
6,609,816	B2 *	8/2003	Ansari et al.	362/294			
D482,485	S *	11/2003	Benghozi	D26/85			
6,641,295	B1 *	11/2003	Hu	362/545			
6,756,905	B2 *	6/2004	Rattman et al.	340/630			
6,808,293	B2 *	10/2004	Watanabe et al.	362/244			
D509,617	S *	9/2005	Benghozi	D26/89			
D510,151	S	9/2005	Rashidi				
6,979,107	B1 *	12/2005	Benensohn	362/374			
7,217,022	B2 *	5/2007	Ruffin	362/554			
D562,492	S	2/2008	Chen				
D574,095	S *	7/2008	Hill et al.	D26/26			
7,553,040	B2 *	6/2009	Boothe et al.	362/101			
7,588,359	B2 *	9/2009	Coushaine et al.	362/555			
D606,690	S	12/2009	Orrom et al.				
D613,440	S	4/2010	Lindholm				
7,827,737	B2 *	11/2010	Ziobro et al.	52/19			
2004/0057251	A1 *	3/2004	Isaacson et al.	362/555			
2004/0066142	A1 *	4/2004	Stimac et al.	315/50			
2006/0067086	A1 *	3/2006	Hsu	362/544			
2006/0291206	A1 *	12/2006	Angelini et al.	362/244			
2008/0130308	A1 *	6/2008	Behr et al.	362/507			
2008/0203412	A1 *	8/2008	Shyu et al.	257/98			
2010/0127282	A1 *	5/2010	Harbers et al.	257/89			

* cited by examiner

FIG. 1

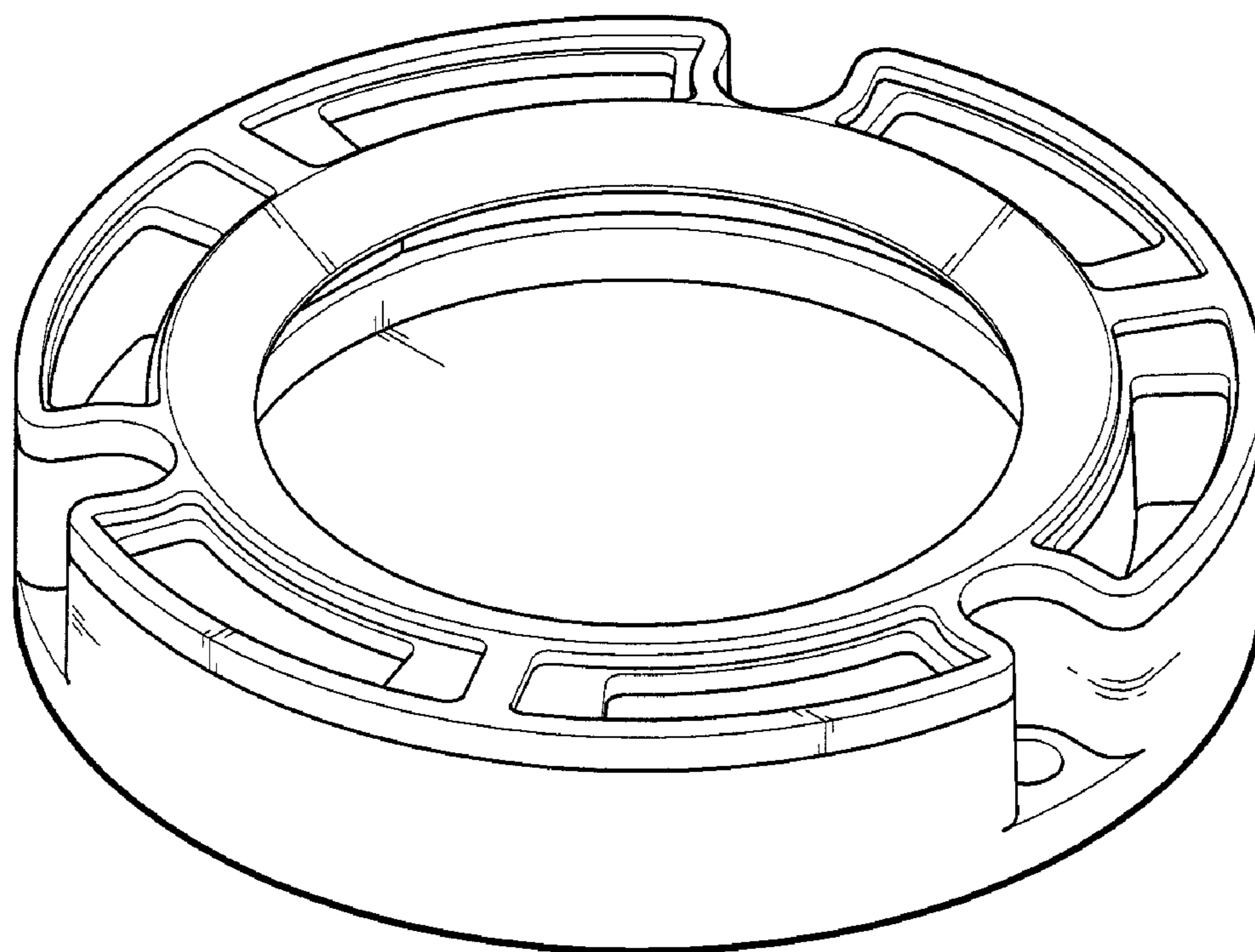


FIG. 2

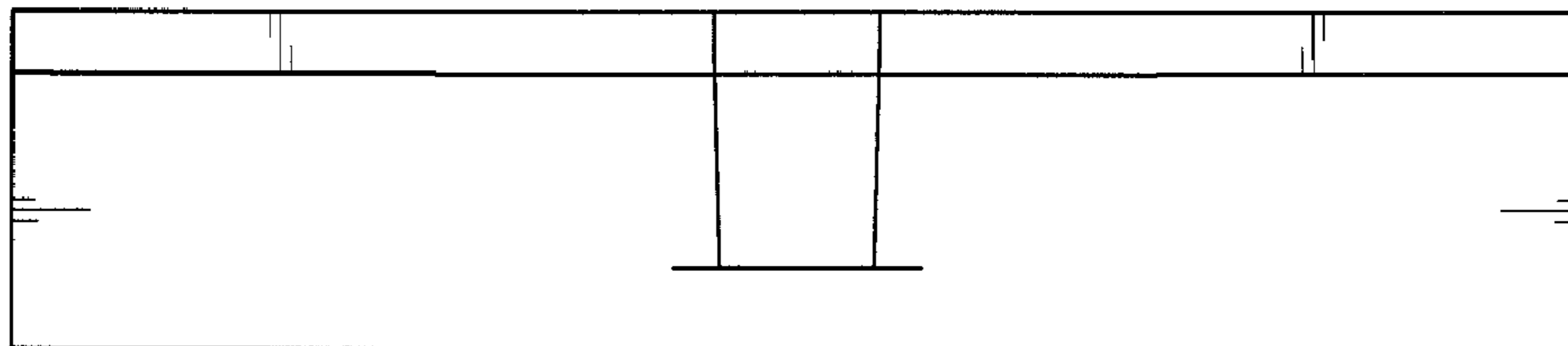


FIG. 3

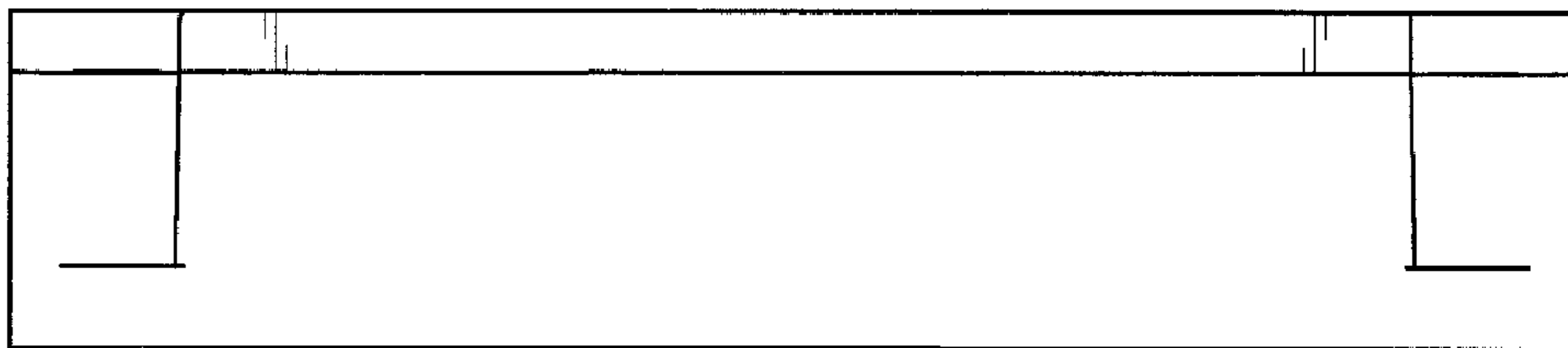


FIG. 4

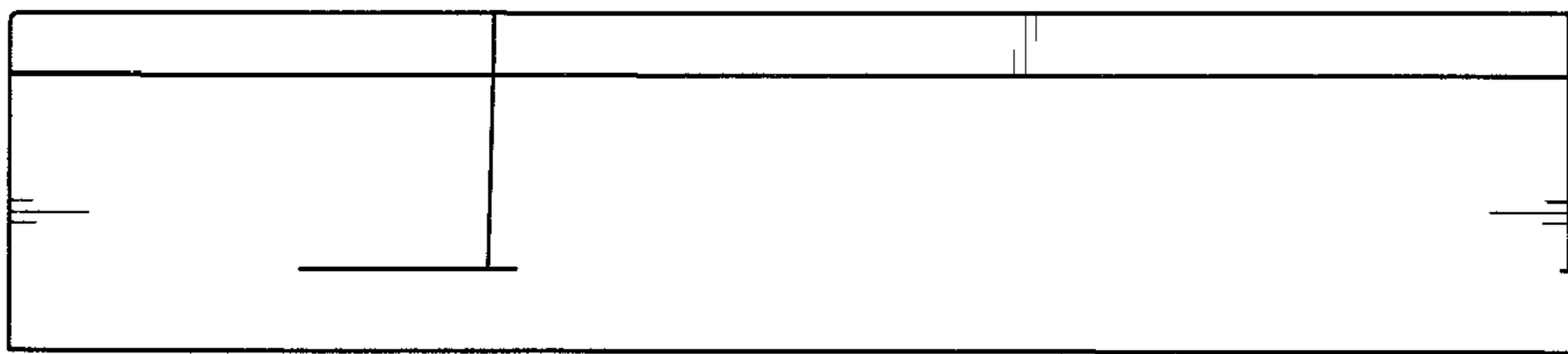


FIG. 5

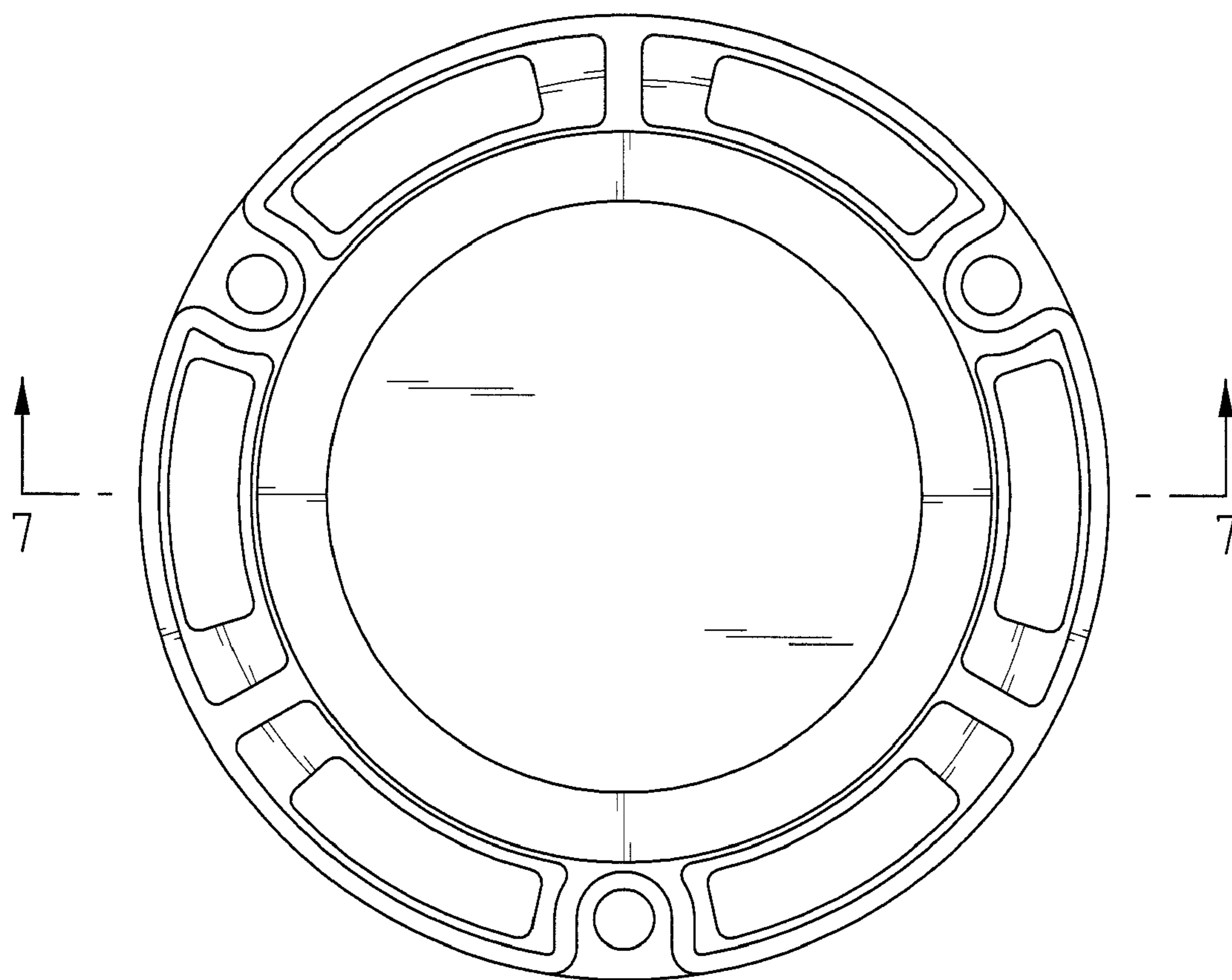


FIG. 6

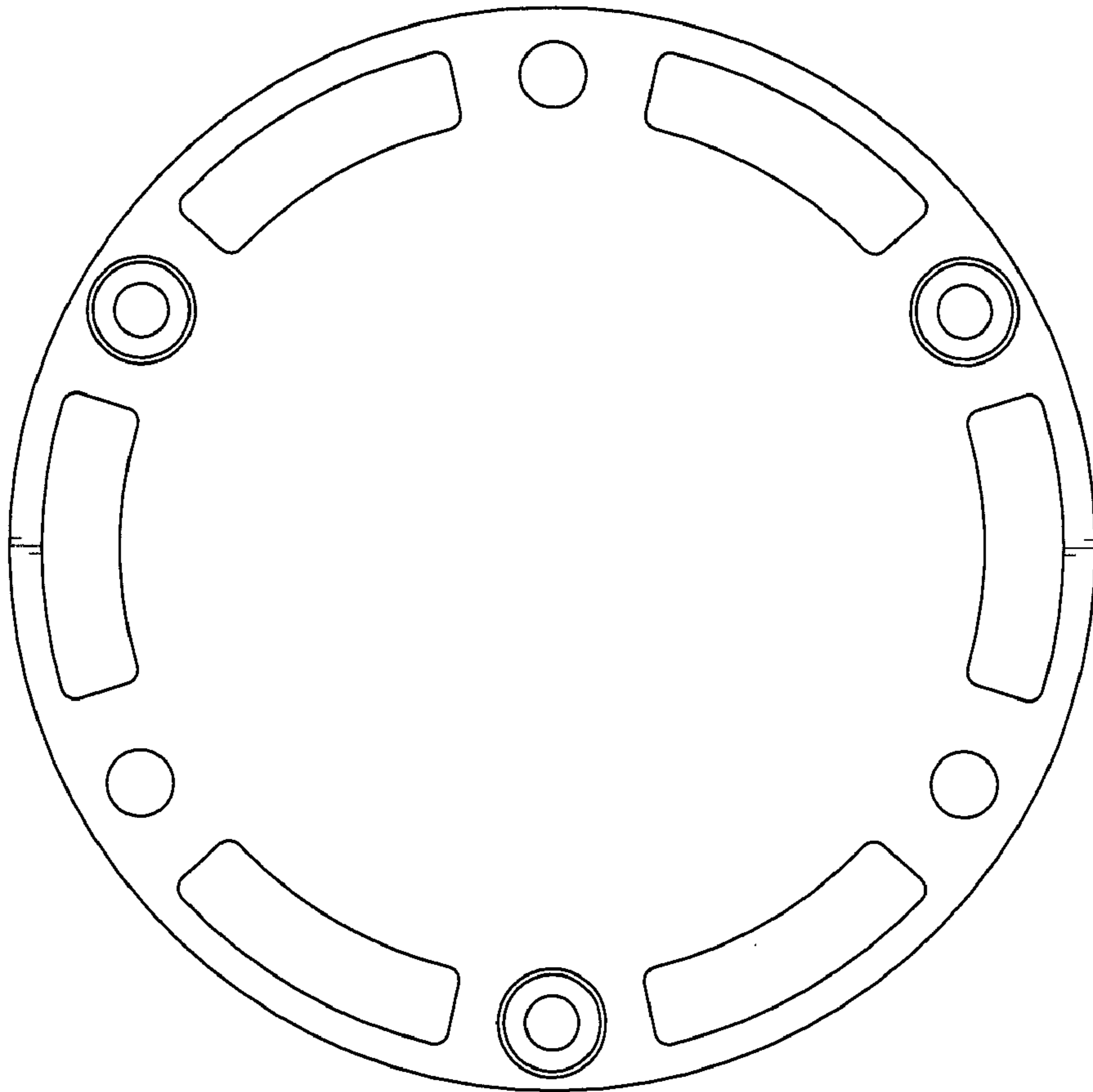


FIG. 7

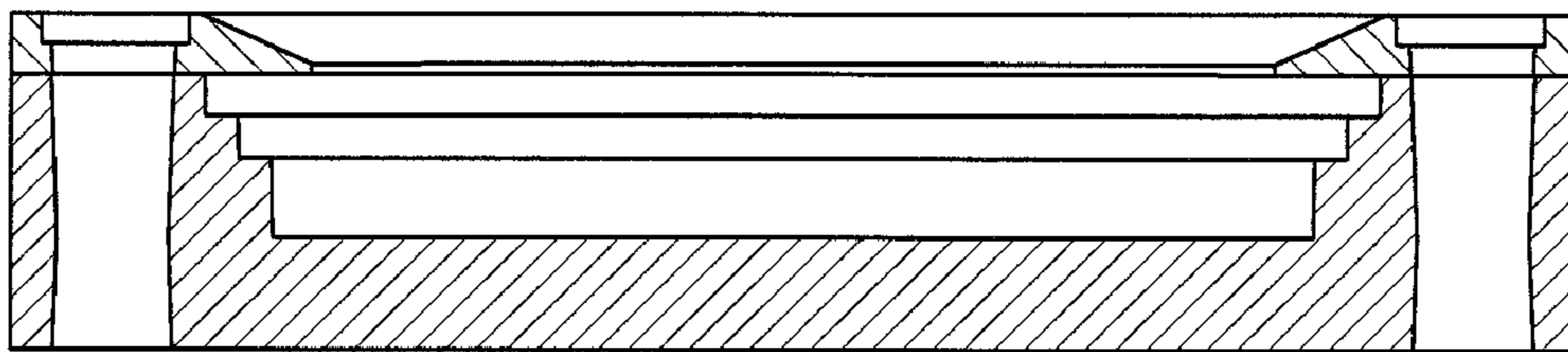


FIG. 8

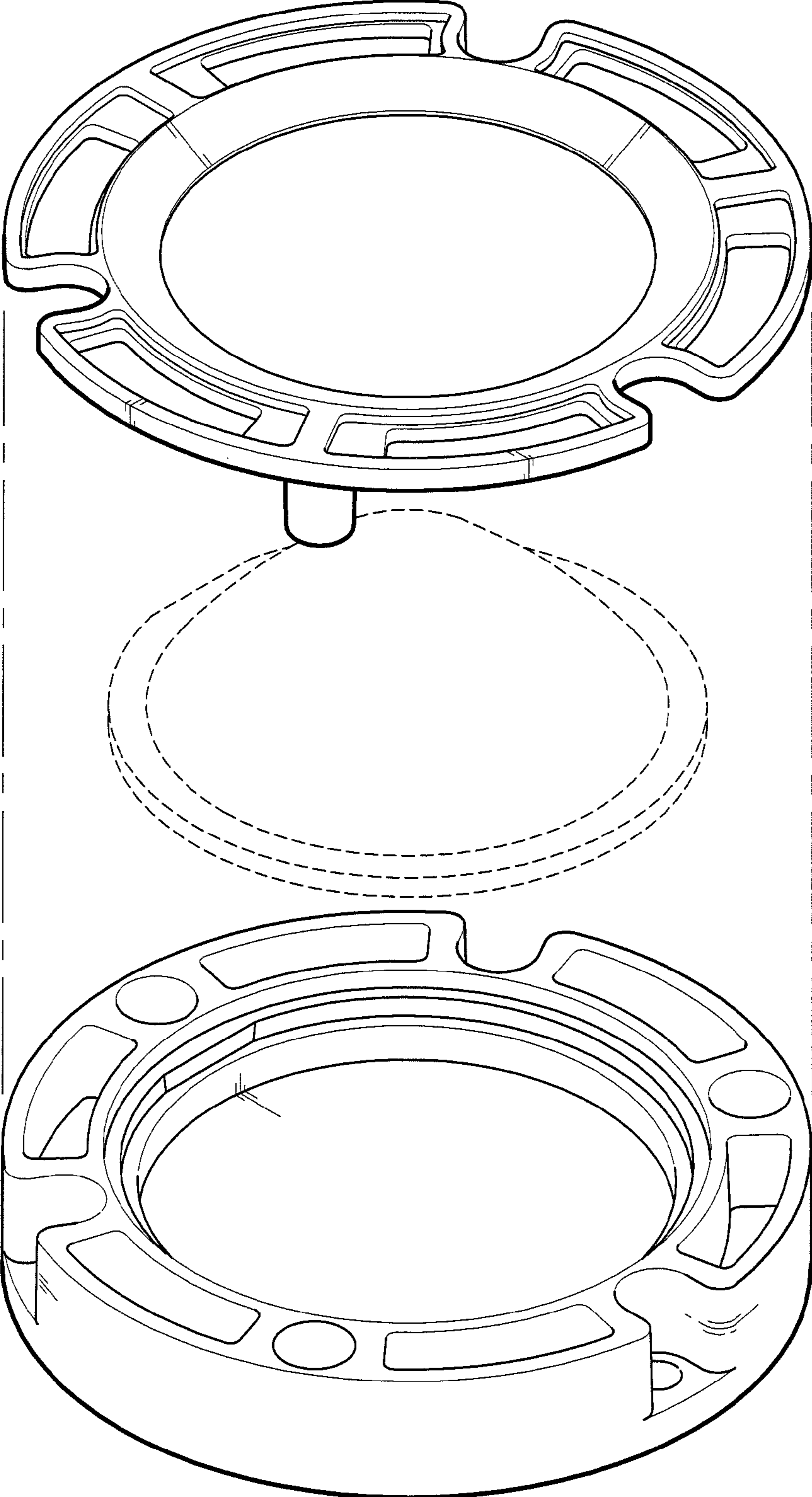


FIG. 9

