



US00D636117S

(12) **United States Design Patent**
Kim et al.

(10) **Patent No.:** **US D636,117 S**

(45) **Date of Patent:** **** Apr. 12, 2011**

(54) **LED LAMP MODULE**

(75) Inventors: **Eunhwa Kim**, Uiwang (KR); **Dong Nyung Lim**, Anyang (KR)

(73) Assignee: **LG Innotek Co., Ltd.**, Seoul (KR)

(**) Term: **14 Years**

(21) Appl. No.: **29/378,250**

(22) Filed: **Nov. 2, 2010**

Related U.S. Application Data

(62) Division of application No. 29/362,534, filed on May 27, 2010.

(30) **Foreign Application Priority Data**

Apr. 10, 2010 (KR) 30-2010-0015944
Apr. 10, 2010 (KR) 30-2010-0015945

(51) **LOC (9) Cl.** **26-99**

(52) **U.S. Cl.** **D26/138**

(58) **Field of Classification Search** D26/85,
D26/133, 134, 136, 122, 138, 118, 124, 69,
D26/68, 67, 71, 125, 149, 147, 156, 94, 73,
D26/32, 47, 57, 152, 74, 142, 2, 140, 60,
D26/51, 38, 135, 119; D8/71, 72, 395, 328;
D19/65, 90; 248/206.5, 389, 229.13, 229.15;
D32/8, 55, 58; 211/106, 119.01, 119.09,
211/85.15; 439/540.1; 362/183, 249.01–249.11,
362/356, 365, 523, 190, 191, 351, 352, 357,
362/358; D24/99, 327, 134, 227; D2/624;
24/316, 306, 339, 3.1, 3.11, 3.12; D6/557,
D6/462; 52/19, 28; 8/38; D14/511, 496

See application file for complete search history.

(56) **References Cited**

U.S. PATENT DOCUMENTS

D99,105	S	*	3/1936	Arenberg	D26/124
D107,554	S		12/1937	Sibbert		
D246,677	S		12/1977	Nigg		
D252,833	S	*	9/1979	Bowser	D26/85
4,617,615	A	*	10/1986	Eychaner	362/216
D297,672	S		9/1988	Skegin		
4,853,966	A	*	8/1989	Skrzycki	381/395
4,985,815	A	*	1/1991	Endo	362/294
5,051,875	A	*	9/1991	Johnson	362/101
5,221,069	A	*	6/1993	Struthers et al.	248/231.9
5,398,177	A	*	3/1995	Harwood	362/270
D361,146	S		8/1995	Jandrisits et al.		
5,486,988	A	*	1/1996	Tyson	362/267

(Continued)

Primary Examiner — Cathron C Brooks

Assistant Examiner — Kevin K Rudzinski

(74) *Attorney, Agent, or Firm* — Park, Kim & Suh, LLC

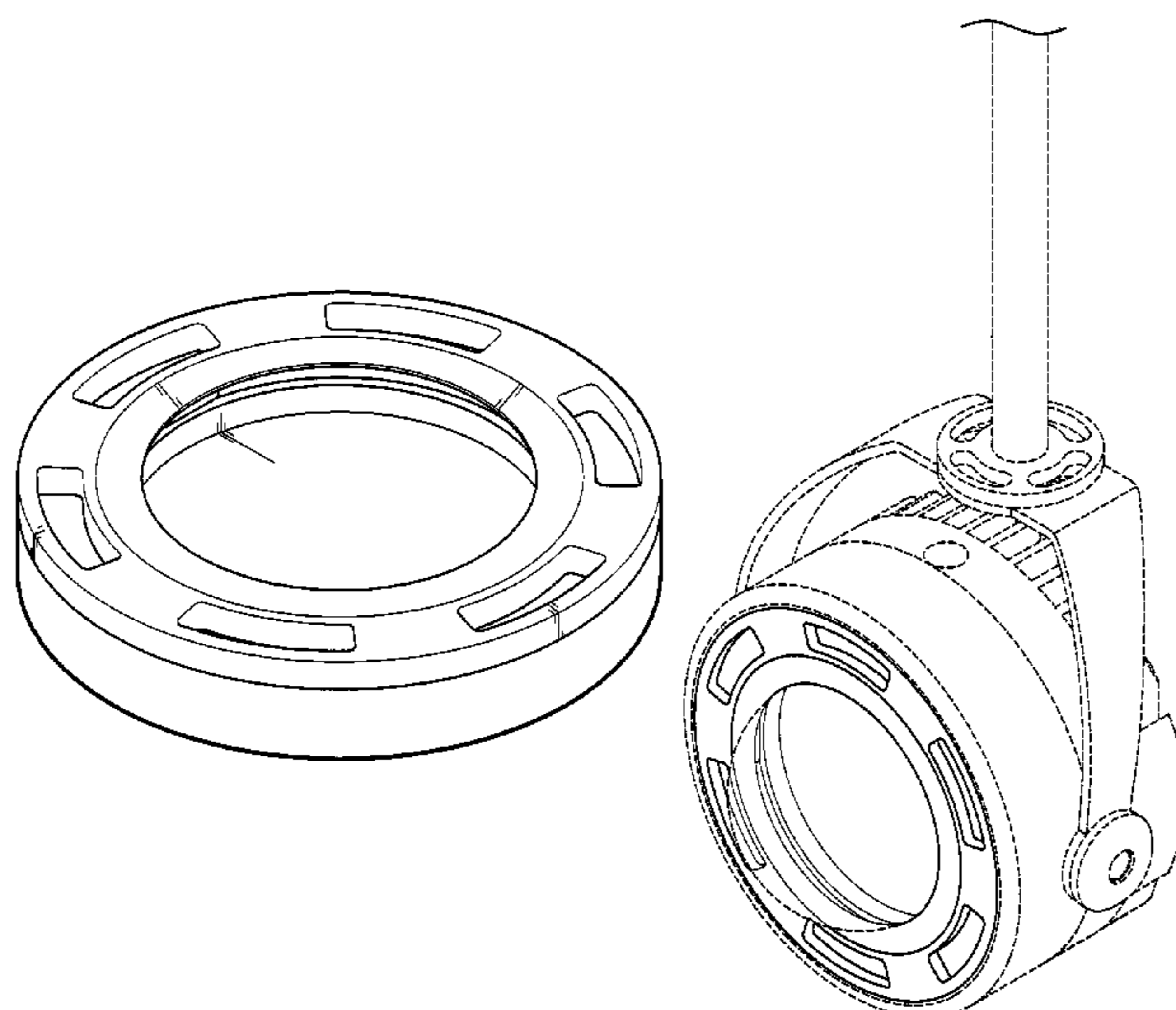
(57) **CLAIM**

The ornamental design for an LED lamp module, as shown and described.

DESCRIPTION

FIG. 1 is a perspective view of an LED lamp module showing our new design;
FIG. 2 is a front view thereof, a rear view being identical with the front view;
FIG. 3 is a left side view thereof, a right view being a mirror image of the left side view;
FIG. 4 is a top plan view thereof;
FIG. 5 is a bottom plan view thereof;
FIG. 6 is a cross-sectional view taken along line 6—6 in FIG. 4;
FIG. 7 is an exploded perspective view showing the LED lamp module shown in FIG. 1 in an environment of use with a lens; and,
FIG. 8 is a perspective view showing the LED lamp module shown in FIG. 1 in an environment use with an LED lamp.
The broken lines shown in the figures illustrate environmental structure and form no part of the claimed design.

1 Claim, 8 Drawing Sheets



US D636,117 S

Page 2

U.S. PATENT DOCUMENTS

D388,525	S	12/1997	Lowell et al.						
D416,349	S	11/1999	Pahl						
D417,027	S *	11/1999	Cece	D26/74					
D417,307	S	11/1999	Pahl						
6,019,493	A *	2/2000	Kuo et al.	362/335					
D437,654	S *	2/2001	Chen	D26/74					
D442,717	S	5/2001	Binsukor						
D459,823	S	7/2002	Kolbe						
D467,372	S *	12/2002	Lee	D26/35					
6,609,816	B2 *	8/2003	Ansari et al.	362/294					
D482,485	S *	11/2003	Benghozi	D26/85					
6,641,295	B1 *	11/2003	Hu	362/545					
6,756,905	B2 *	6/2004	Rattman et al.	340/630					
6,808,293	B2 *	10/2004	Watanabe et al.	362/244					
D509,617	S *	9/2005	Benghozi	D26/89					
D510,151	S	9/2005	Rashidi						
6,979,107	B1 *	12/2005	Benensohn	362/374					
7,217,022	B2 *	5/2007	Ruffin	362/554					
D562,492	S	2/2008	Chen						
D574,095	S *	7/2008	Hill et al.	D26/26					
7,553,040	B2 *	6/2009	Boothe et al.	362/101					
7,588,359	B2 *	9/2009	Coushaine et al.	362/555					
D606,690	S	12/2009	Orrom et al.						
D613,440	S	4/2010	Lindholm						
7,827,737	B2 *	11/2010	Ziobro et al.	52/19					
2004/0057251	A1 *	3/2004	Isaacson et al.	362/555					
2004/0066142	A1 *	4/2004	Stimac et al.	315/50					
2006/0067086	A1 *	3/2006	Hsu	362/544					
2006/0291206	A1 *	12/2006	Angelini et al.	362/244					
2008/0130308	A1 *	6/2008	Behr et al.	362/507					
2008/0203412	A1 *	8/2008	Shyu et al.	257/98					
2010/0127282	A1 *	5/2010	Harbers et al.	257/89					

* cited by examiner

FIG. 1

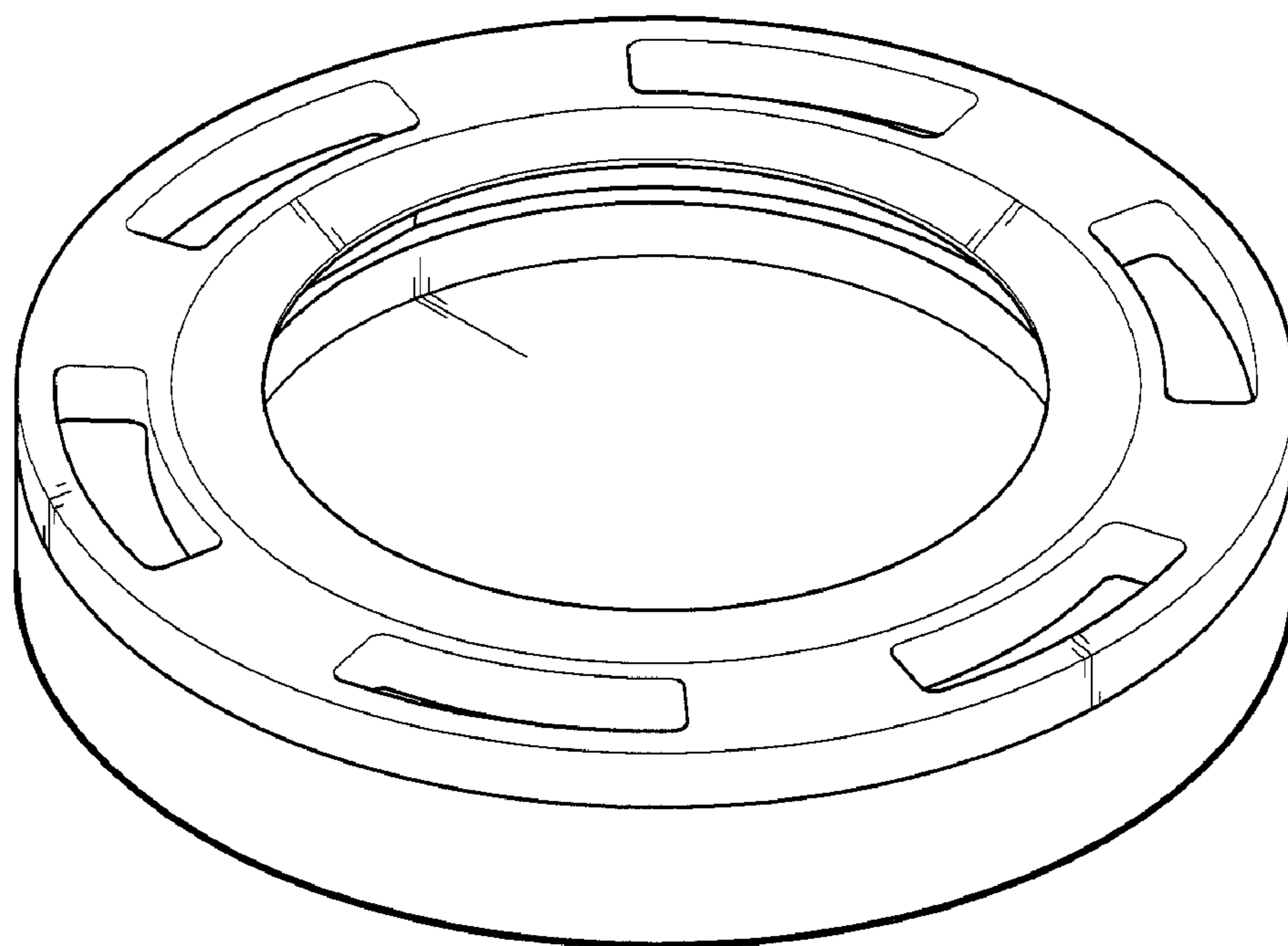


FIG. 2

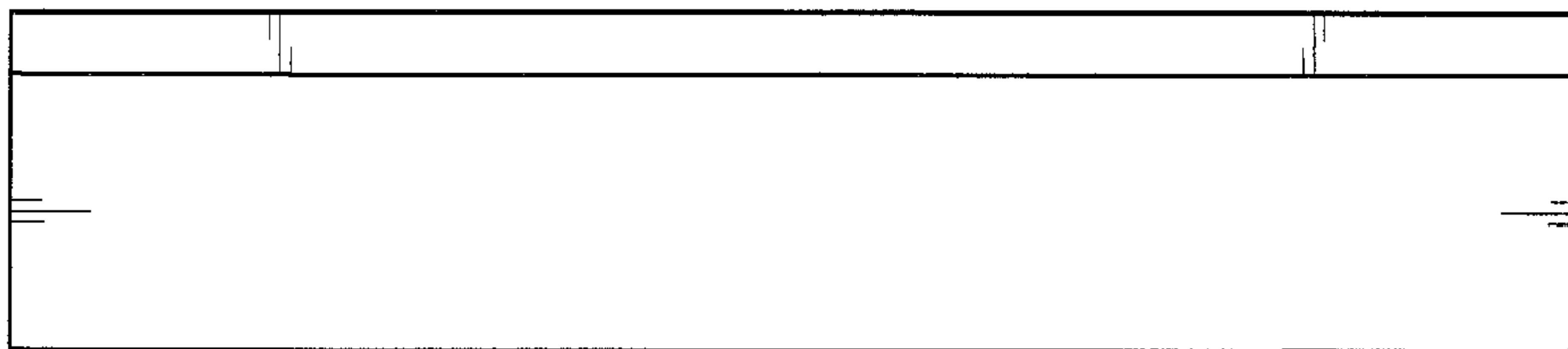


FIG. 3

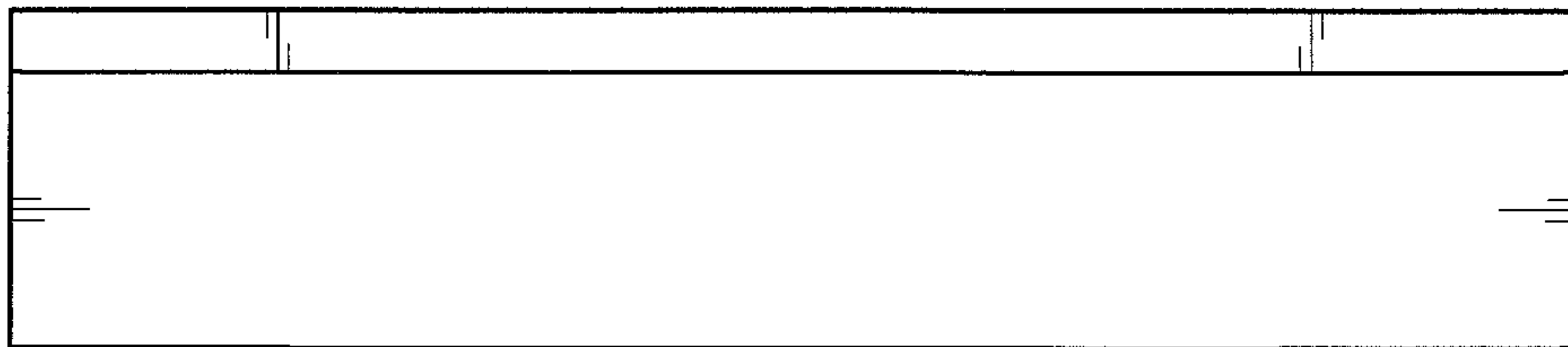


FIG. 4

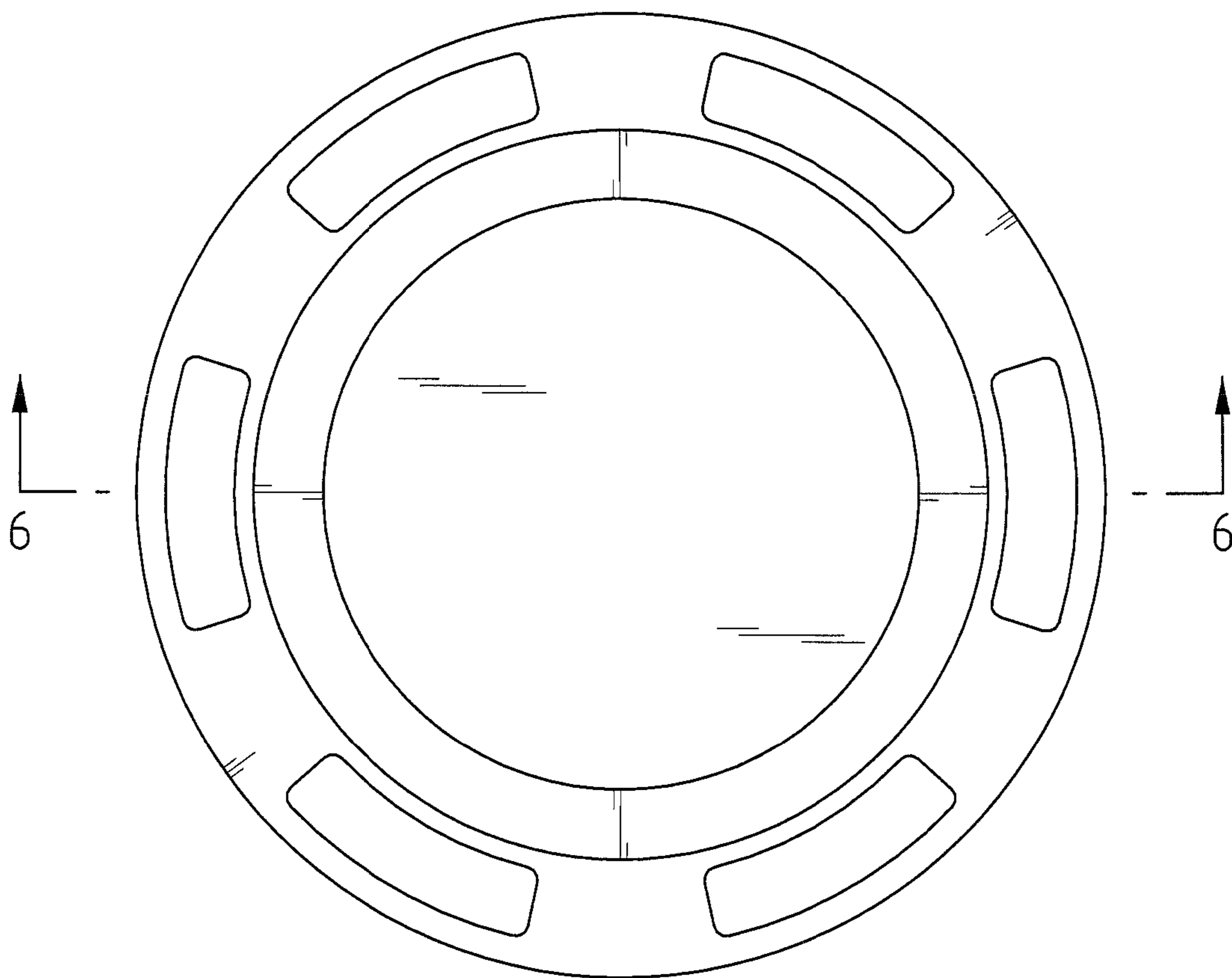


FIG. 5

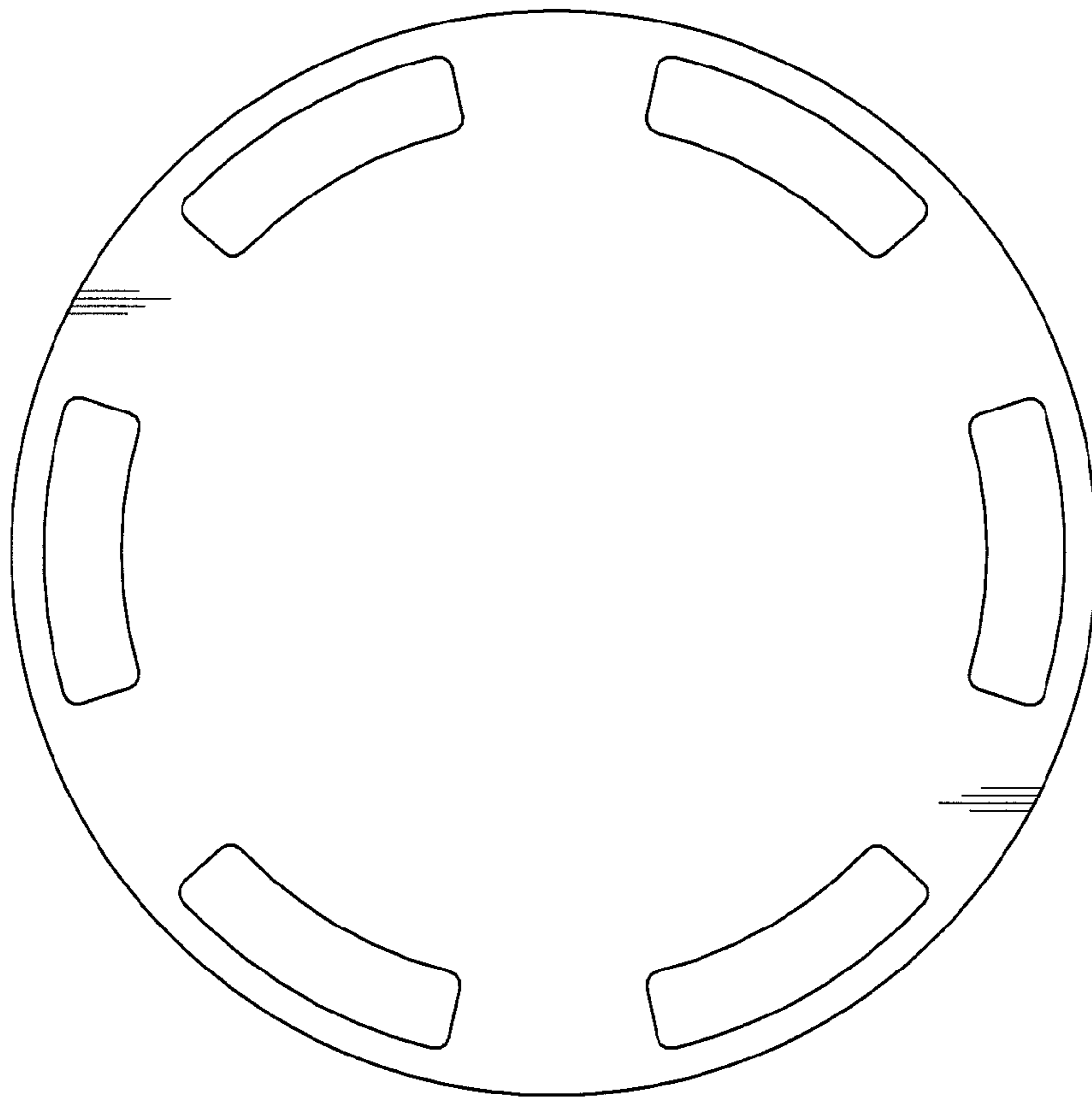


FIG. 6

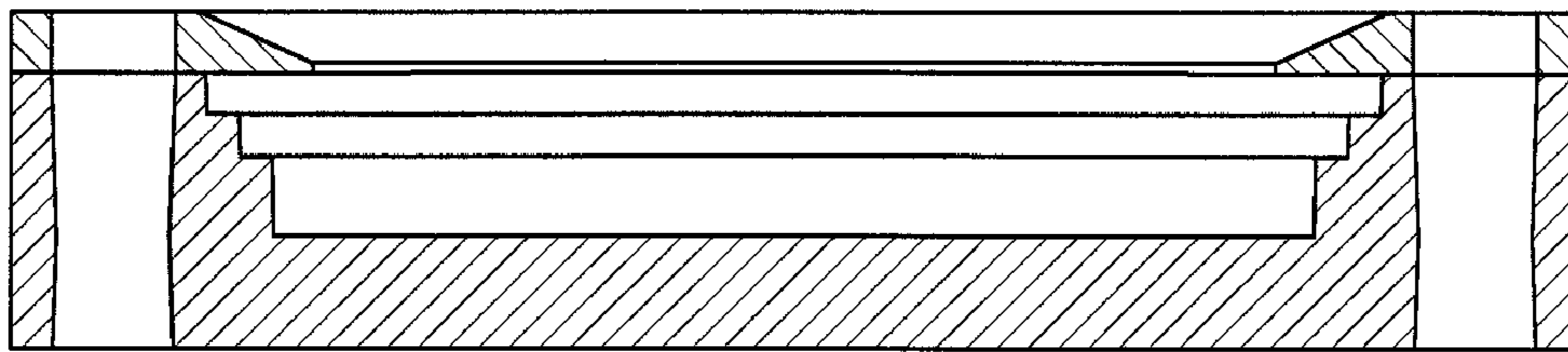


FIG. 7

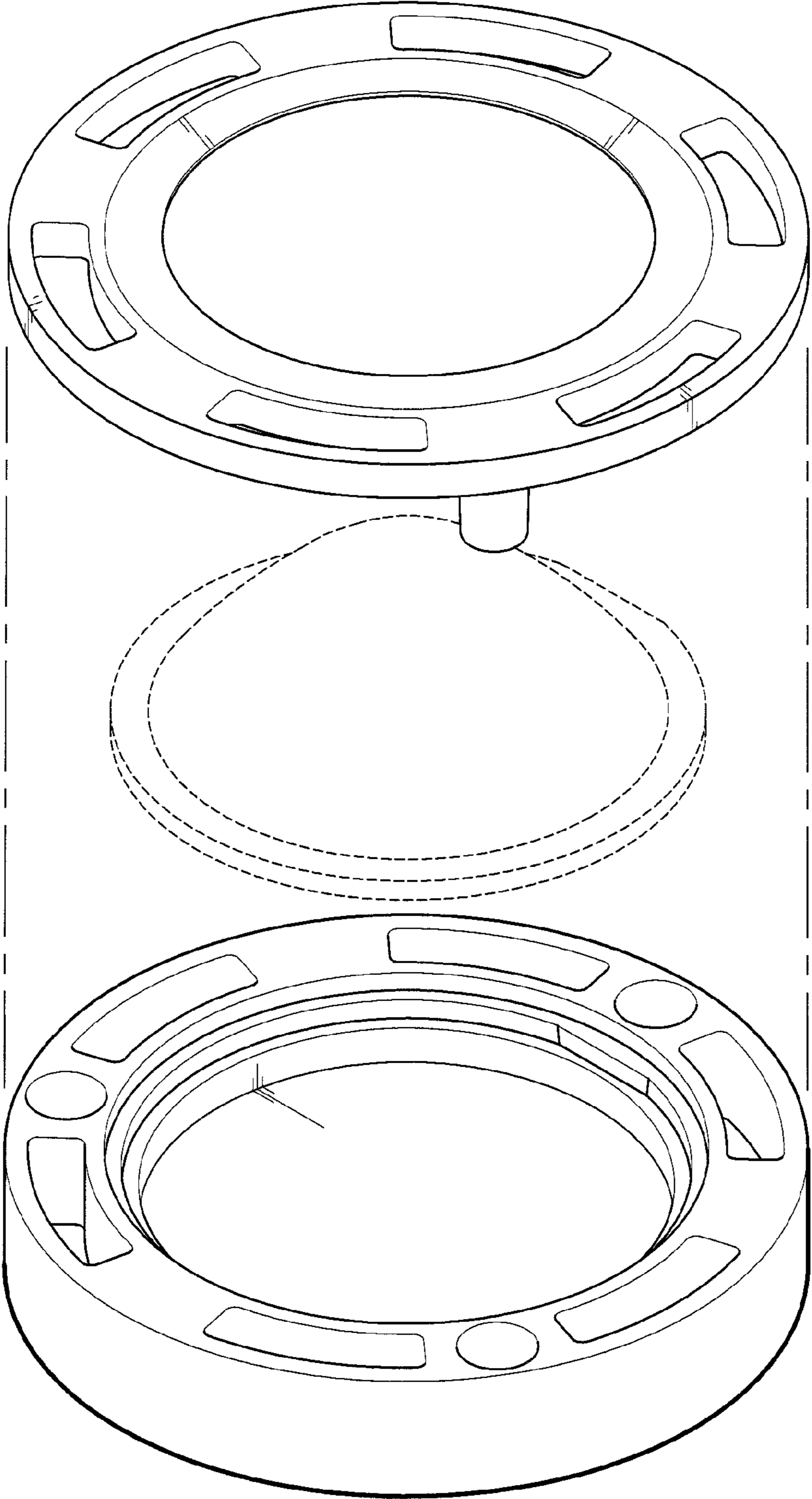


FIG. 8

