



US00D636116S

(12) **United States Design Patent**  
**Kim et al.**

(10) **Patent No.:** **US D636,116 S**

(45) **Date of Patent:** **\*\* Apr. 12, 2011**

(54) **LED LAMP MODULE**

(75) Inventors: **Eunhwa Kim**, Uiwang (KR); **Dong Nyung Lim**, Anyang (KR)

(73) Assignee: **LG Innotek Co., Ltd.**, Seoul (KR)

(\*\*) Term: **14 Years**

(21) Appl. No.: **29/362,538**

(22) Filed: **May 27, 2010**

(30) **Foreign Application Priority Data**

Apr. 10, 2010 (KR) ..... 30-2010-0015942

(51) **LOC (9) Cl.** ..... **26-99**

(52) **U.S. Cl.** ..... **D26/138**

(58) **Field of Classification Search** ..... D26/2,  
D26/118, 120, 129, 138, 63, 65, 128, 154,  
D26/119, 28, 155, 142, 121, 122, 152, 123,  
D26/124, 153, 130, 141, 92, 87, 93, 85, 145;  
D11/89, 90, 91, 92; 273/153 S, 160; 362/223,  
362/544, 240, 545; D9/529; D21/478, 479;  
D34/1; D7/509, 586; D13/134, 179, 180  
See application file for complete search history.

(56) **References Cited**

**U.S. PATENT DOCUMENTS**

D107,554 S *	12/1937	Sibbert	.....	D26/121
D246,677 S *	12/1977	Nigg	.....	D26/65
D297,672 S *	9/1988	Skegin	.....	D26/63
4,985,815 A *	1/1991	Endo	.....	362/294
5,398,177 A *	3/1995	Harwood	.....	362/270
D361,146 S *	8/1995	Jandrisits et al.	.....	D26/63
D388,525 S *	12/1997	Lowell et al.	.....	D26/63
D416,349 S *	11/1999	Pahl	.....	D26/118
D417,307 S *	11/1999	Pahl	.....	D26/118
D442,717 S *	5/2001	Binsukor	.....	D26/63
D459,823 S *	7/2002	Kolbe	.....	D26/63
6,609,816 B2 *	8/2003	Ansari et al.	.....	362/294

6,641,295 B1 *	11/2003	Hu	.....	362/545
6,756,905 B2 *	6/2004	Rattman et al.	.....	340/630
D510,151 S *	9/2005	Rashidi	.....	D26/74
7,217,022 B2 *	5/2007	Ruffin	.....	362/554
D562,492 S *	2/2008	Chen	.....	D26/85
7,357,537 B2 *	4/2008	Masuoka et al.	.....	362/346
7,588,359 B2 *	9/2009	Coushaine et al.	.....	362/555
D606,690 S *	12/2009	Orrom et al.	.....	D26/61
D613,440 S *	4/2010	Lindholm	.....	D26/63
2004/0057251 A1 *	3/2004	Isaacson et al.	.....	362/555
2004/0066142 A1 *	4/2004	Stimac et al.	.....	315/50
2006/0067086 A1 *	3/2006	Hsu	.....	362/544
2006/0291206 A1 *	12/2006	Angelini et al.	.....	362/244
2008/0130308 A1 *	6/2008	Behr et al.	.....	362/507
2010/0127282 A1 *	5/2010	Harbers et al.	.....	257/89

\* cited by examiner

*Primary Examiner* — Cathron C Brooks

*Assistant Examiner* — Kevin K Rudzinski

(74) *Attorney, Agent, or Firm* — Park, Kim & Suh, LLC

(57) **CLAIM**

The ornamental design for an LED lamp module, as shown and described.

**DESCRIPTION**

FIG. 1 is a perspective view of an LED lamp module showing our new design;

FIG. 2 is a front view thereof;

FIG. 3 is a rear view thereof;

FIG. 4 is a left side view thereof, a right side view being a mirror image of the left side view;

FIG. 5 is a top plan view thereof;

FIG. 6 is a bottom plan view thereof; and,

FIG. 7 is a perspective view showing the LED lamp module in an environment of use with an LED lamp.

The broken lines in the figures illustrate environmental structure and portions of the LED lamp module that form no part of the claimed invention. All surfaces shown void of shade lines in FIG. 5 is unclaimed subject matter.

**1 Claim, 7 Drawing Sheets**

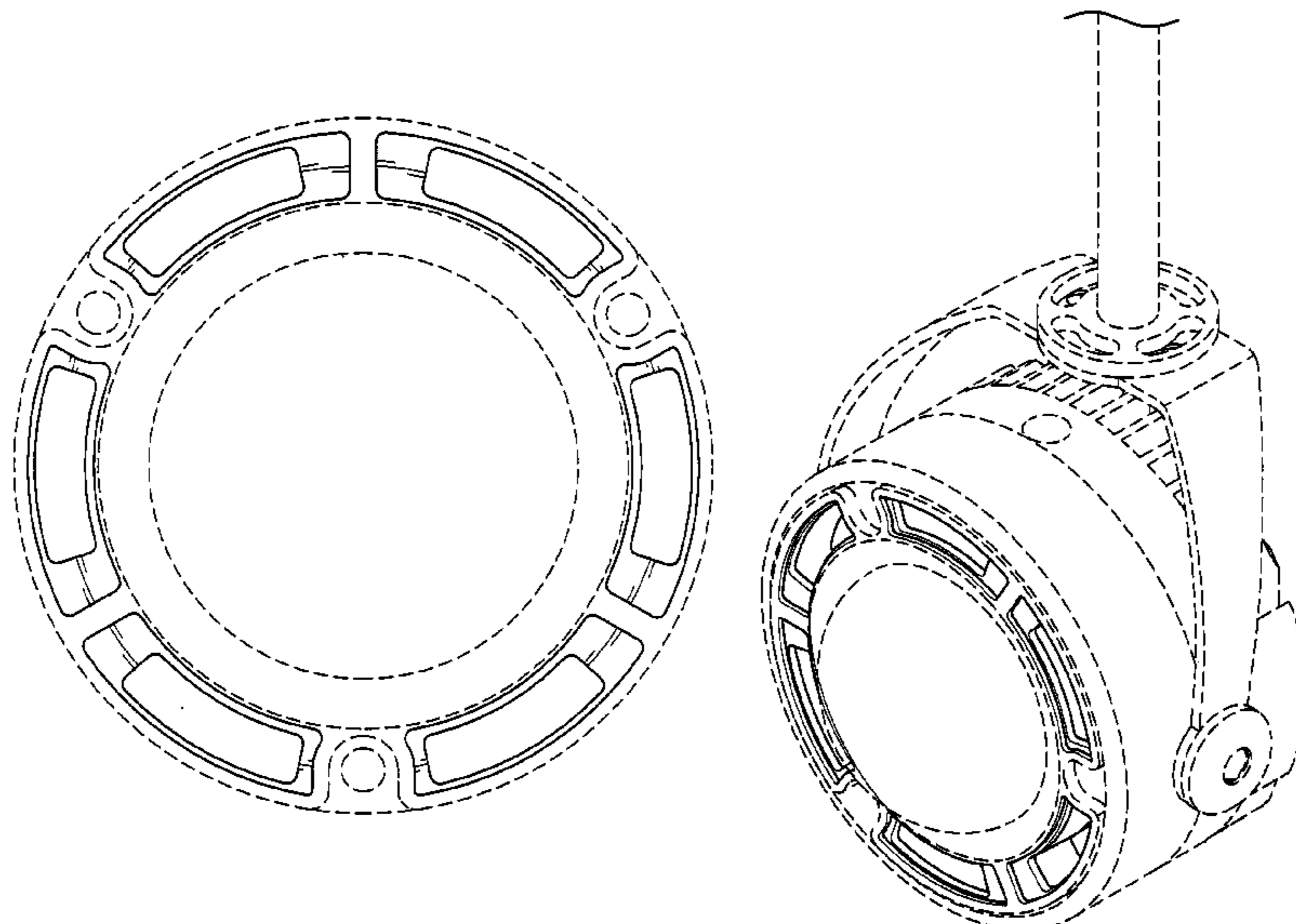


FIG. 1

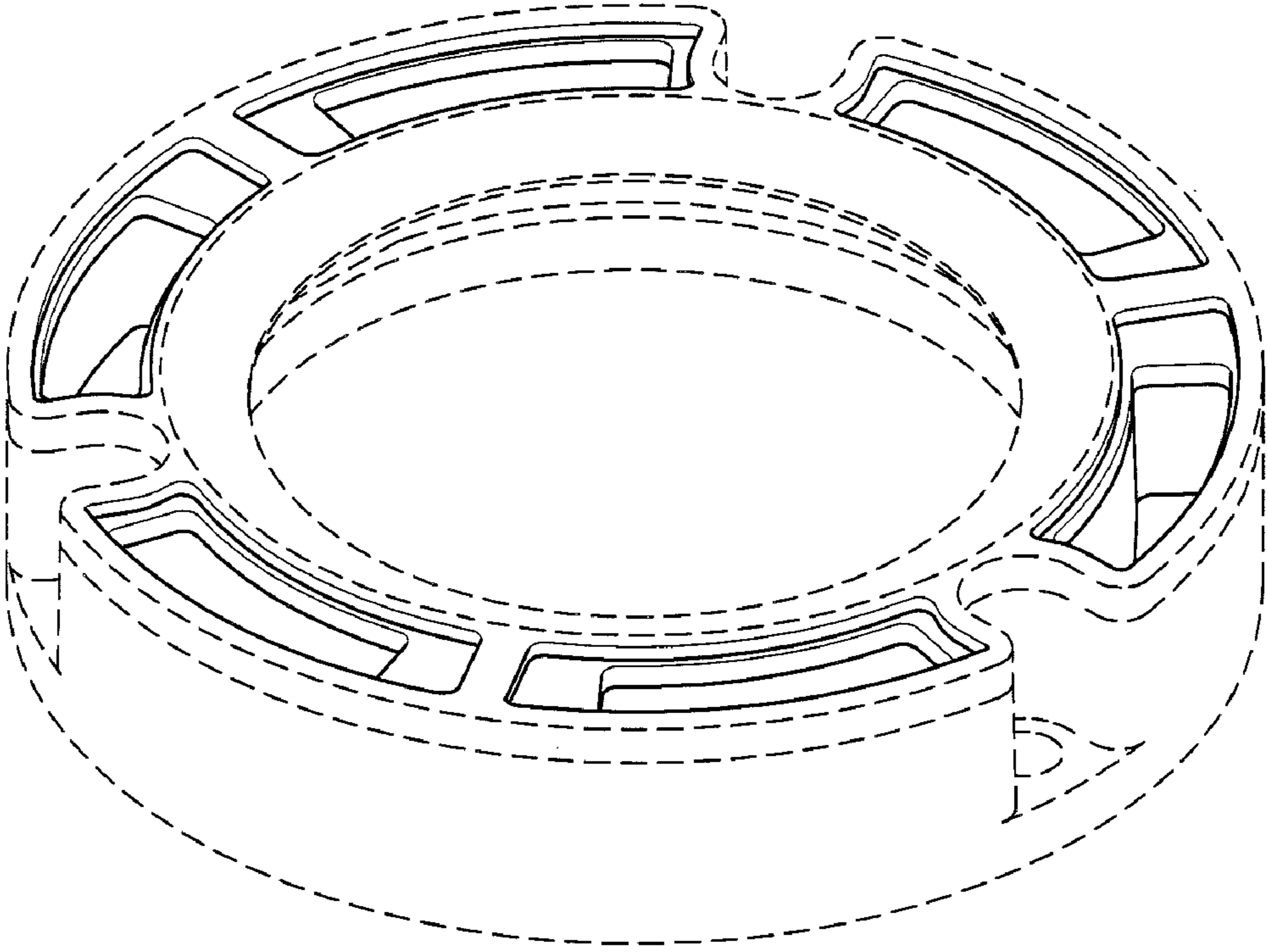


FIG. 2

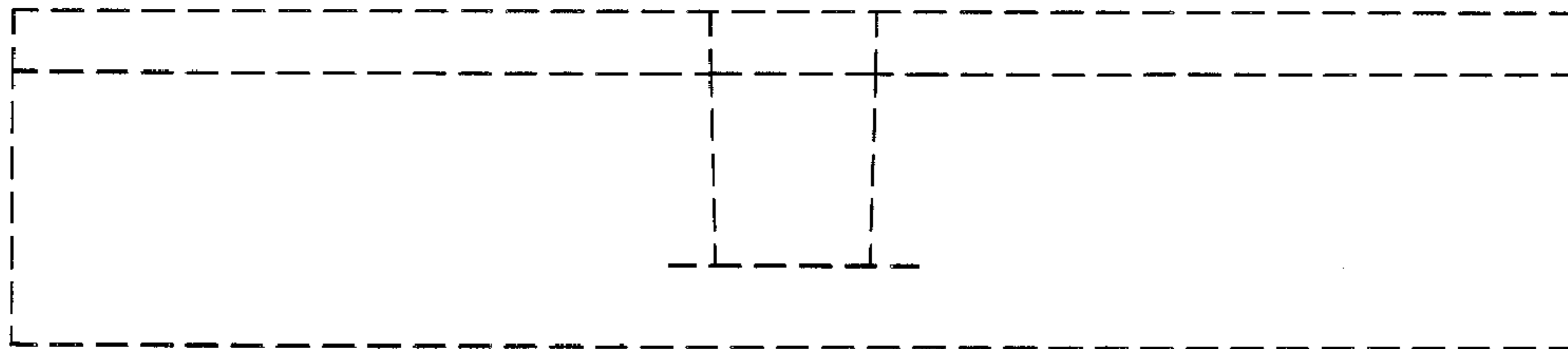


FIG. 3

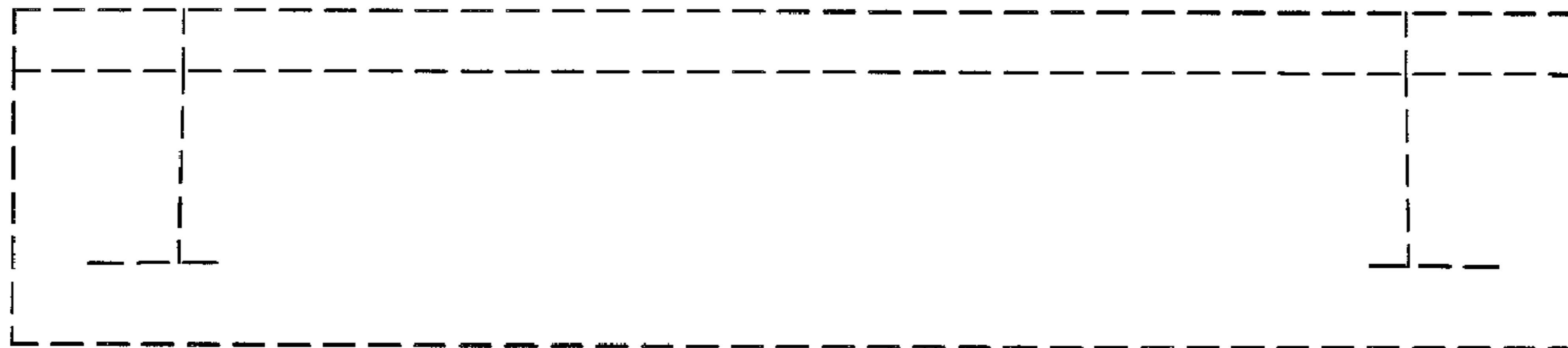


FIG. 4

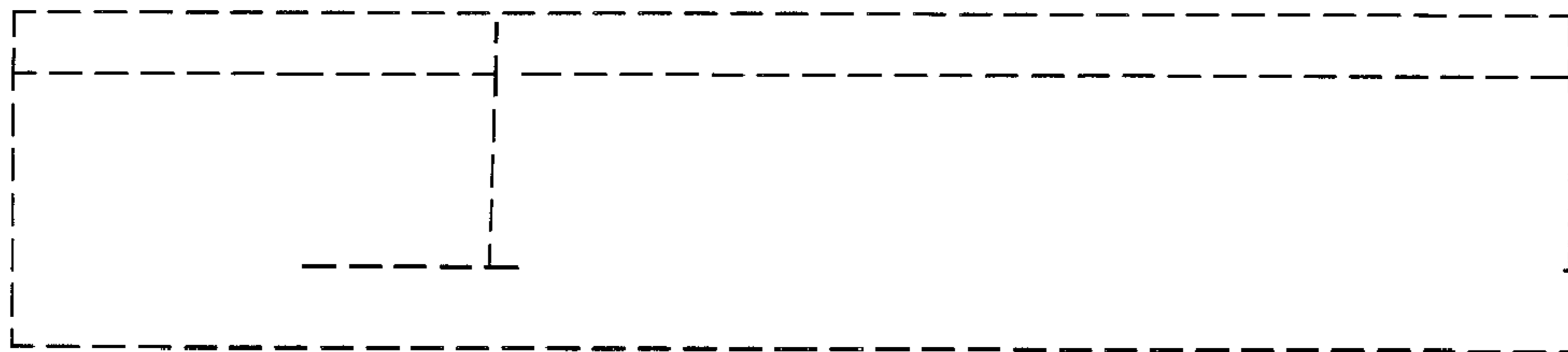


FIG. 5

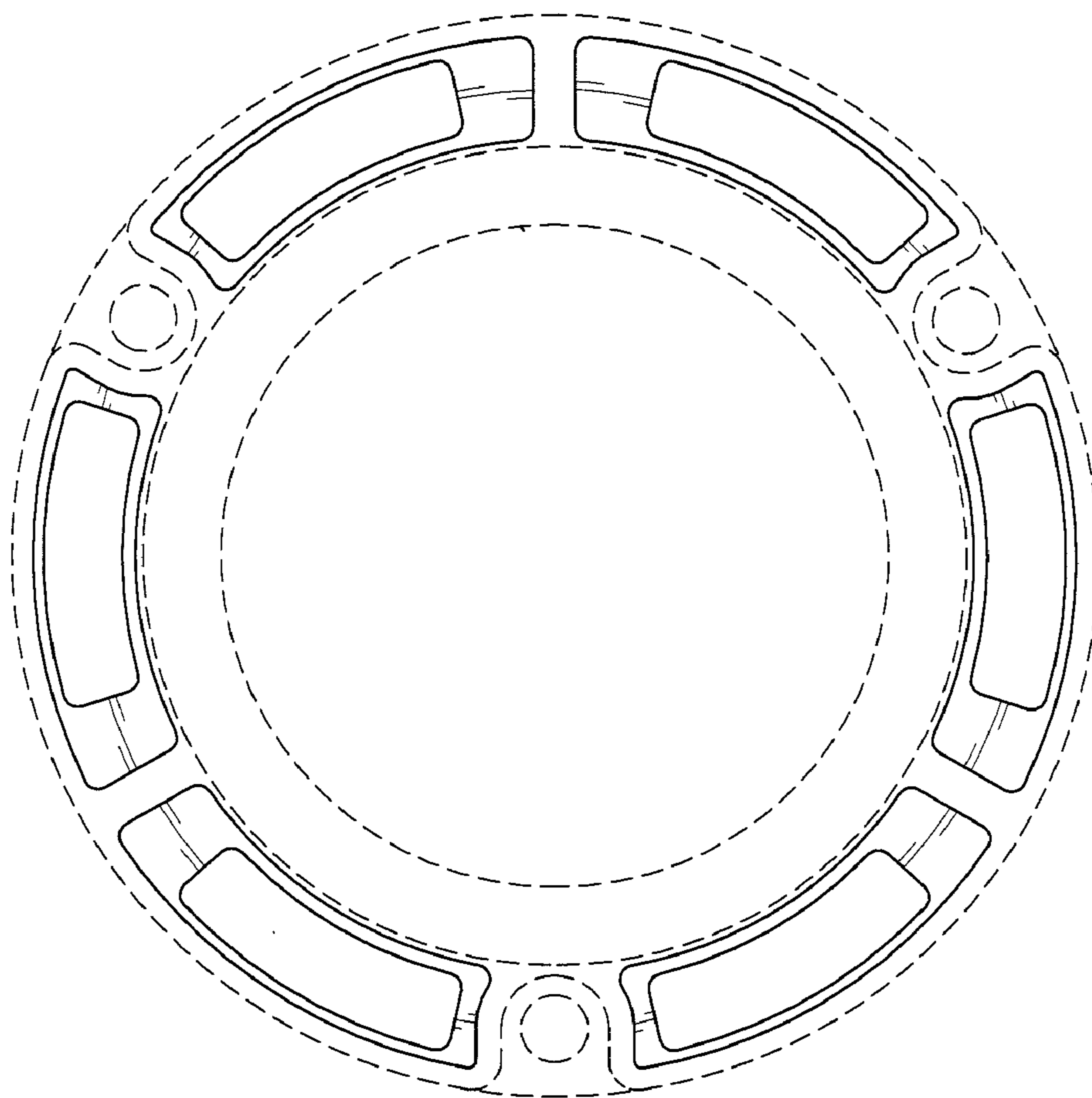


FIG. 6

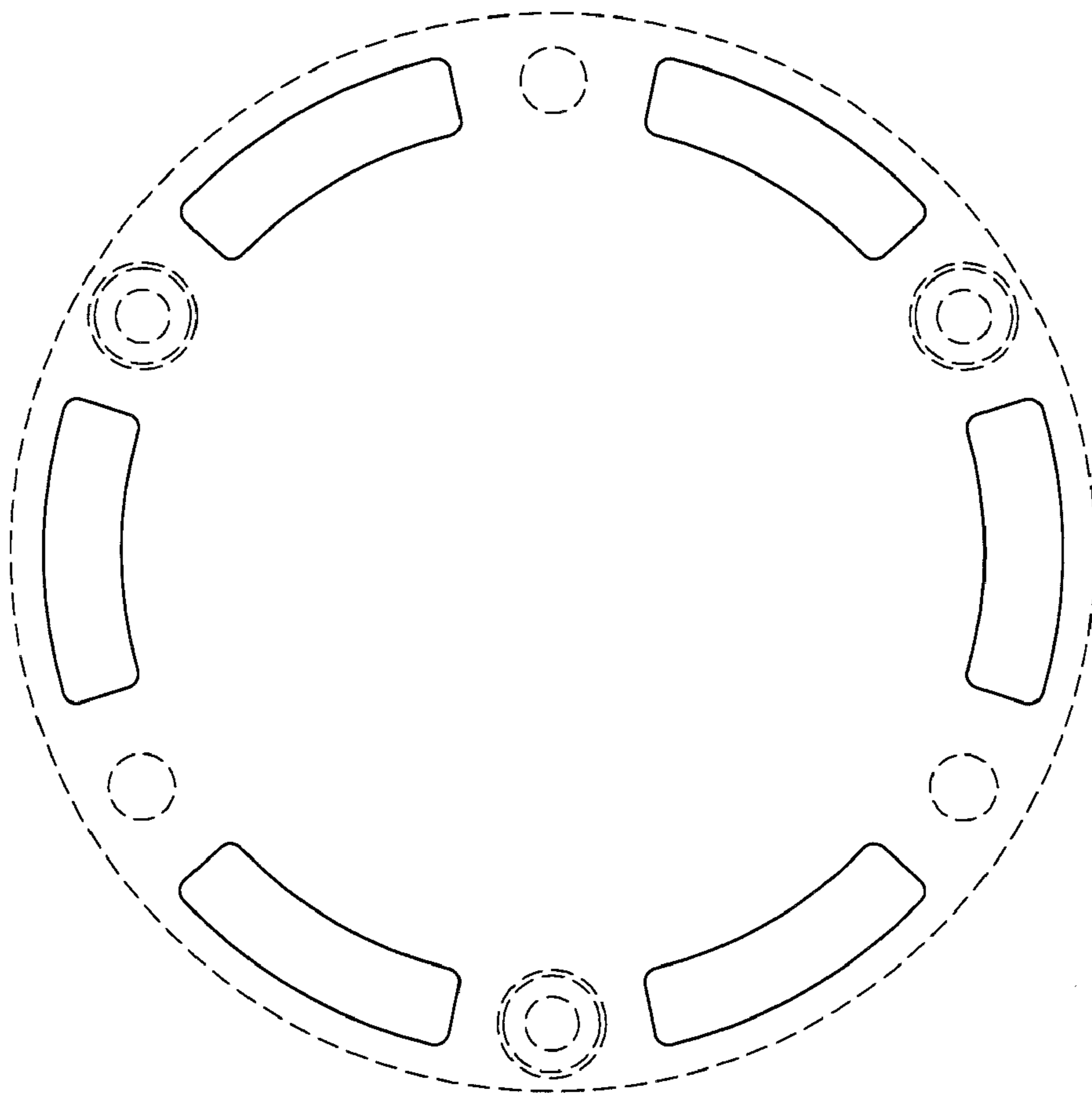


FIG. 7

