



US00D636112S

(12) **United States Design Patent**  
**Chung et al.**

(10) **Patent No.:** **US D636,112 S**

(45) **Date of Patent:** **\*\* \*Apr. 12, 2011**

(54) **LIGHTING FIXTURE**

(75) Inventors: **Casey Chung**, Bloomington, IL (US);  
**Michael T. Thornton**, Burr Ridge, IL  
(US); **Peter F. Thornton, Jr.**, Hinsdale,  
IL (US); **Edwin Vice, Jr.**, Chicago, IL  
(US); **Stephan Apetauer**, Munich (DE);  
**Thomas Moeker**, Munich (DE);  
**Burkhard Schlee**, Munich (DE); **Detlef  
Kiel**, Munich (DE)

(73) Assignee: **Focal Point, L.L.C.**, Chicago, IL (US)

(\*) Notice: This patent is subject to a terminal dis-  
claimer.

(\*\*) Term: **14 Years**

(21) Appl. No.: **29/336,303**

(22) Filed: **Apr. 30, 2009**

(51) **LOC (9) Cl.** ..... **26-99**

(52) **U.S. Cl.** ..... **D26/122**

(58) **Field of Classification Search** ..... D26/124,  
D26/123, 129, 130, 131, 120, 113, 152, 138,  
D26/72, 77, 81, 83, 139, 85, 71, 87, 26, 118,  
D26/125, 73, 9, 134, 84, 127, 63, 50, 119,  
D26/60, 67, 128, 88, 86, 141, 142, 145, 153,  
D26/154, 155, 76, 78, 122; 428/26; 362/147,  
362/351, 365, 350, 348, 335, 364, 235, 249.02,  
362/294, 345, 366, 249.1, 25, 240, 376, 221,  
362/223, 325, 342; D12/163, 193; D11/125,  
D11/121, 49, 117, 184; D1/106, 107; D23/366;  
D6/332

See application file for complete search history.

(56) **References Cited**

**U.S. PATENT DOCUMENTS**

2,339,100 A \* 1/1944 Netting ..... 362/219  
3,270,194 A \* 8/1966 Lee ..... 362/218  
D407,473 S \* 3/1999 Wimbock ..... D23/328  
5,988,829 A \* 11/1999 Holder ..... 362/223  
5,988,836 A \* 11/1999 Swarens ..... 362/364

6,523,974 B2 \* 2/2003 Engel ..... 362/224  
D477,891 S \* 7/2003 Fritze et al. .... D26/74  
D496,121 S \* 9/2004 Santoro ..... D26/74  
D545,483 S \* 6/2007 Mayfield et al. .... D26/118  
D553,781 S \* 10/2007 Pickard et al. .... D26/74  
2005/0281024 A1 \* 12/2005 Mayfield et al. .... 362/221

\* cited by examiner

*Primary Examiner* — Cathron C Brooks

*Assistant Examiner* — Kevin K Rudzinski

(74) *Attorney, Agent, or Firm* — Banner & Witcoff, Ltd.

(57) **CLAIM**

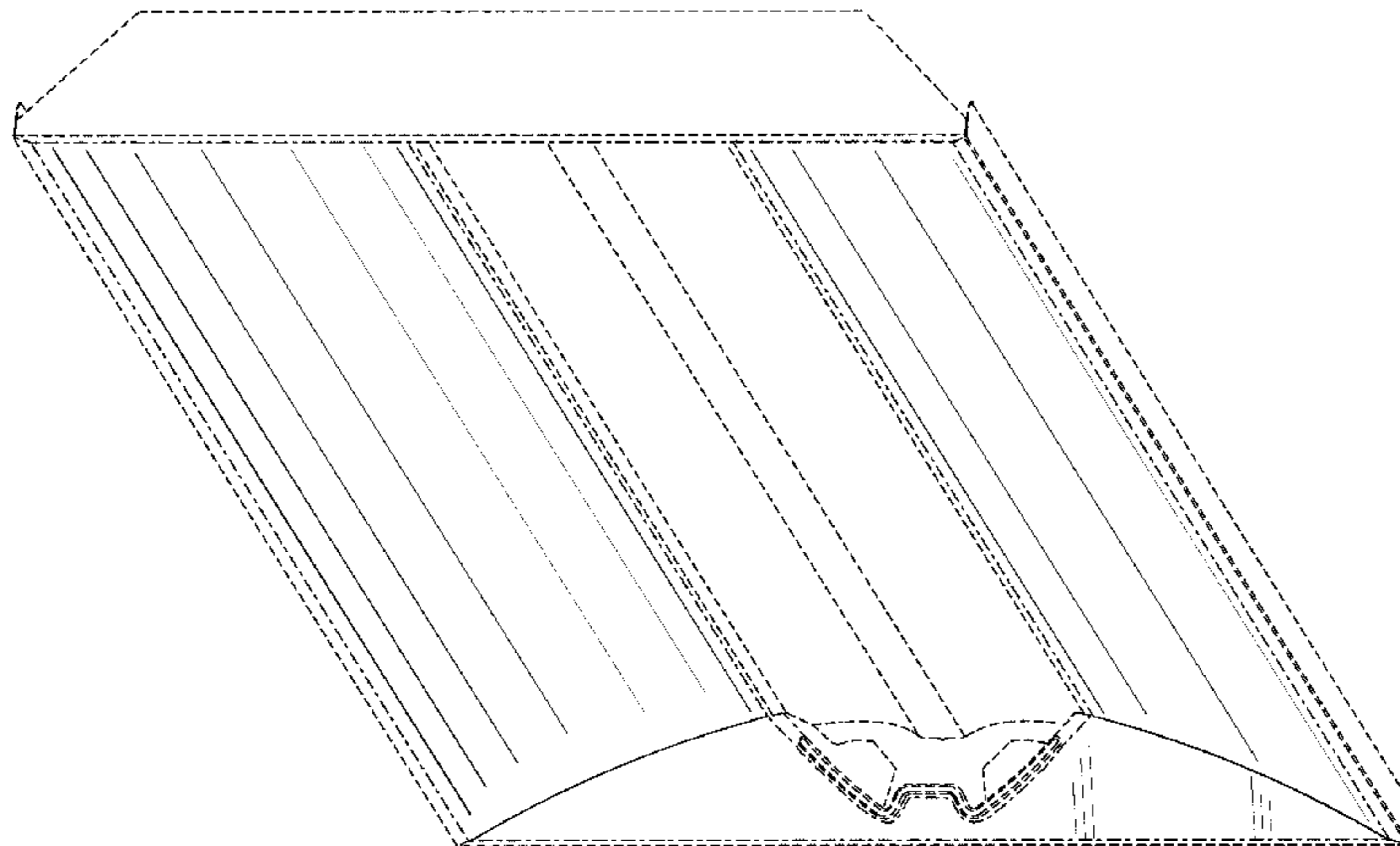
The ornamental design for a lighting fixture, as shown and  
described.

**DESCRIPTION**

FIG. 1 is a first front perspective view of a lighting fixture  
showing a first embodiment of our new design;  
FIG. 2 is a left side view thereof;  
FIG. 3 is a right side view thereof;  
FIG. 4 is a top view thereof;  
FIG. 5 is a bottom view thereof;  
FIG. 6 is a rear view thereof;  
FIG. 7 is a front view thereof;  
FIG. 8 is a rear perspective view thereof;  
FIG. 9 is a second front perspective view thereof;  
FIG. 10 is a first front perspective view of a lighting fixture  
showing a second embodiment of our new design;  
FIG. 11 is a left side view thereof;  
FIG. 12 is a right side view thereof;  
FIG. 13 is a top view thereof;  
FIG. 14 is a bottom view thereof;  
FIG. 15 is a rear view thereof;  
FIG. 16 is a front view thereof;  
FIG. 17 is a rear perspective view thereof; and,  
FIG. 18 is a second front perspective view thereof.

The uneven-length broken lines represent unclaimed bound-  
aries of the claimed design and form no part of the claimed  
design. The even-length broken lines represent environmen-  
tal structure and form no part of the claimed design.

**1 Claim, 14 Drawing Sheets**



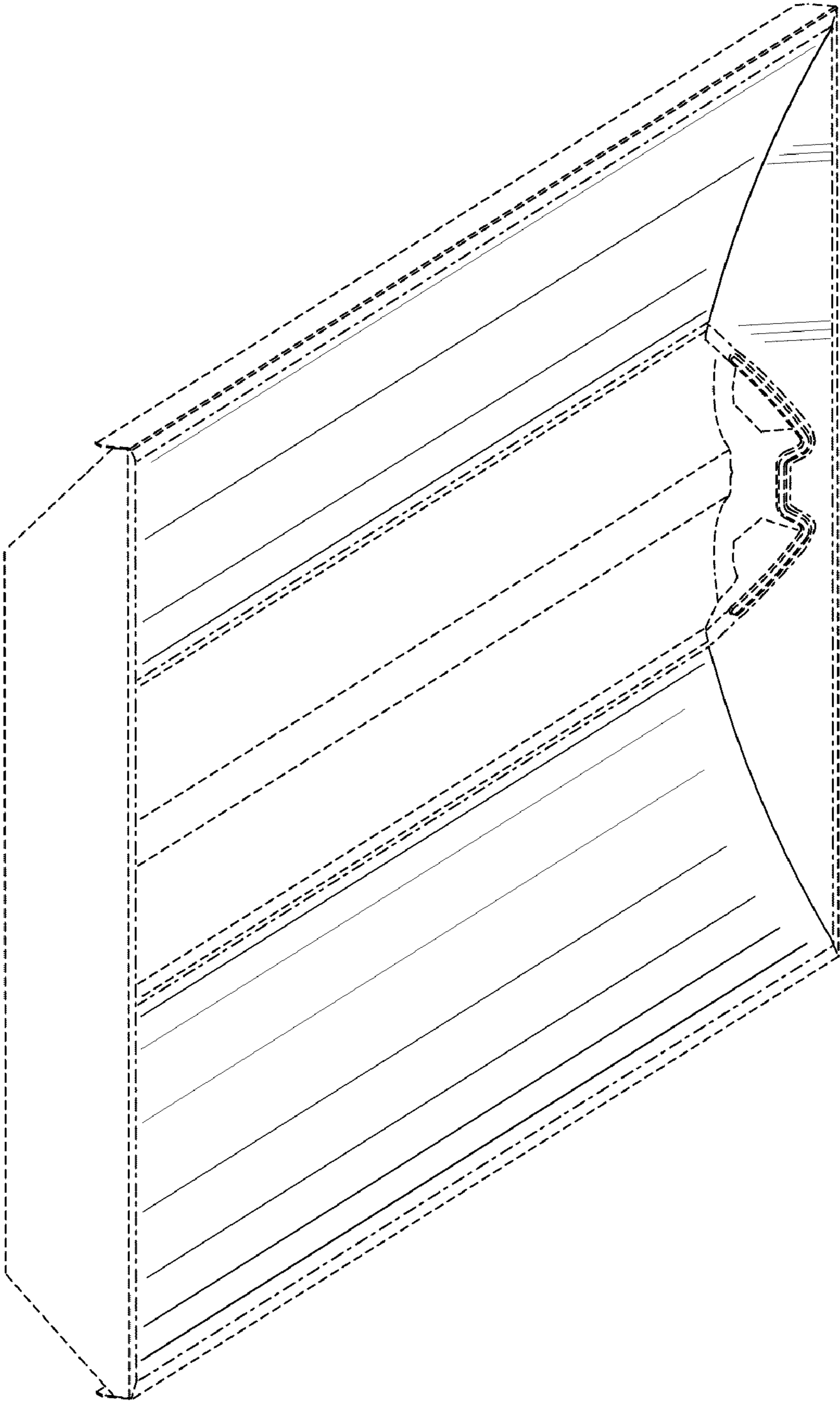


Fig. 1

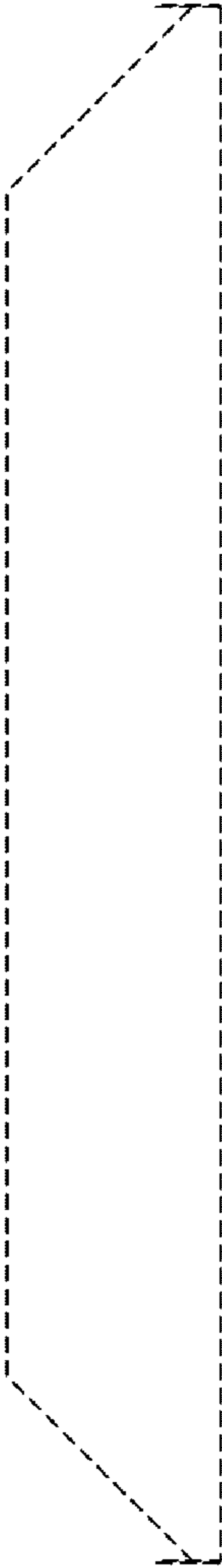
**Fig. 2**



**Fig. 3**



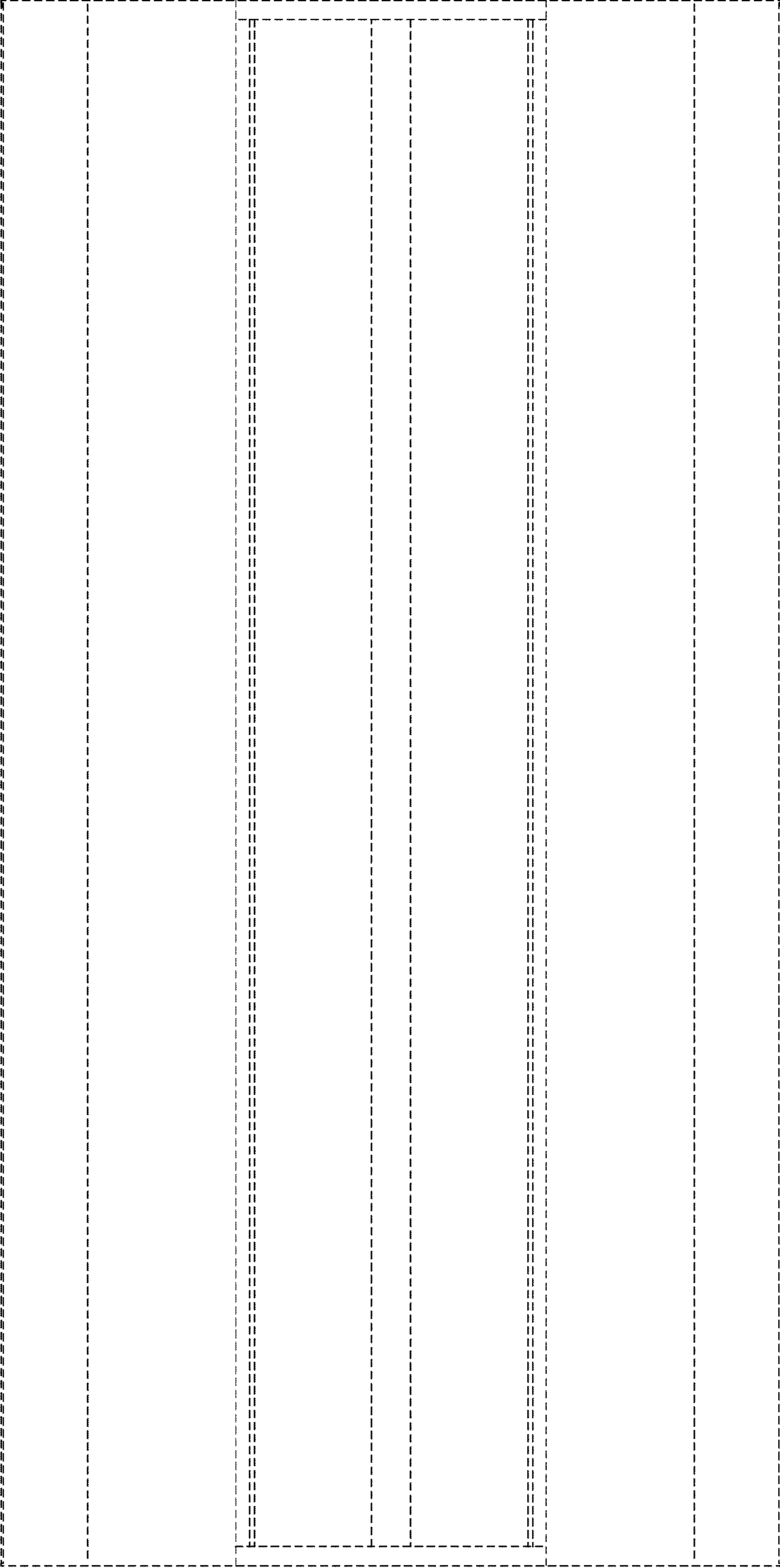
**Fig. 4**



**Fig. 5**



Fig. 6



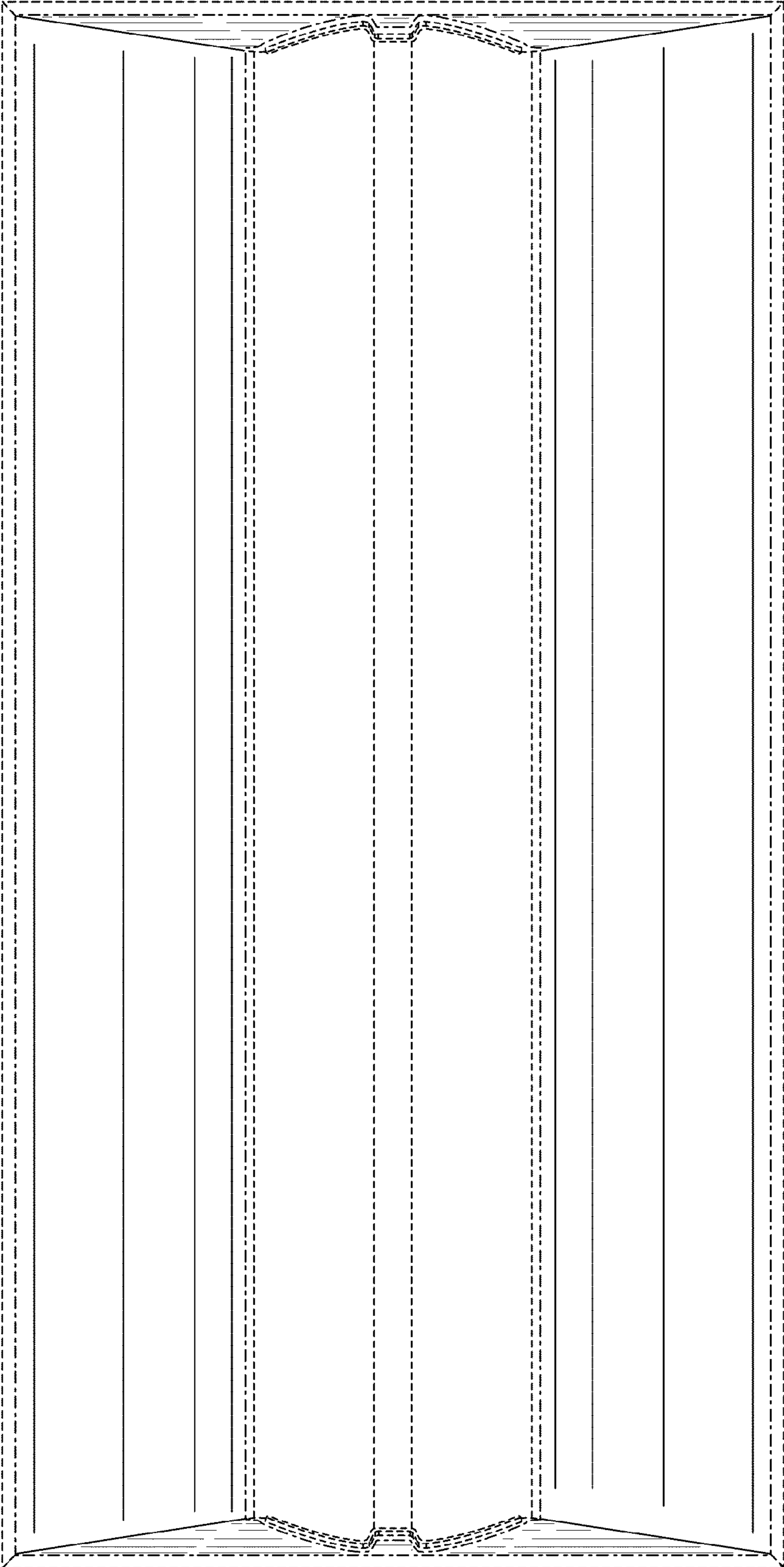
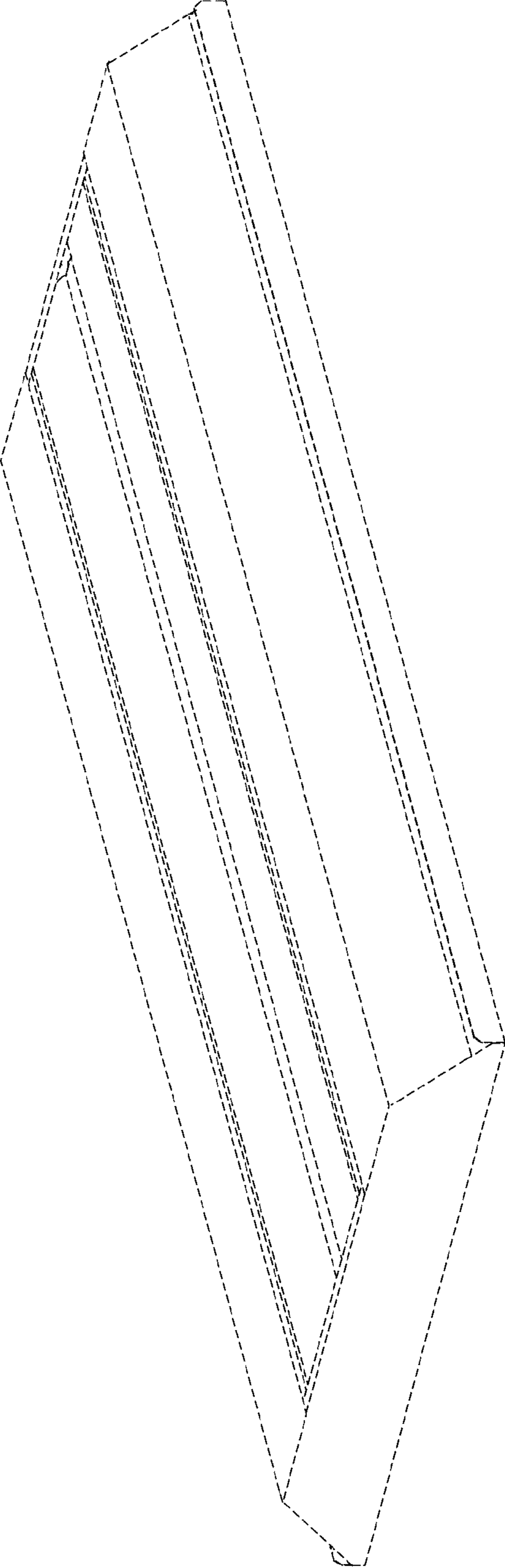


Fig. 7

Fig. 8



**Fig. 9**

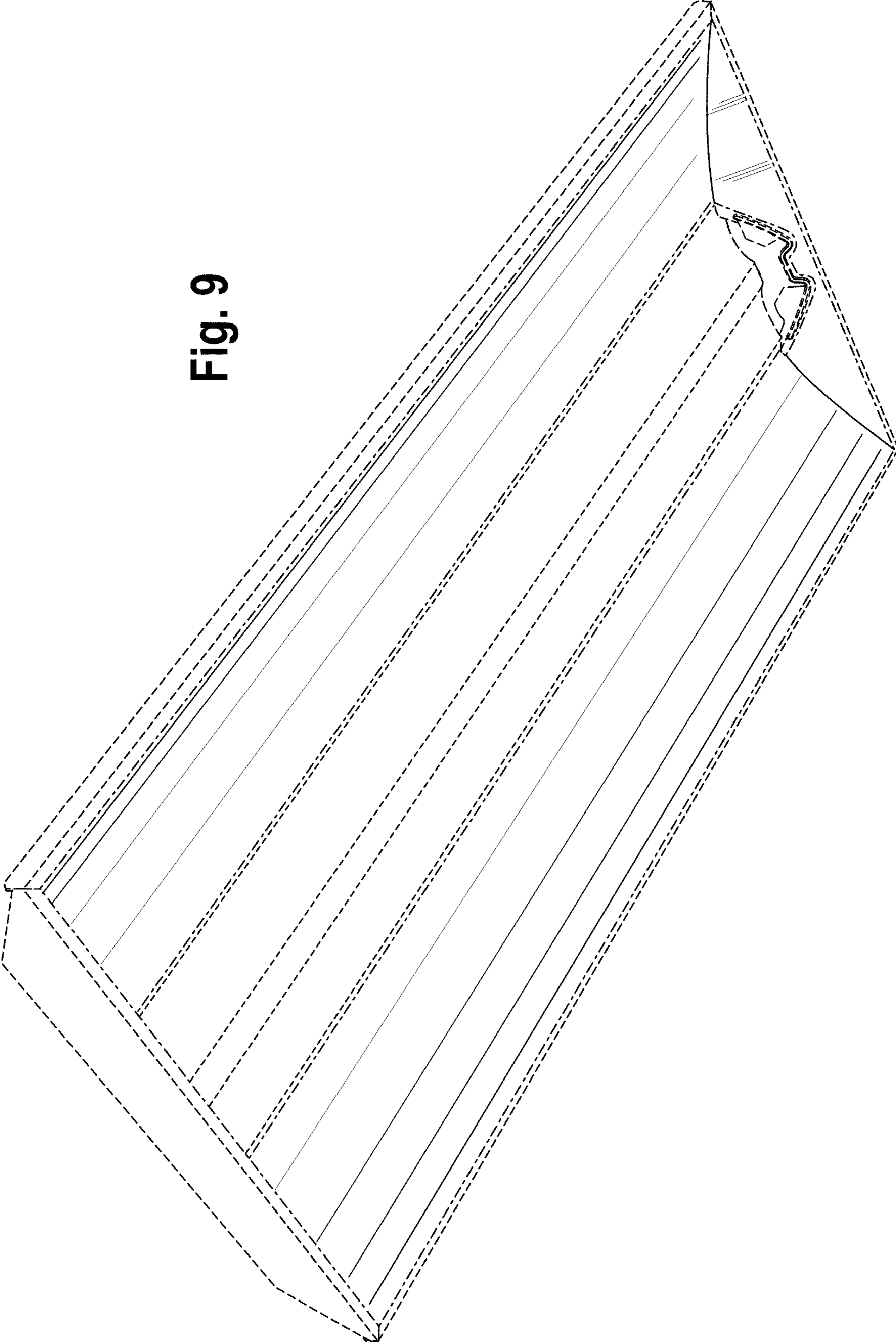
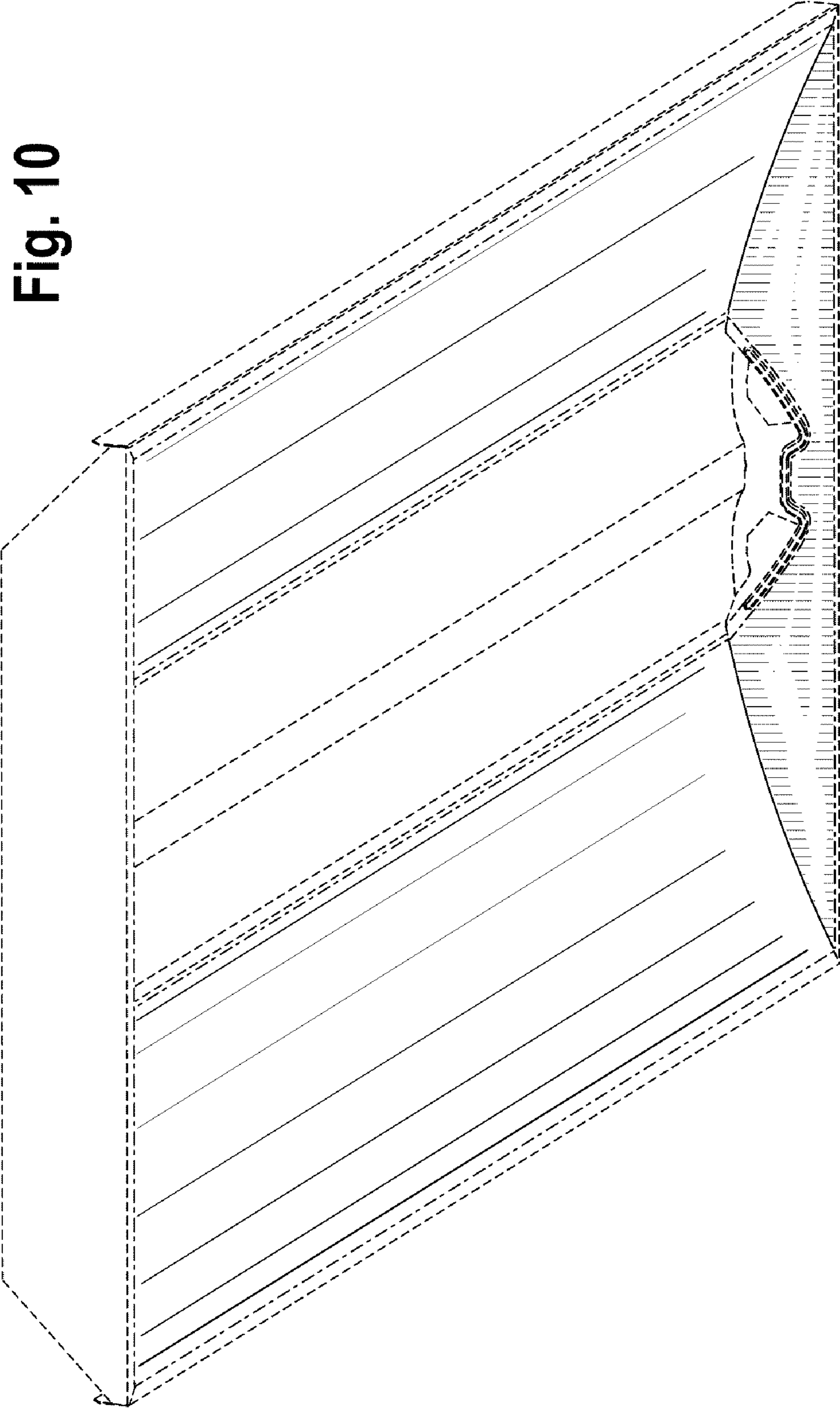
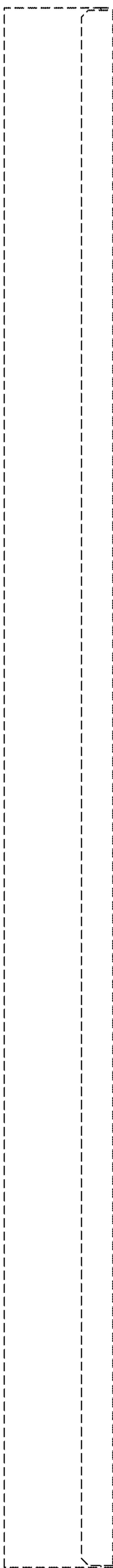




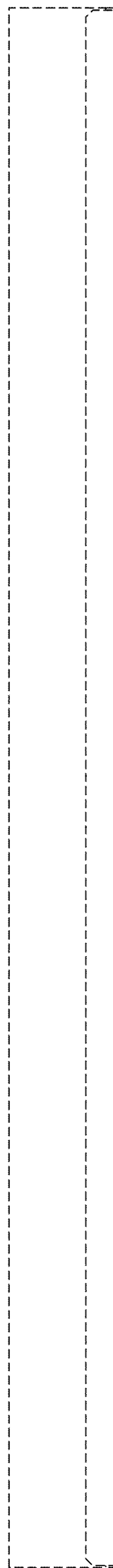
Fig. 10



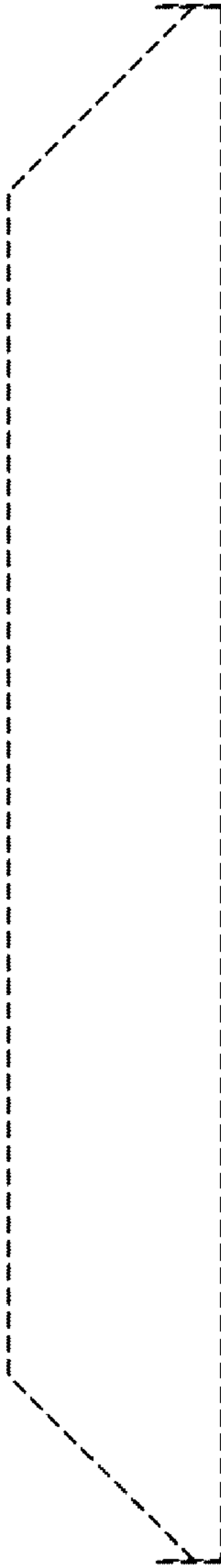
**Fig. 11**



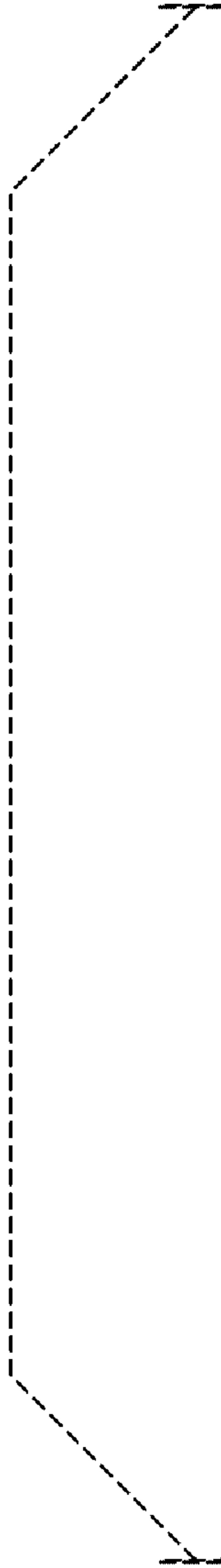
**Fig. 12**



**Fig. 13**



**Fig. 14**



**Fig. 15**

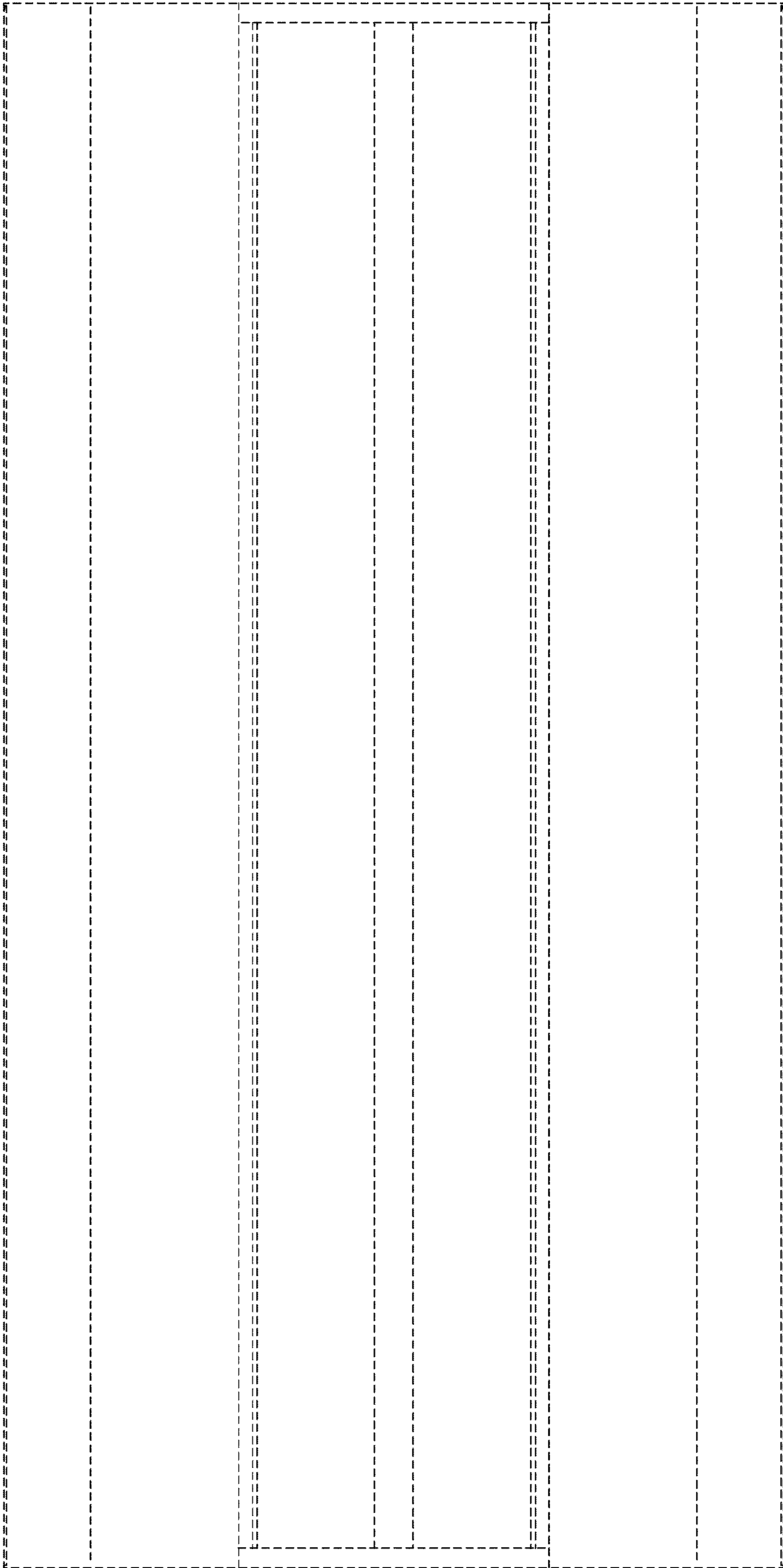


Fig. 16

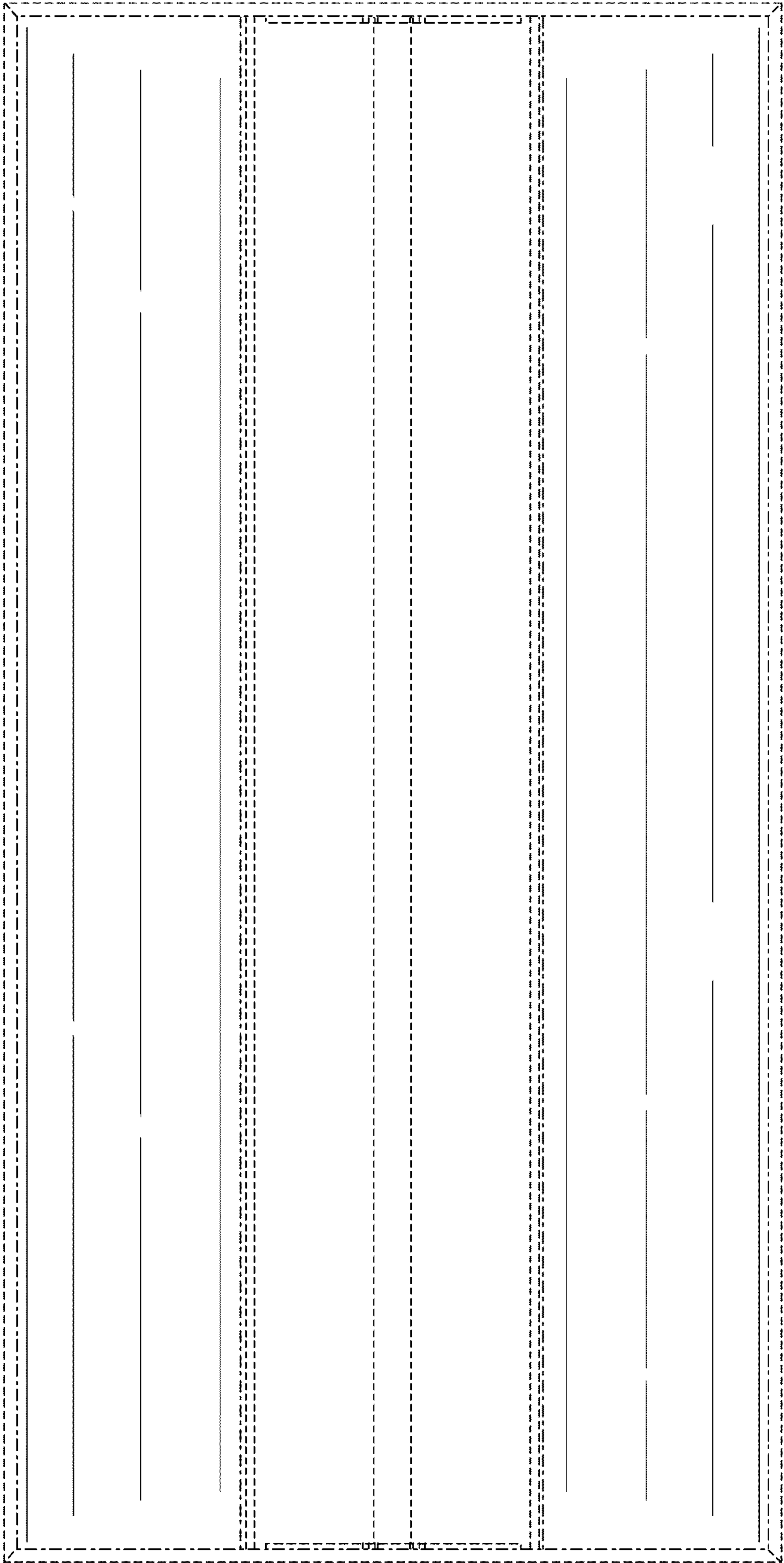
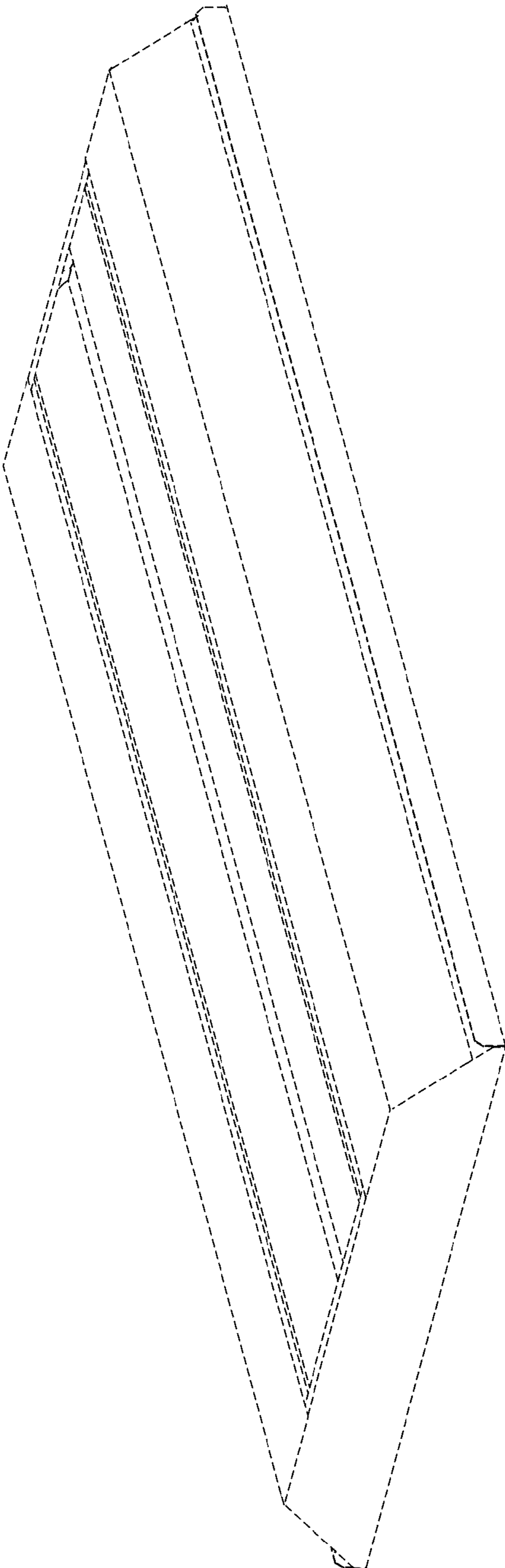


Fig. 17



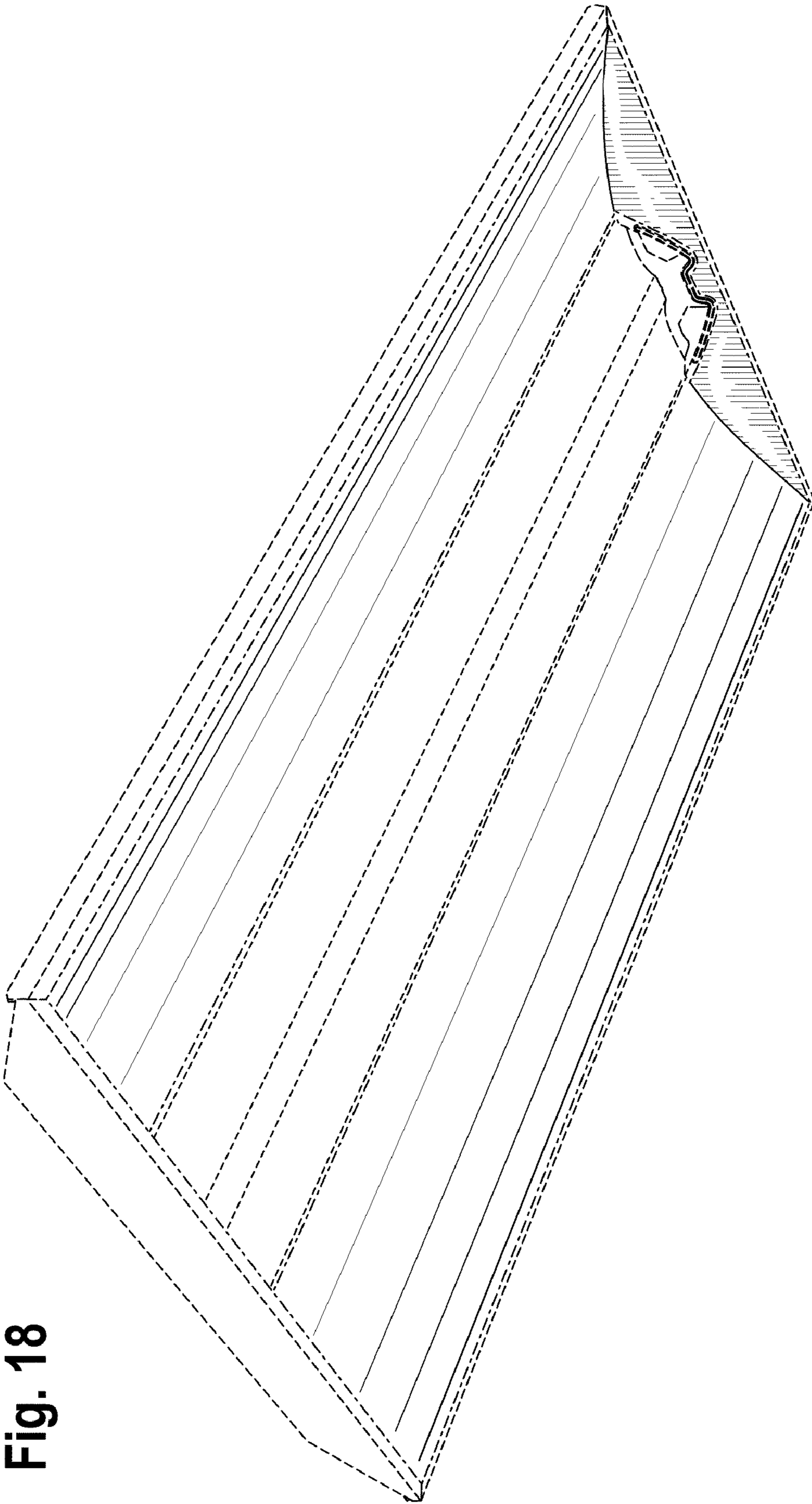


Fig. 18