



US00D636108S

(12) **United States Design Patent**
Nguyen et al.

(10) **Patent No.:** **US D636,108 S**
(45) **Date of Patent:** **** Apr. 12, 2011**

(54) **CEILING LIGHT FIXTURE**

(75) Inventors: **Huan C. Nguyen**, Anaheim, CA (US);
Dwight David Santiago, Summerfield,
NC (US)

(73) Assignee: **Cordelia Lighting, Inc.**, Rancho
Dominguez, CA (US)

(**) Term: **14 Years**

(21) Appl. No.: **29/380,222**

(22) Filed: **Dec. 1, 2010**

Related U.S. Application Data

(62) Division of application No. 29/363,766, filed on Jun.
14, 2010.

(51) **LOC (9) Cl.** **26-03**

(52) **U.S. Cl.** **D26/89; D26/76**

(58) **Field of Classification Search** D26/24,
D26/67, 72, 74, 76, 85, 88, 89, 128; 362/147,
362/294.02, 373, 453, 454, 404-408, 432
See application file for complete search history.

(56) **References Cited**

U.S. PATENT DOCUMENTS

D120,563	S	*	5/1940	Biggs et al.	D26/78
D123,757	S	*	12/1940	Dreyfuss	D26/76
D131,532	S	*	3/1942	Naysmith	D26/76
D132,869	S	*	6/1942	Winkler et al.	D26/76
D136,797	S	*	12/1943	Mareck	D26/76
D154,058	S	*	6/1949	Nitardy	D26/76
D359,373	S	*	6/1995	Pagani et al.	D26/85
D384,433	S	*	9/1997	Littman	D26/85
D461,924	S	*	8/2002	Chelf	D26/76

D464,759	S	*	10/2002	Thompson	D26/89
D546,494	S	*	7/2007	Pickett	D26/89
D578,243	S	*	10/2008	Salatto-Rose	D26/89
D579,599	S	*	10/2008	Salatto-Rose	D26/85

OTHER PUBLICATIONS

Flush Mount fixtures #FM228,229 GBZ; #FM261 WAL;
#FM258,259,260 PBR; and #FM256, 257 GBZ. All shown on p. 184
of the Murray Feiss "Year Book 2007".*

* cited by examiner

Primary Examiner — Clare E Heflin

(74) *Attorney, Agent, or Firm* — Paul Y. Feng; Fulwider
Patton LLP

(57) **CLAIM**

The ornamental design for a ceiling light fixture, as shown
and described.

DESCRIPTION

FIG. 1 is a perspective view of a low profile, rectangular
embodiment of a ceiling light fixture showing the new design;
FIG. 2 is a side elevational view of the low profile, rectangular
embodiment of FIG. 1, wherein the obverse side is identical to
what is shown;

FIG. 3 is a bottom view of FIG. 1;

FIG. 4 is an end view of FIG. 1, wherein the obverse end is
identical to what is shown;

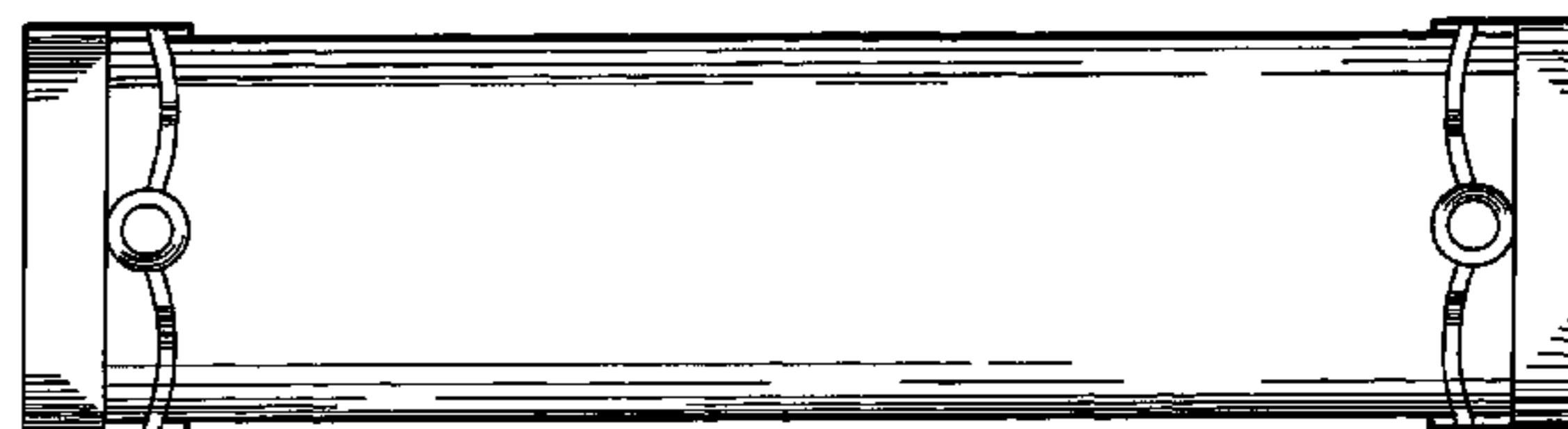
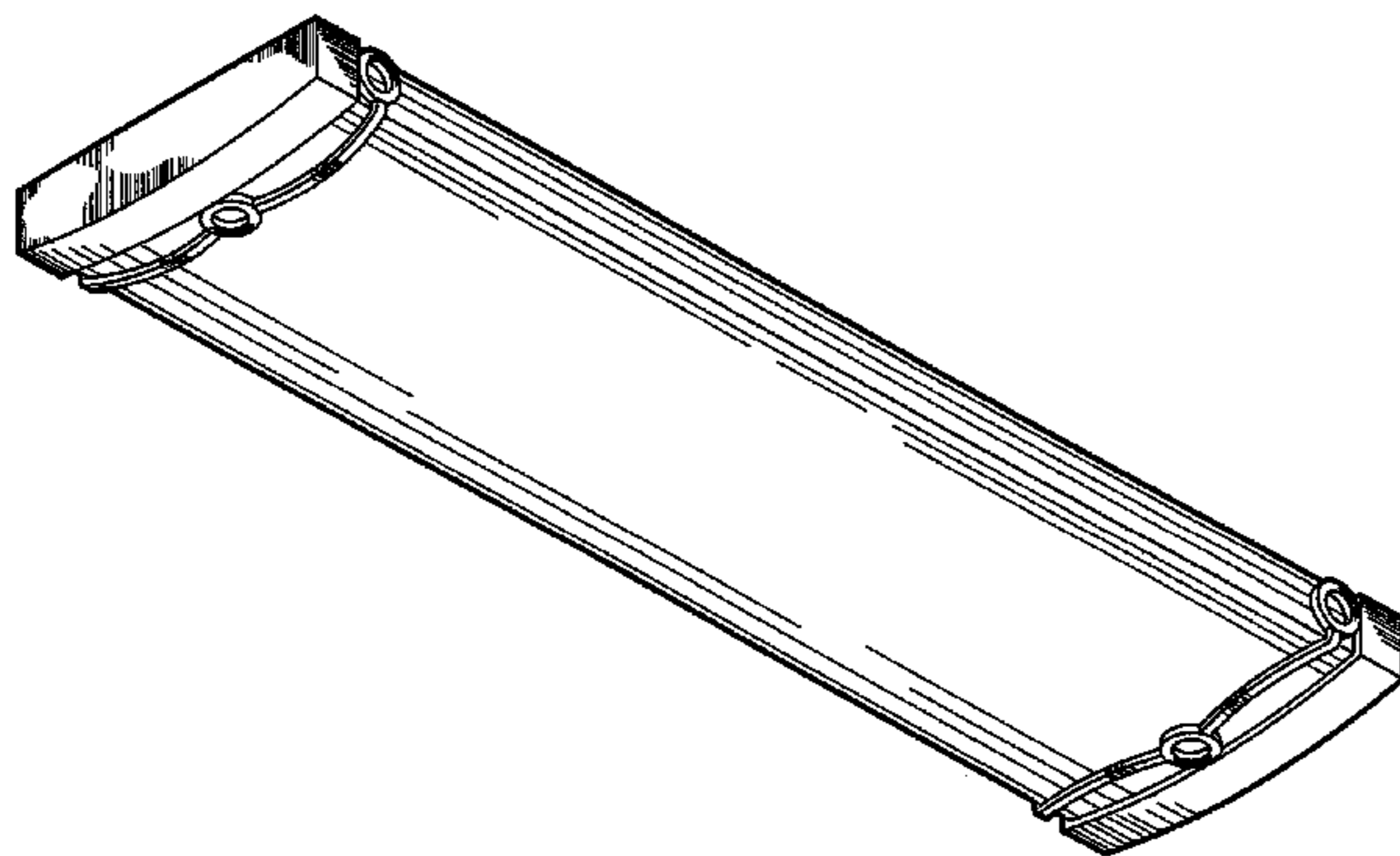
FIG. 5 is a perspective view of a rectangular embodiment of
the ceiling light fixture;

FIG. 6 is a side elevational view of the rectangular embodi-
ment of FIG. 5, wherein the obverse side is identical to what
is shown;

FIG. 7 is a bottom view of FIG. 5; and,

FIG. 8 is an end view of FIG. 5, wherein the obverse end is
identical to what is shown.

1 Claim, 4 Drawing Sheets



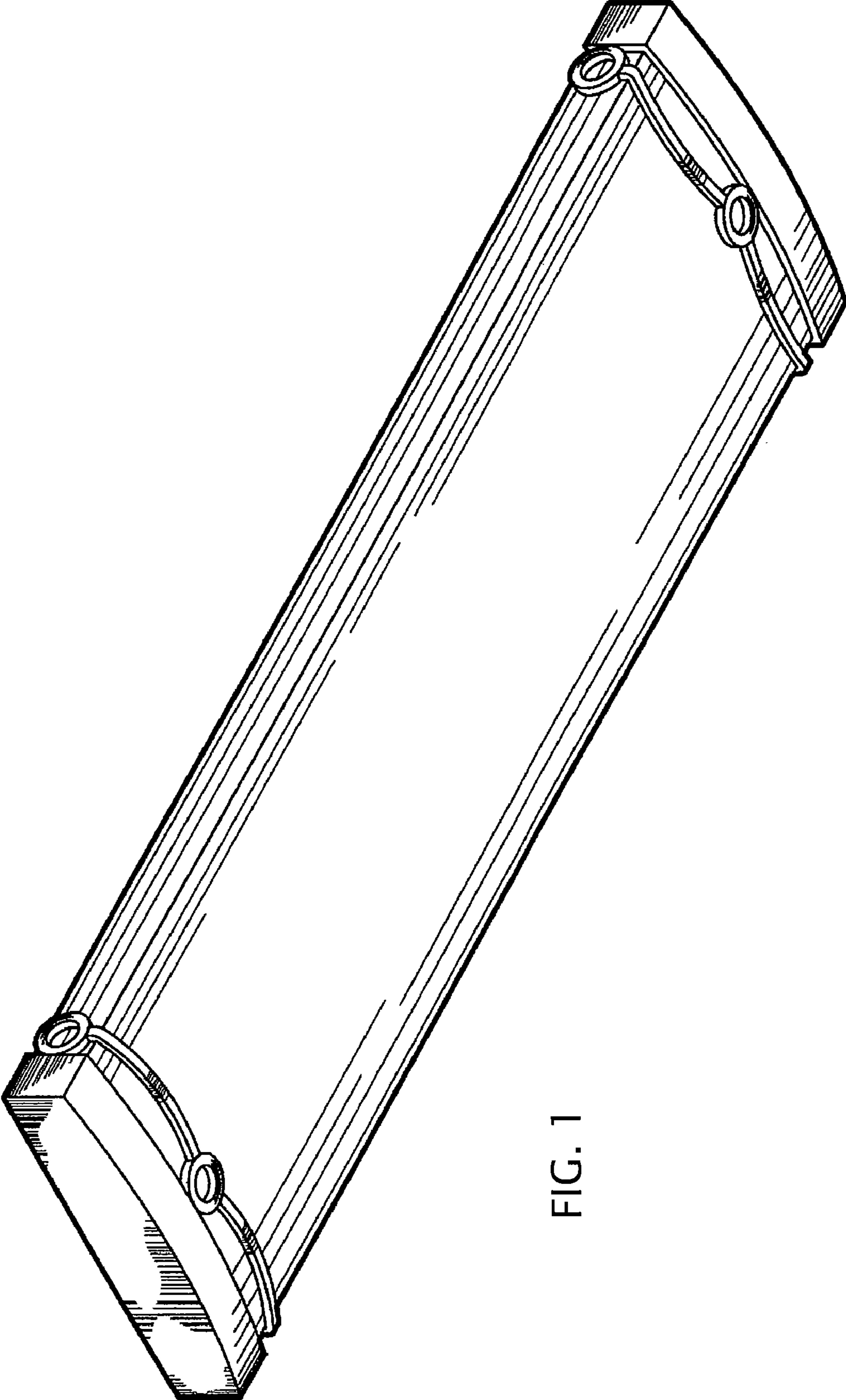


FIG. 1

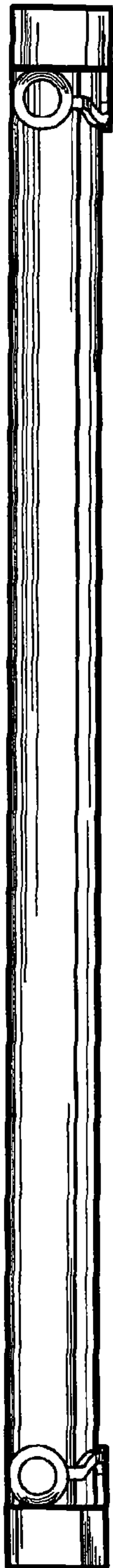


FIG. 2

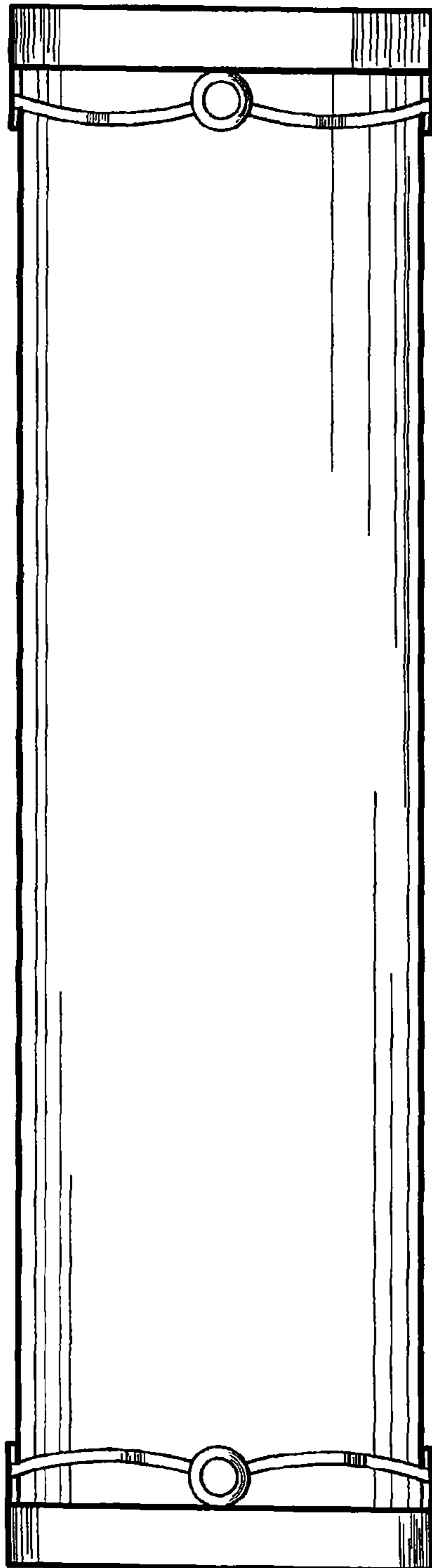


FIG. 3



FIG. 4

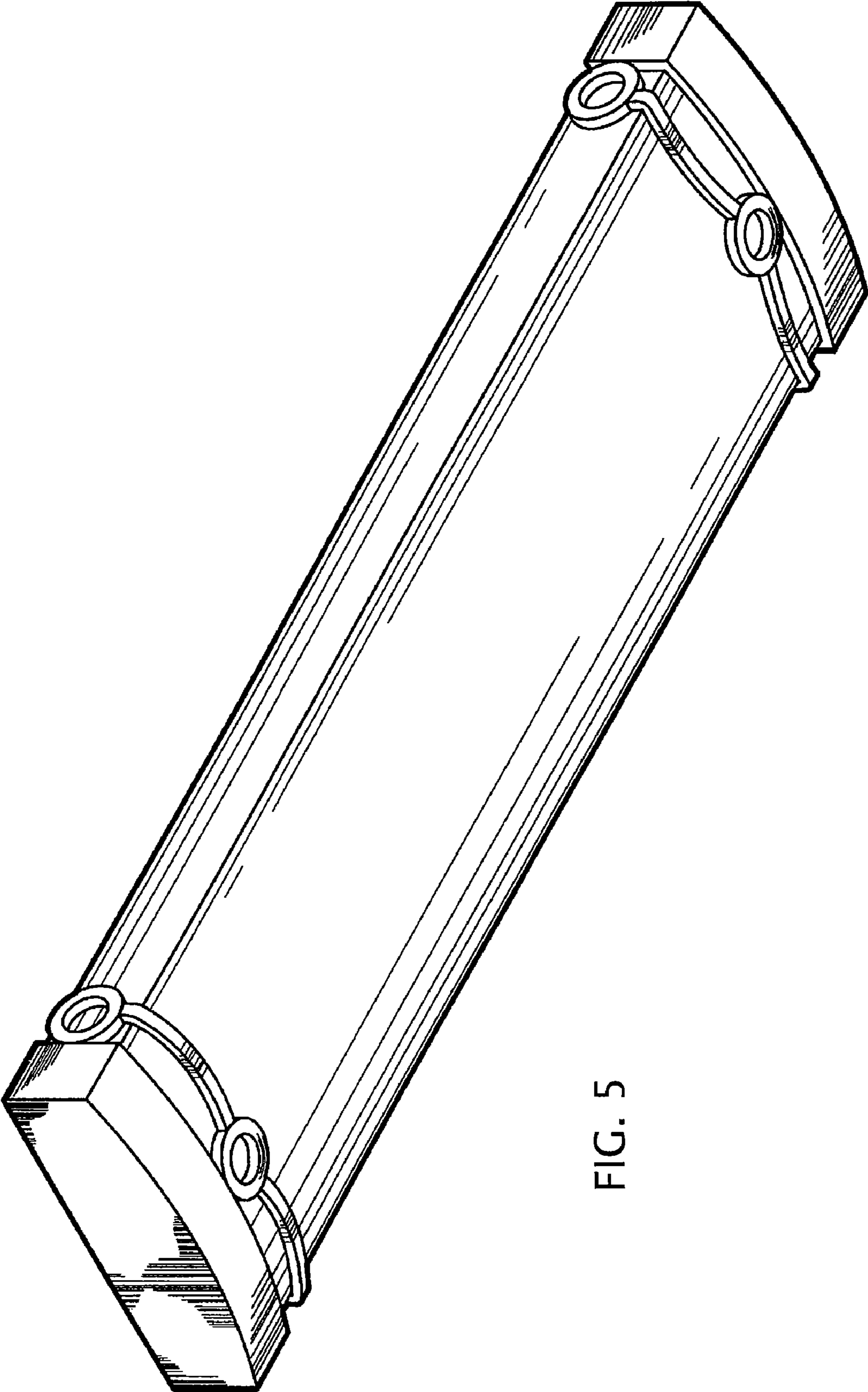


FIG. 5

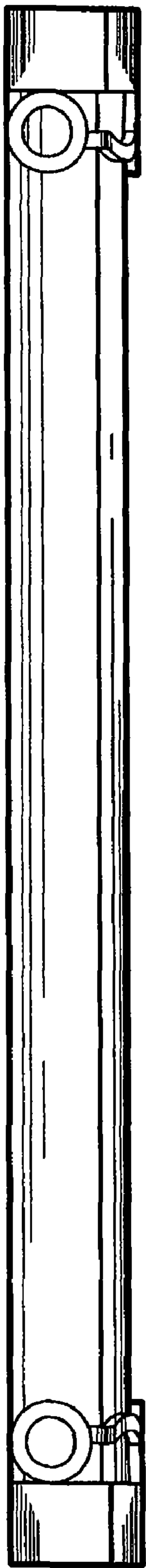


FIG. 6

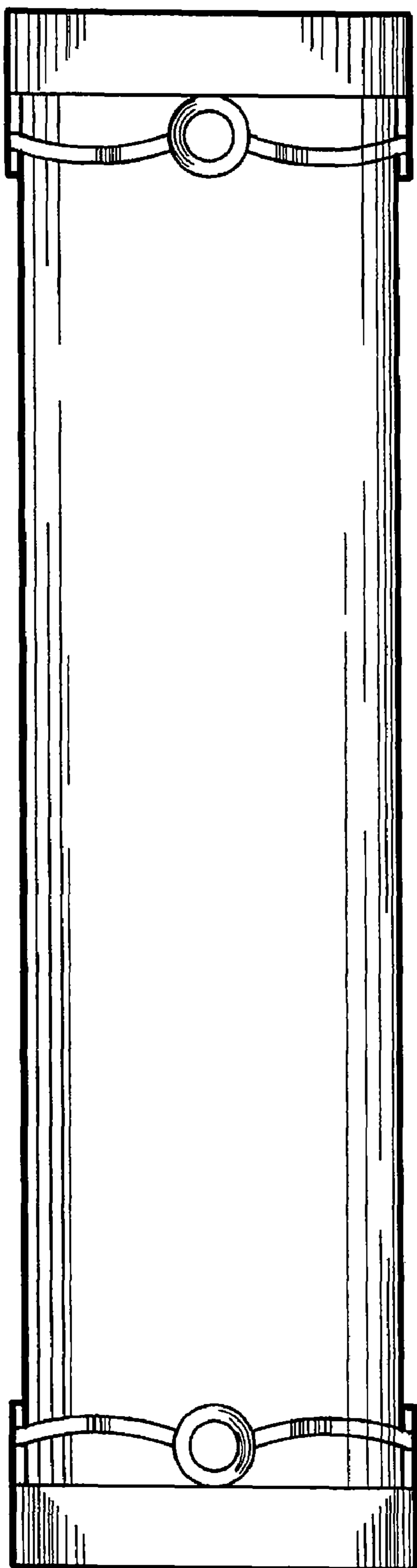


FIG. 7



FIG. 8