



US00D636107S

(12) **United States Design Patent**  
**Compton**

(10) **Patent No.:** **US D636,107 S**  
(45) **Date of Patent:** **\*\* Apr. 12, 2011**

(54) **LIGHTING FIXTURE**

(75) Inventor: **Wayne Compton**, Chino Hills, CA (US)

(73) Assignee: **U.S. Pole Company, Inc.**, Palmdale, CA (US)

(\*\*) Term: **14 Years**

(21) Appl. No.: **29/362,376**

(22) Filed: **May 25, 2010**

(51) **LOC (9) Cl.** ..... **26-05**

(52) **U.S. Cl.** ..... **D26/71**

(58) **Field of Classification Search** ..... D26/67-71,  
D26/85, 92; 362/145, 183, 231, 240, 249.02,  
362/249.03, 249.04, 249.06, 249.16, 373,  
362/431, 432

See application file for complete search history.

(56) **References Cited**

**U.S. PATENT DOCUMENTS**

D329,104 S *	9/1992	Dieperink .....	D26/87
D391,659 S *	3/1998	Gaskins et al. ....	D26/71
D439,695 S *	3/2001	Compton et al. ....	D26/87
D447,590 S *	9/2001	Raouf et al. ....	D26/71
D492,441 S *	6/2004	Bradford et al. ....	D26/92
D501,947 S *	2/2005	Haugaard et al. ....	D26/71

D541,463 S *	4/2007	Tortel .....	D26/71
D550,388 S *	9/2007	Binsukor .....	D26/67
D568,521 S *	5/2008	Compton .....	D26/71
D609,387 S *	2/2010	Compton .....	D26/85
D612,090 S *	3/2010	Yu .....	D26/92
D615,234 S *	5/2010	Oblak .....	D26/71

\* cited by examiner

*Primary Examiner* — Clare E Heflin

(74) *Attorney, Agent, or Firm* — Christie, Parker & Hale, LLP

(57) **CLAIM**

The ornamental design for lighting fixture, as shown and described.

**DESCRIPTION**

FIG. 1 is a perspective view of a lighting fixture according to the present invention;

FIG. 2 is a top view of the embodiment of FIG. 1;

FIG. 3 is a side view of the embodiment of FIG. 1;

FIG. 4 is a bottom view of the embodiment of FIG. 1;

FIG. 5 is a front view of the embodiment of FIG. 1; and,

FIG. 6 is a rear view of the embodiment of FIG. 1.

The broken lines shown on the drawings depict portions of the lighting fixture that form no part of the claimed design.

**1 Claim, 6 Drawing Sheets**

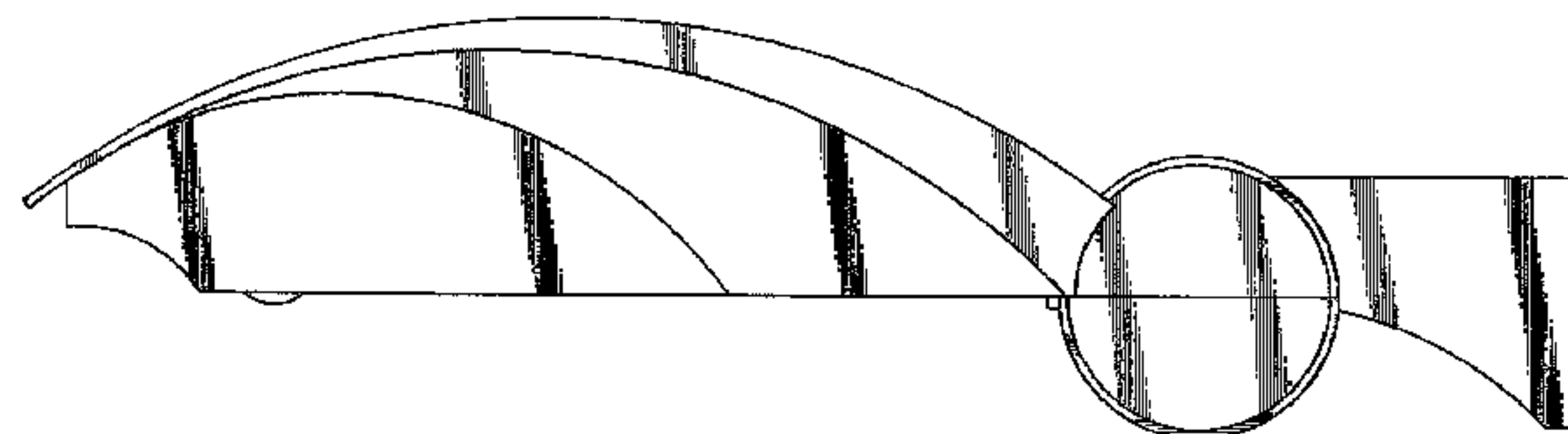
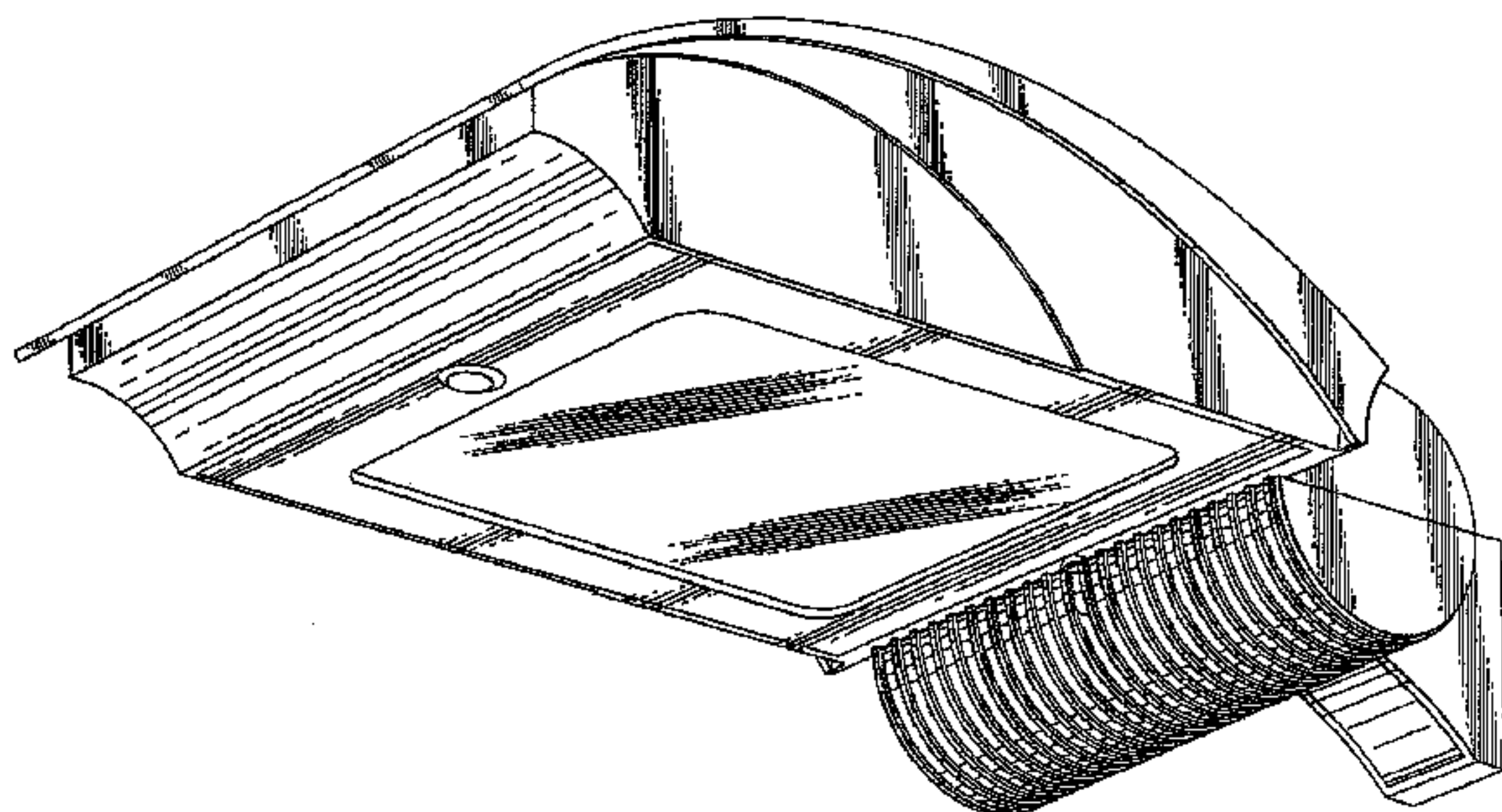
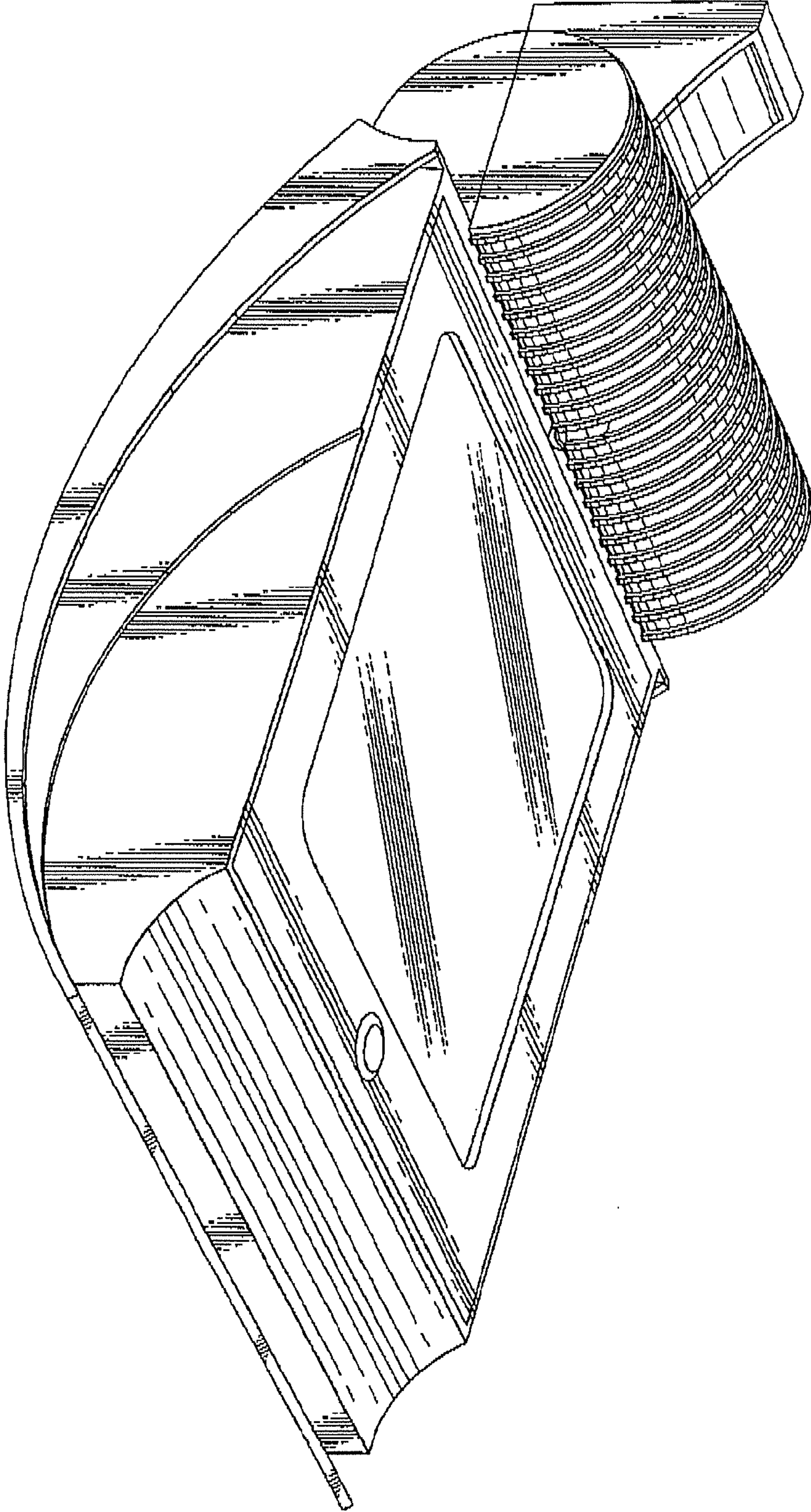


FIG. 1



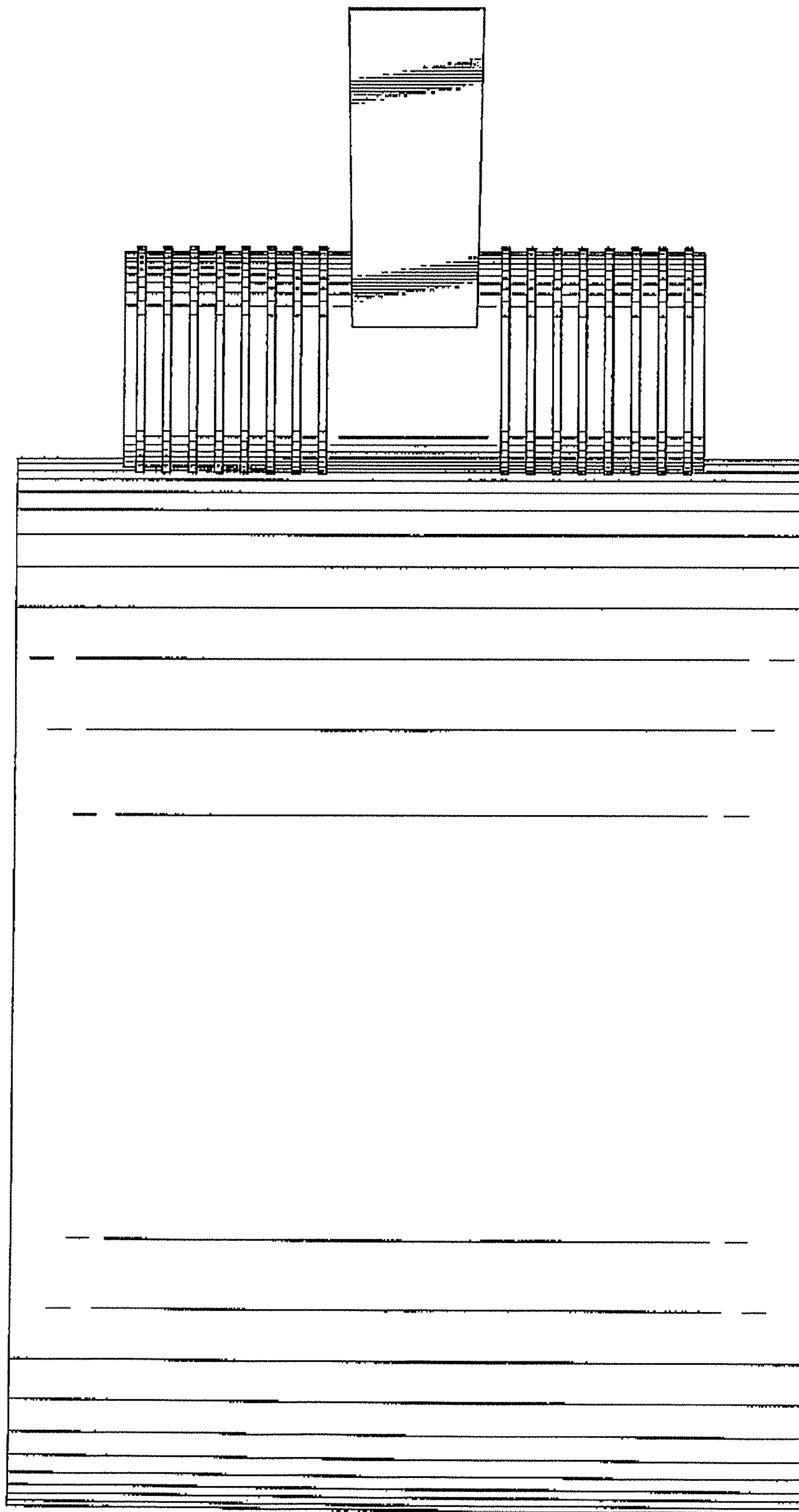


FIG. 2



FIG. 3

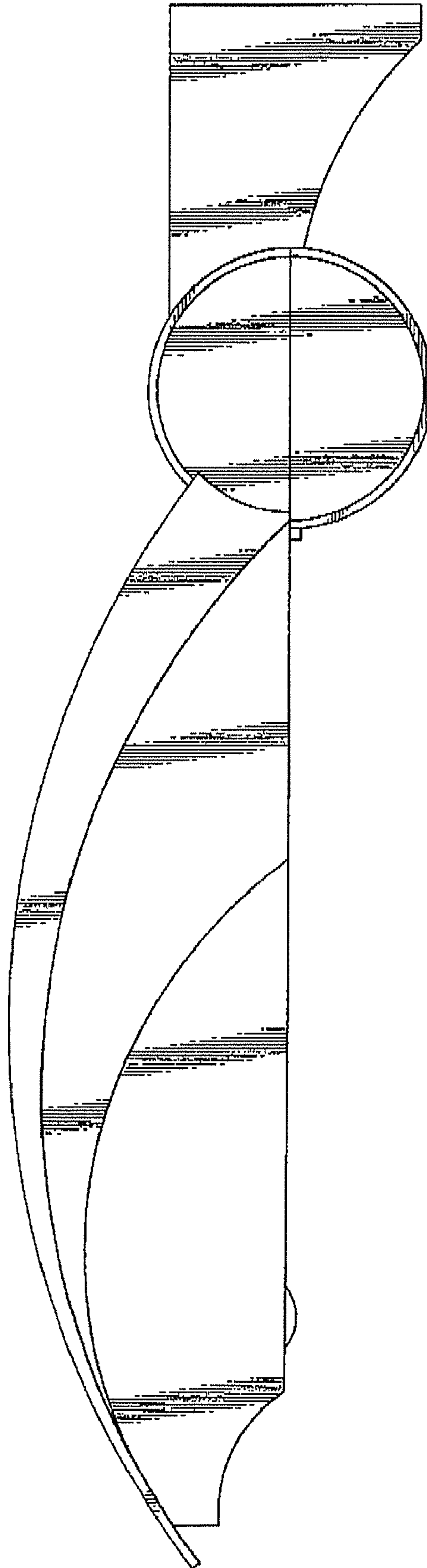


FIG. 4

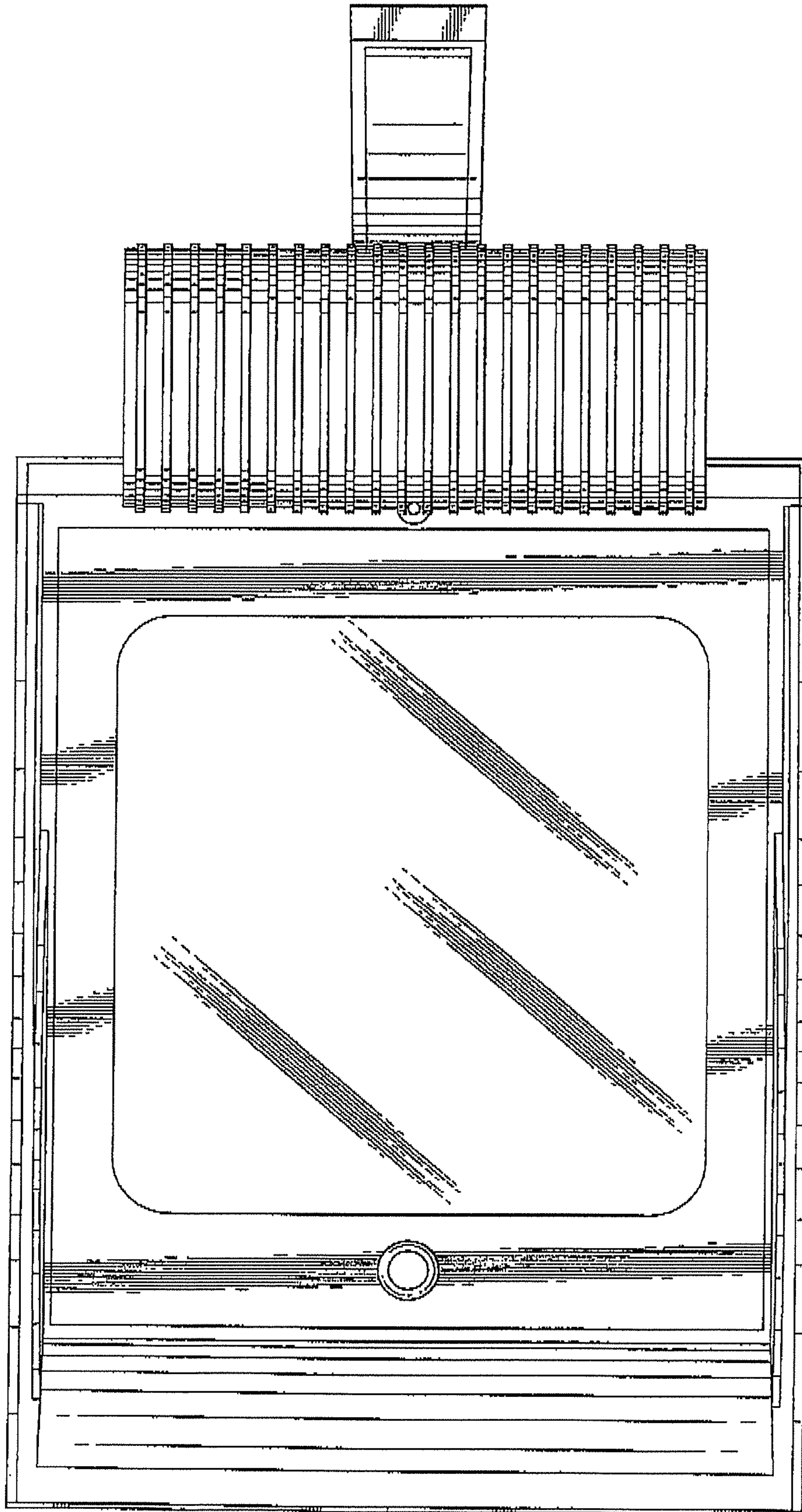


FIG. 5

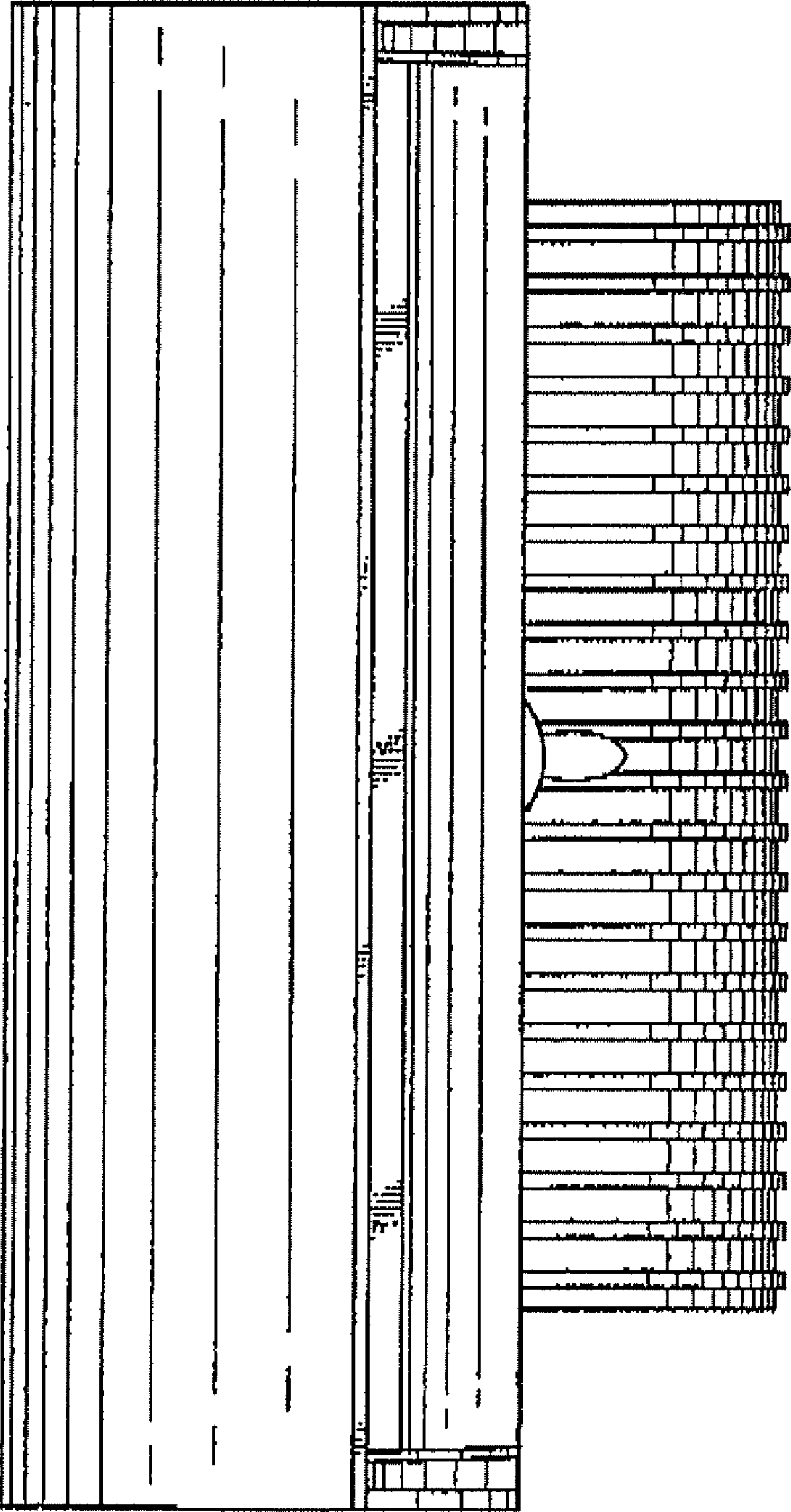


FIG. 6

