



US00D636106S

(12) **United States Design Patent**
Lee et al.

(10) **Patent No.:** **US D636,106 S**
(45) **Date of Patent:** **** Apr. 12, 2011**

(54) **LED LAMP**

(75) Inventors: **Tsu Lee**, Taipei (TW); **Zhong-Lin Tang**,
Shao Yang (CN); **Lei Zhao**, Yue-Yang
(CN); **Chun Kin Patrick Chan**, Hong
Kong (CN); **Feng Ma**, Mi Yang (CN);
Jin-Yun Yang, Jiujiang (CN)

(73) Assignee: **Pan-Jit International Inc.**, Kaohsiung
Hsien (TW)

(**) Term: **14 Years**

(21) Appl. No.: **29/355,326**

(22) Filed: **Feb. 5, 2010**

(51) **LOC (9) Cl.** **26-05**

(52) **U.S. Cl.** **D26/71**

(58) **Field of Classification Search** D26/67-71,
D26/85, 92; 362/145, 183, 231, 240, 249.02,
362/249.03, 249.04, 249.06, 249.16, 373,
362/431, 432

See application file for complete search history.

(56) **References Cited**

U.S. PATENT DOCUMENTS

D99,661 S *	5/1936	Gosling	D26/68
D186,130 S *	9/1959	Izzi	D26/71
D198,183 S *	5/1964	Akaly	D26/71
D321,764 S *	11/1991	Von Klier	D26/63
D556,357 S *	11/2007	Butler et al.	D26/71

D573,743 S *	7/2008	Yan et al.	D26/71
D599,939 S *	9/2009	Zheng et al.	D26/71
D599,941 S *	9/2009	Wang et al.	D26/71
D599,942 S *	9/2009	Zheng	D26/71
D601,292 S *	9/2009	Yan et al.	D26/71
D605,328 S *	12/2009	Wang et al.	D26/71
D614,791 S *	4/2010	Nibaldi	D26/71
2004/0196653 A1 *	10/2004	Clark et al.	362/183
2009/0185374 A1 *	7/2009	Wu et al.	362/249.06
2009/0310381 A1 *	12/2009	Chang et al.	362/555

* cited by examiner

Primary Examiner — Clare E Heflin

(74) *Attorney, Agent, or Firm* — Alan Kamrath; Kamrath &
Associates PA

(57) **CLAIM**

The ornamental design for an LED lamp, as shown and
described.

DESCRIPTION

FIG. 1 is a perspective view of an LED lamp, showing my new
design;

FIG. 2 is a front view thereof;

FIG. 3 is a rear view thereof;

FIG. 4 is a left view thereof;

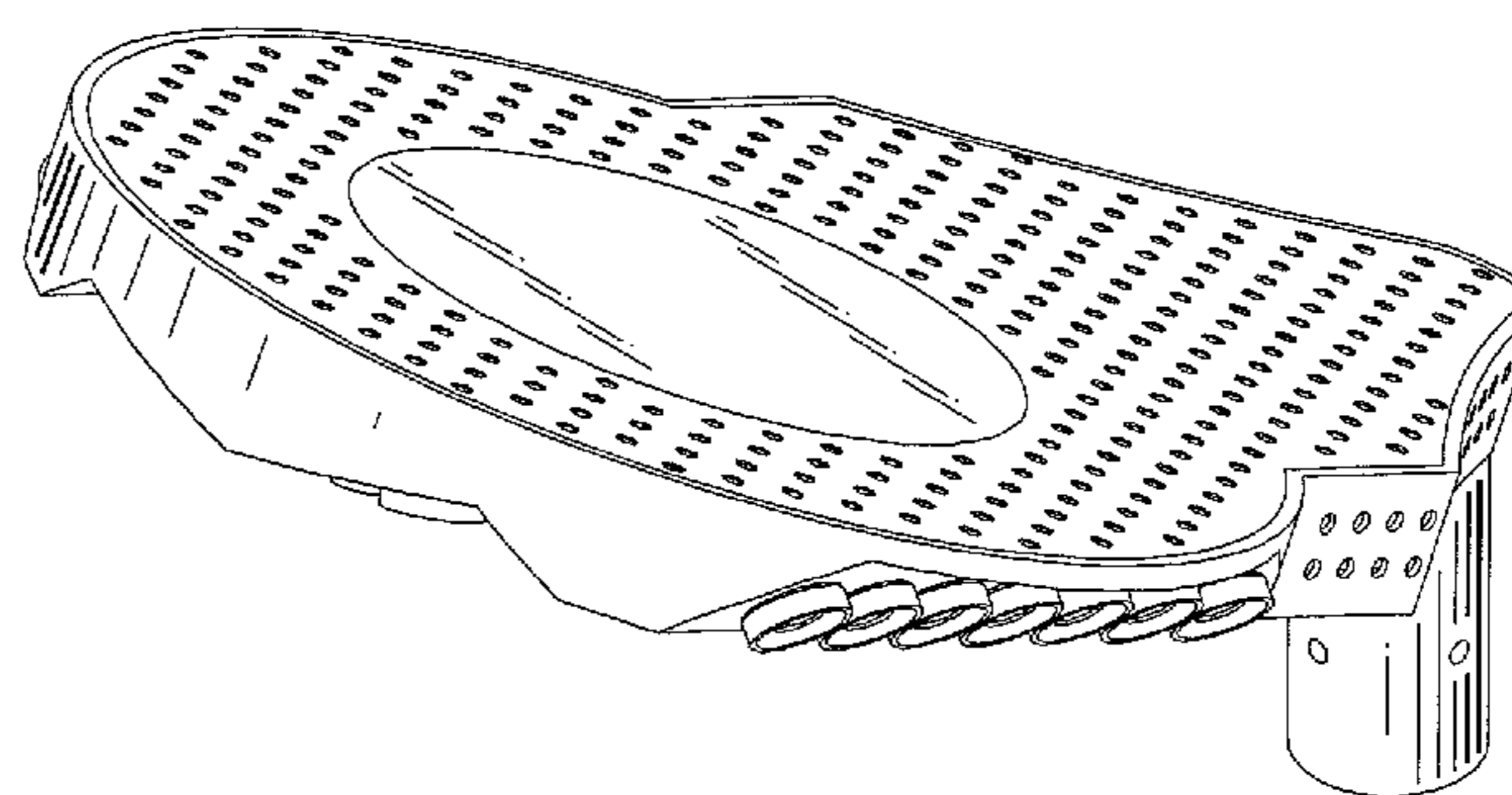
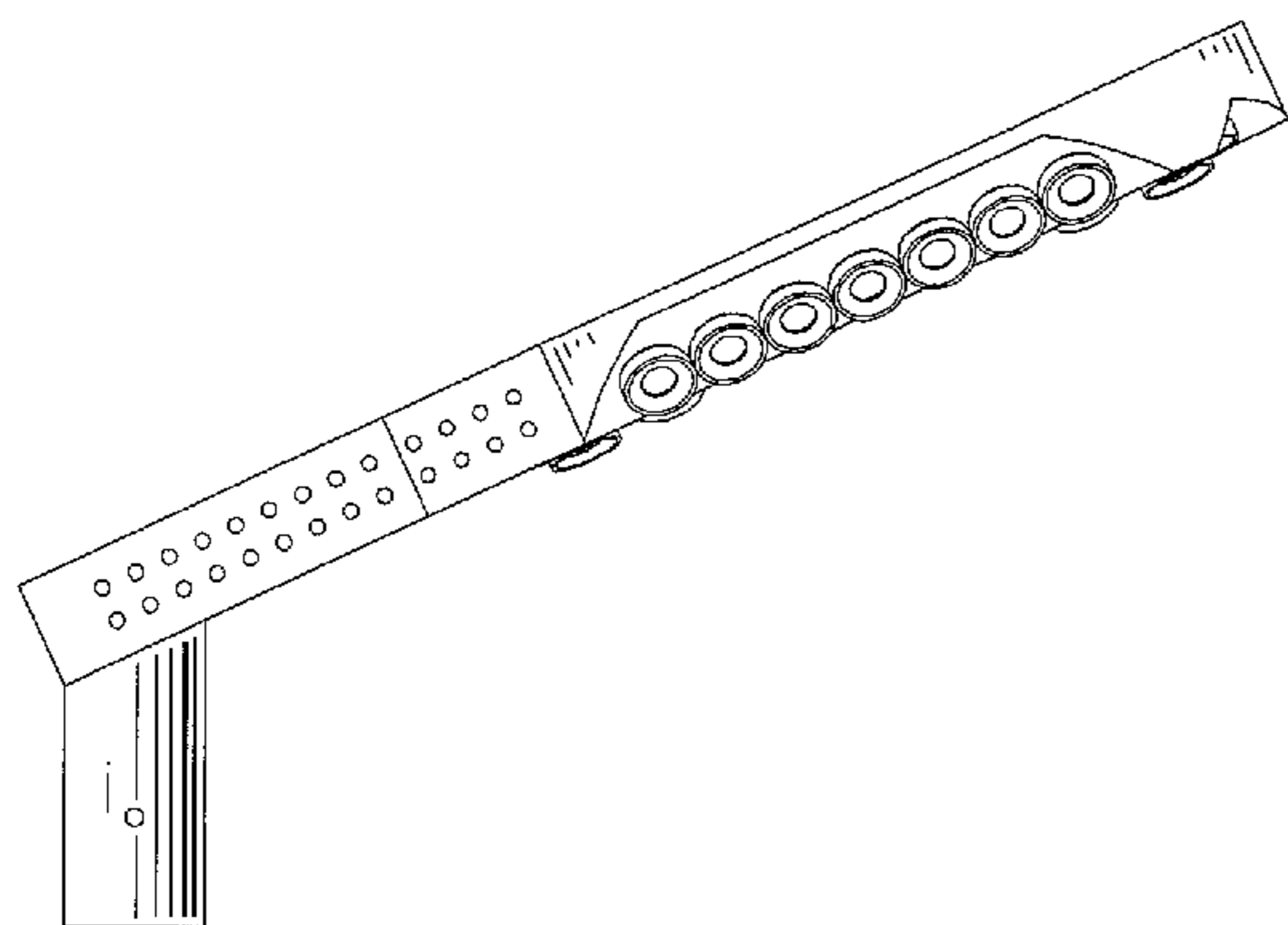
FIG. 5 is a right view thereof;

FIG. 6 is a top view thereof;

FIG. 7 is a bottom view thereof; and,

FIG. 8 is another perspective view thereof.

1 Claim, 5 Drawing Sheets



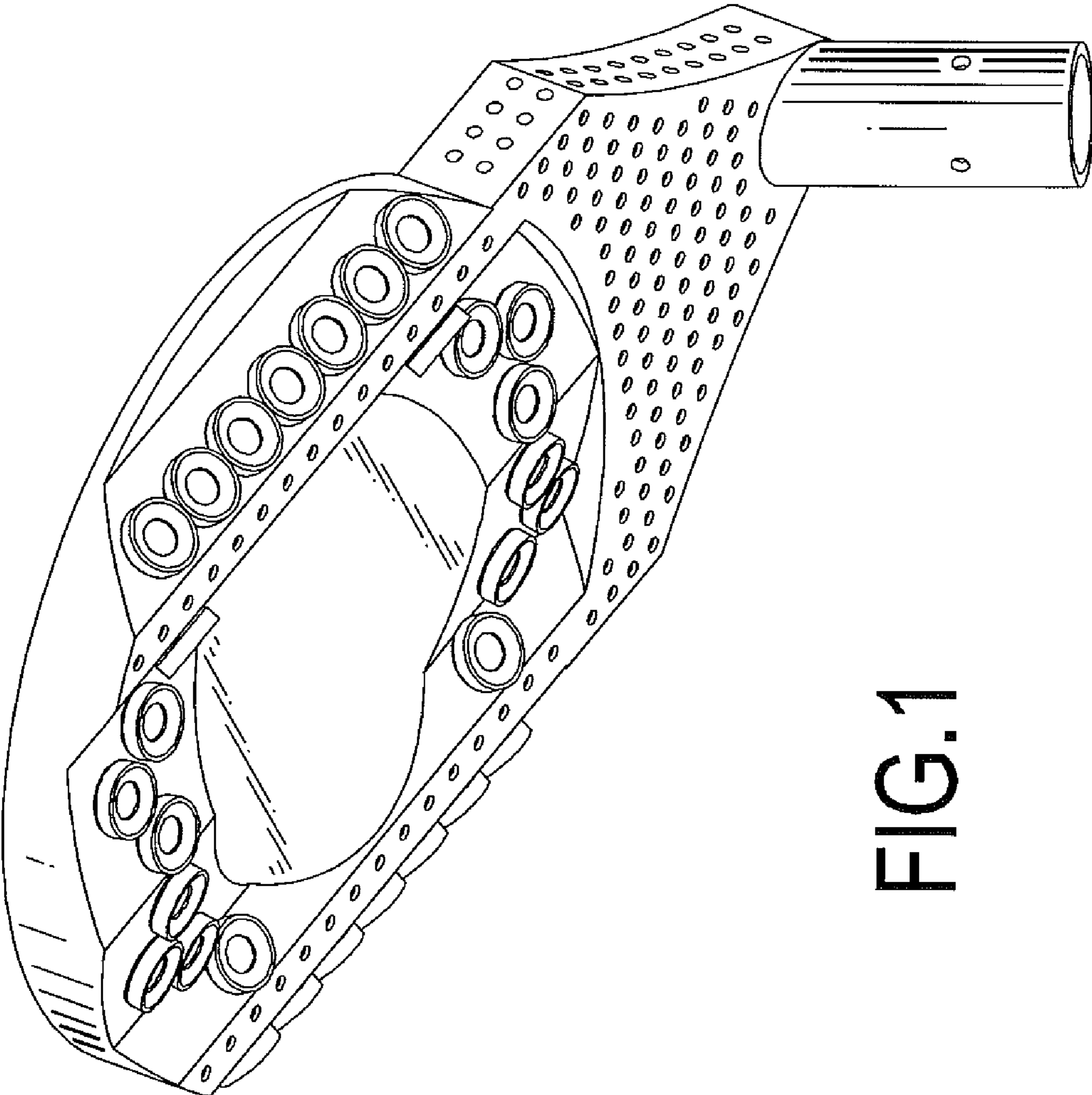


FIG.1

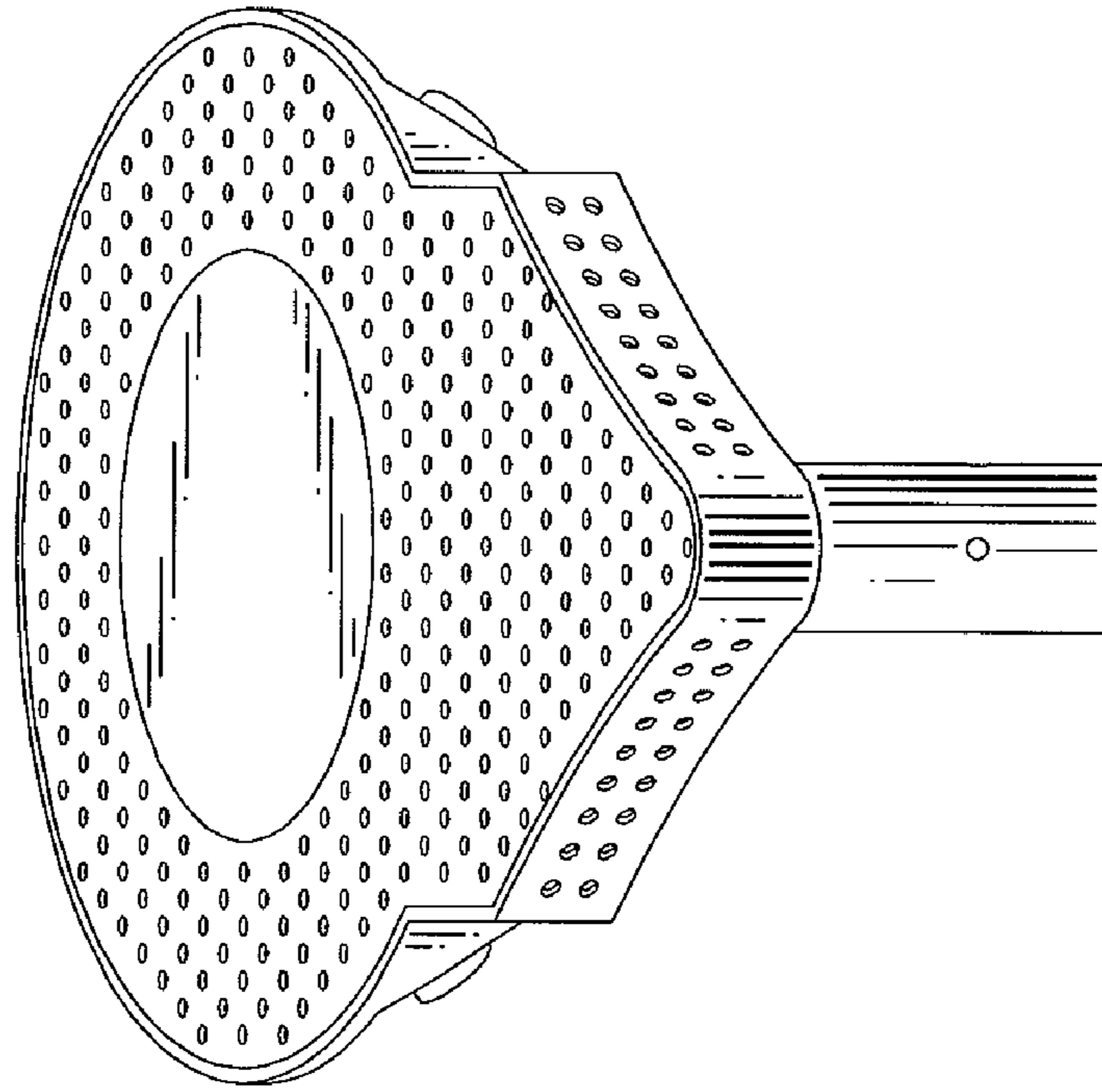


FIG. 3

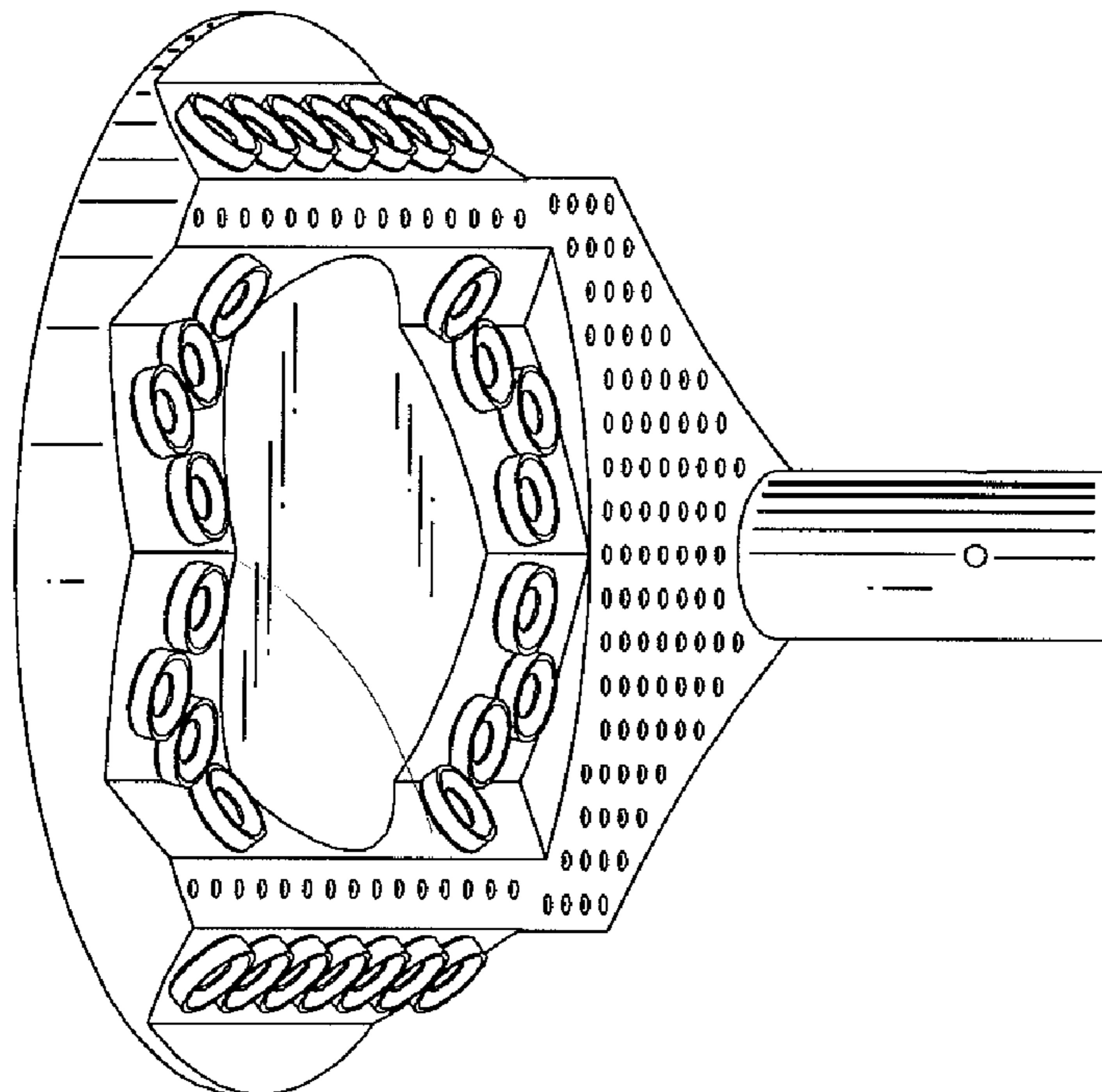


FIG. 2

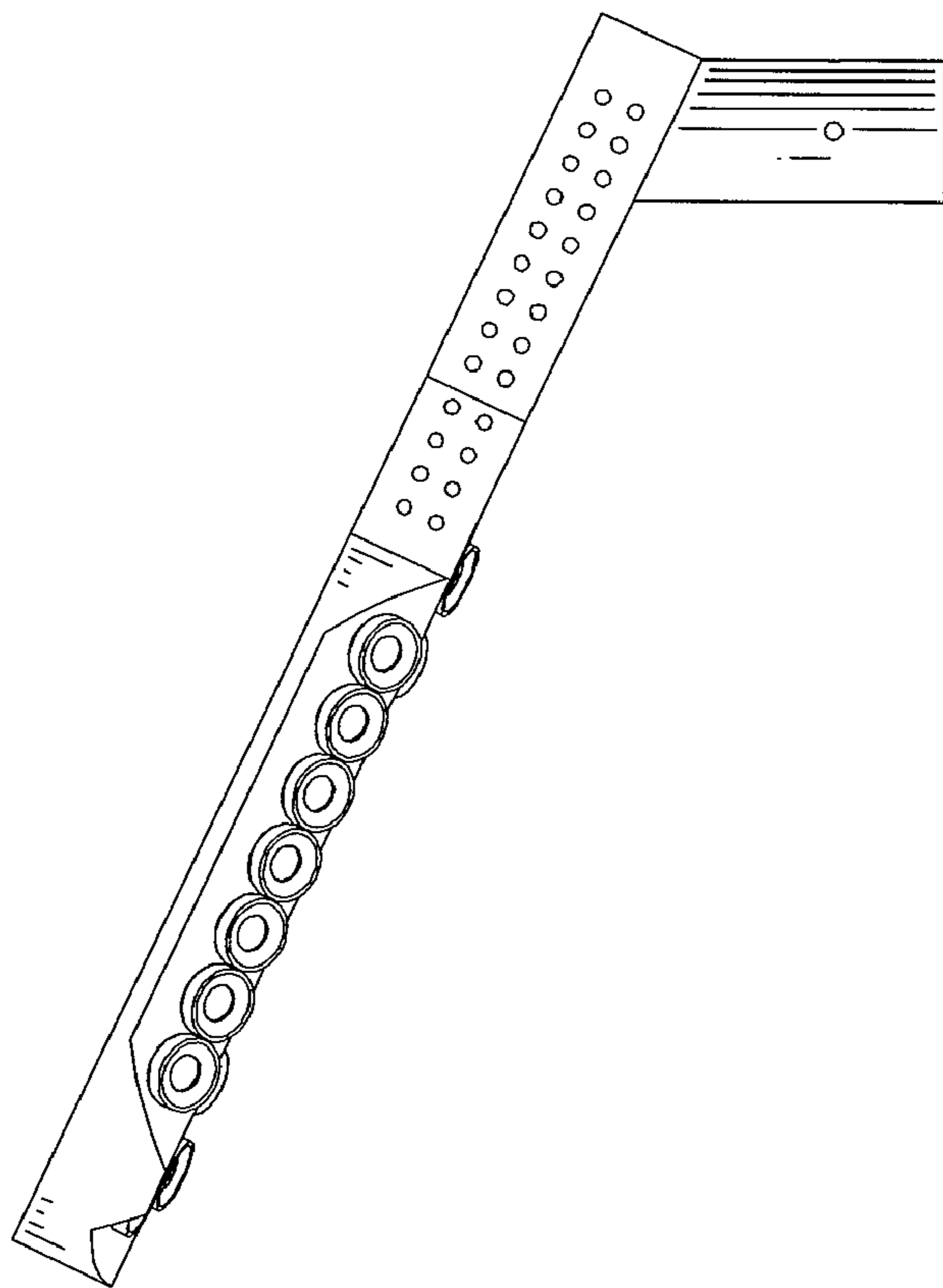


FIG. 5

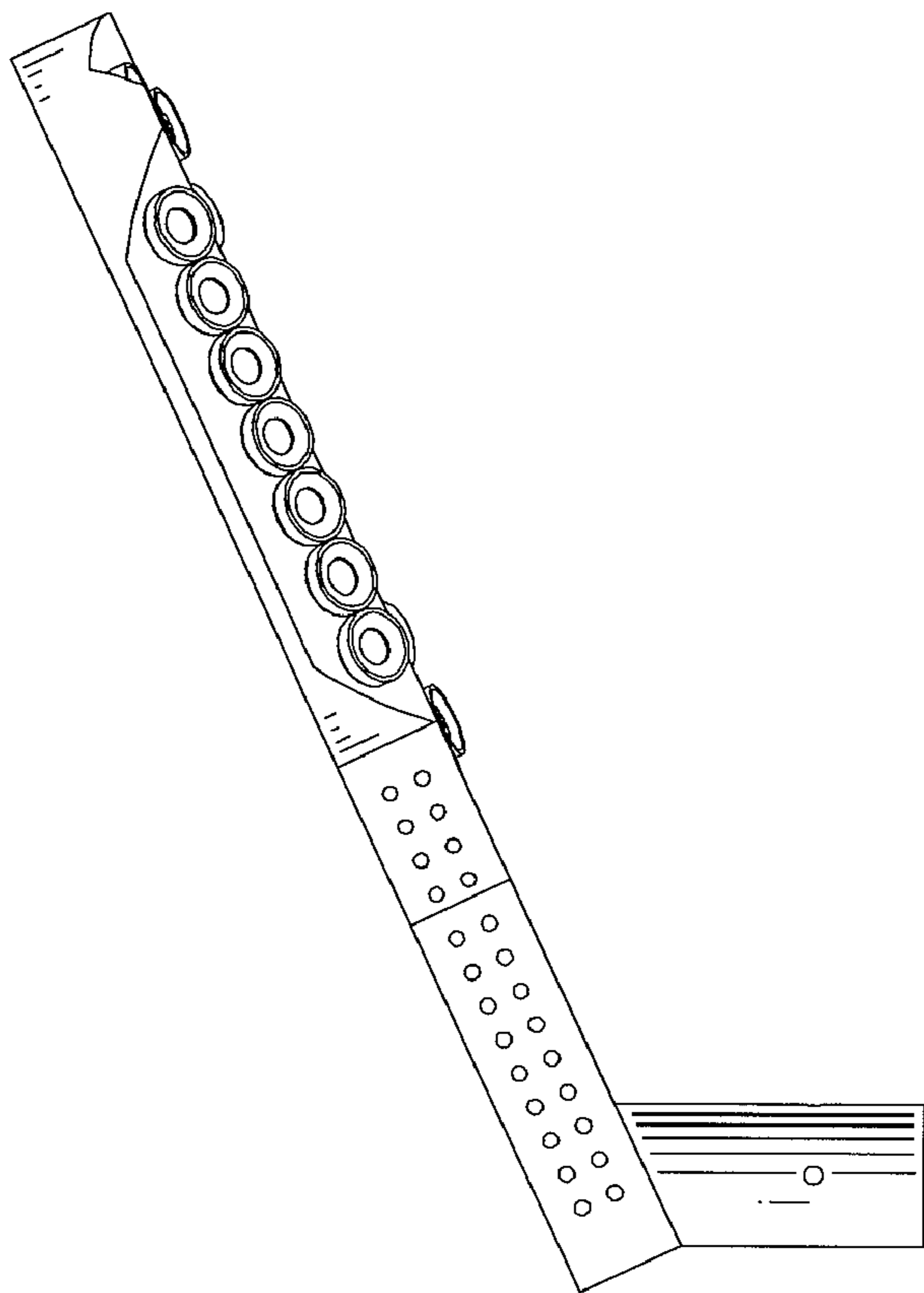


FIG. 4

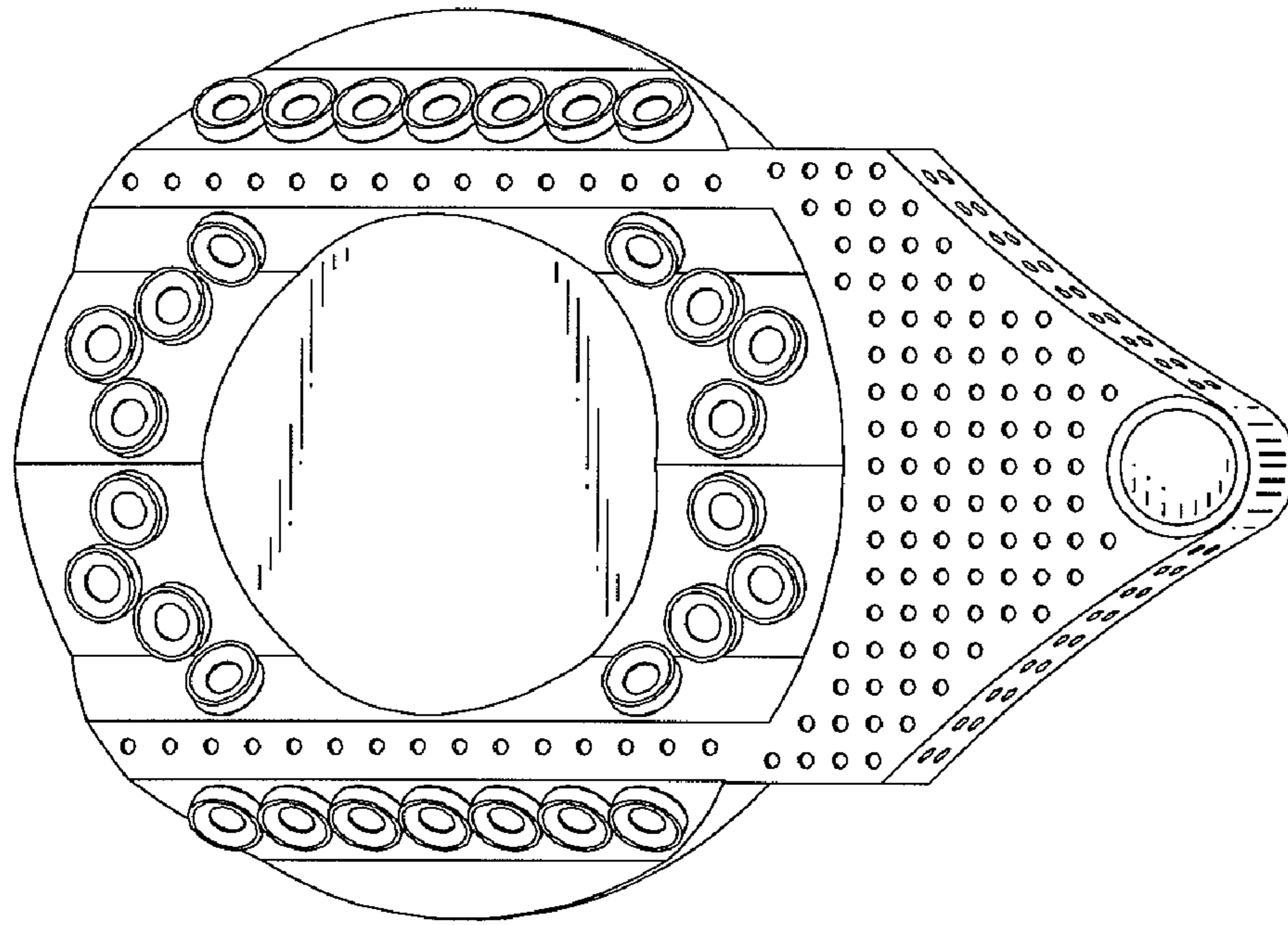


FIG. 7

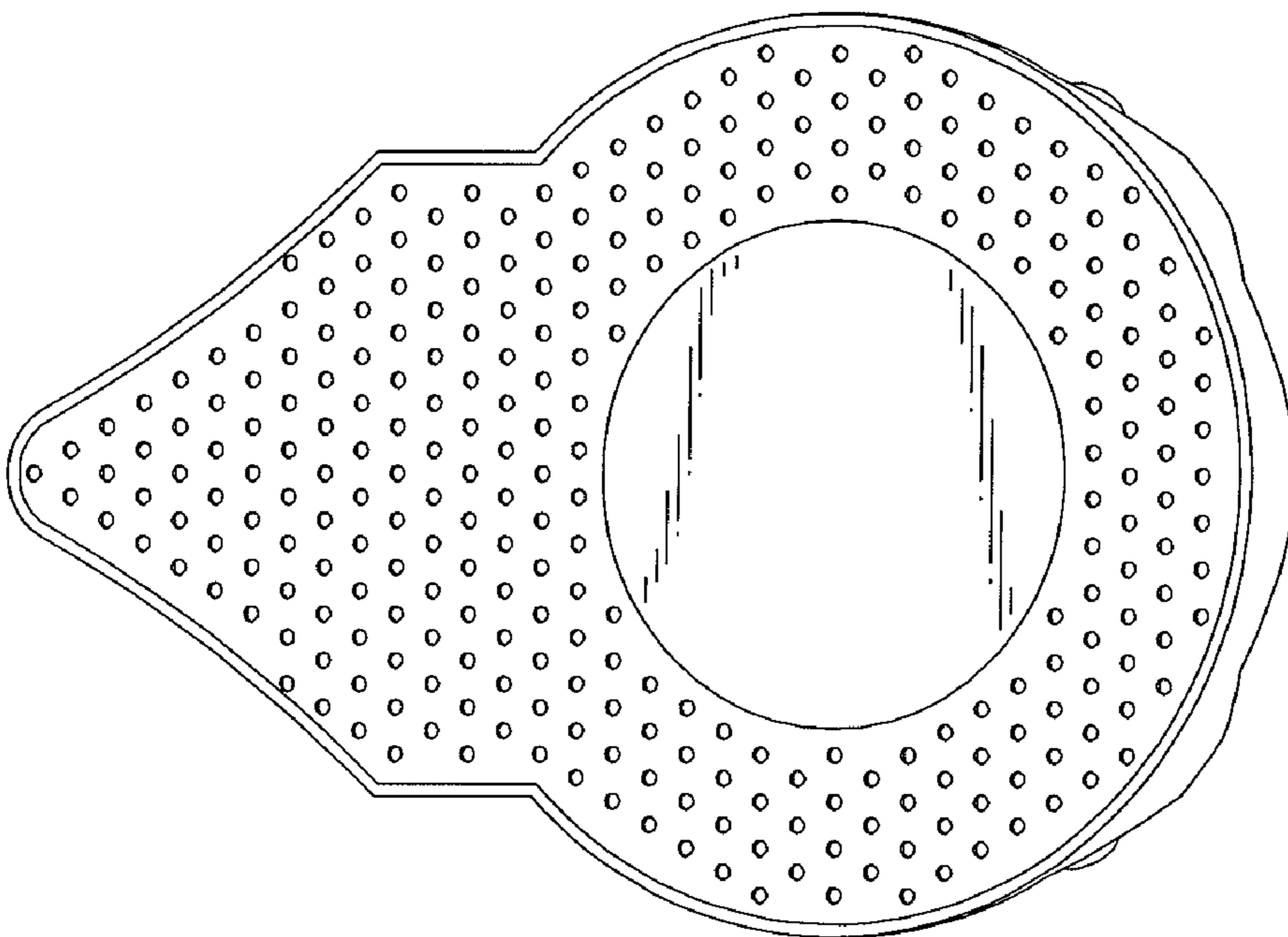


FIG. 6

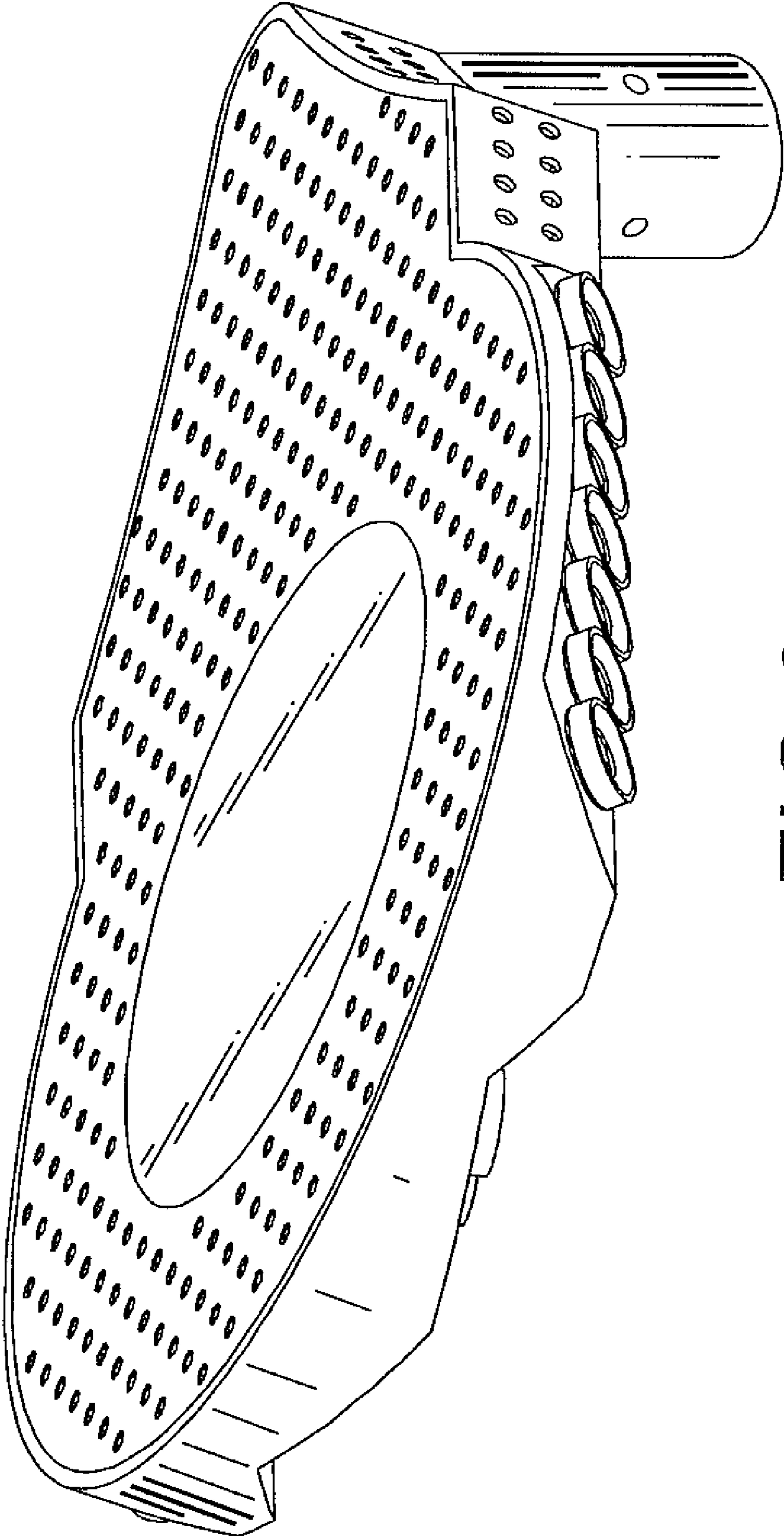


FIG. 8