



US00D636105S

(12) **United States Design Patent**
Gielen

(10) **Patent No.:** **US D636,105 S**

(45) **Date of Patent:** **** Apr. 12, 2011**

(54) **LUMINAIRE**

(75) Inventor: **Wim Gielen**, Antwerp (BE)

(73) Assignee: **Koninklijke Philips Electronics N.V.**,
Eindhoven (NL)

(**) Term: **14 Years**

(21) Appl. No.: **29/360,785**

(22) Filed: **Apr. 30, 2010**

(30) **Foreign Application Priority Data**

Nov. 5, 2009 (EM) 001632670-0001

(51) **LOC (9) Cl.** **26-05**

(52) **U.S. Cl.** **D26/63**

(58) **Field of Classification Search** D26/60-72,
D26/74, 79, 81-89, 75, 118; 362/147, 148,
362/269, 270, 282, 285, 364-366, 371, 372,
362/404, 413

See application file for complete search history.

(56) **References Cited**

U.S. PATENT DOCUMENTS

D544,128 S * 6/2007 Carro D26/74
D571,497 S * 6/2008 Chan et al. D26/74
D586,942 S * 2/2009 Chan et al. D26/118
D587,394 S * 2/2009 Pickard et al. D26/118

OTHER PUBLICATIONS

Single Adjustable Ceiling Light. © 2008-2009. [Retrieved on Sep. 15, 2010]. Retrieved from the Internet <URL: <http://www.thelightcompany.co.uk/scripts/prodView.asp?idproduct=142>>.*

* cited by examiner

Primary Examiner — Philip S Hyder
Assistant Examiner — Linda G. Brooks

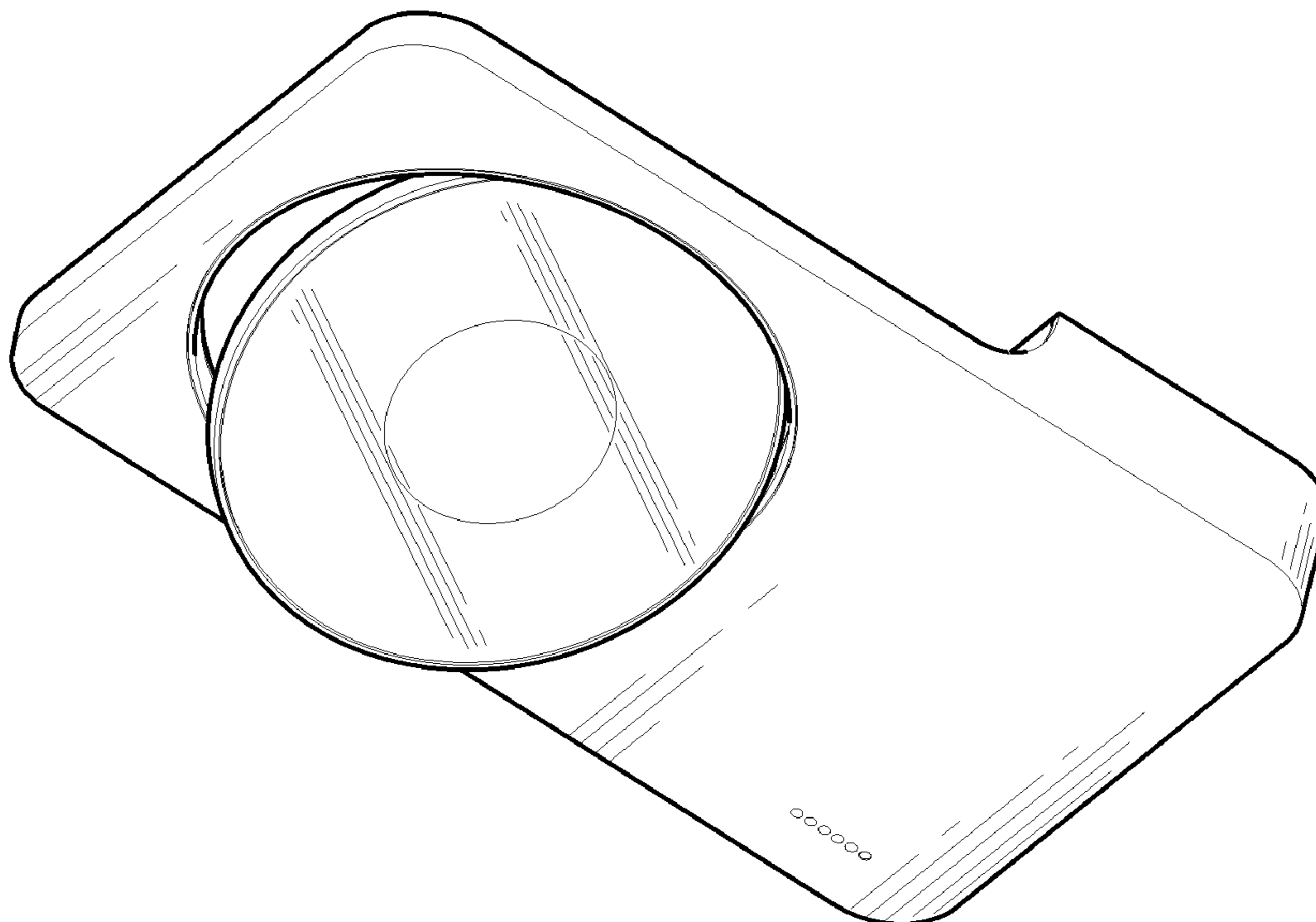
(57) **CLAIM**

The ornamental design for a luminaire, as shown.

DESCRIPTION

FIG. 1 is a perspective view showing my design;
FIG. 2 is a front elevational view thereof;
FIG. 3 is a rear elevational view thereof;
FIG. 4 is a right side elevational view thereof;
FIG. 5 is a left side elevational view thereof;
FIG. 6 is a top plan view thereof; and,
FIG. 7 is a bottom plan view thereof.

1 Claim, 4 Drawing Sheets



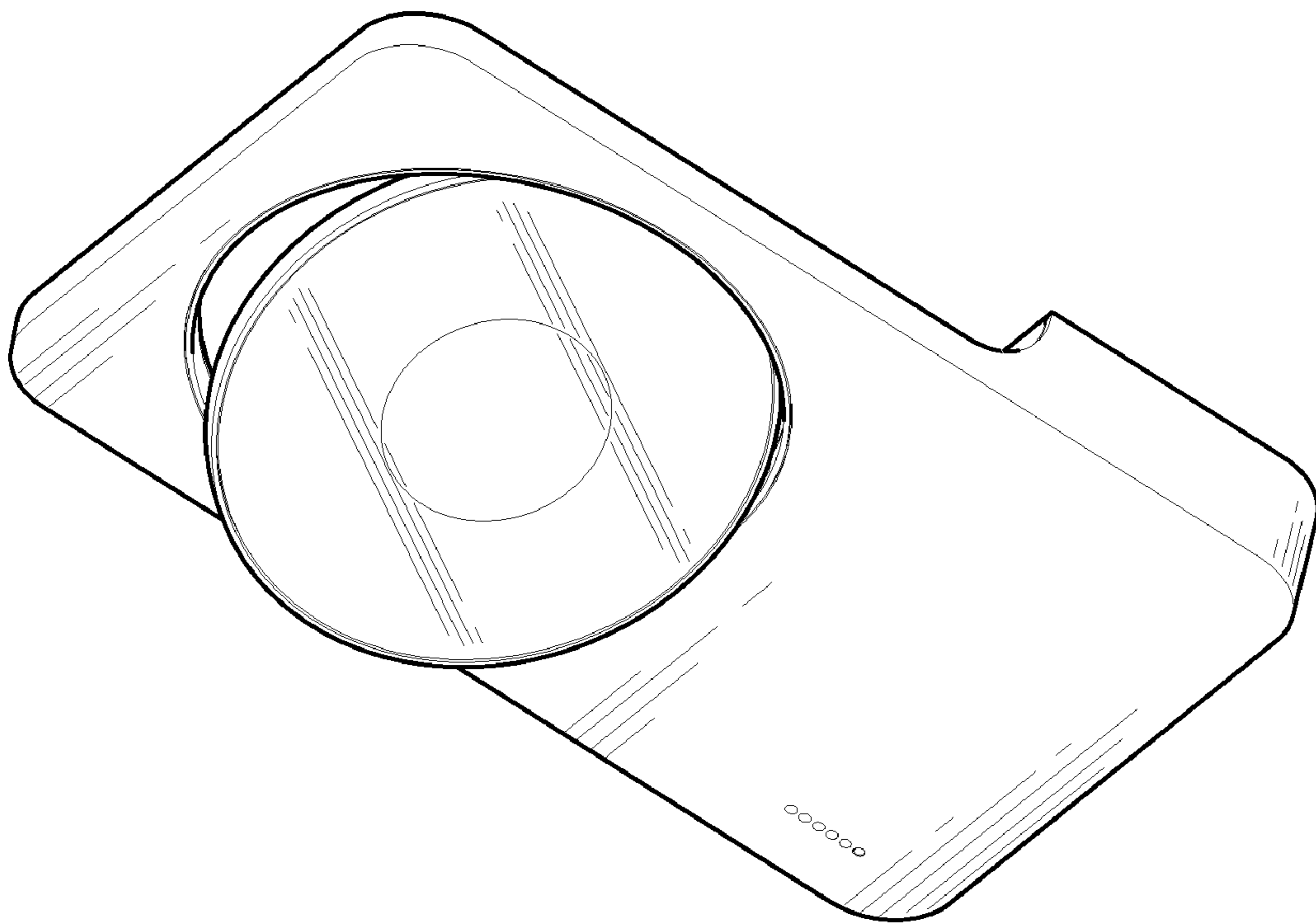


FIG. 1

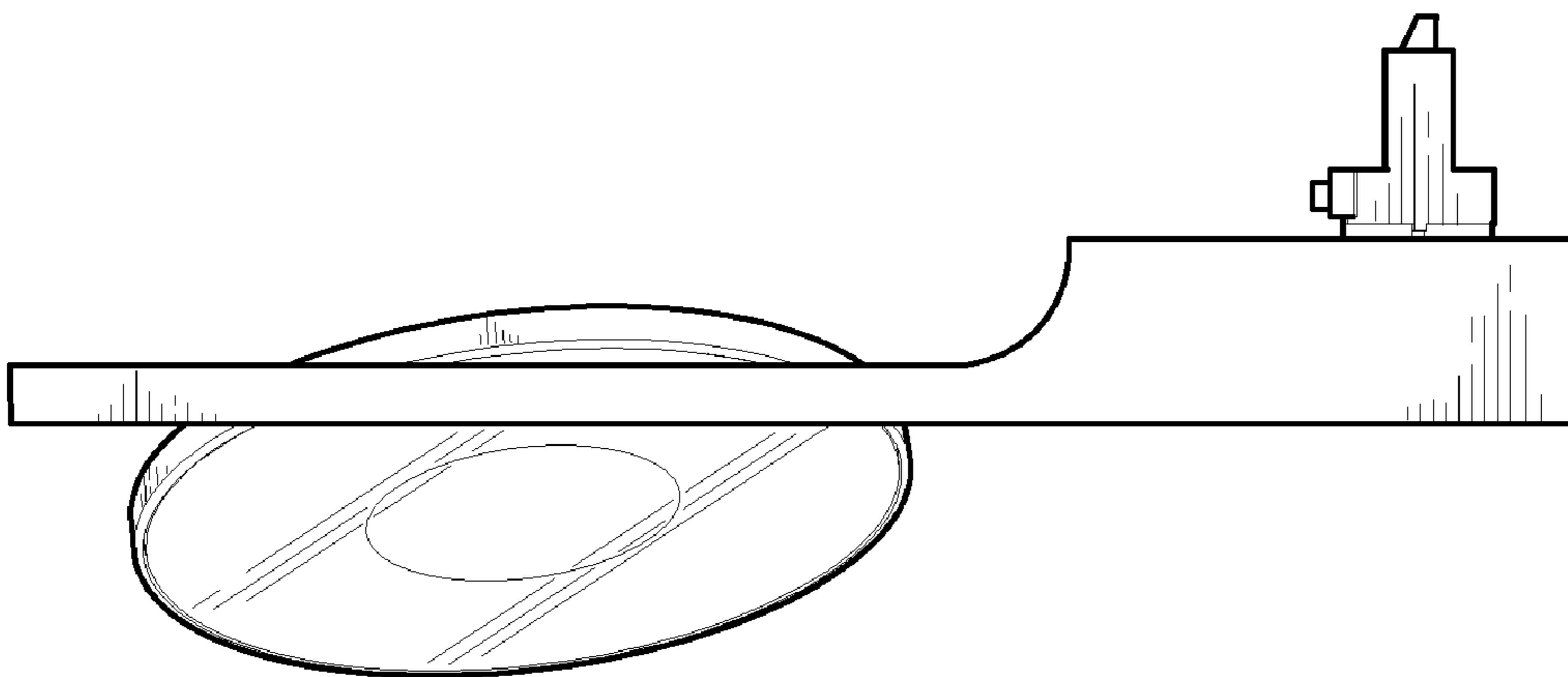


FIG. 2

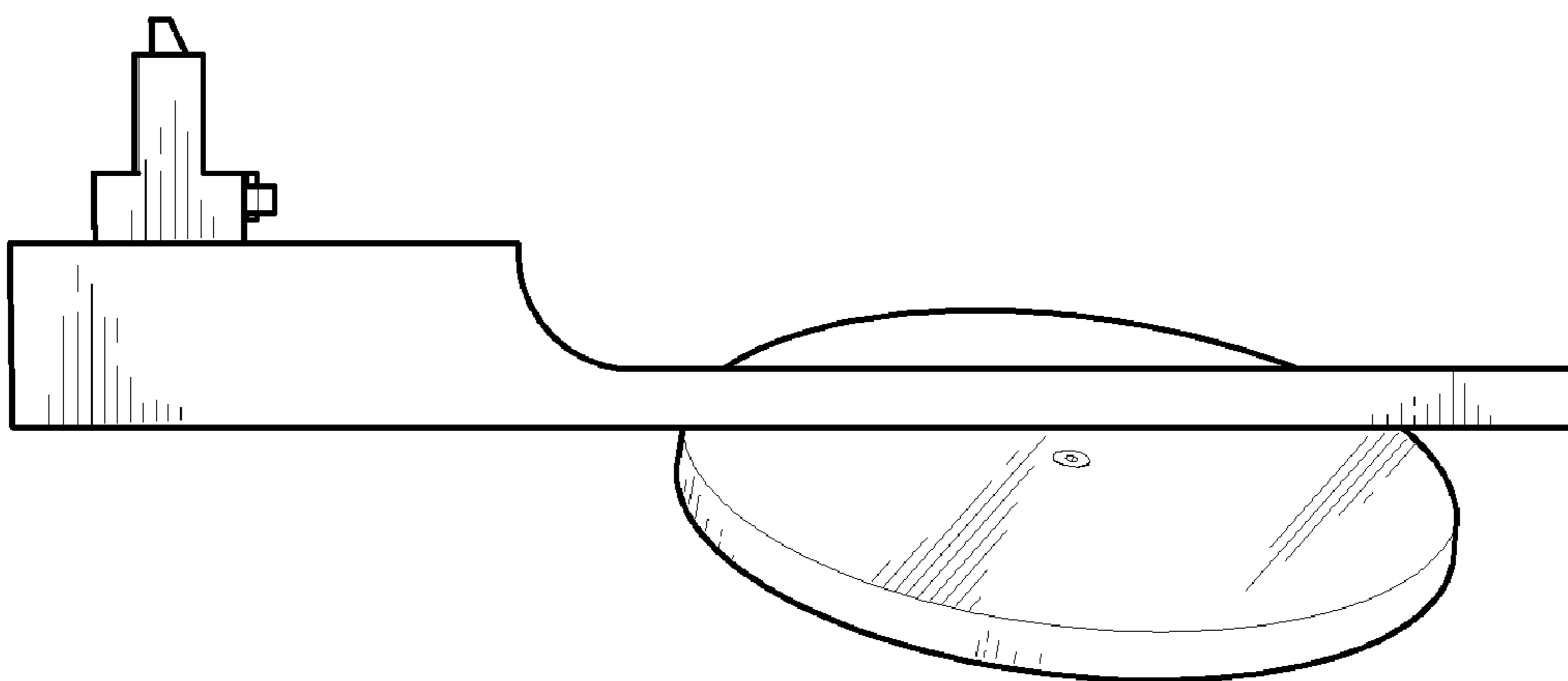


FIG. 3

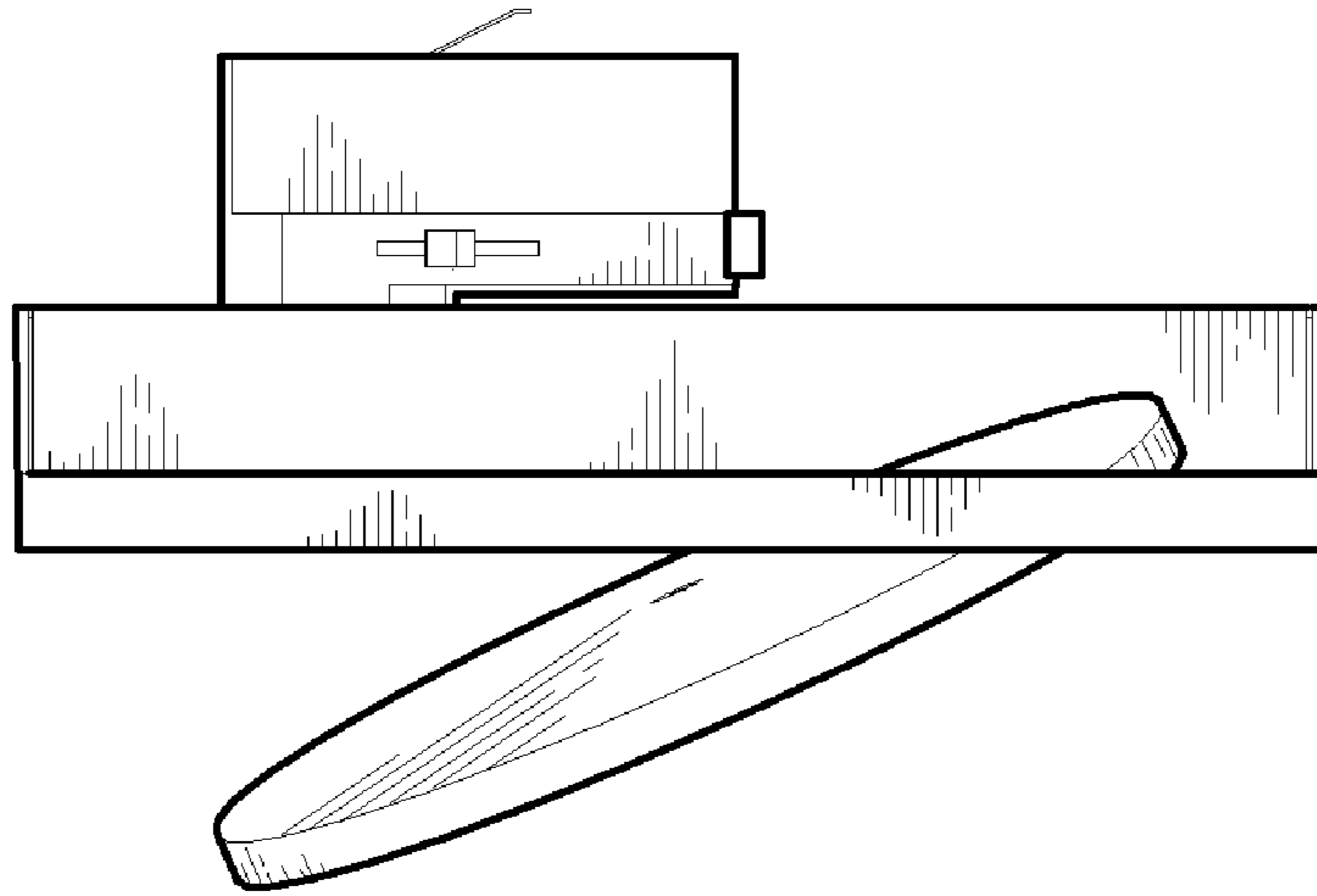


FIG. 4

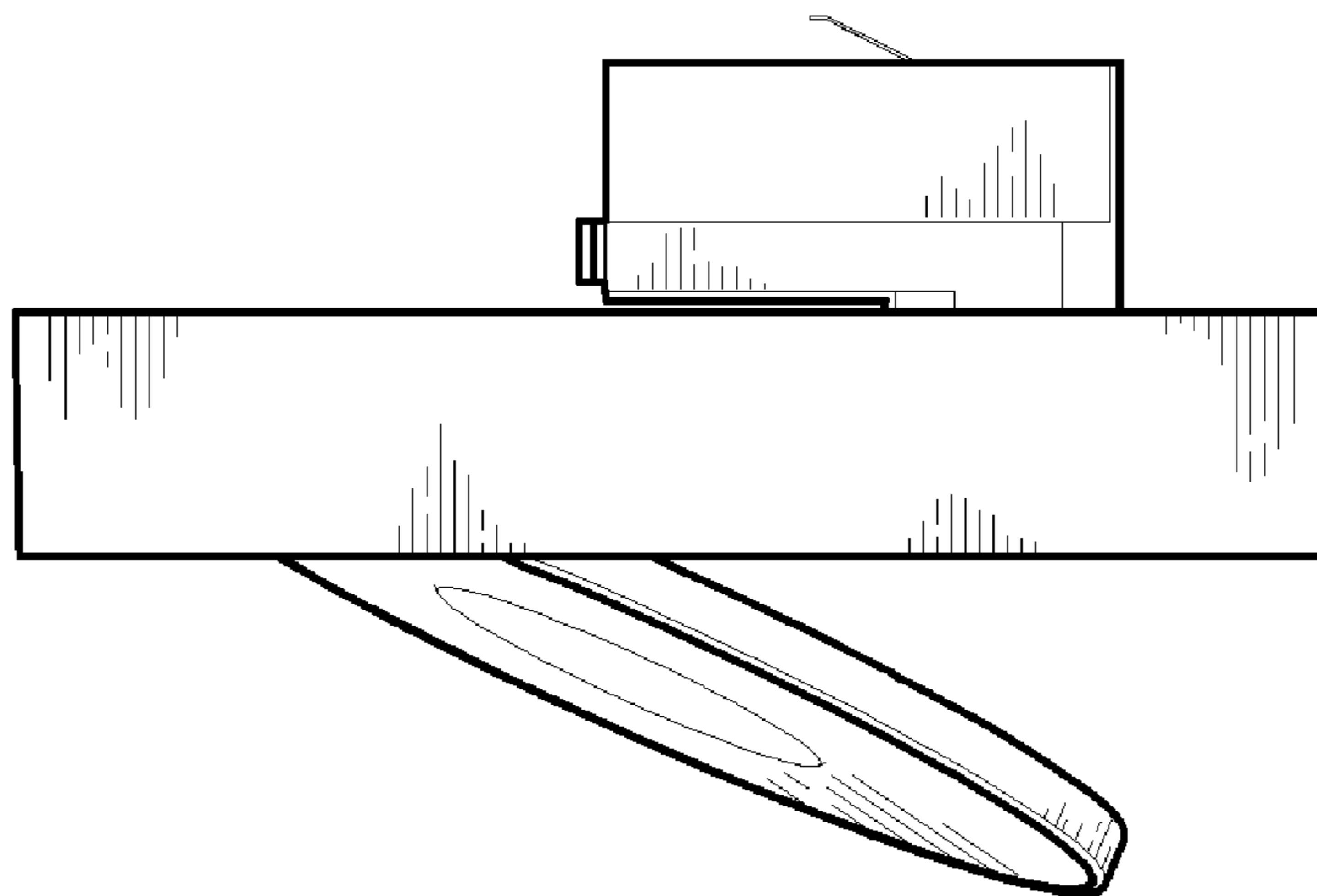


FIG. 5

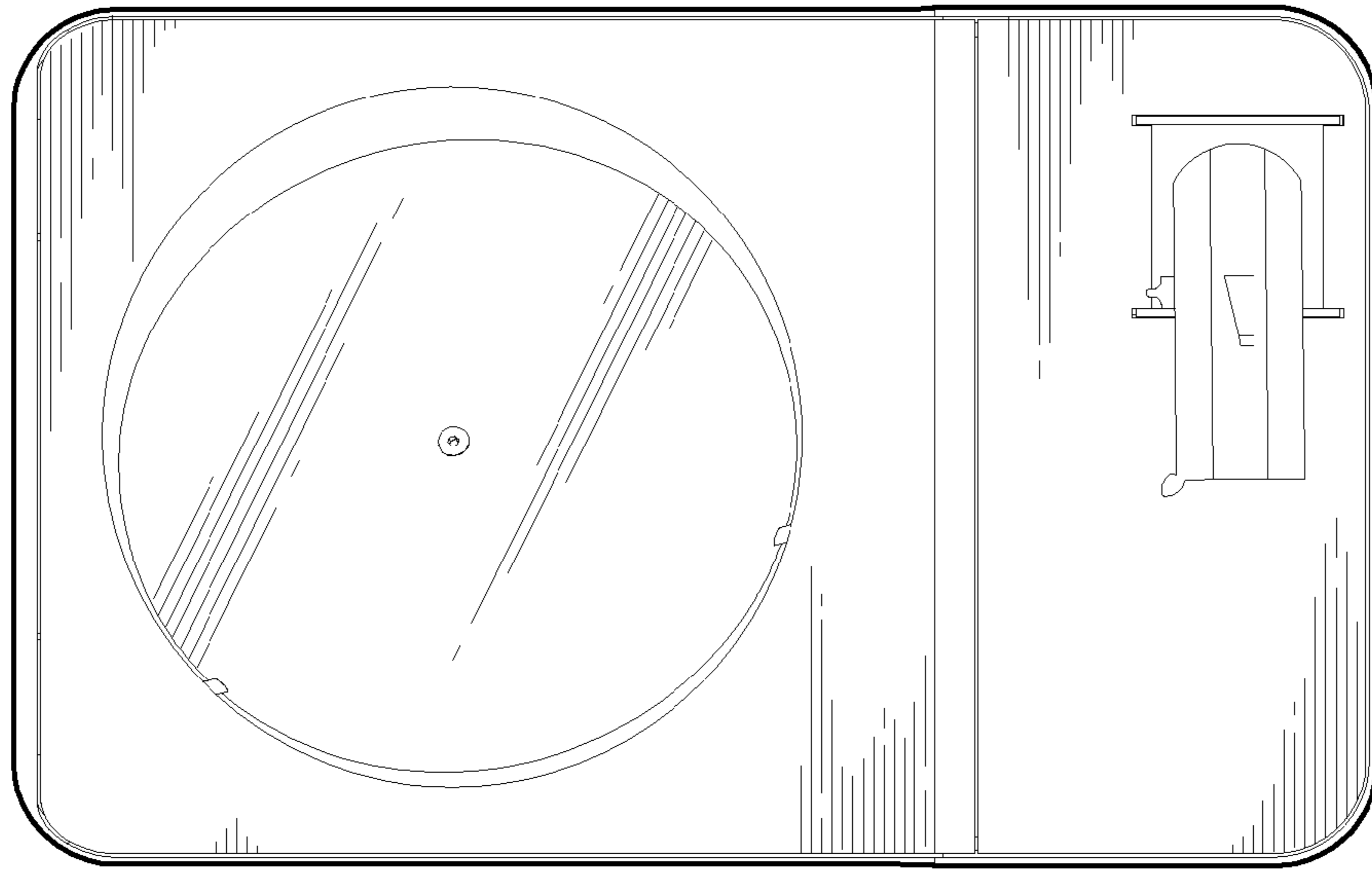


FIG. 6

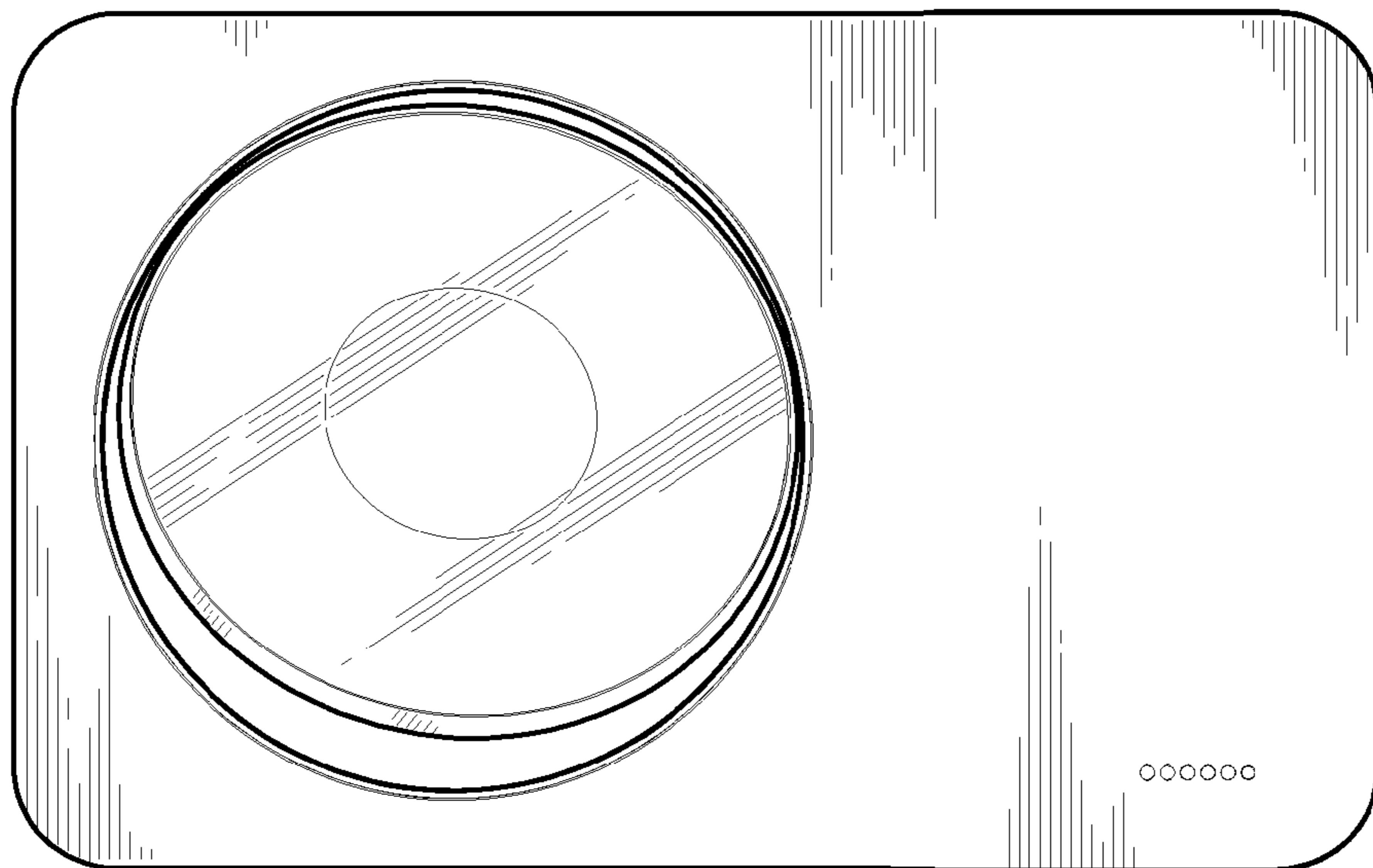


FIG. 7