

US00D636104S

(12) **United States Design Patent**
Chang

(10) **Patent No.:** **US D636,104 S**

(45) **Date of Patent:** **** Apr. 12, 2011**

(54) **HEAD-MOUNTED LED LIGHT**

(75) Inventor: **B. Jin Chang**, Ann Arbor, MI (US)

(73) Assignee: **General Scientific Corporation**, Ann Arbor, MI (US)

(**) Term: **14 Years**

(21) Appl. No.: **29/296,130**

(22) Filed: **Oct. 15, 2007**

(51) **LOC (9) Cl.** **26-02**

(52) **U.S. Cl.** **D26/39**

(58) **Field of Classification Search** D26/37,
D26/38, 39, 40, 46, 49, 50, 51, 56; 362/157,
362/158, 184, 186, 187, 194-196, 202, 204-206,
362/208, 253

See application file for complete search history.

(56) **References Cited**

U.S. PATENT DOCUMENTS

D298,058 S *	10/1988	Hosick	D26/44
D353,012 S *	11/1994	Mihavetz	D26/39
D447,587 S *	9/2001	Poon	D26/39
D465,043 S *	10/2002	Halasz	D26/39
D508,140 S *	8/2005	Sharrah	D26/39
D526,079 S *	8/2006	Heun	D26/60
D602,185 S *	10/2009	Chang	D26/36

* cited by examiner

Primary Examiner — Ian Simmons

Assistant Examiner — Carissa C Fitts

(74) *Attorney, Agent, or Firm* — Gifford, Krass, Sprinkle, Anderson & Citkowski, P.C.

(57) **CLAIM**

The ornamental design for a head-mounted LED light, as shown and described.

DESCRIPTION

FIG. 1 is a perspective view of the right side of the present invention, the broken lines shown are for illustrative purposes and form no part of the claimed design;

FIG. 2 is a perspective view of the left side of the present invention, the broken lines shown are for illustrative purposes and form no part of the claimed design;

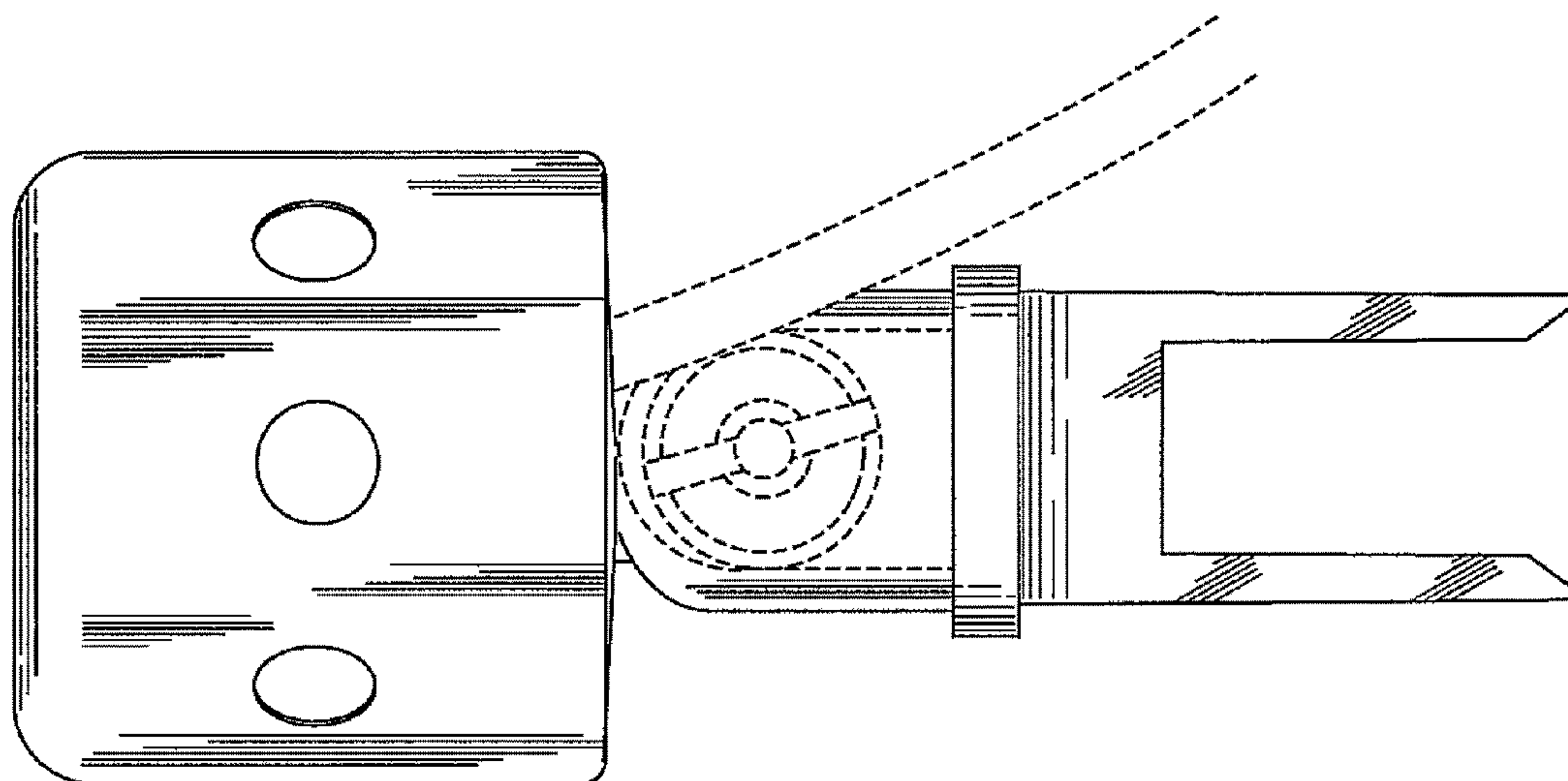
FIG. 3 is a perspective view of the top side of the present invention, the broken lines shown are for illustrative purposes and form no part of the claimed design;

FIG. 4 is a perspective view of the bottom side of the present invention, the broken lines shown are for illustrative purposes and form no part of the claimed design;

FIG. 5 is a perspective view of the back side of the present invention, the broken lines shown are for illustrative purposes and form no part of the claimed design; and,

FIG. 6 is a perspective view of the front side of the present invention, the broken lines shown are for illustrative purposes and form no part of the claimed design.

1 Claim, 3 Drawing Sheets



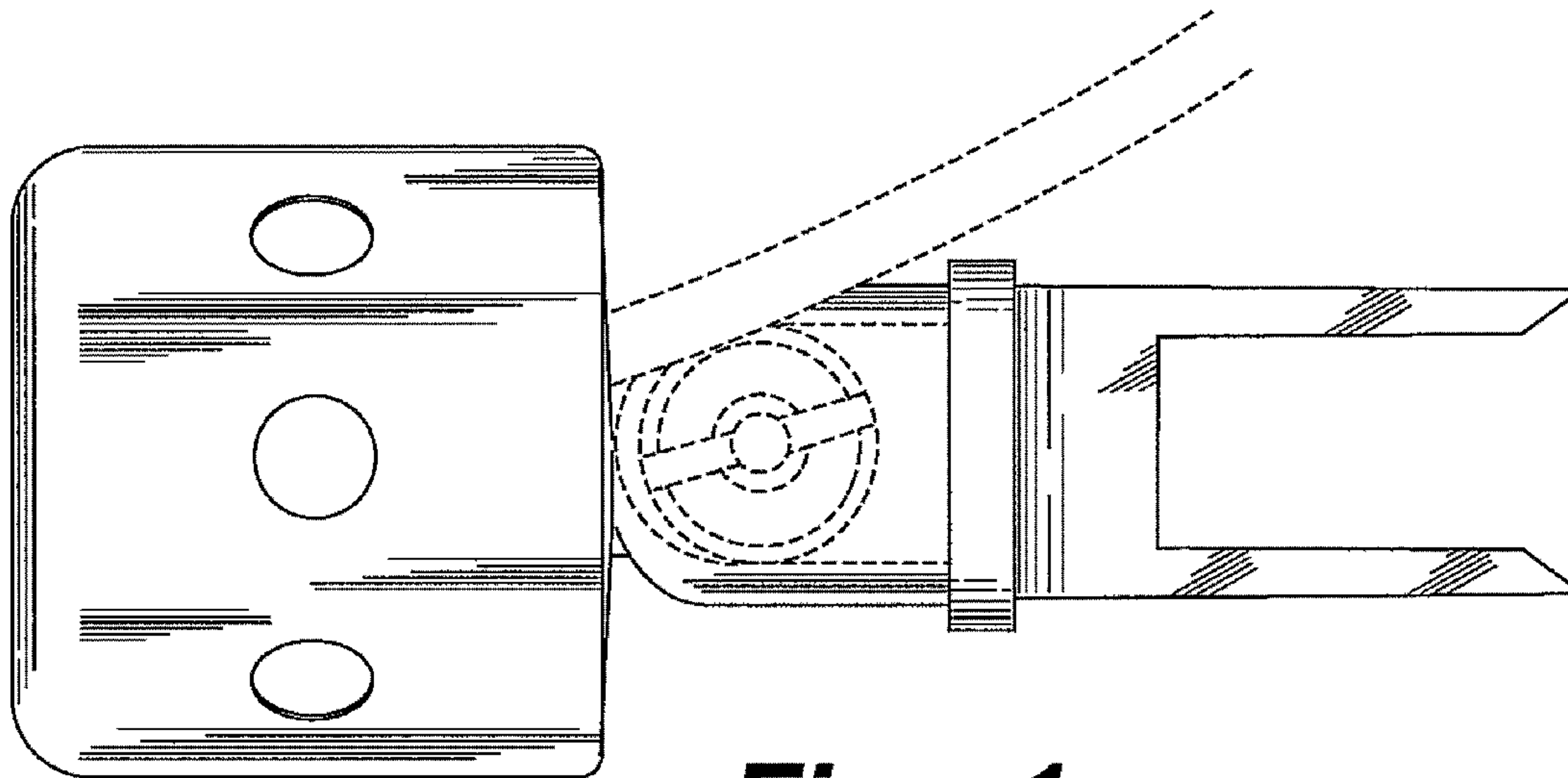


Fig - 1

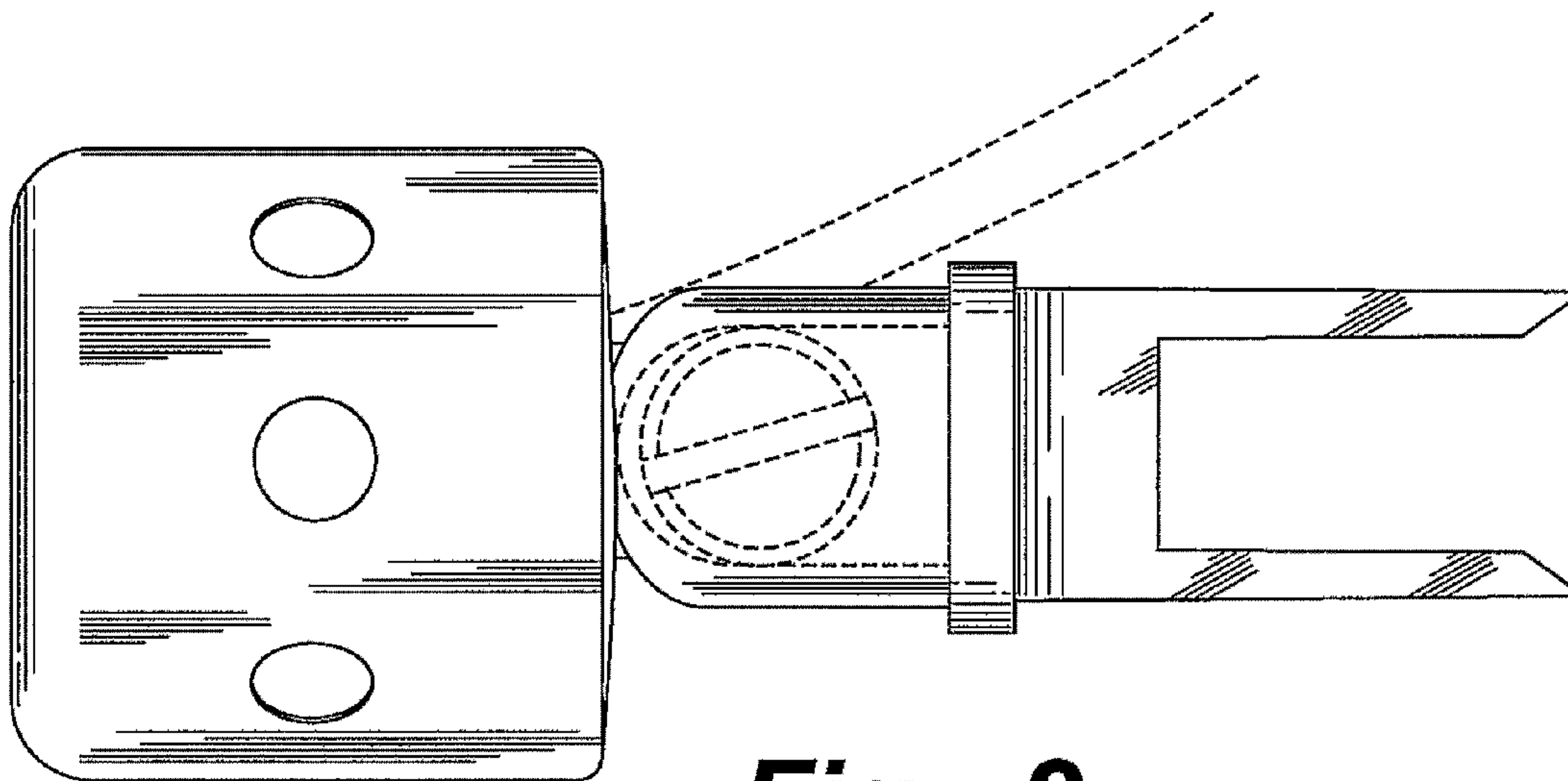


Fig - 2

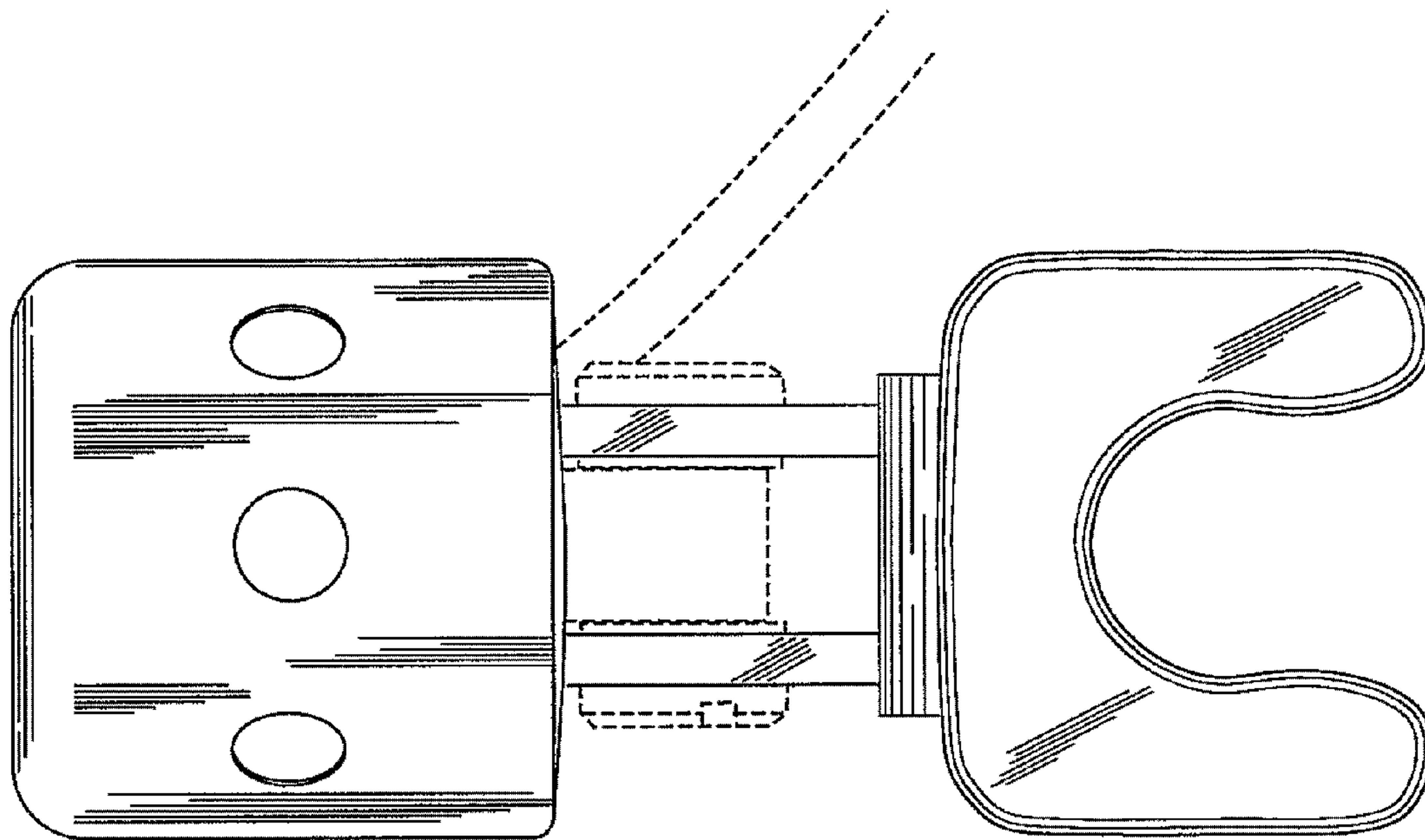


Fig - 3

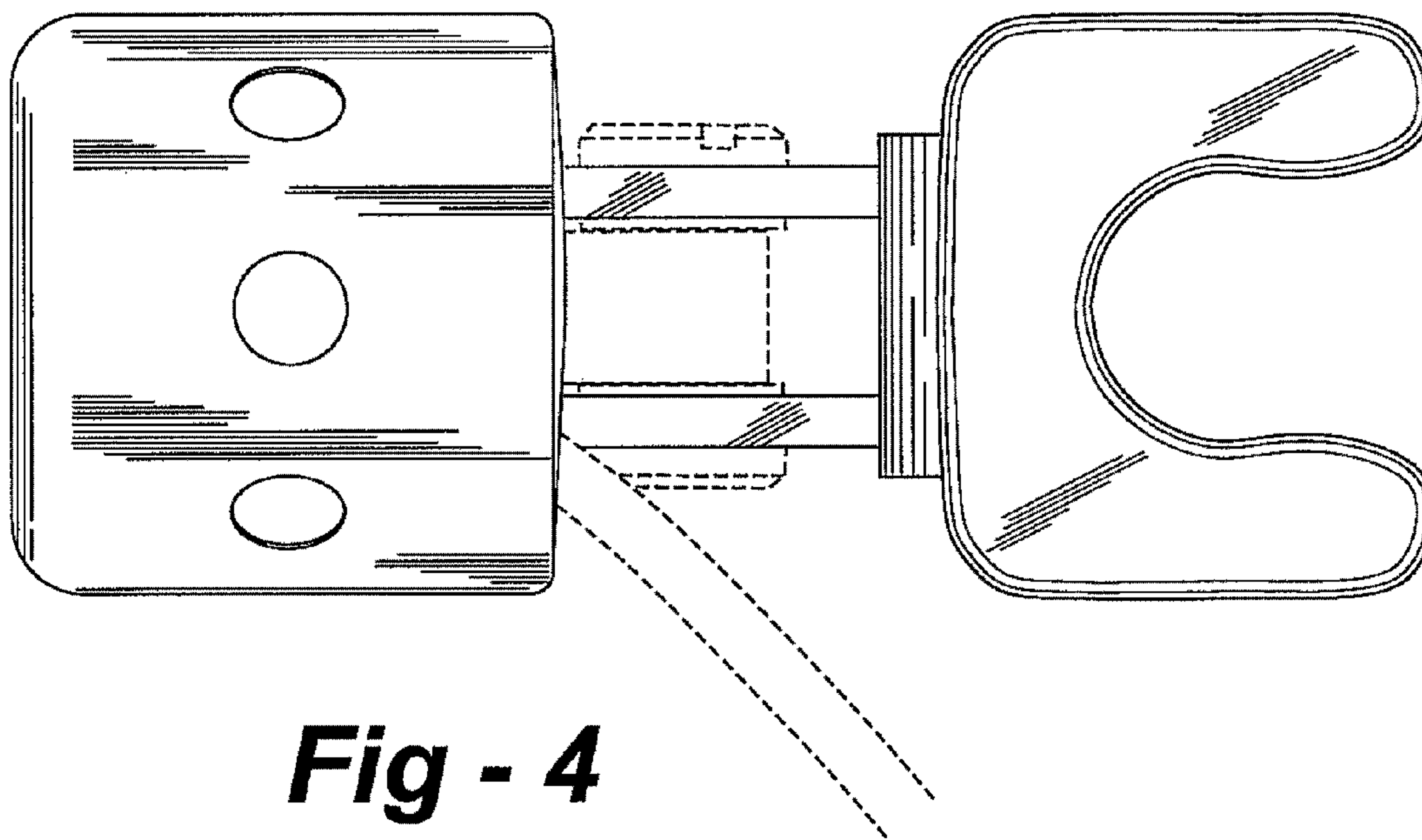


Fig - 4

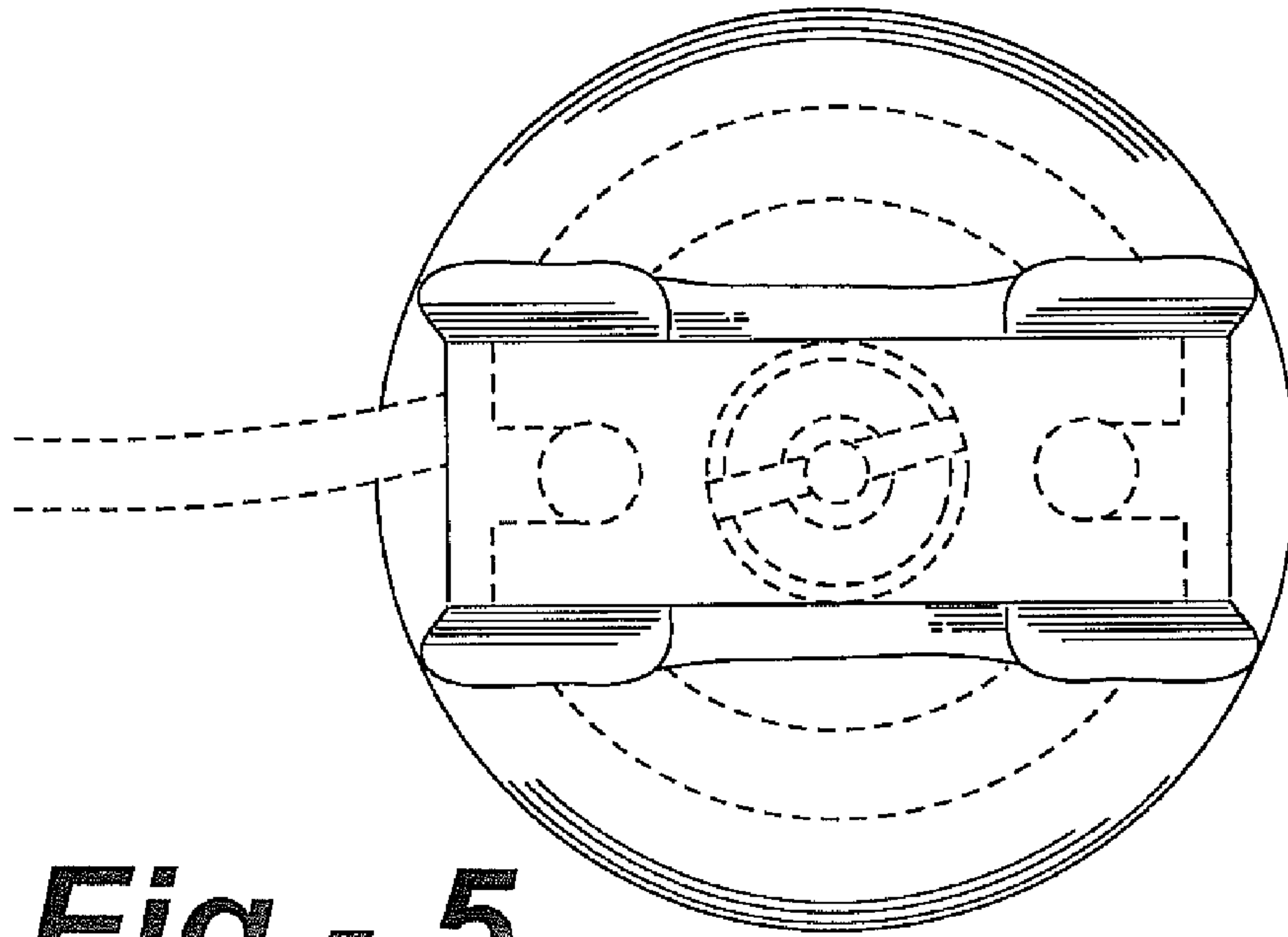


Fig - 5

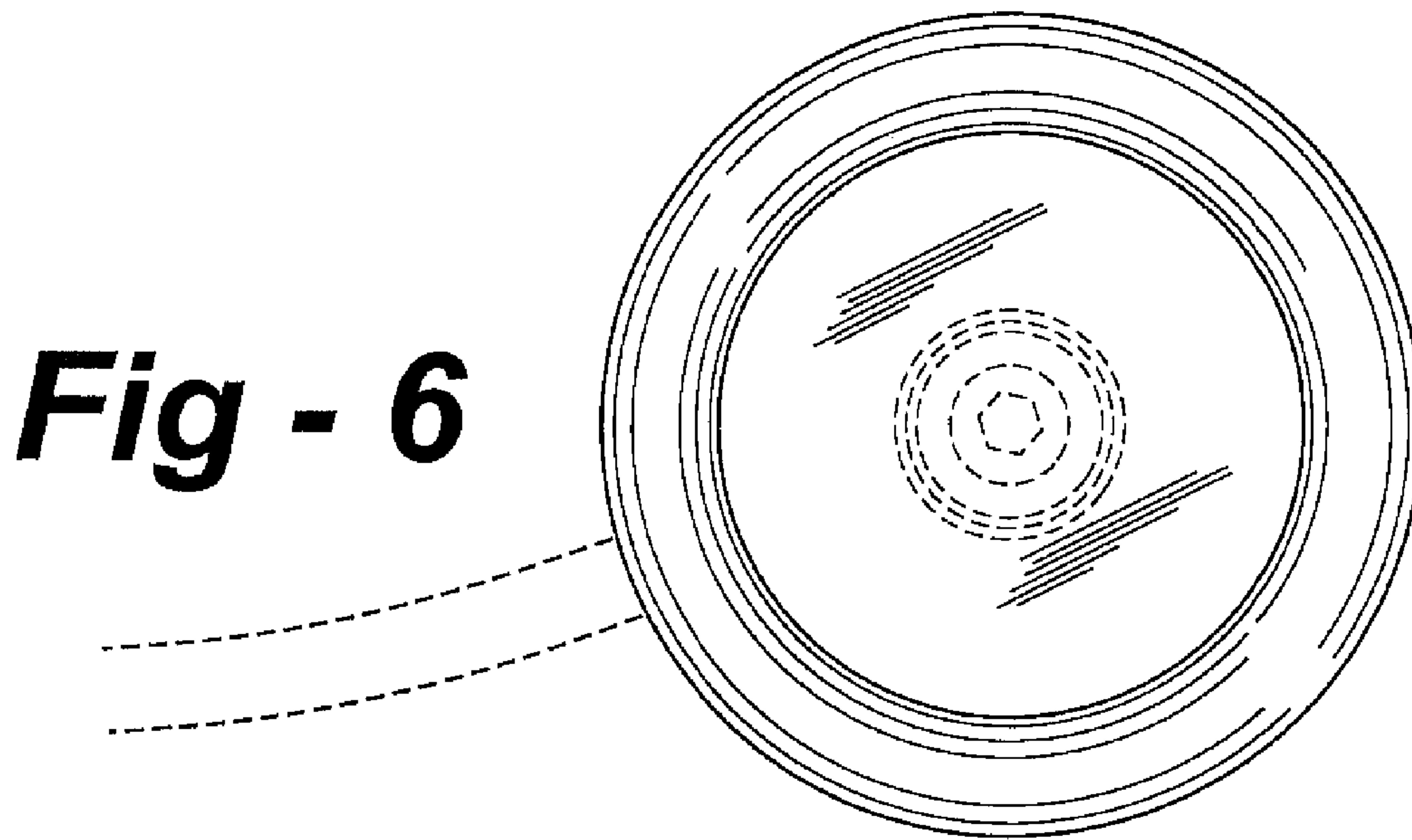


Fig - 6