



US00D636102S

(12) **United States Design Patent**  
**Matei et al.**

(10) **Patent No.:** **US D636,102 S**  
(45) **Date of Patent:** **\*\* Apr. 12, 2011**

(54) **VEHICLE HEADLIGHT**

(75) Inventors: **Catalin Matei**, Redondo Beach, CA (US); **Roger A. Brown**, Corona, CA (US)

(73) Assignee: **Honda Motor Co., Ltd.**, Tokyo (JP)

(\*\*) Term: **14 Years**

(21) Appl. No.: **29/355,686**

(22) Filed: **Feb. 11, 2010**

(51) **LOC (9) Cl.** ..... **26-06**

(52) **U.S. Cl.** ..... **D26/28**

(58) **Field of Classification Search** ..... D26/28-36;  
362/459-468, 475-478, 485-487  
See application file for complete search history.

(56) **References Cited**

**U.S. PATENT DOCUMENTS**

- D470,934 S \* 2/2003 Pierson et al. .... D24/114
- D536,113 S \* 1/2007 Pfeiffer ..... D26/28
- D537,180 S \* 2/2007 Hsu ..... D26/28
- D550,383 S \* 9/2007 Asai ..... D26/28

D556,349 S \* 11/2007 Golden et al. .... D26/28

\* cited by examiner

*Primary Examiner* — Marcus A Jackson

(74) *Attorney, Agent, or Firm* — Plumsea Law Group, LLC;  
Mark E. Duell

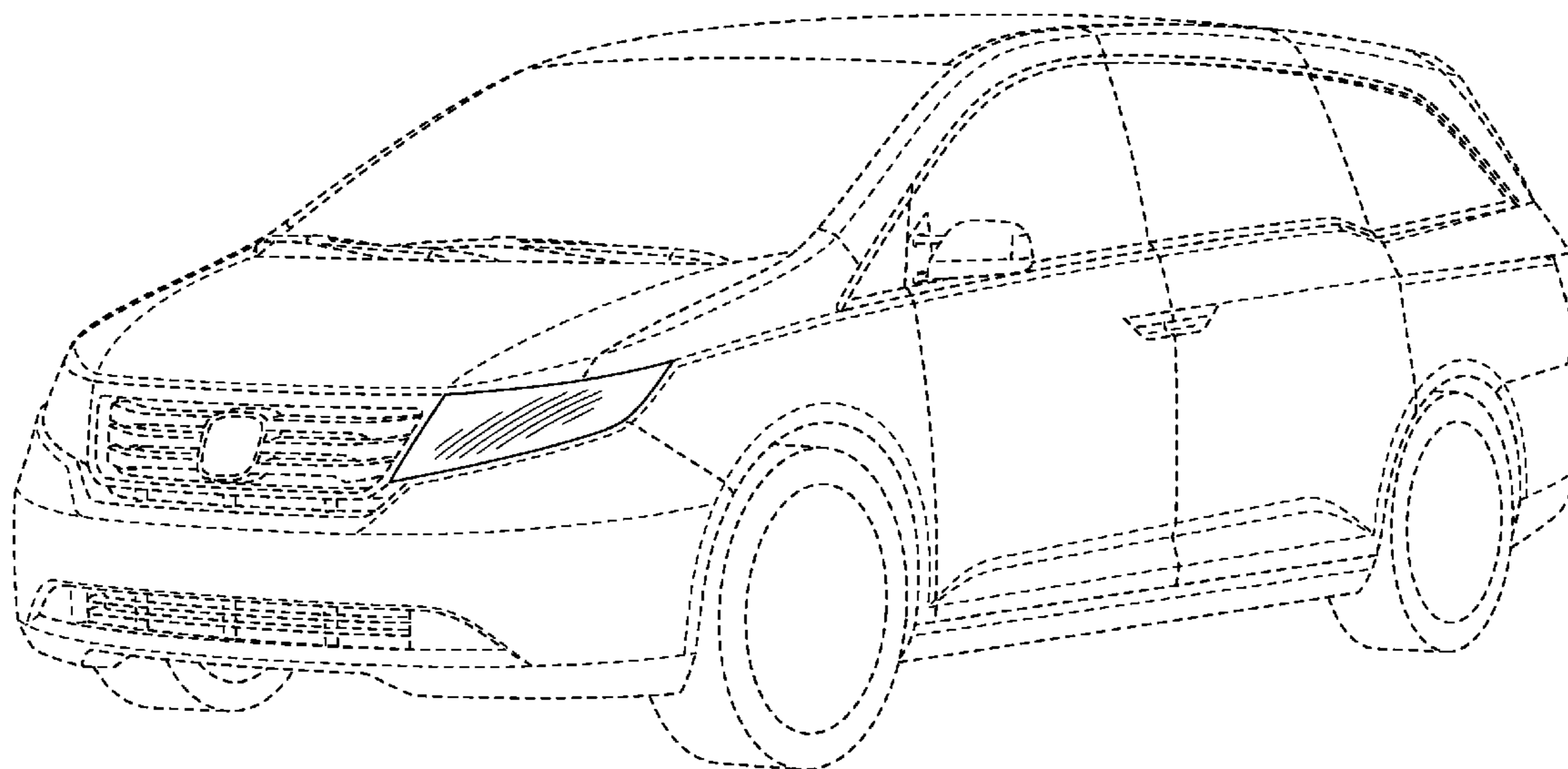
(57) **CLAIM**

The ornamental design for a vehicle headlight, as shown and described.

**DESCRIPTION**

FIG. 1 is a perspective view of a vehicle headlight showing our new design;  
FIG. 2 is an elevational view thereof;  
FIG. 3 is a side elevational view thereof;  
FIG. 4 is a top plan view thereof;  
FIG. 5 is a perspective view of a left side thereof;  
FIG. 6 is an elevational view of the left side thereof;  
FIG. 7 is a side elevational view of the left side thereof; and,  
FIG. 8 is a top plan view of the left side thereof.  
The broken line showings of the remainder of the vehicle form no part of the claimed design.

**1 Claim, 8 Drawing Sheets**



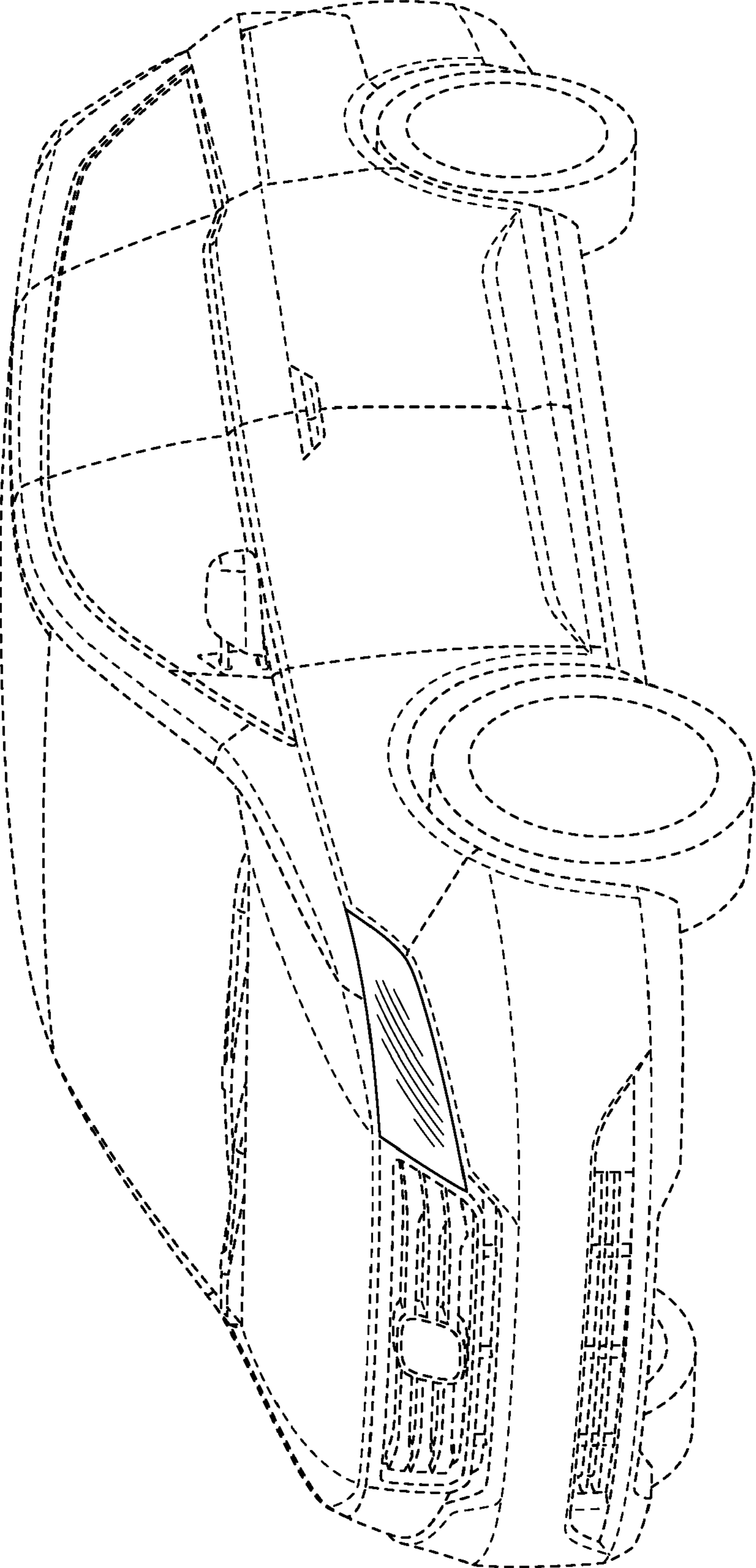


FIG. 1

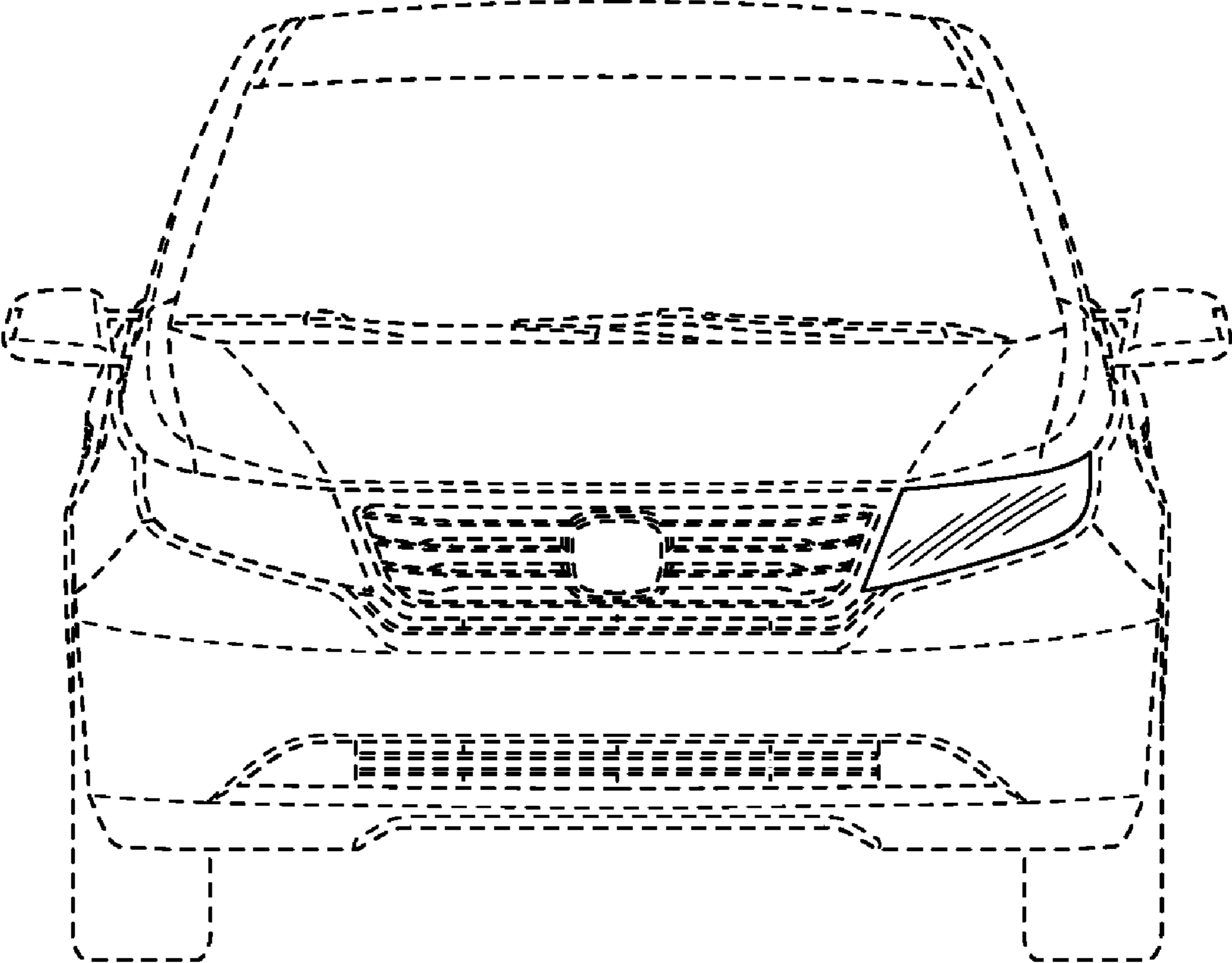


FIG. 2

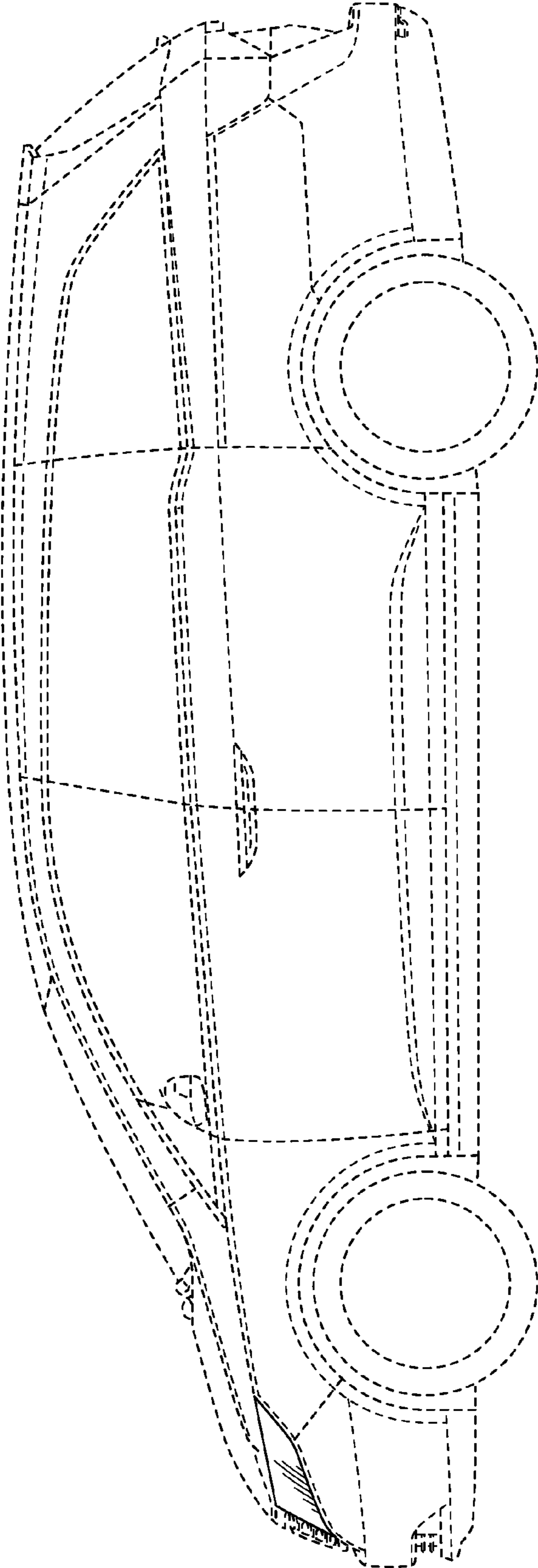


FIG. 3

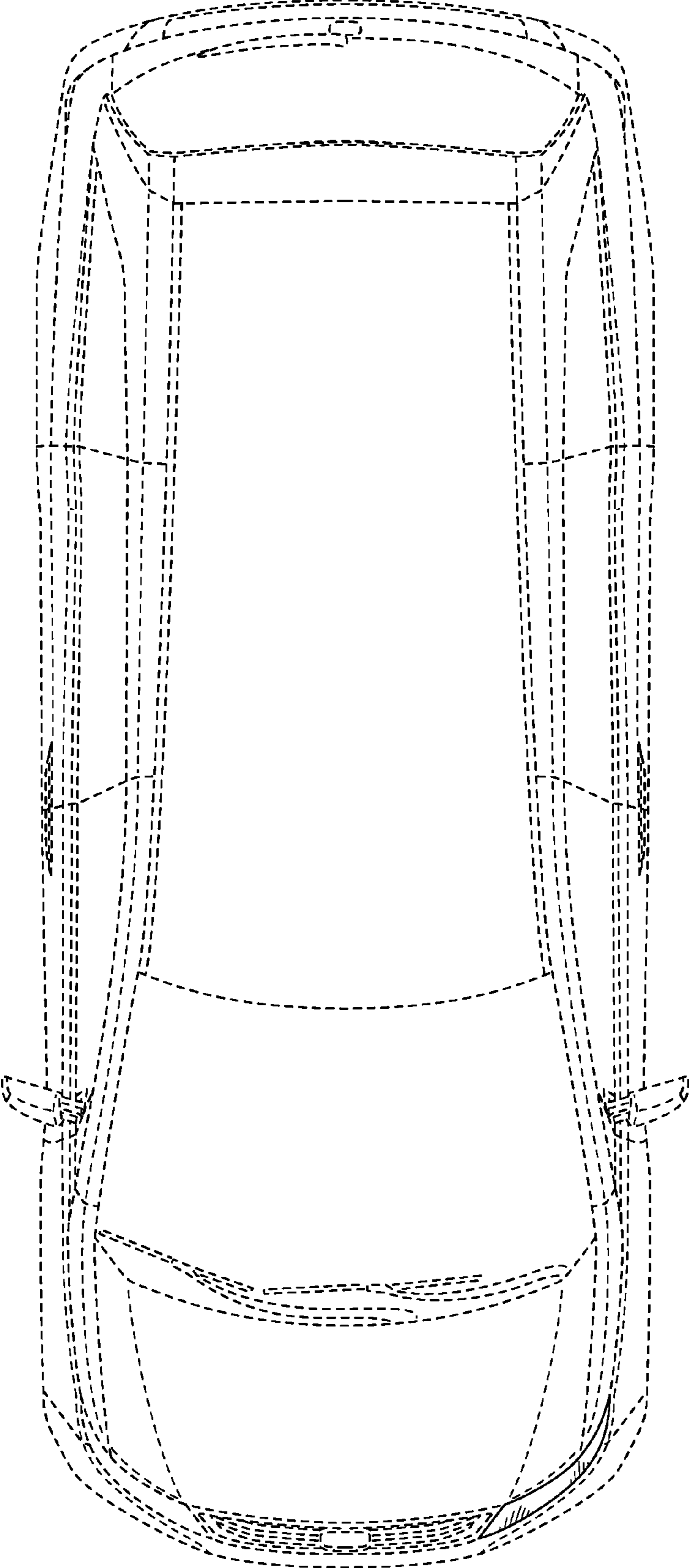


FIG. 4



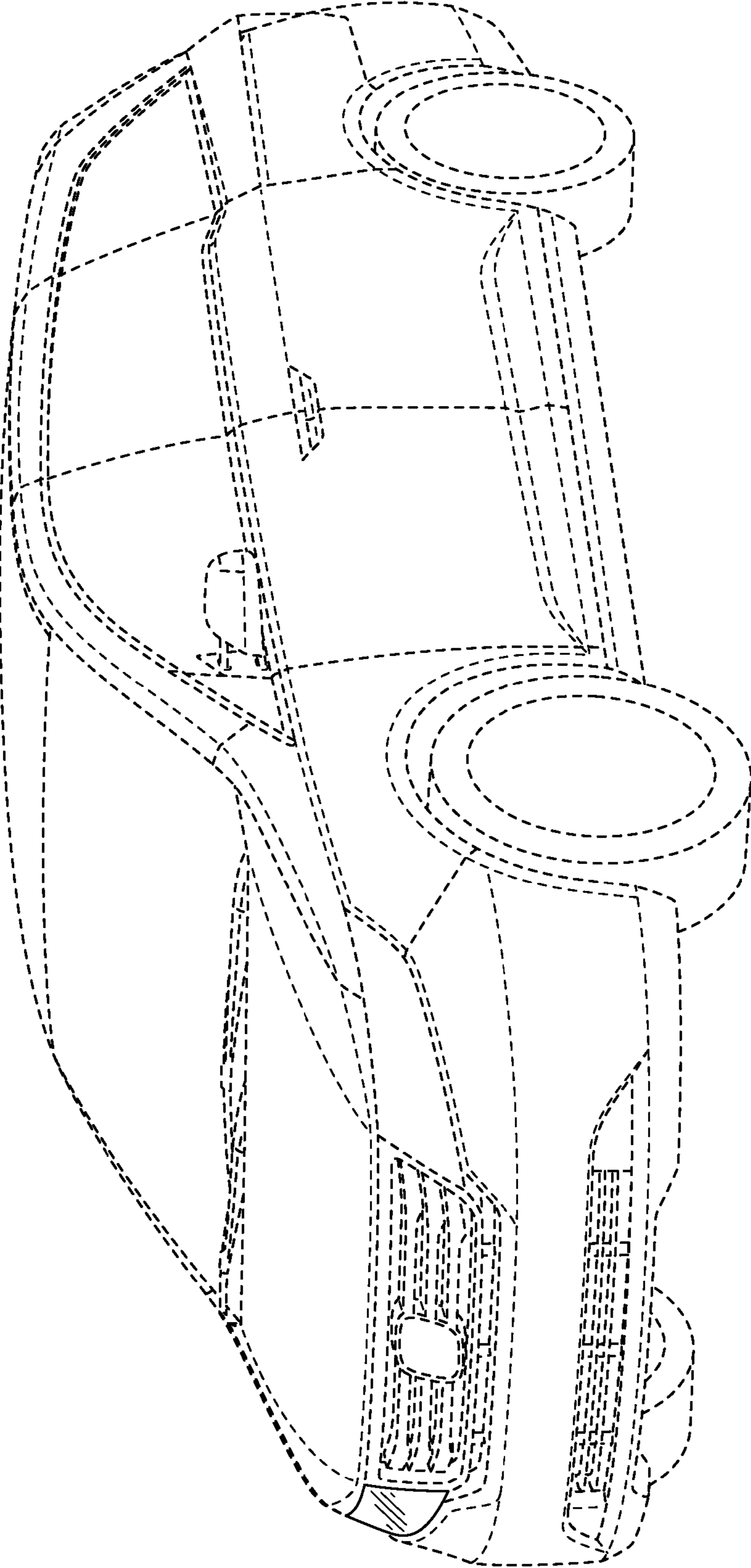


FIG. 5

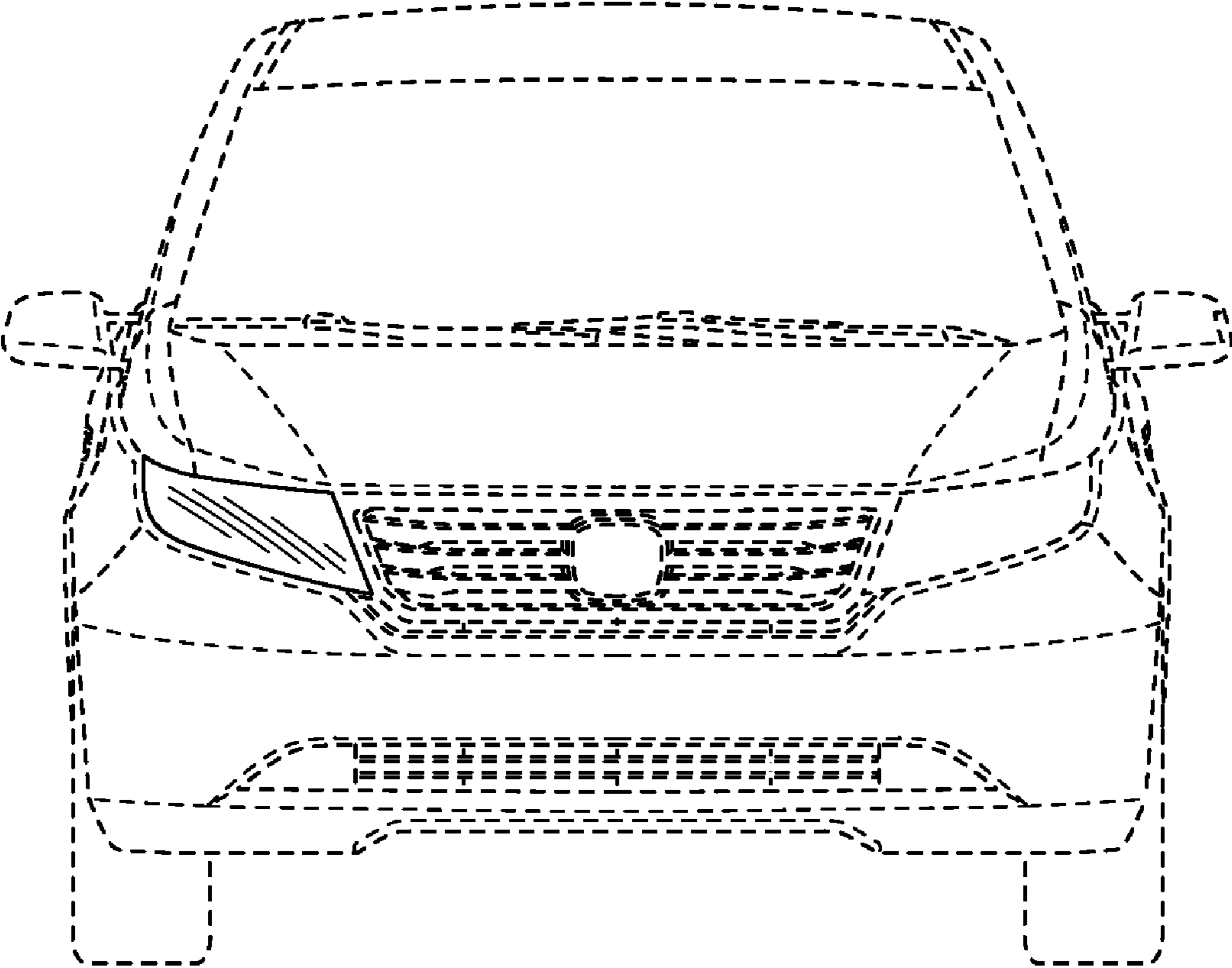


FIG. 6

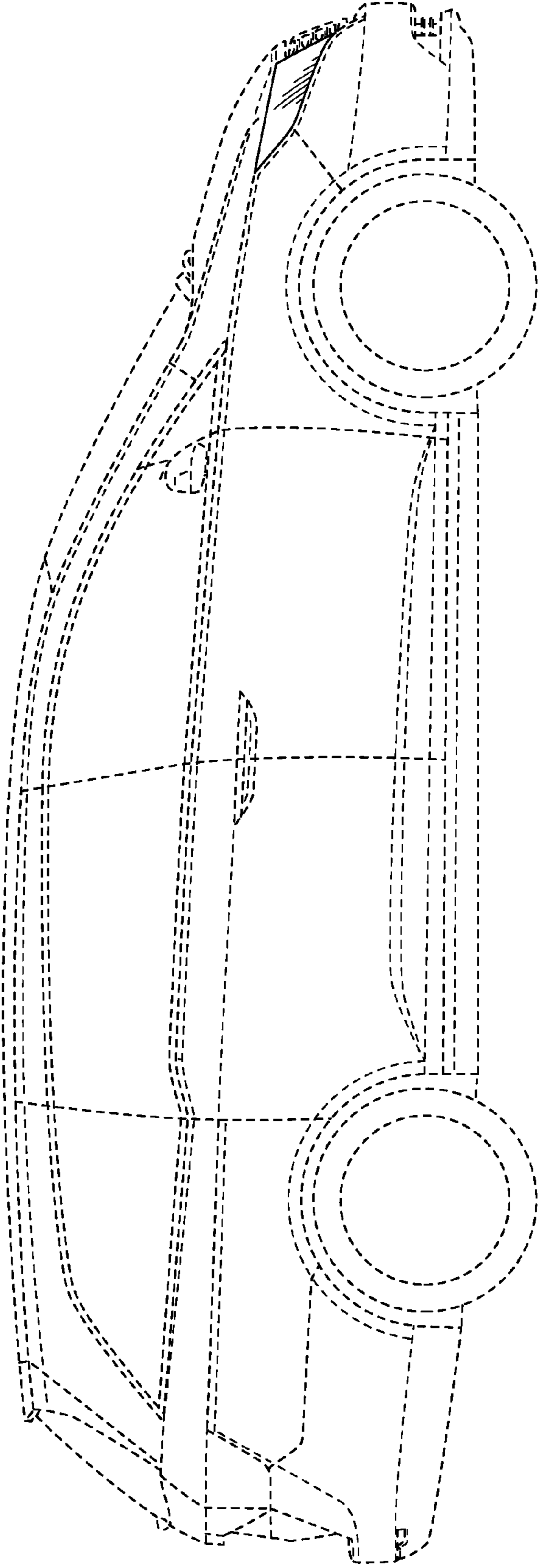


FIG. 7



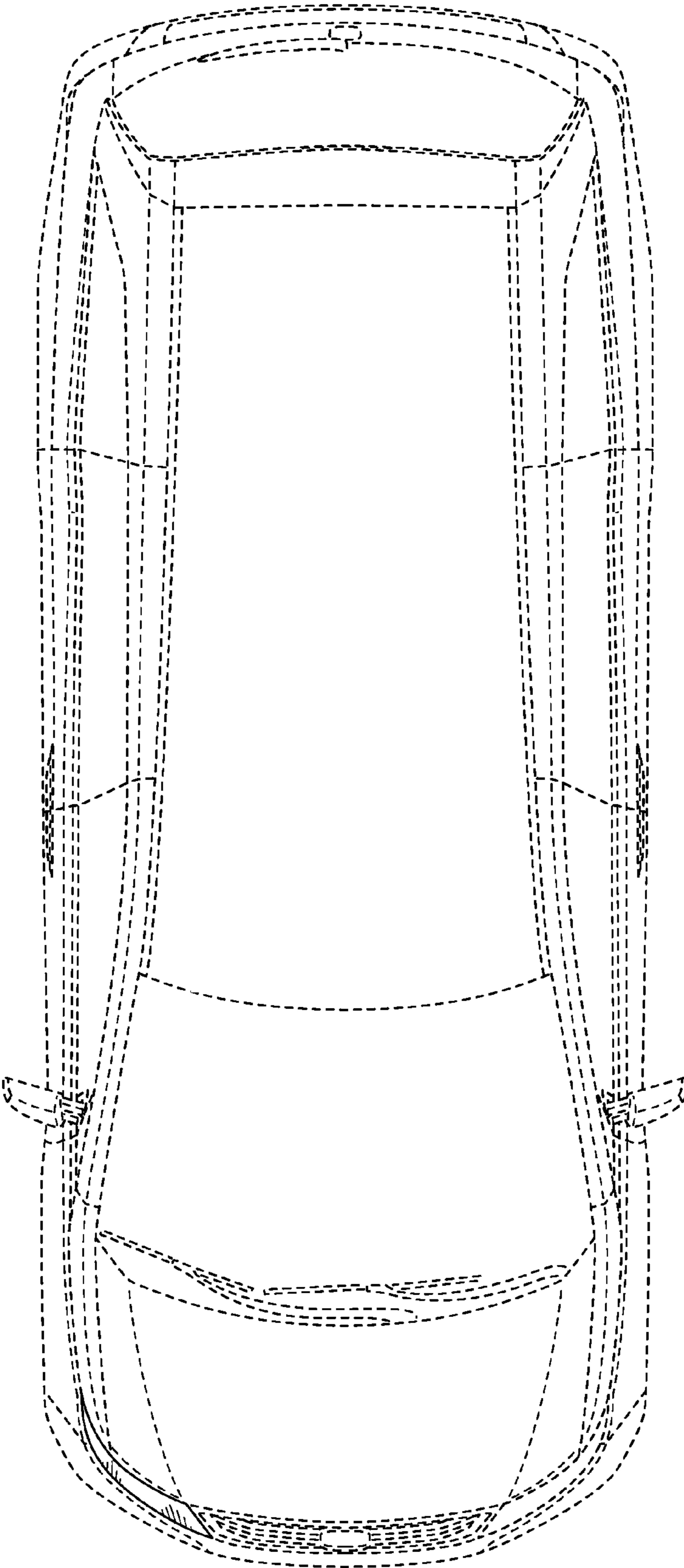


FIG. 8