



US00D636101S

(12) **United States Design Patent**
Matei

(10) **Patent No.:** **US D636,101 S**

(45) **Date of Patent:** **** Apr. 12, 2011**

(54) **VEHICLE TAIL LIGHT**

(75) Inventor: **Catalin Matei**, Raymond, OH (US)

(73) Assignee: **Honda Motor Co., Ltd.**, Tokyo (JP)

(**) Term: **14 Years**

(21) Appl. No.: **29/355,685**

(22) Filed: **Feb. 11, 2010**

(51) **LOC (9) Cl.** **26-06**

(52) **U.S. Cl.** **D26/28**

(58) **Field of Classification Search** D26/28-36;
362/459-468, 475-478, 485-487

See application file for complete search history.

(56) **References Cited**

U.S. PATENT DOCUMENTS

D455,508 S *	4/2002	Sinkwitz	D26/28
D465,039 S *	10/2002	Murkett	D26/28
D490,170 S *	5/2004	Metros et al.	D26/28
D491,298 S *	6/2004	Hall et al.	D26/28

D539,450 S *	3/2007	Pfeiffer	D26/28
D540,480 S *	4/2007	Pfeiffer	D26/28
D553,268 S *	10/2007	Pfeiffer	D26/28

* cited by examiner

Primary Examiner — Marcus A Jackson

(74) *Attorney, Agent, or Firm* — Plumsea Law Group, LLC;
Mark E. Duell

(57) **CLAIM**

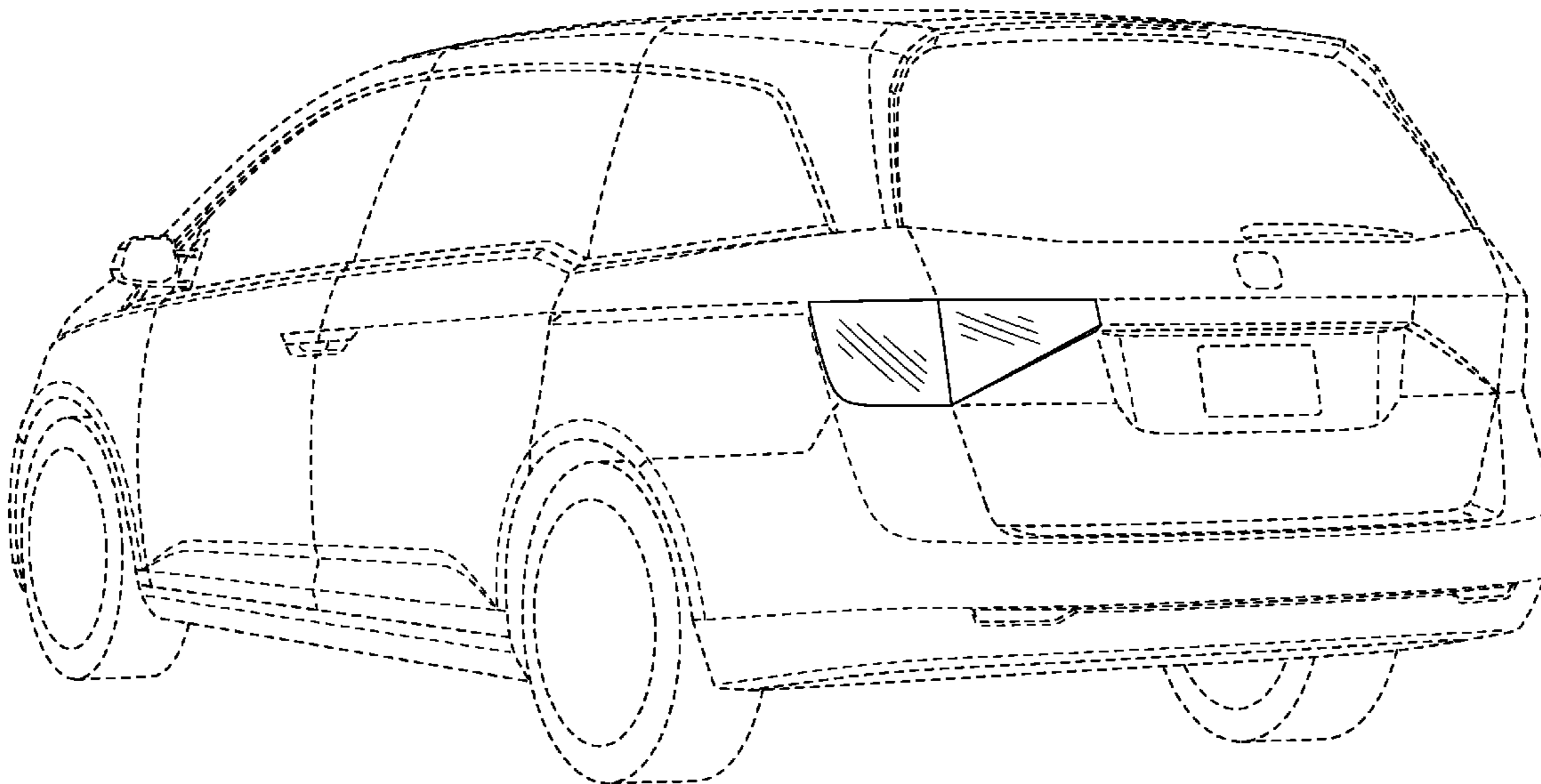
The ornamental design for a vehicle tail light, as shown and described.

DESCRIPTION

FIG. 1 is a perspective view of a vehicle tail light showing my new design;
FIG. 2 is an elevational view thereof;
FIG. 3 is a side elevational view thereof;
FIG. 4 is a top plan view thereof;
FIG. 5 is a perspective view of a right side thereof;
FIG. 6 is an elevational view of the right side thereof;
FIG. 7 is a side elevational view of the right side thereof; and,
FIG. 8 is a top plan view of the right side thereof.

The broken line showings of the remainder of the vehicle form no part of the claimed design.

1 Claim, 8 Drawing Sheets



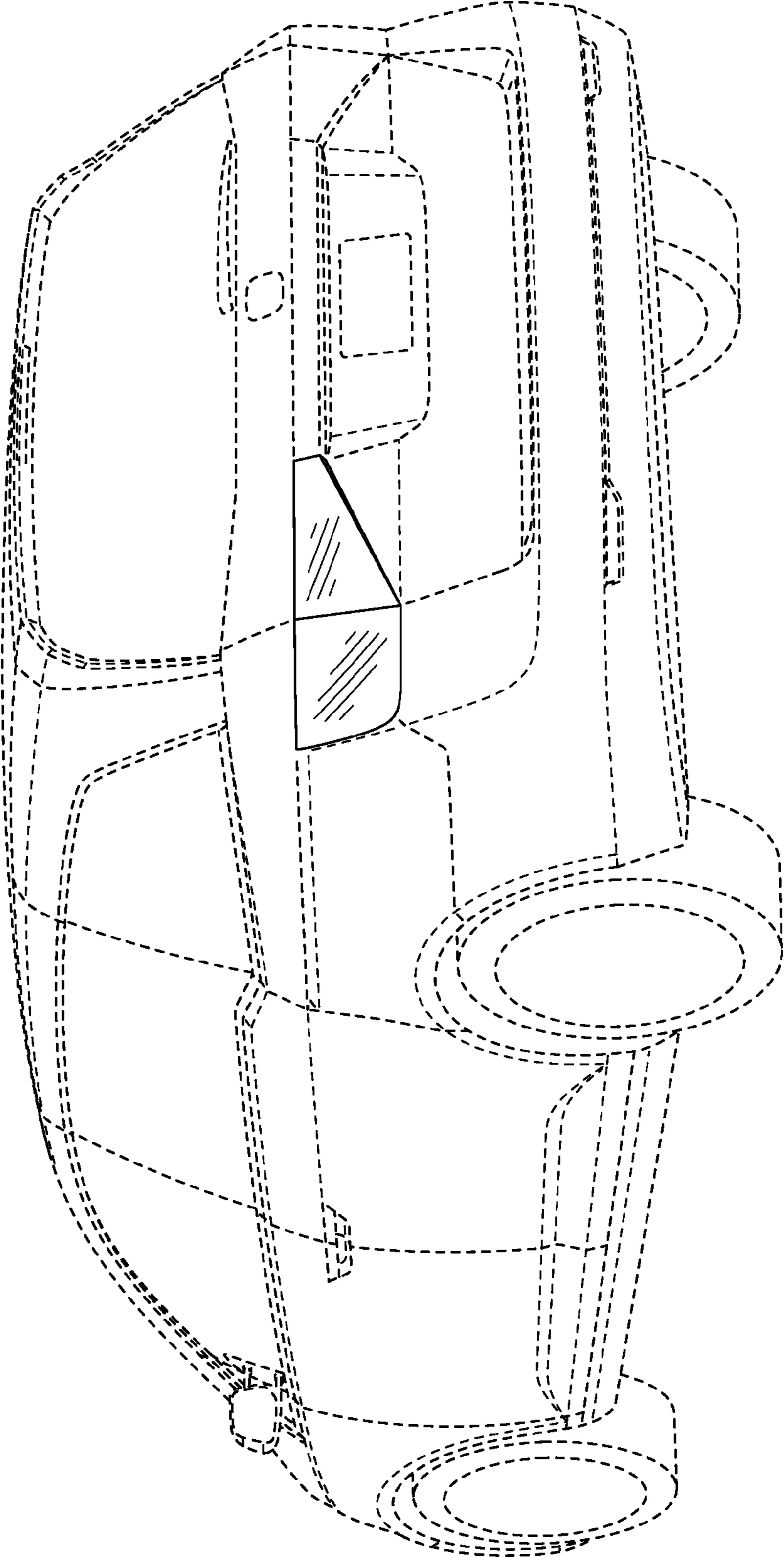


FIG. 1

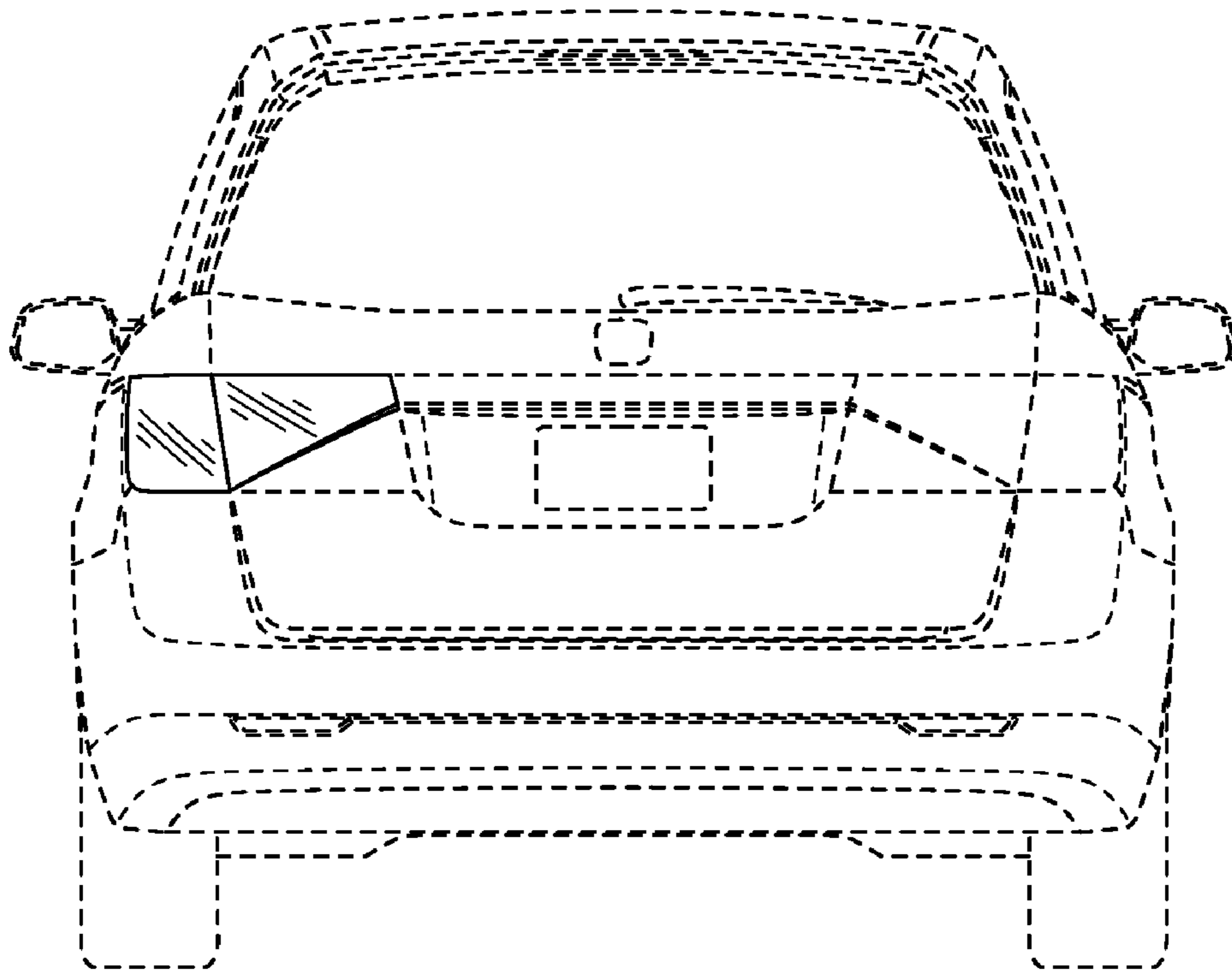


FIG. 2

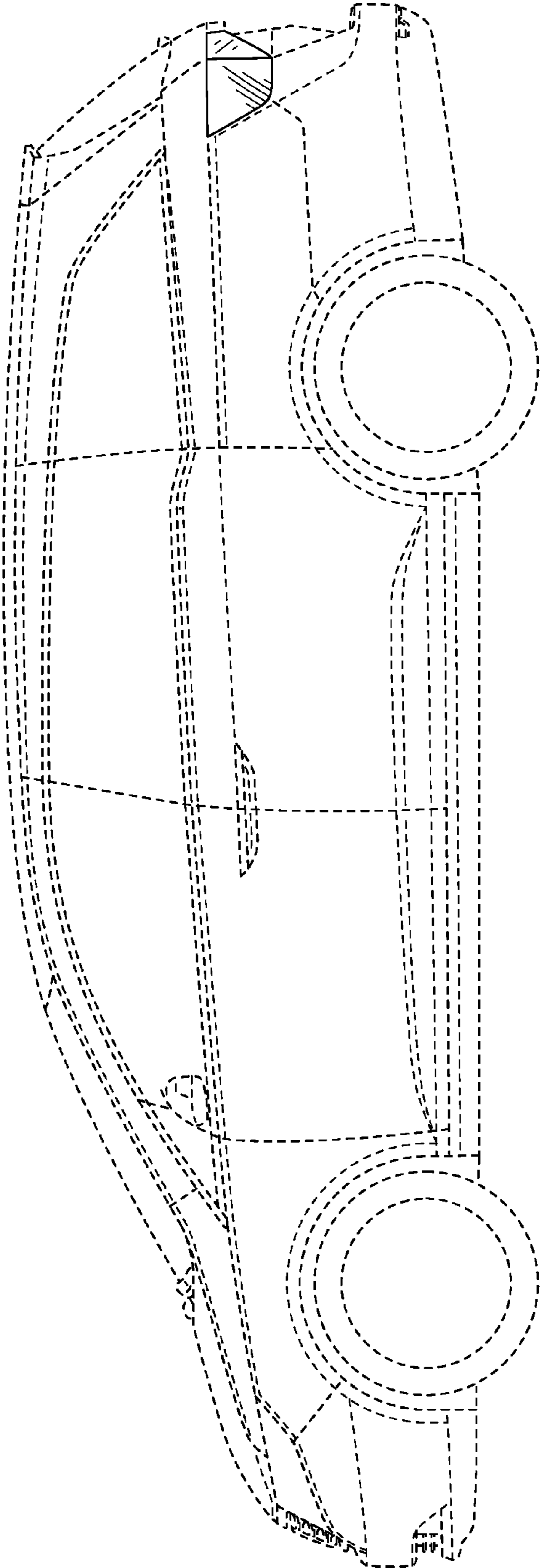


FIG. 3

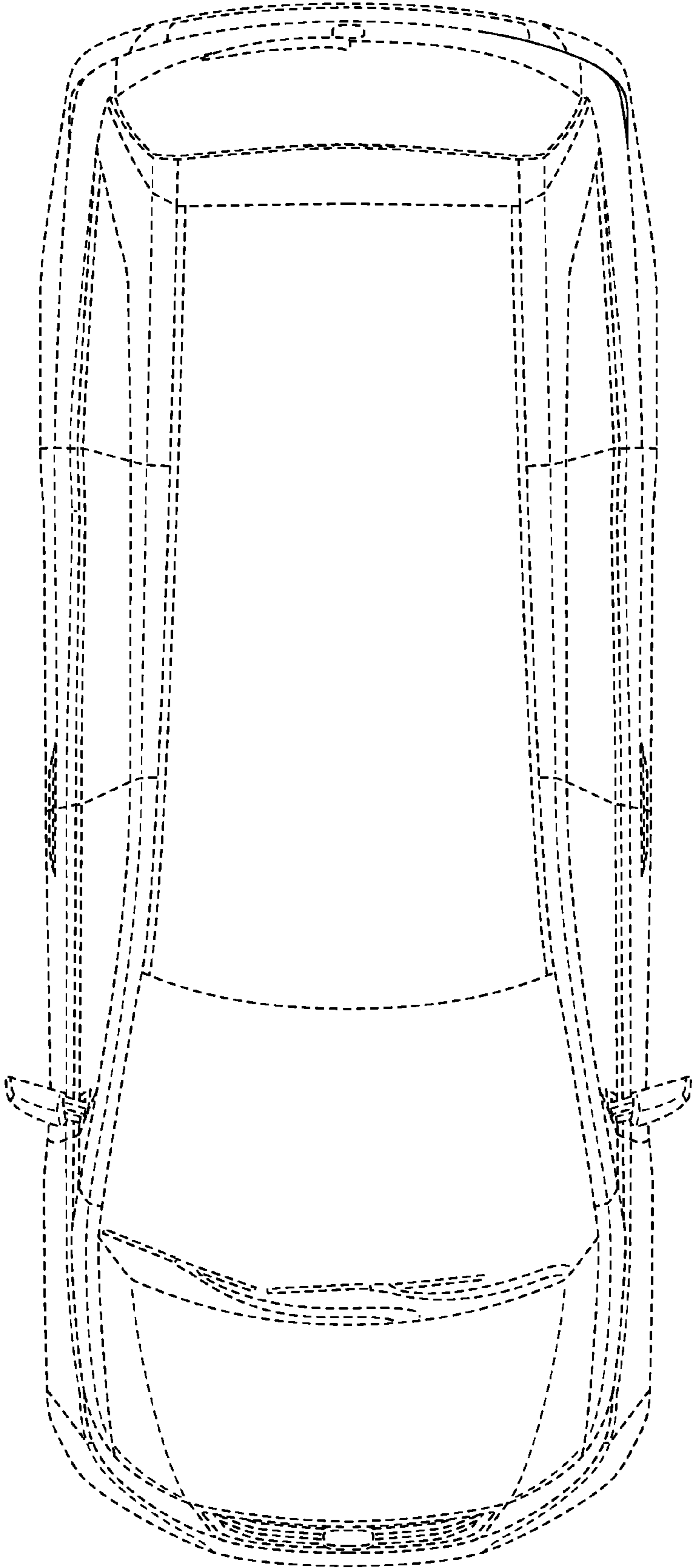


FIG. 4

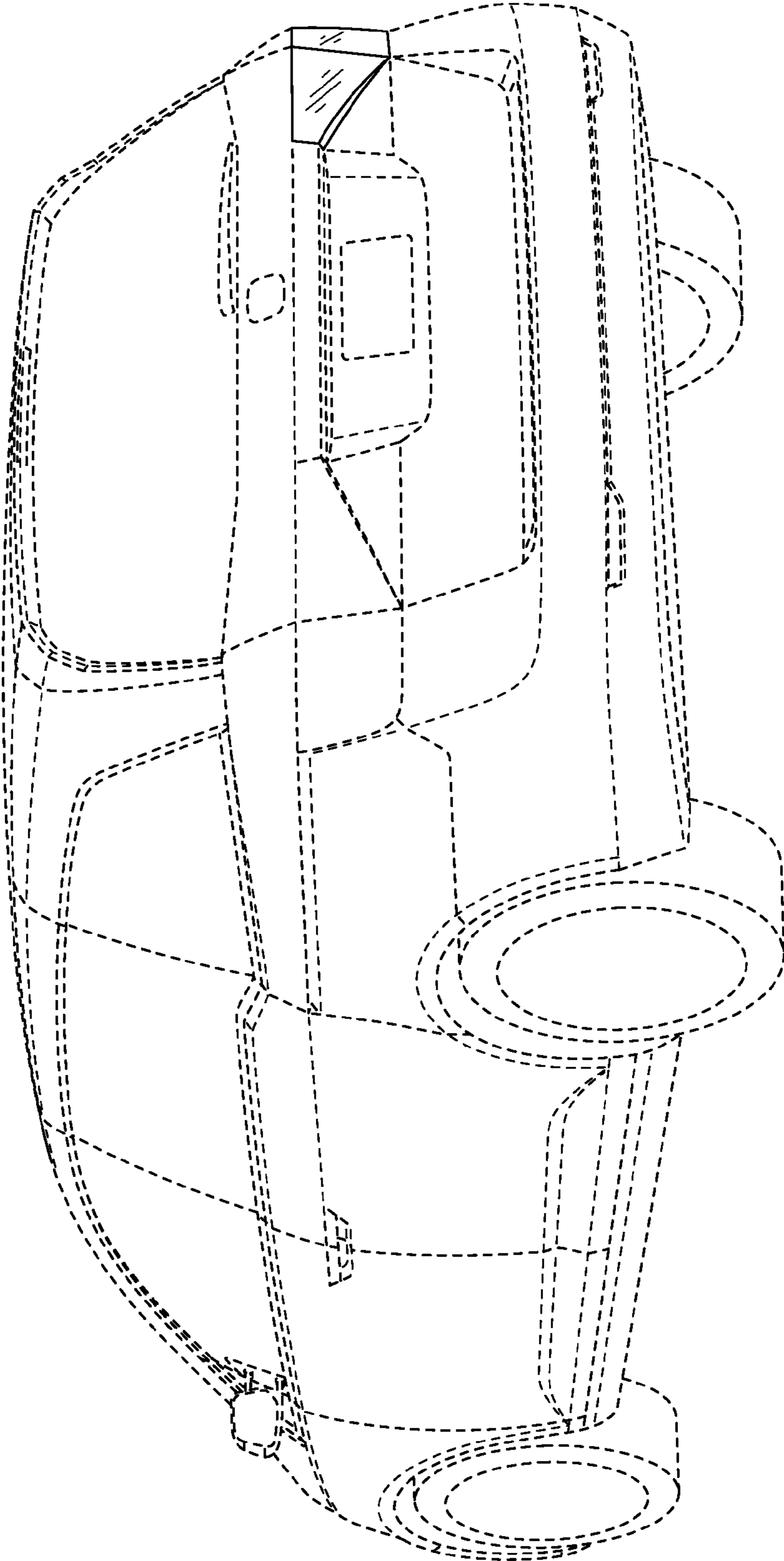


FIG. 5

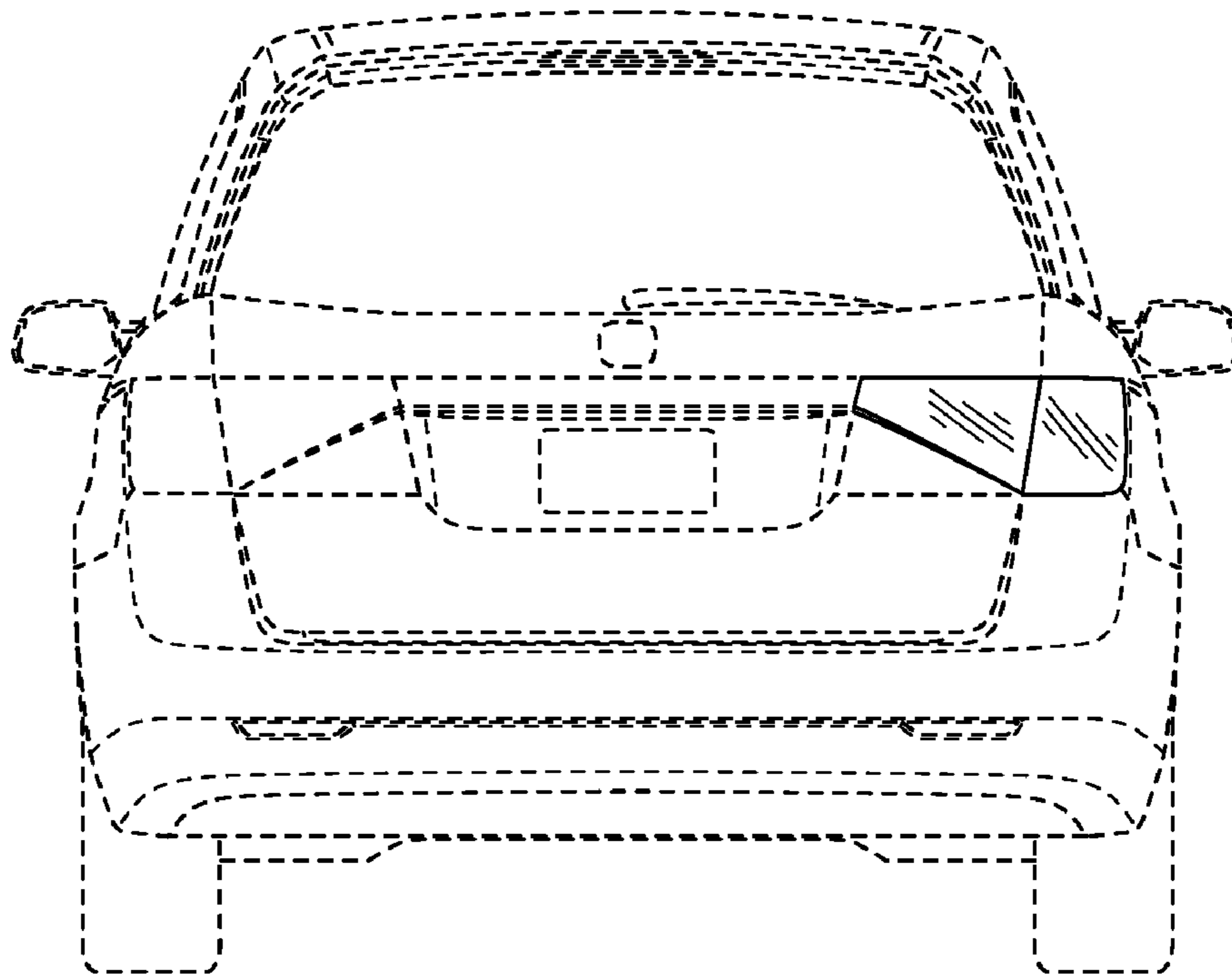


FIG. 6

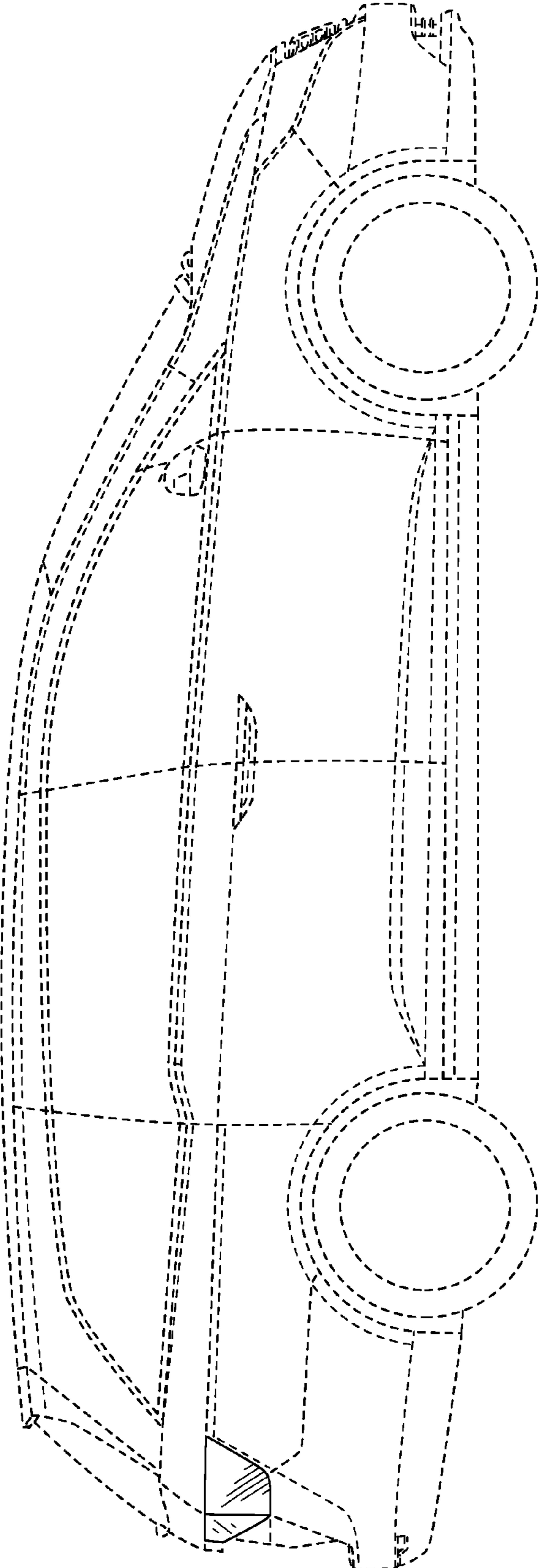


FIG. 7

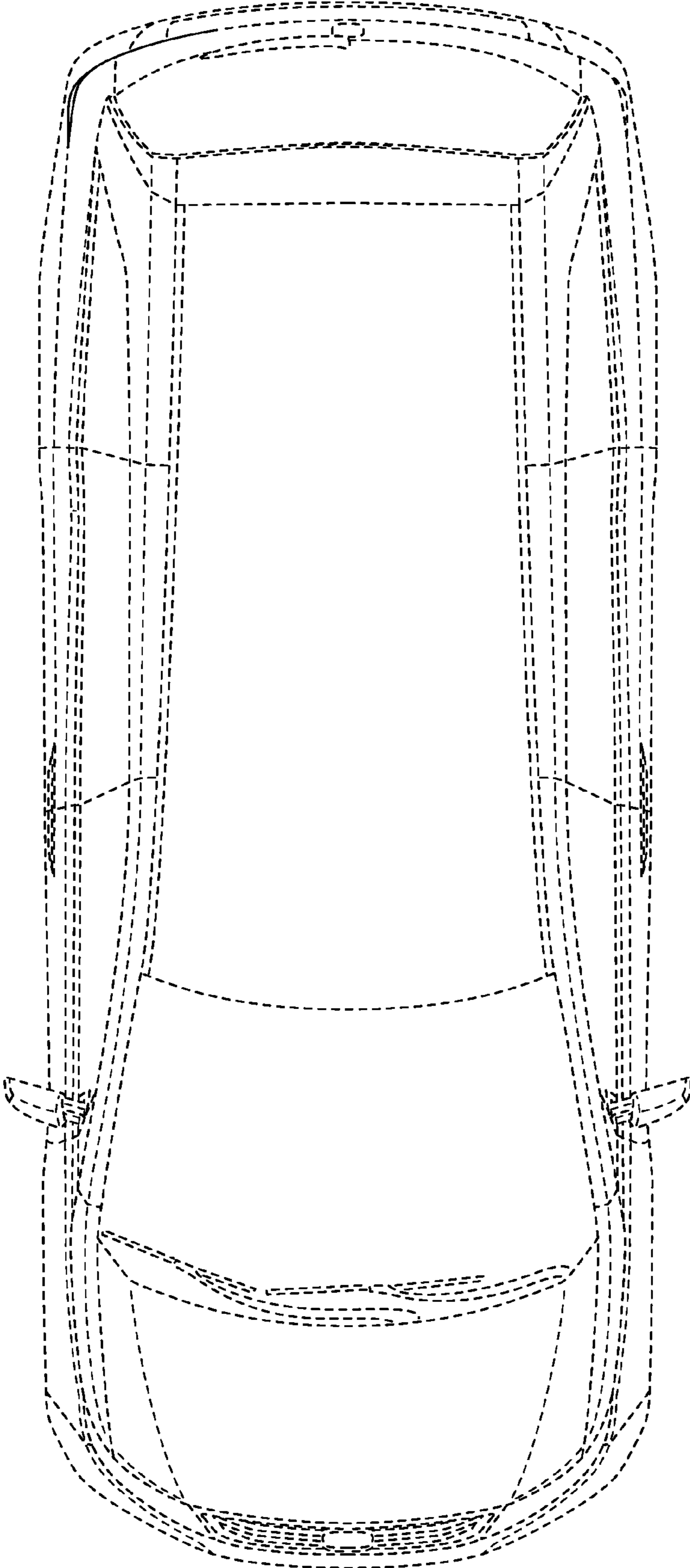


FIG. 8