



US00D636098S

(12) **United States Design Patent**
Reynolds et al.

(10) **Patent No.:** **US D636,098 S**
(45) **Date of Patent:** **** Apr. 12, 2011**

(54) **ACCESS FLOOR PANEL**

FOREIGN PATENT DOCUMENTS

(75) Inventors: **William W. Reynolds**, Pasadena, MD (US); **Daniel J. Catalfu**, Red Lion, PA (US)

DE 196 30 433 A1 2/1998

* cited by examiner

(73) Assignee: **Tate Access Floors Leasing, Inc.**, Wilmington, DE (US)

Primary Examiner — Doris Clark

(74) *Attorney, Agent, or Firm* — Oliff & Berridge, PLC

(**) Term: **14 Years**

(57) **CLAIM**

The ornamental design for an access floor panel, as shown and described.

(21) Appl. No.: **29/375,894**

DESCRIPTION

(22) Filed: **Sep. 29, 2010**

(51) **LOC (9) Cl.** **25-01**

(52) **U.S. Cl.** **D25/138**

(58) **Field of Classification Search** D25/138;
52/232, 263, 220.2, 479, 507, 783.1, 126.6;
119/480, 509, 529, 530

See application file for complete search history.

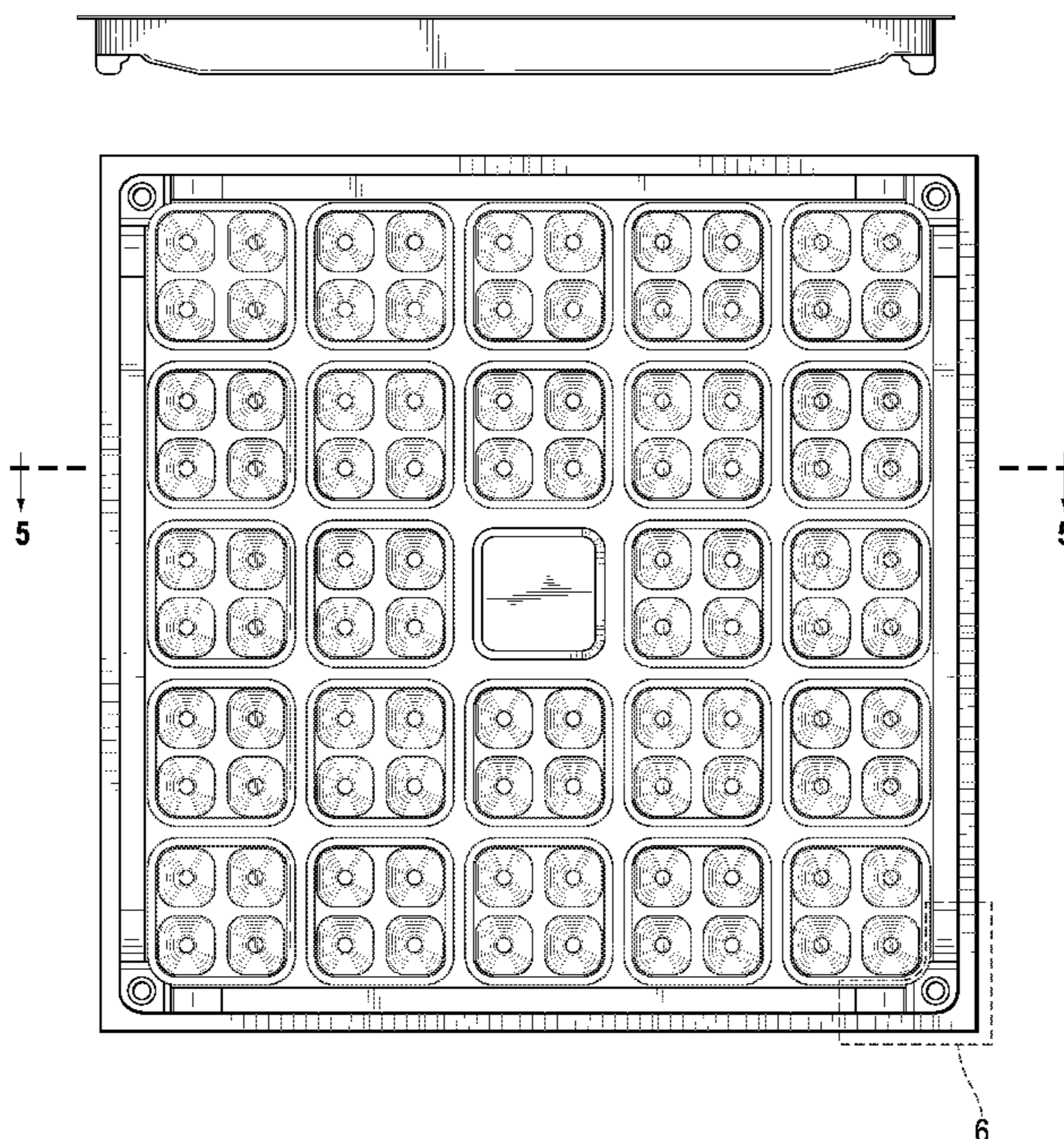
FIG. 1 is a front view of an access floor panel of our design, the rear view being a mirror image of the front view;
FIG. 2 is a top view thereof;
FIG. 3 is a right-side view thereof, the left-side view being a mirror image of the right-side view;
FIG. 4 is a bottom view thereof;
FIG. 5 is a cross-sectional view thereof taken along lines 5—5 in FIG. 4;
FIG. 6 is an enlarged partial perspective view thereof of the portion indicated in FIG. 4;
FIG. 7 is a top view of a second embodiment of the access floor panel shown in FIG. 1;
FIG. 8 is a front view thereof;
FIG. 9 is a right-side view thereof, the left-side view being a mirror image of the right-side view;
FIG. 10 is a rear view thereof;
FIG. 11 is a bottom view thereof;
FIG. 12 is a cross-sectional view thereof taken along lines 12—12 in FIG. 11; and,
FIG. 13 is an enlarged partial perspective view thereof of the portion indicated in FIG. 11.

(56) **References Cited**

U.S. PATENT DOCUMENTS

4,621,468	A	11/1986	Likozar	
4,656,795	A	4/1987	Albrecht et al.	
4,914,881	A	4/1990	Spork	
5,046,291	A *	9/1991	Narayan	52/126.6
5,115,621	A *	5/1992	Kobayashi	52/792.11
5,205,091	A	4/1993	Brown	
D342,330	S *	12/1993	Kobayashi et al.	D25/158
5,848,506	A *	12/1998	Kobayashi et al.	52/220.2
6,519,902	B1	2/2003	Scissom	
D493,545	S *	7/2004	Lancia et al.	D25/138
D496,472	S *	9/2004	Zimmerle et al.	D25/138
6,797,219	B1	9/2004	Vander Wal et al.	
6,880,303	B2 *	4/2005	Mead	52/263
6,918,217	B2	7/2005	Jakob-Bamberg et al.	
2007/0175132	A1	8/2007	Spransy et al.	

1 Claim, 7 Drawing Sheets



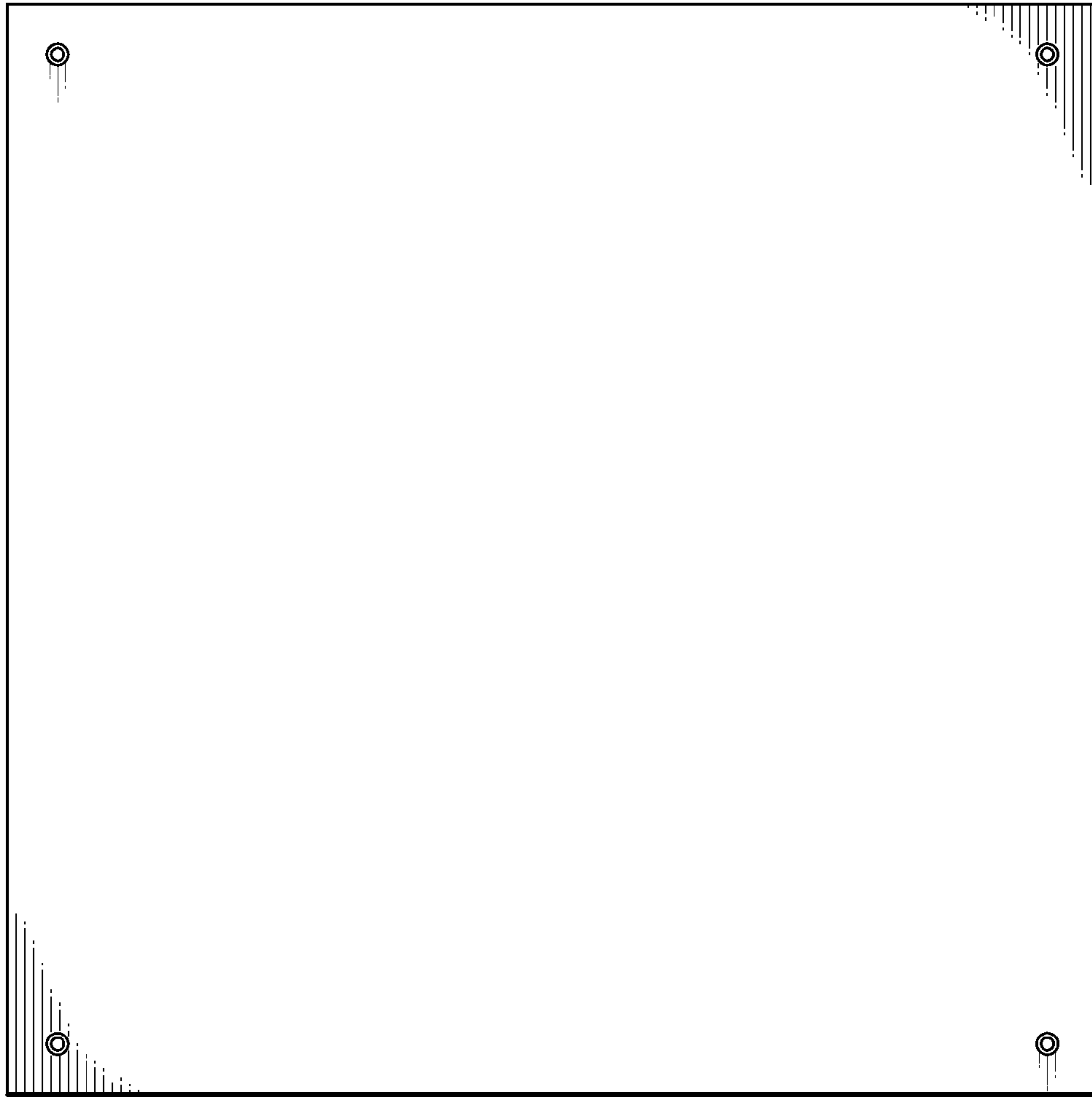


FIG. 2



FIG. 1

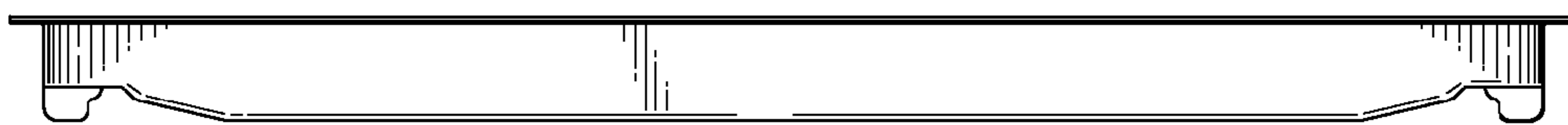


FIG. 3

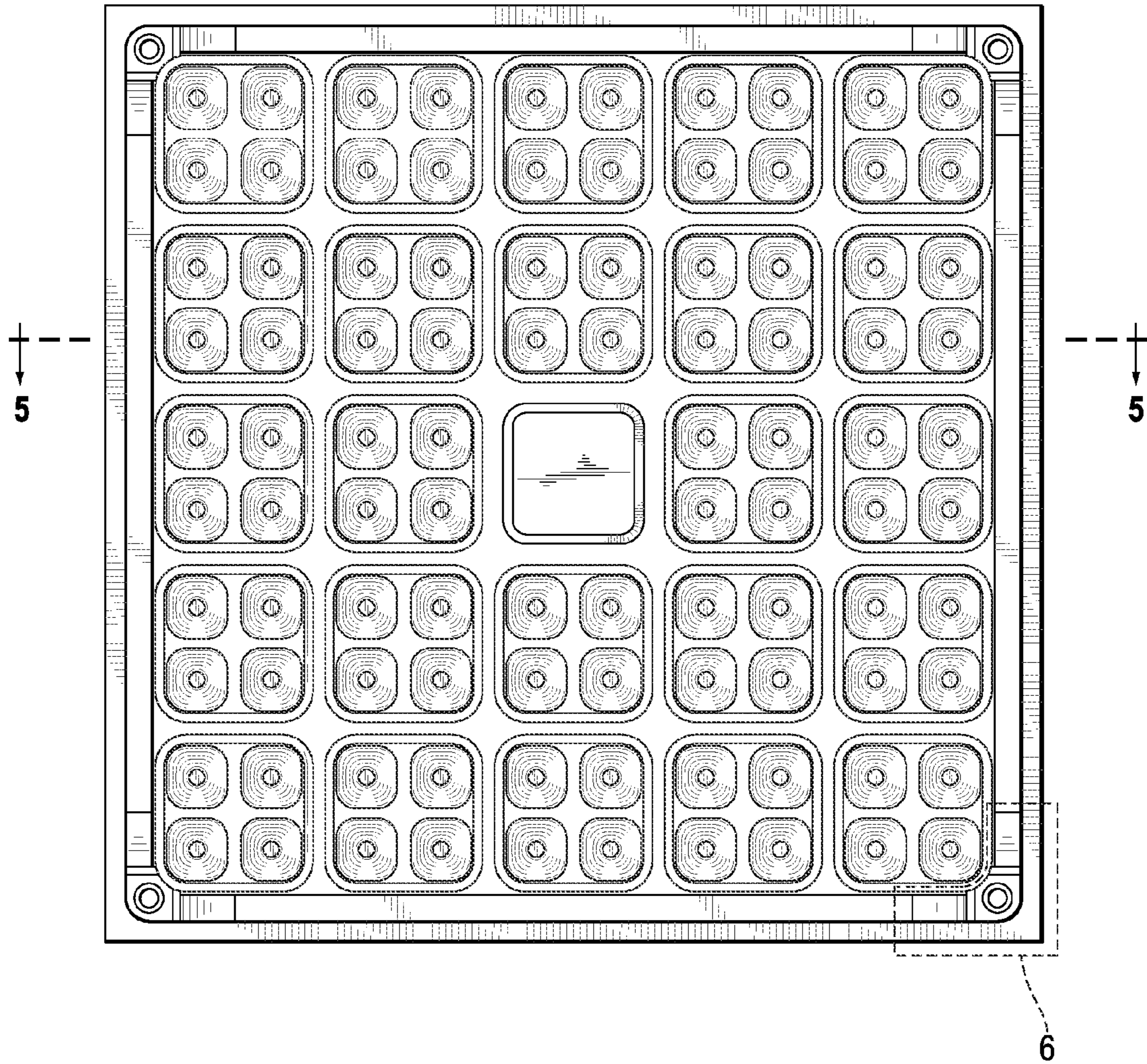


FIG. 4

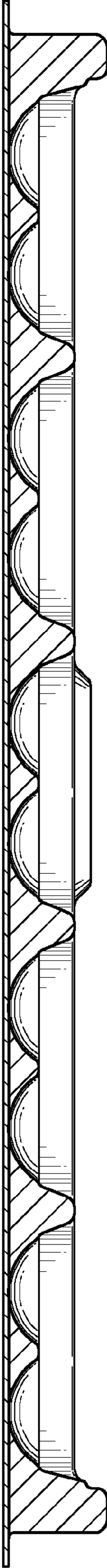


FIG. 5

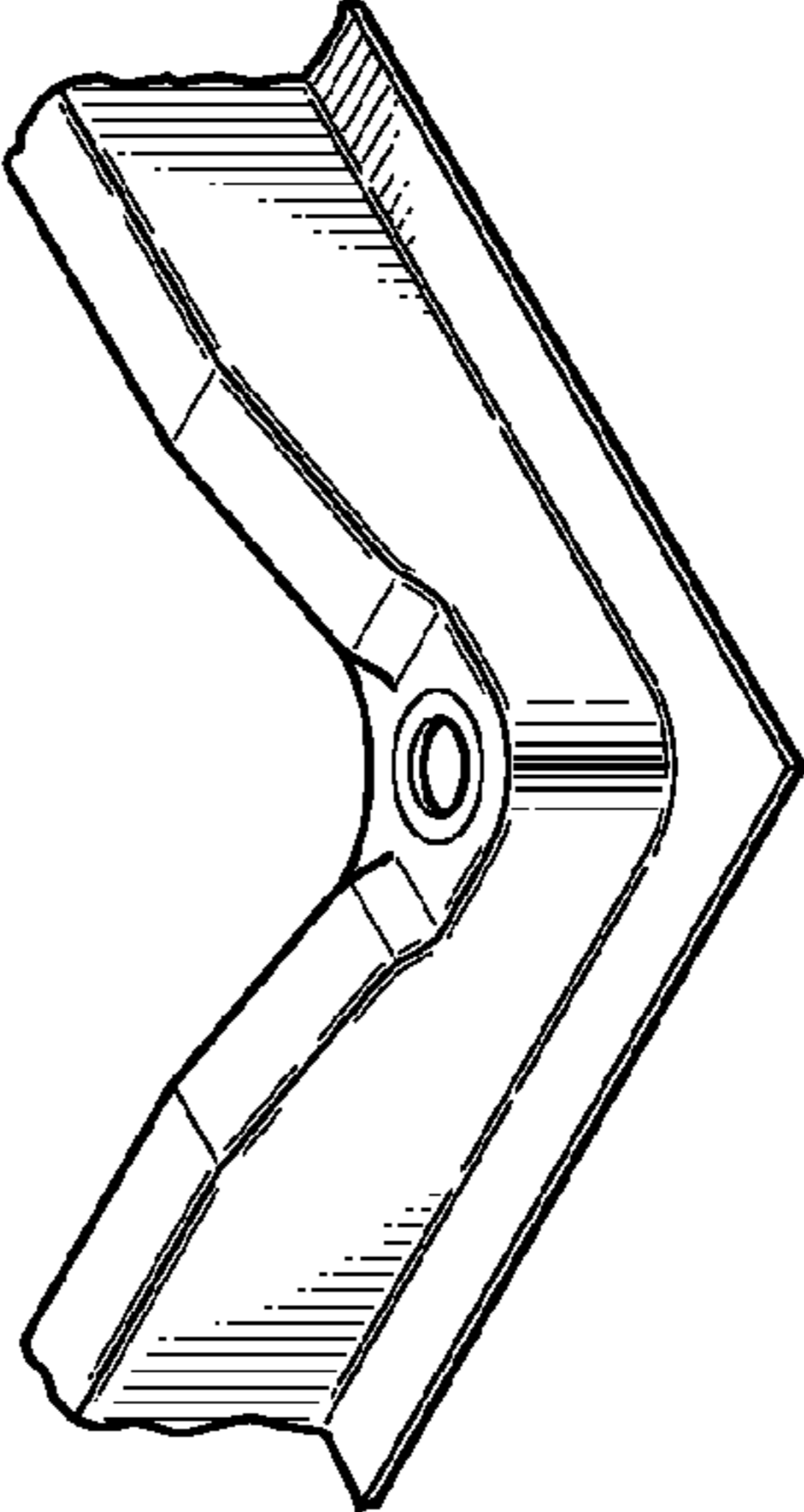


FIG. 6

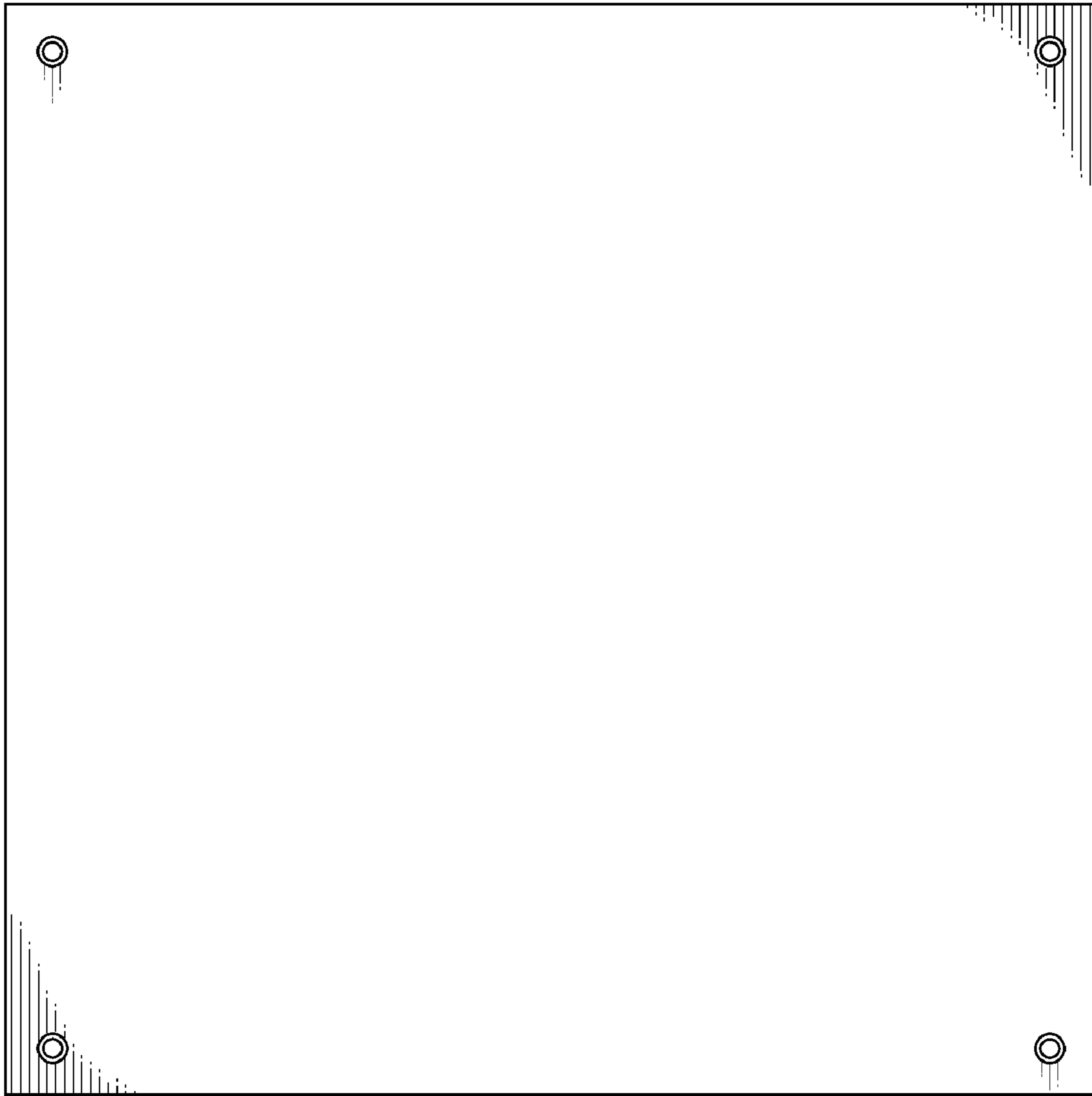


FIG. 7



FIG. 8



FIG. 9



FIG. 10

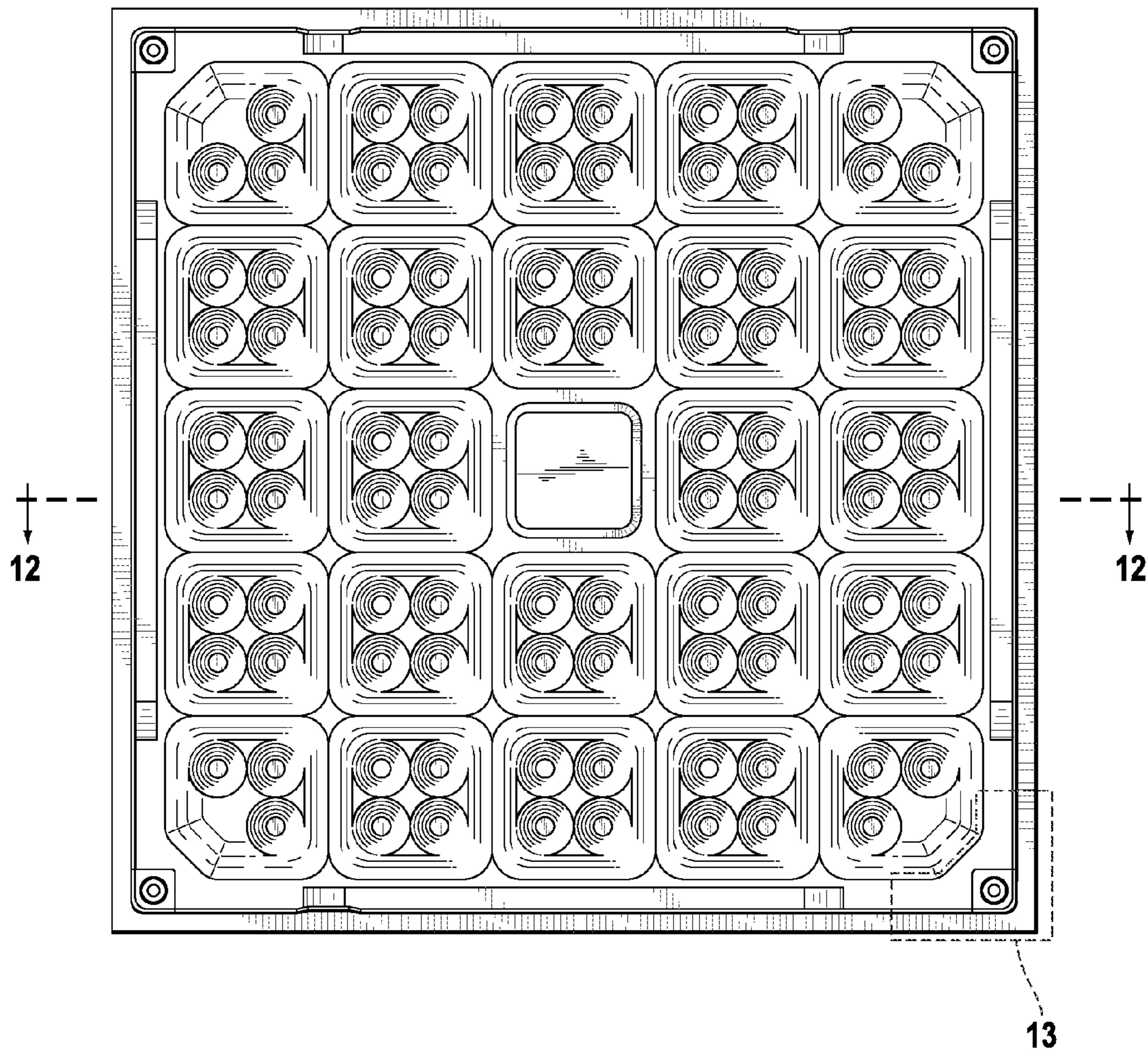


FIG. 11

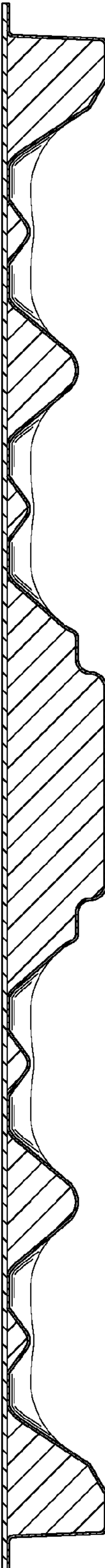


FIG. 12

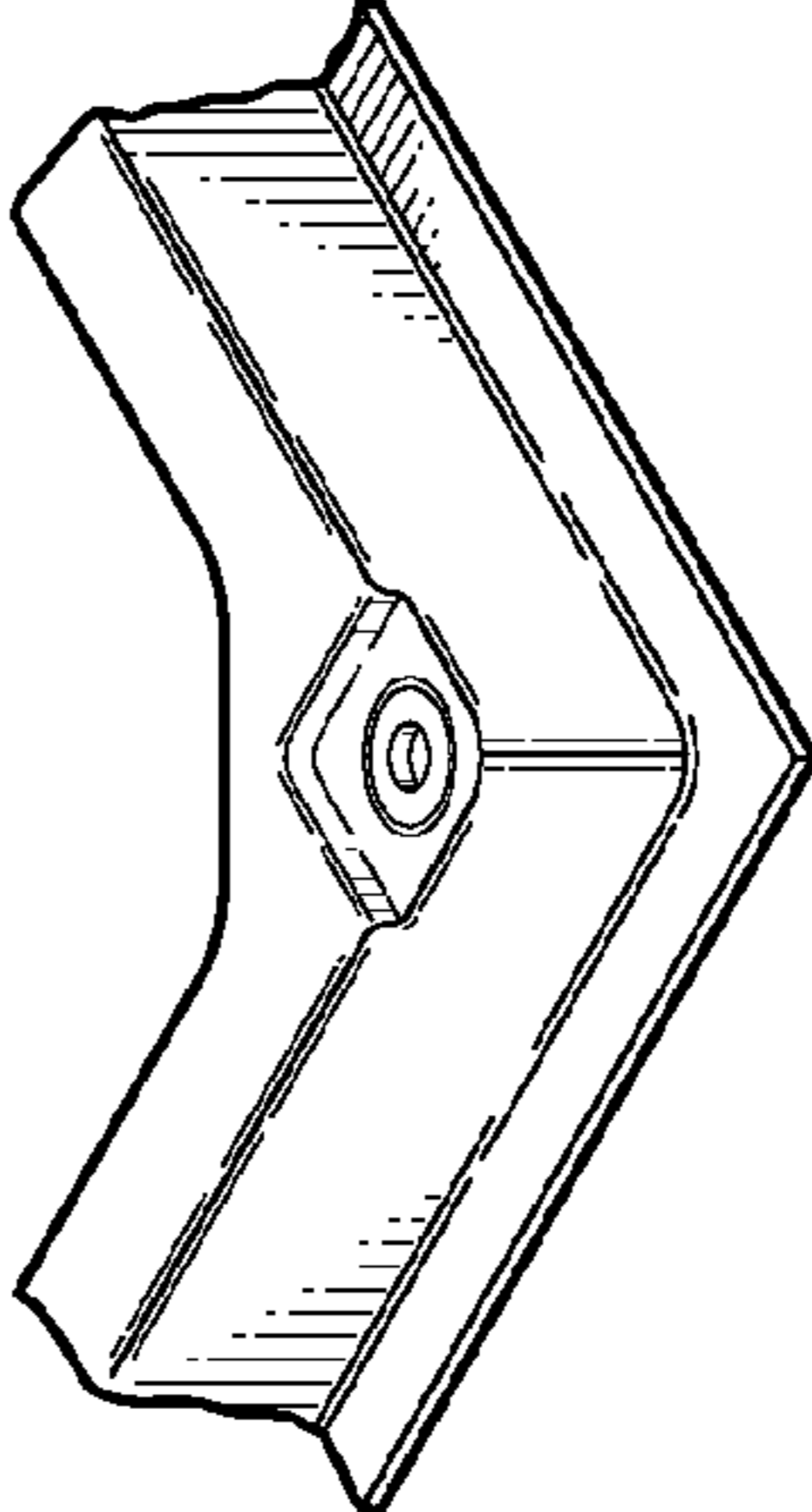


FIG. 13