



US00D636096S

(12) **United States Design Patent**  
**Seitner**

(10) **Patent No.:** **US D636,096 S**

(45) **Date of Patent:** **\*\* Apr. 12, 2011**

(54) **INSULATING MATERIAL**

(75) Inventor: **Marco Seitner**, Erbes-Büdesheim (DE)

(73) Assignee: **Selit Dammtechnik GmbH** (DE)

(\*\*) Term: **14 Years**

(21) Appl. No.: **29/363,941**

(22) Filed: **Jun. 16, 2010**

(30) **Foreign Application Priority Data**

Dec. 16, 2009 (EM) ..... 001648593-0002

(51) **LOC (9) Cl.** ..... **25-01**

(52) **U.S. Cl.** ..... **D25/138**

(58) **Field of Classification Search** ..... D25/138;

52/202, 741.4, 784.15, 794, 506.01, 506.1,

52/384; 244/171.7, 171.8

See application file for complete search history.

(56) **References Cited**

**U.S. PATENT DOCUMENTS**

4,438,168 A \* 3/1984 Testard ..... 428/193

4,838,785 A \* 6/1989 Campbell, Jr. .... 432/121

D317,656 S \* 6/1991 Rea et al. .... D25/138

5,060,446 A \* 10/1991 Beliveau ..... 52/592.1

D323,222 S \* 1/1992 Roland ..... D25/138  
5,456,209 A \* 10/1995 Heinrich ..... 119/450  
5,660,018 A \* 8/1997 Brodsky ..... 52/741.4  
5,711,121 A \* 1/1998 Garver ..... 52/239  
2002/0073640 A1\* 6/2002 Virtanen ..... 52/390  
2005/0028471 A1\* 2/2005 Levesque et al. .... 52/506.01  
2009/0087612 A1\* 4/2009 Salsman ..... 428/85  
2009/0126302 A1\* 5/2009 Thomas ..... 52/407.3

\* cited by examiner

*Primary Examiner* — Doris Clark

(74) *Attorney, Agent, or Firm* — Lowe Hauptman Ham & Berner, LLP

(57) **CLAIM**

I claim the ornamental design for insulating material, as shown and described.

**DESCRIPTION**

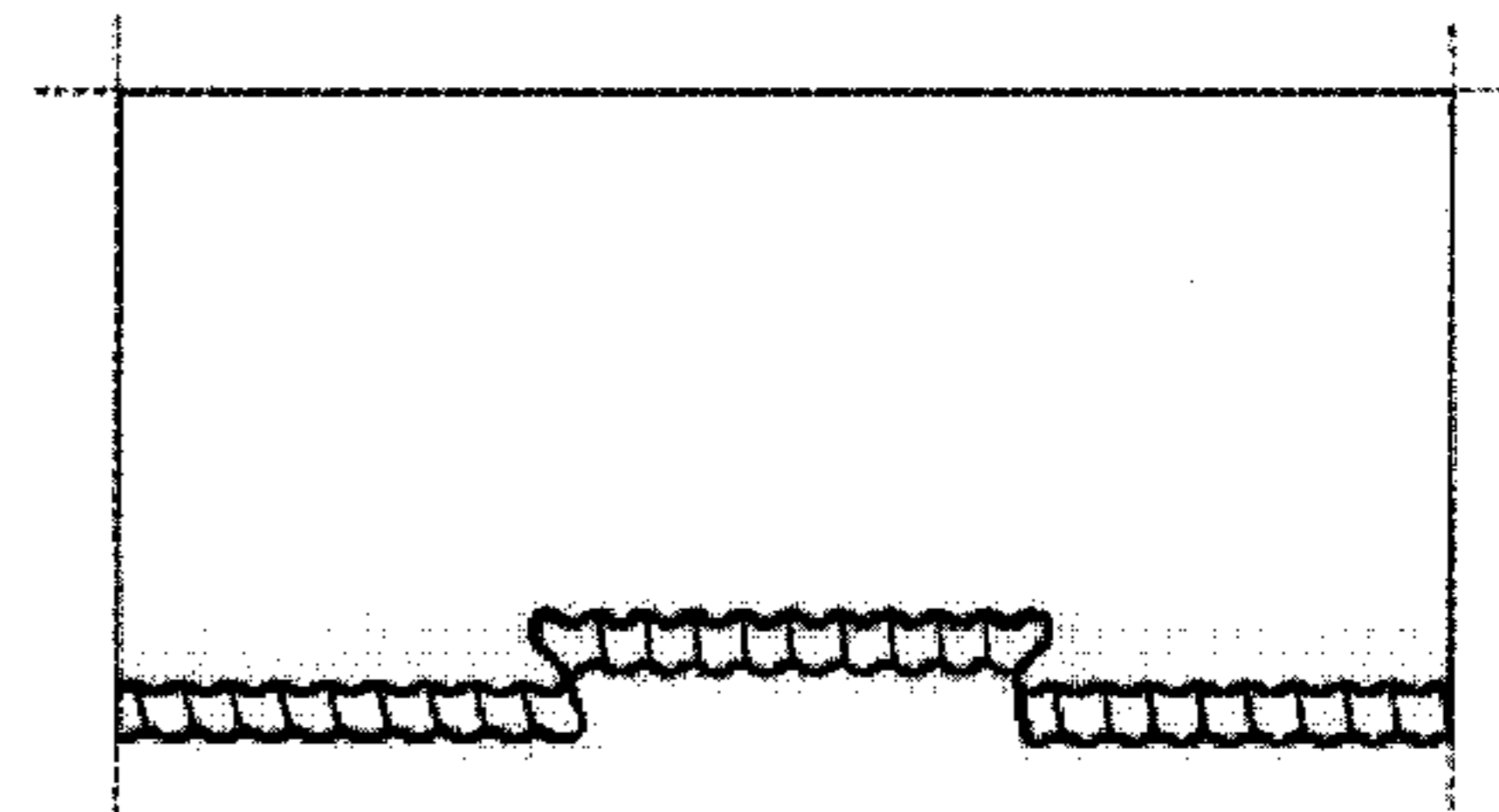
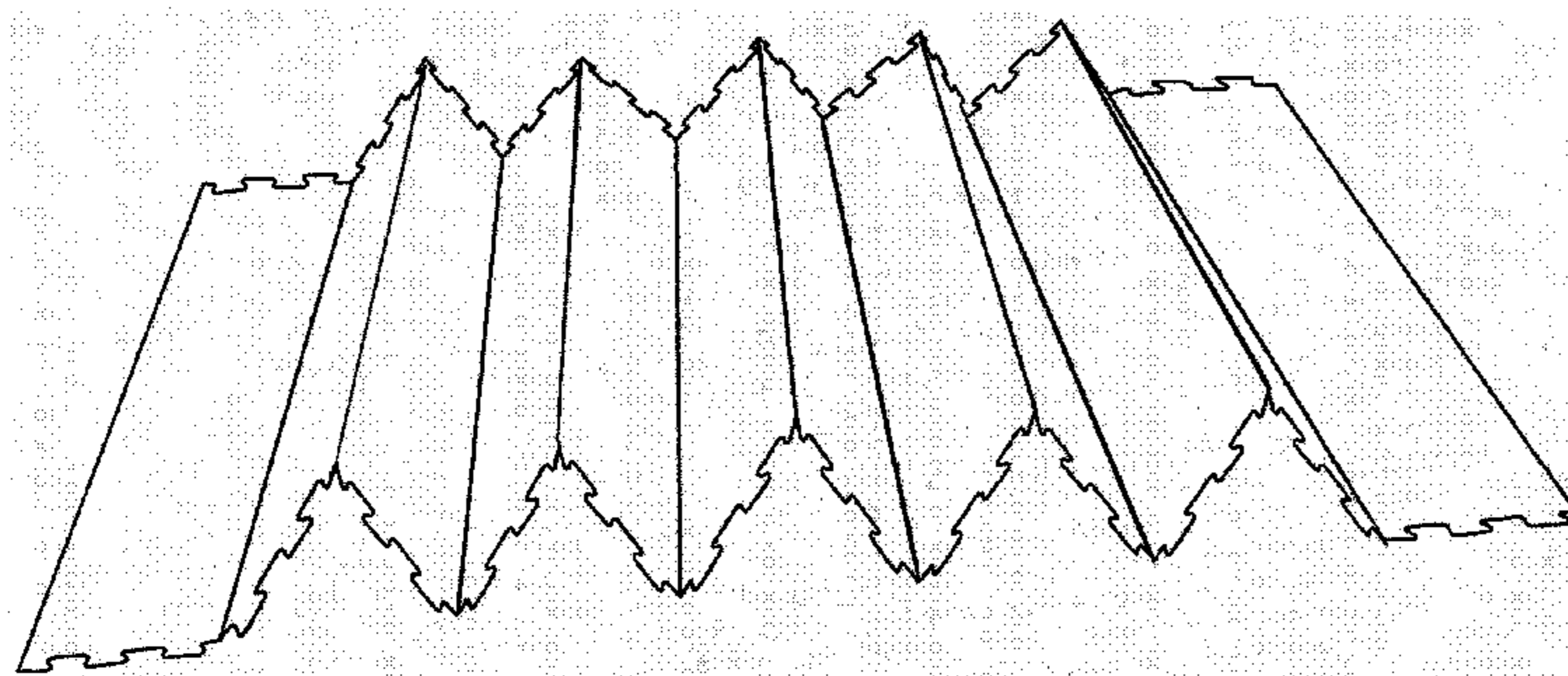
FIG. 1 is a perspective view of the insulating material in a slightly folded state;

FIG. 2 is a perspective view of the insulating material in a flat state;

FIG. 3 is an edge detail perspective view of the insulating material; and,

FIG. 4 is another edge detail perspective view of the insulating material.

**1 Claim, 4 Drawing Sheets**



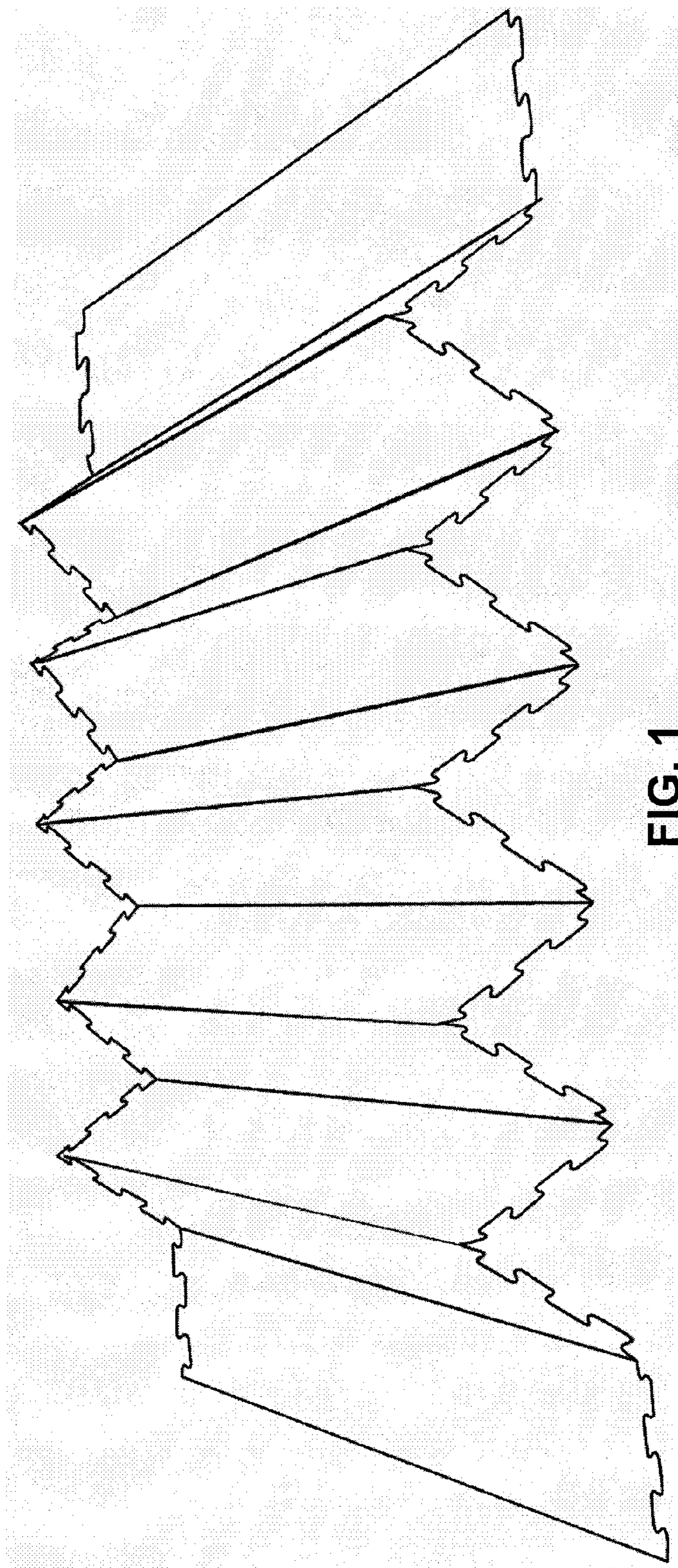
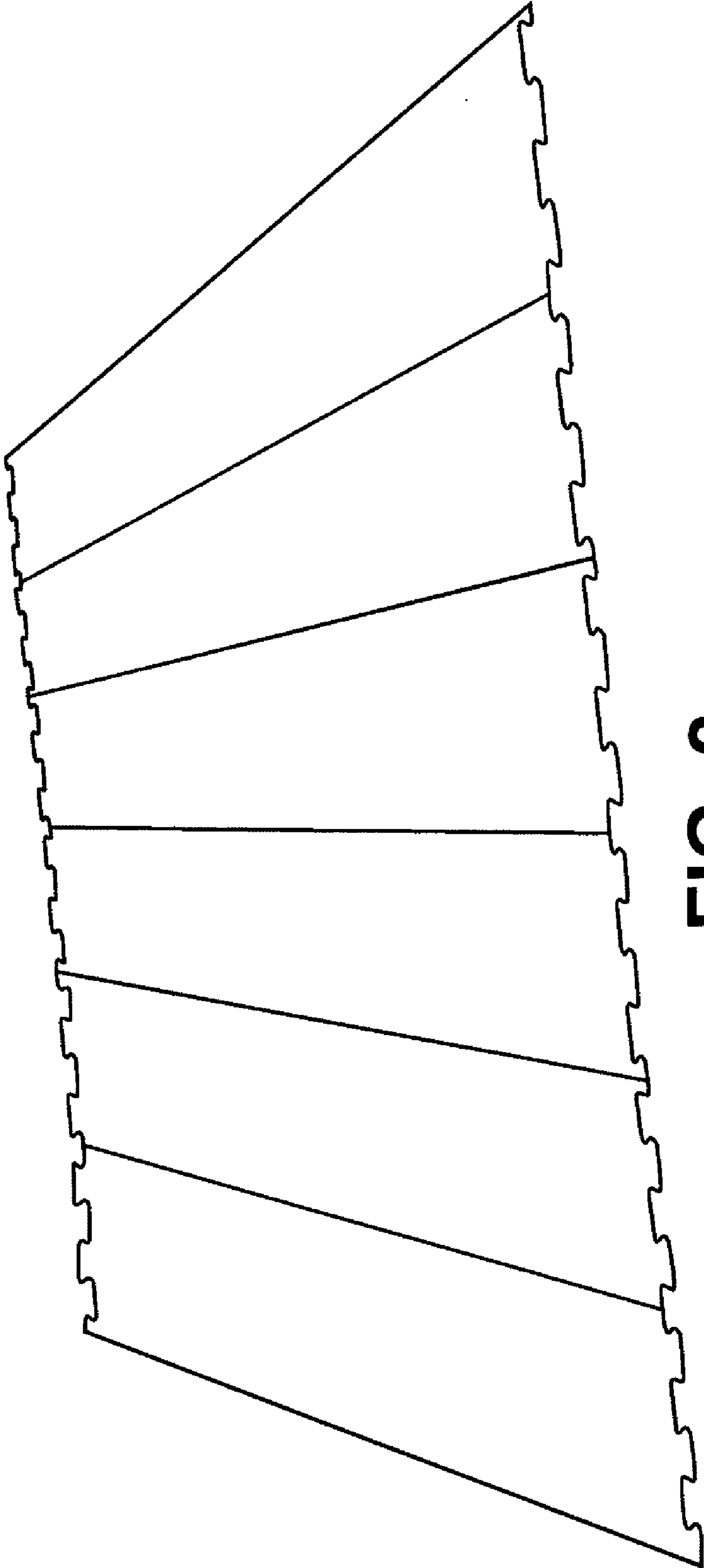
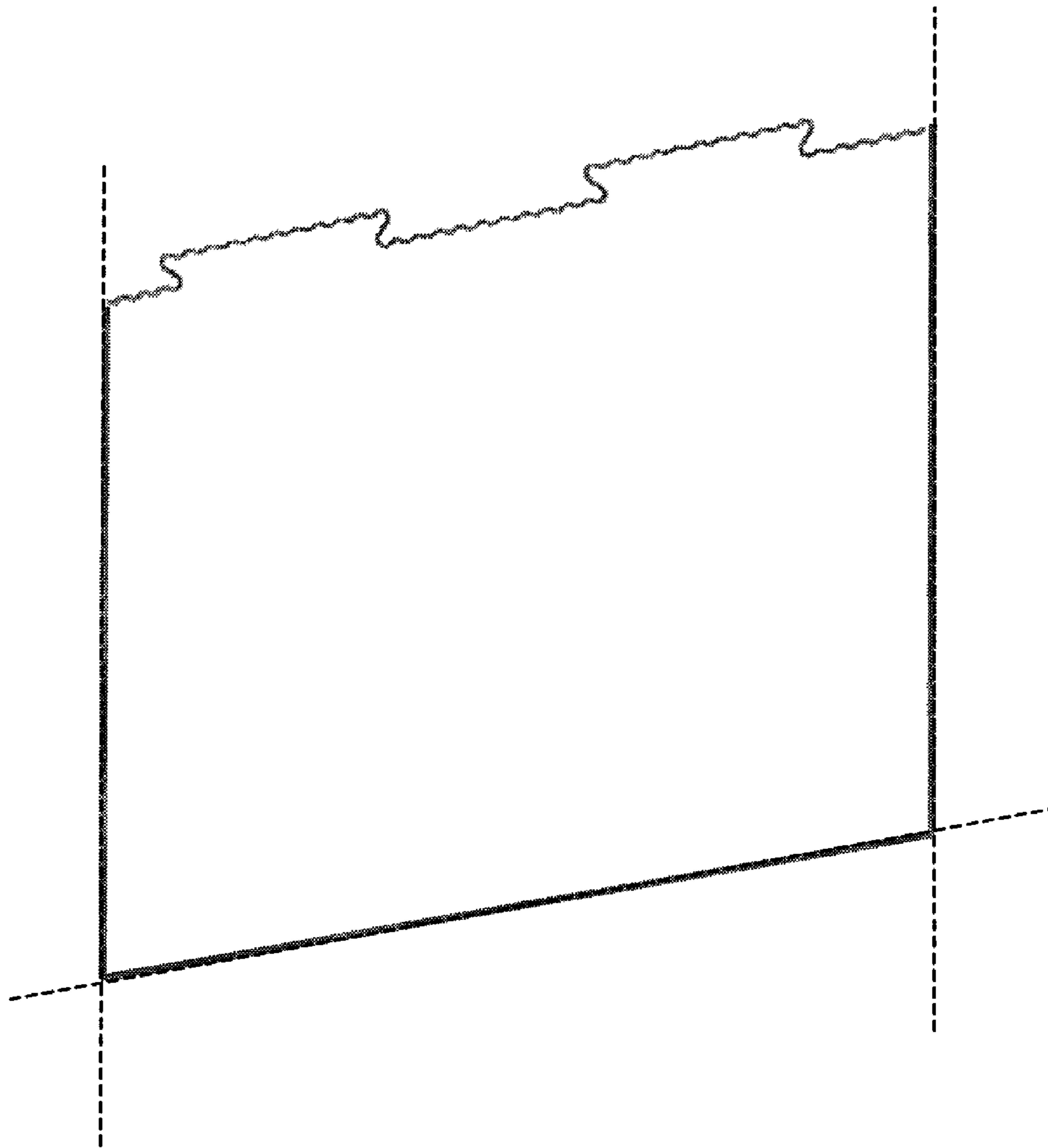


FIG. 1



**FIG. 2**



**FIG. 3**

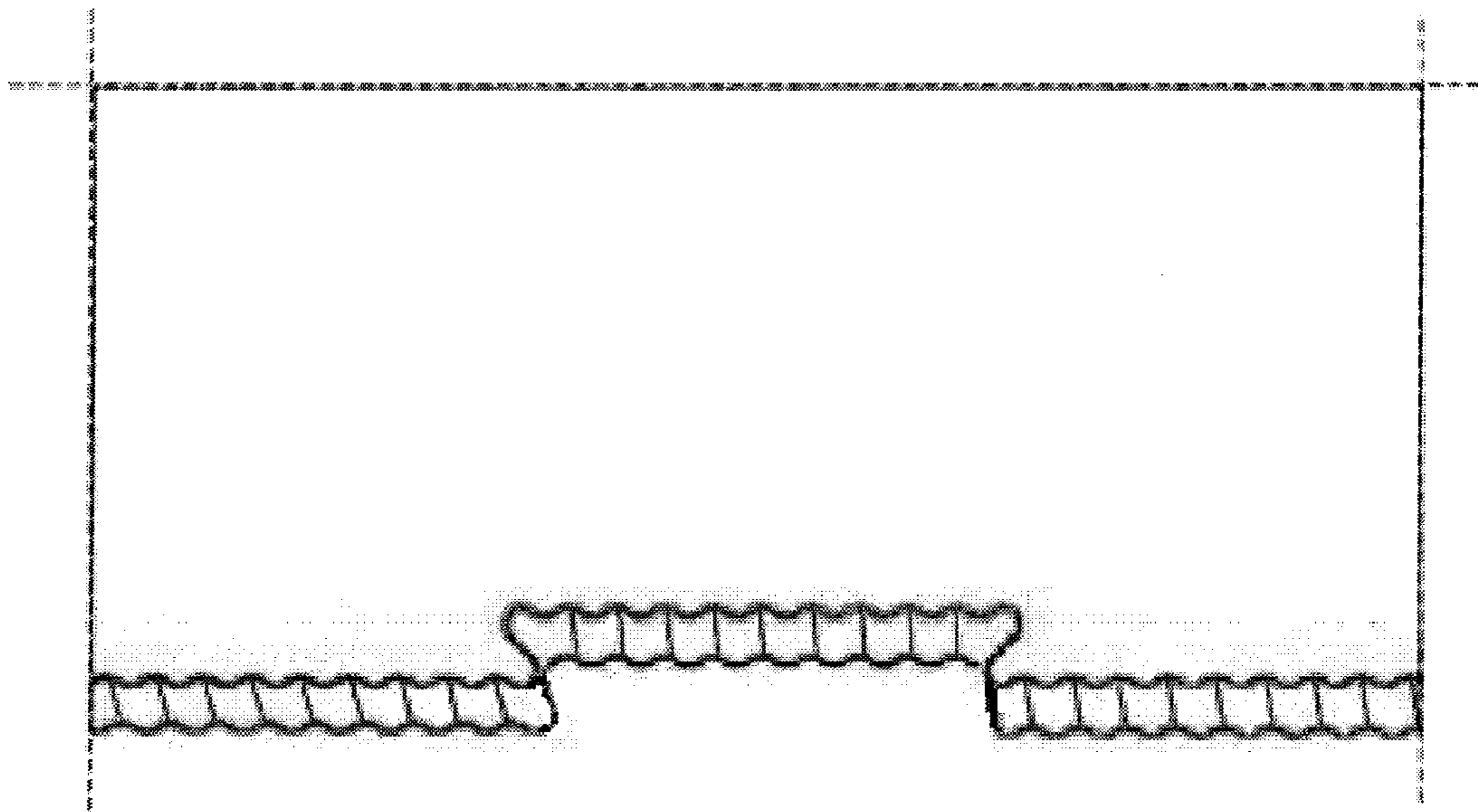


FIG. 4