



US00D636091S

(12) **United States Design Patent**
Brummitt

(10) **Patent No.:** **US D636,091 S**
(45) **Date of Patent:** **** Apr. 12, 2011**

(54) **ELECTRICAL DISPENSER FOR TWO COMPONENT CARTRIDGES**

FOREIGN PATENT DOCUMENTS

DE 26 22 093 12/1977

(Continued)

(75) Inventor: **Richard Brummitt**, Basingstoke (GB)

OTHER PUBLICATIONS

(73) Assignee: **P.C. Cox Limited**, Berkshire (GB)

U.S. Appl. No. 29/333,663, filed Mar. 12, 2009, Beckett.

(**) Term: **14 Years**

(Continued)

(21) Appl. No.: **29/338,906**

Primary Examiner — Charles A Rademaker

(22) Filed: **Jun. 19, 2009**

(74) *Attorney, Agent, or Firm* — Patterson Thuent Christensen Pedersen, P.A.

(51) **LOC (9) Cl.** **24-02**

(52) **U.S. Cl.** **D24/221**; D8/14.1; D24/152

(58) **Field of Classification Search** D24/147,
D24/152, 154, 221; 433/18, 19, 20, 22, 23,
433/24; D8/107, 90, 14.1; 222/145.6, 94,
222/95; 366/130

See application file for complete search history.

(57) **CLAIM**

I claim the ornamental design for electrical dispenser for two component cartridges, as shown and described.

DESCRIPTION

(56) **References Cited**

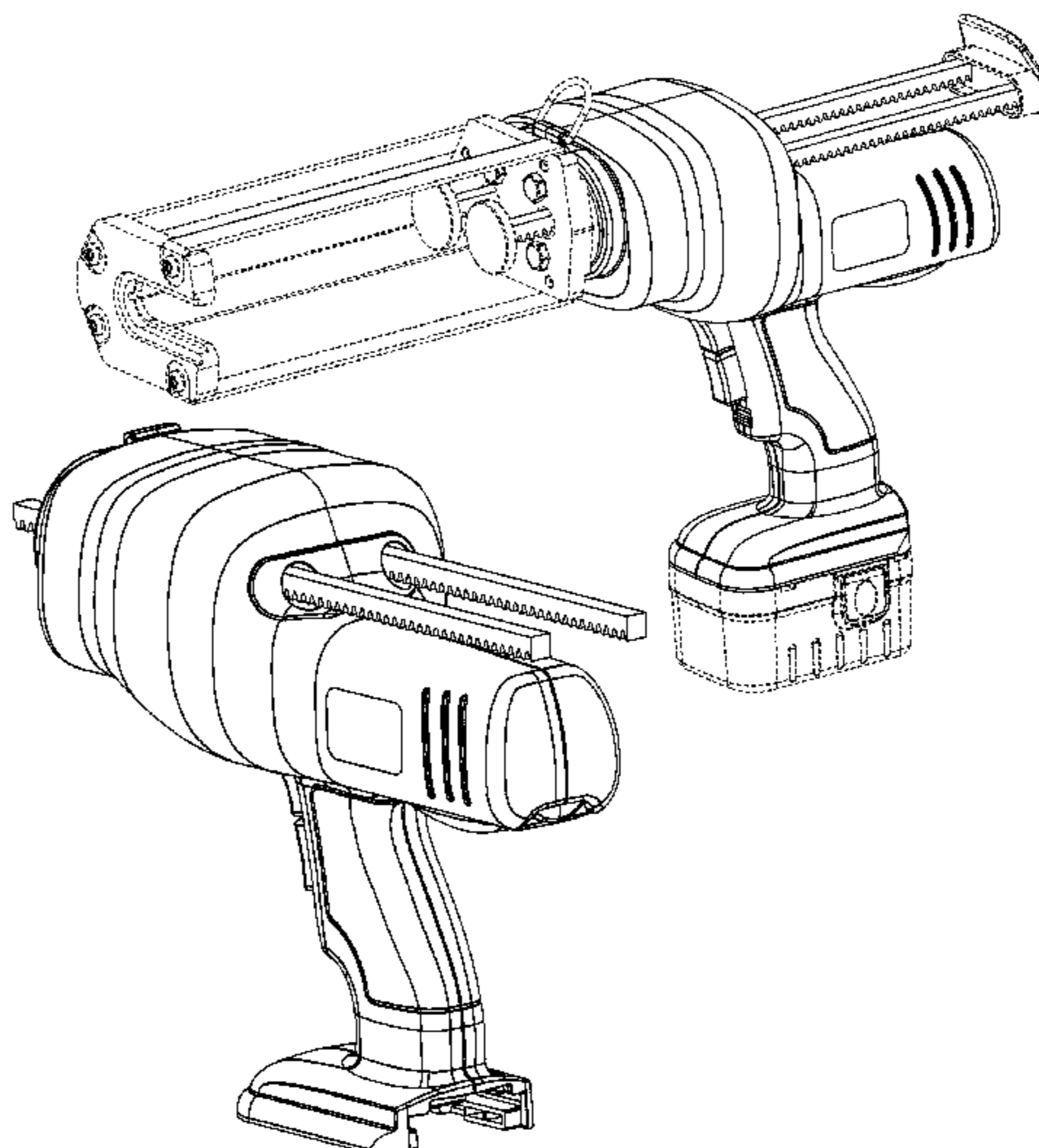
U.S. PATENT DOCUMENTS

3,513,545	A *	5/1970	Miller	433/23
4,067,479	A	1/1978	Moline	
4,424,032	A *	1/1984	Howe	433/19
4,479,779	A *	10/1984	Wool	433/20
4,501,554	A *	2/1985	Hickham	433/24
4,541,192	A	9/1985	Flodman et al.	
4,718,186	A	1/1988	Mattarelli	
5,005,735	A	4/1991	Keller	
D328,555	S *	8/1992	Keller	D8/14.1
5,248,068	A	9/1993	Goergen et al.	
5,336,014	A	8/1994	Keller	
5,361,946	A	11/1994	Ginther et al.	
5,520,658	A	5/1996	Holm	
5,875,928	A	3/1999	Müller et al.	
5,924,600	A	7/1999	Keller	
6,030,214	A	2/2000	Zwingenberger	
6,047,861	A	4/2000	Vidal et al.	
6,241,518	B1 *	6/2001	Sullivan	433/22
6,241,708	B1	6/2001	Reilly et al.	
6,332,774	B1 *	12/2001	Chikami	433/20
6,394,982	B1	5/2002	Ehrenfels	
6,607,512	B2	8/2003	Oliver et al.	

(Continued)

FIG. 1 is a front perspective view of an electrical dispenser for two component cartridges showing our new design;
 FIG. 2 is a rear perspective view thereof;
 FIG. 3 is a side elevation thereof;
 FIG. 4 is a side elevation of the side opposite that shown in FIG. 3;
 FIG. 5 is a front elevation thereof;
 FIG. 6 is a rear elevation thereof;
 FIG. 7 is a top plan view thereof;
 FIG. 8 is a bottom plan view thereof;
 FIG. 9 is another front perspective view of the design shown in FIGS. 1-8 with broken lines showing environment that form no part of the claim;
 FIG. 10 is a rear perspective view thereof;
 FIG. 11 is a side elevation thereof;
 FIG. 12 is a side elevation of the side opposite that shown in FIG. 3;
 FIG. 13 is a front elevation thereof;
 FIG. 14 is a rear elevation thereof;
 FIG. 15 is a top plan view thereof; and,
 FIG. 16 is a bottom plan view thereof.

1 Claim, 16 Drawing Sheets



US D636,091 S

Page 2

U.S. PATENT DOCUMENTS

6,685,469 B2 * 2/2004 Chishti et al. 433/24
6,705,863 B2 * 3/2004 Phan et al. 433/24
6,716,195 B2 4/2004 Nolan, Jr. et al.
7,090,490 B2 * 8/2006 Graham et al. 433/18
D545,152 S * 6/2007 Lopano et al. D8/14.1
D548,551 S * 8/2007 Lopano et al. D8/14.1
2002/0108971 A1 8/2002 Lafond
2006/0027605 A1 2/2006 Beckett et al.
2008/0144426 A1 * 6/2008 Janssen et al. 366/130

FOREIGN PATENT DOCUMENTS

DE 94 14 069.3 12/1994
EP 0 279 992 A2 8/1988

EP 0 443 611 A2 8/1991
EP 0 543 776 B1 10/1995
EP 0 791 403 A1 8/1997
EP 1 623 770 A2 8/2006
EP 1 623 770 A3 8/2008
GB 530862 12/1940
GB 0417593.1 8/2004

OTHER PUBLICATIONS

Office Action mailed Sep. 15, 2008 in U.S. Appl. No. 11/196,704.
European Search Report, EP 1 623 770, dated Jul. 11, 2008.
Office Action mailed Jan. 24, 2008 in U.S. Appl. No. 11/196,704.

* cited by examiner

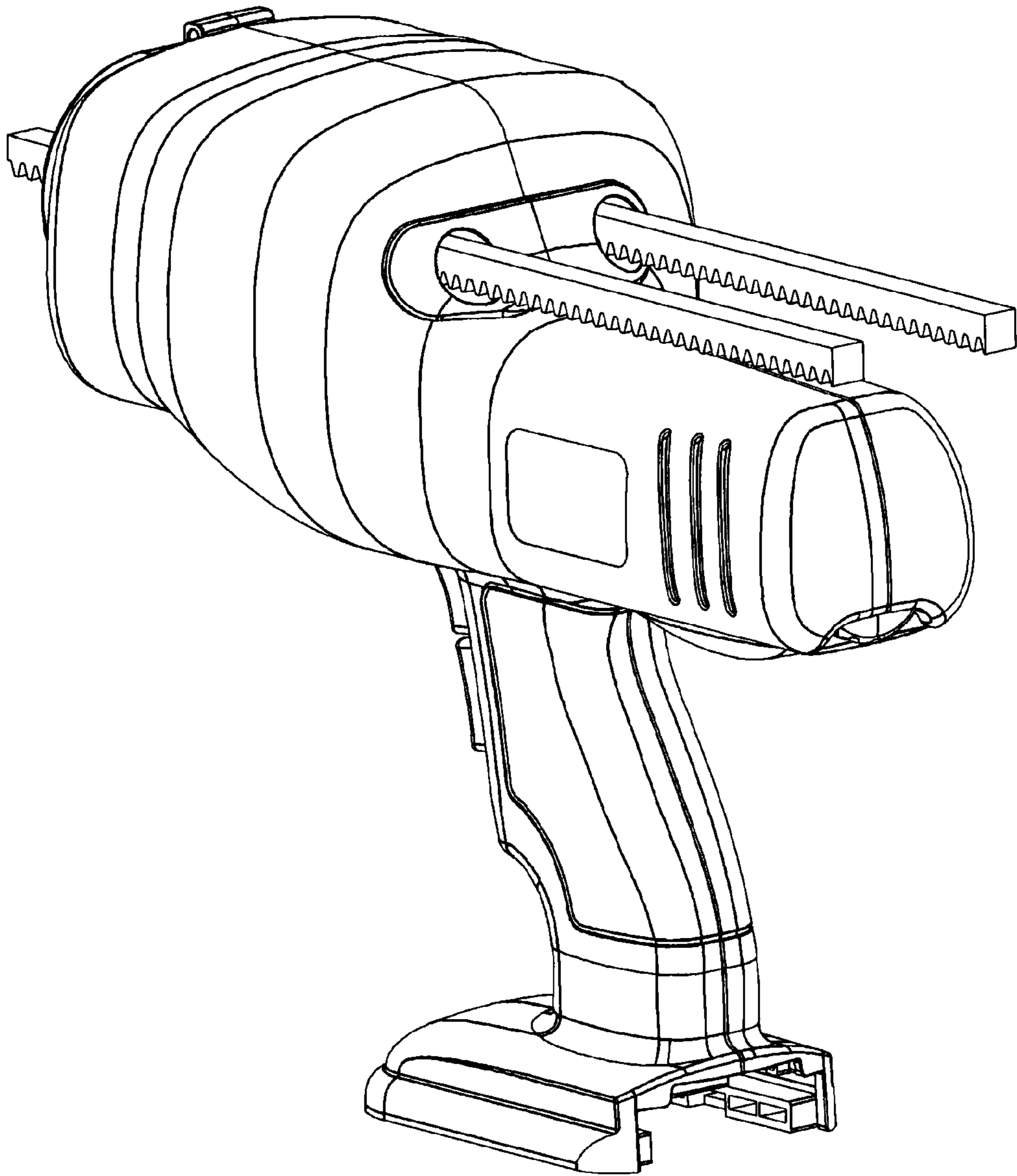


Fig. 1

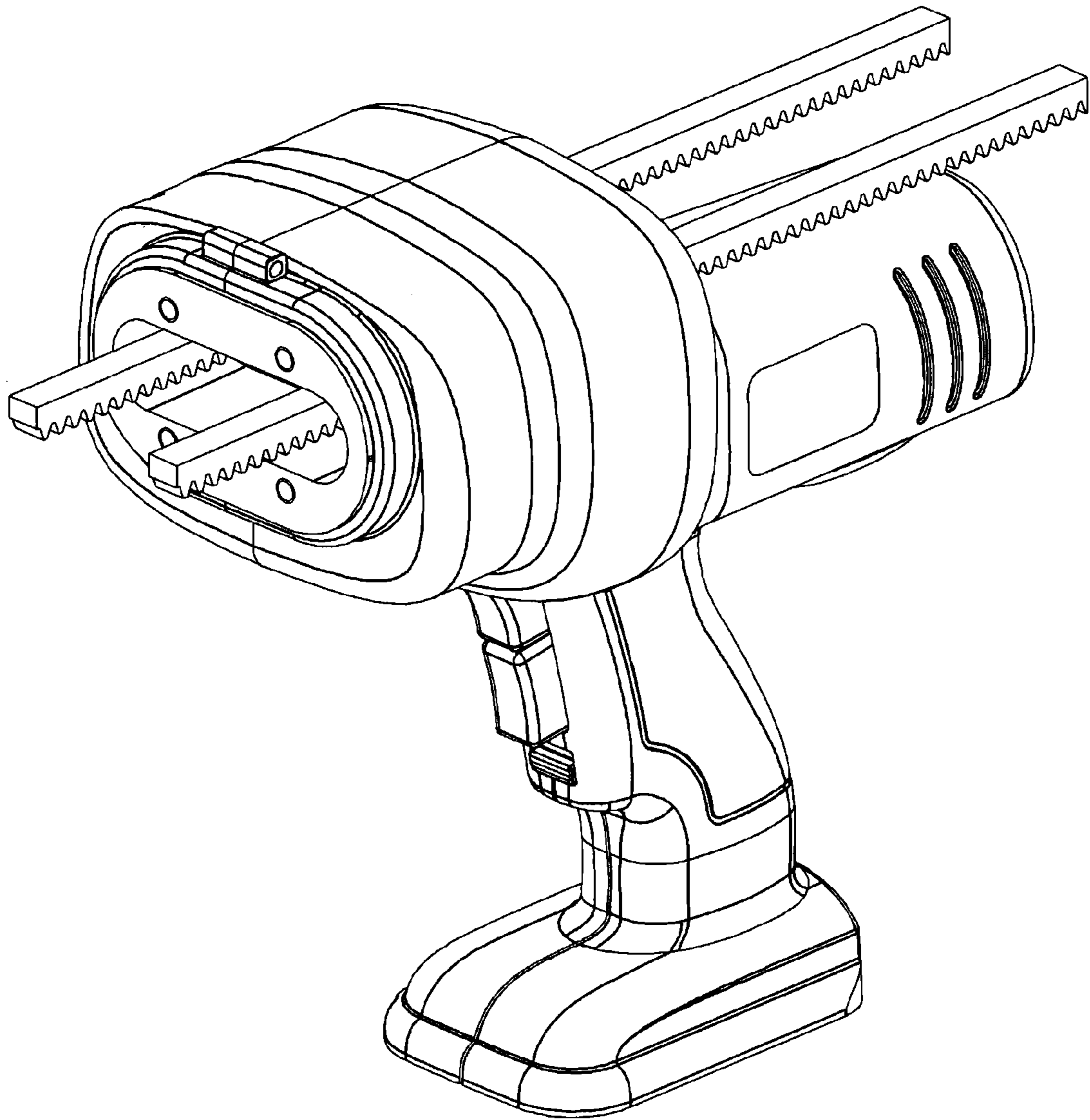


Fig. 2

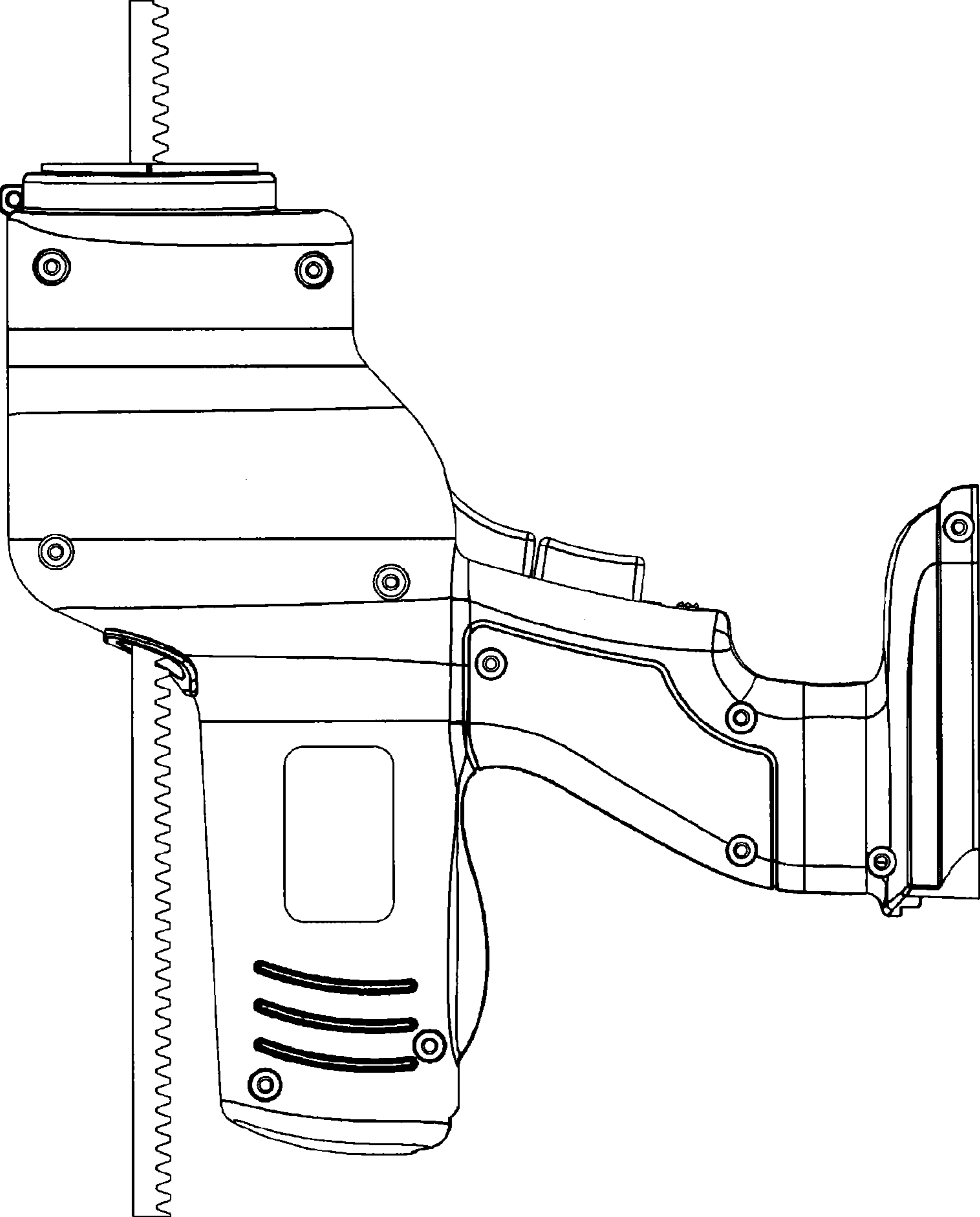


Fig. 3

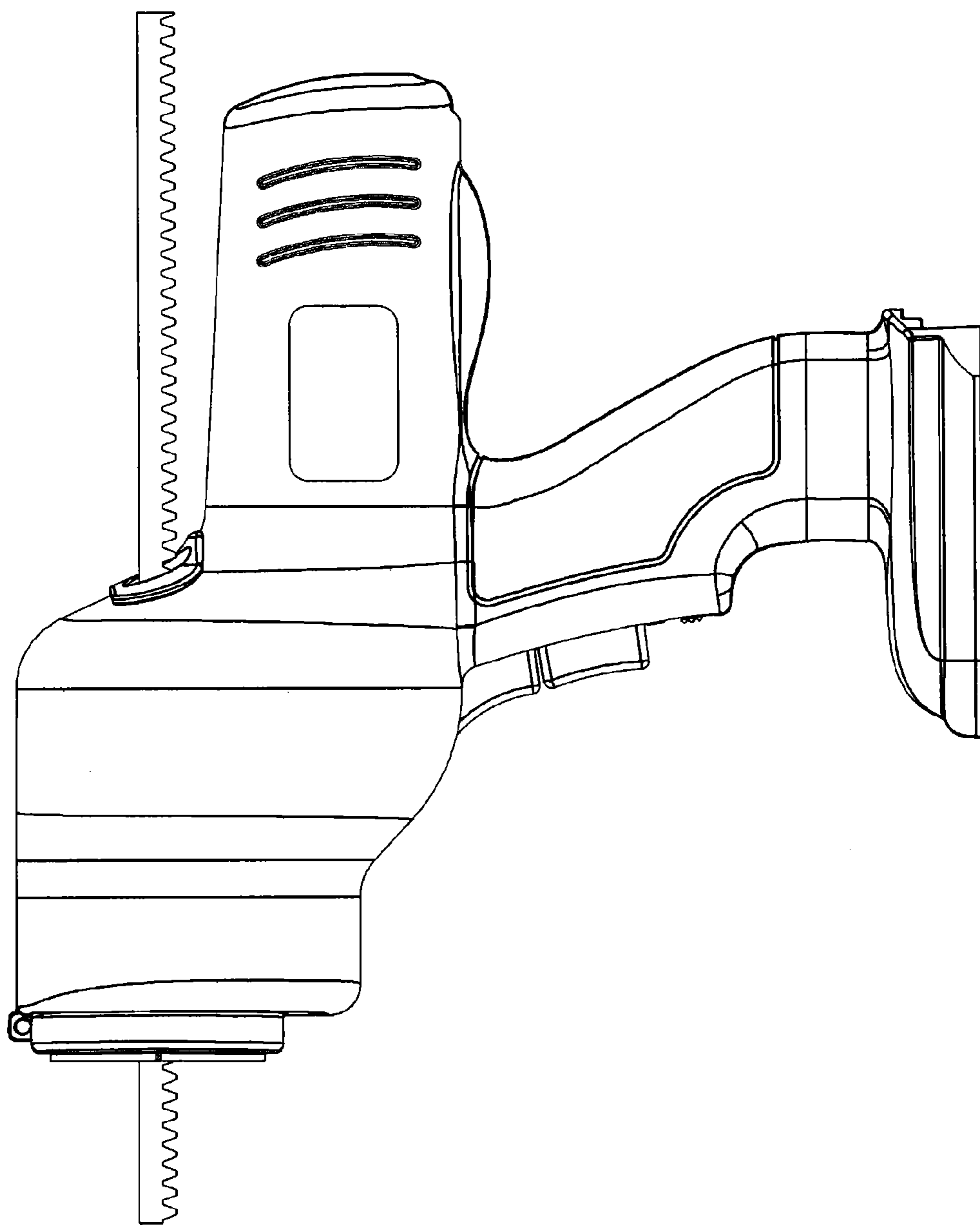


Fig. 4

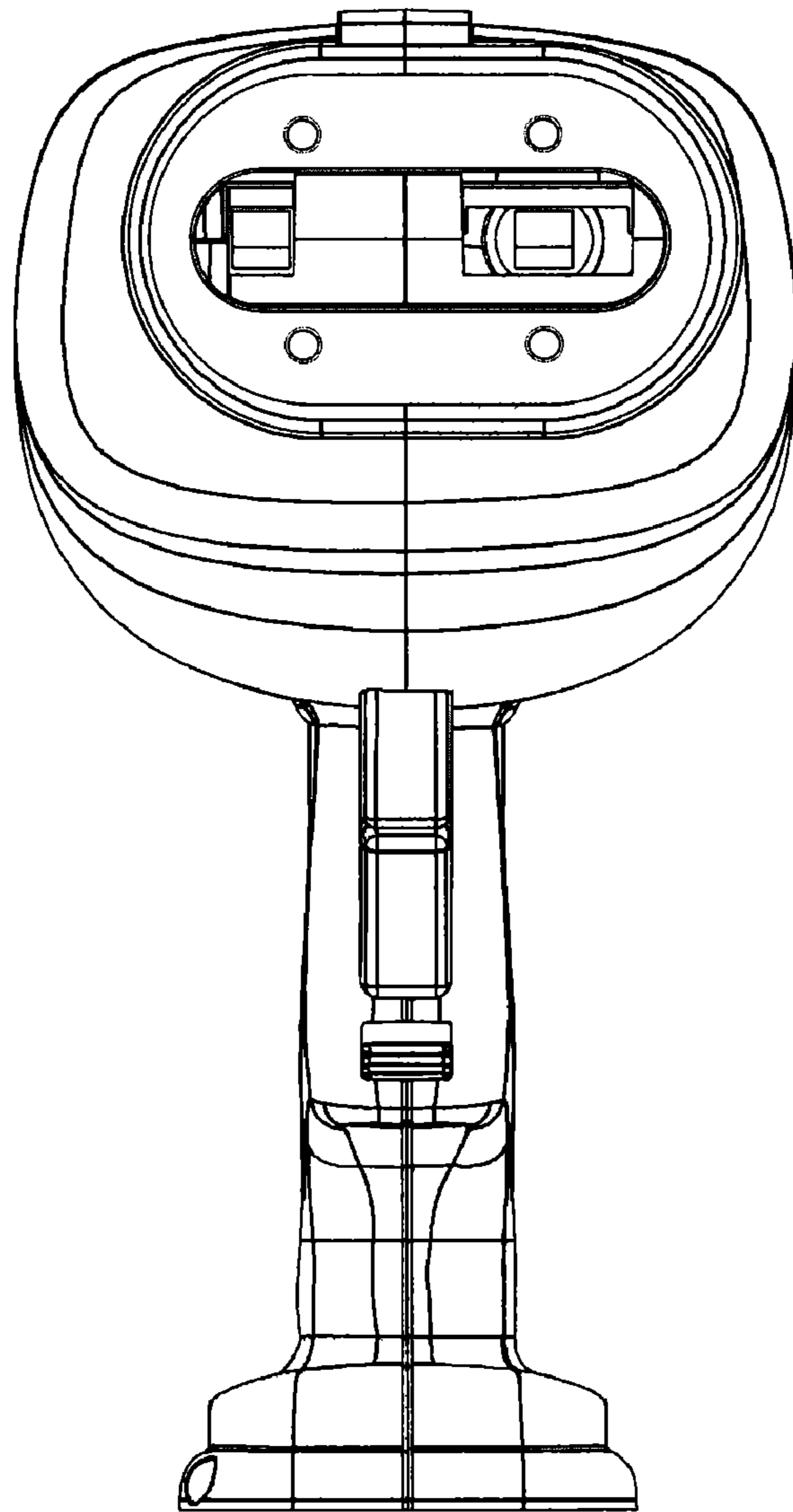


Fig. 5

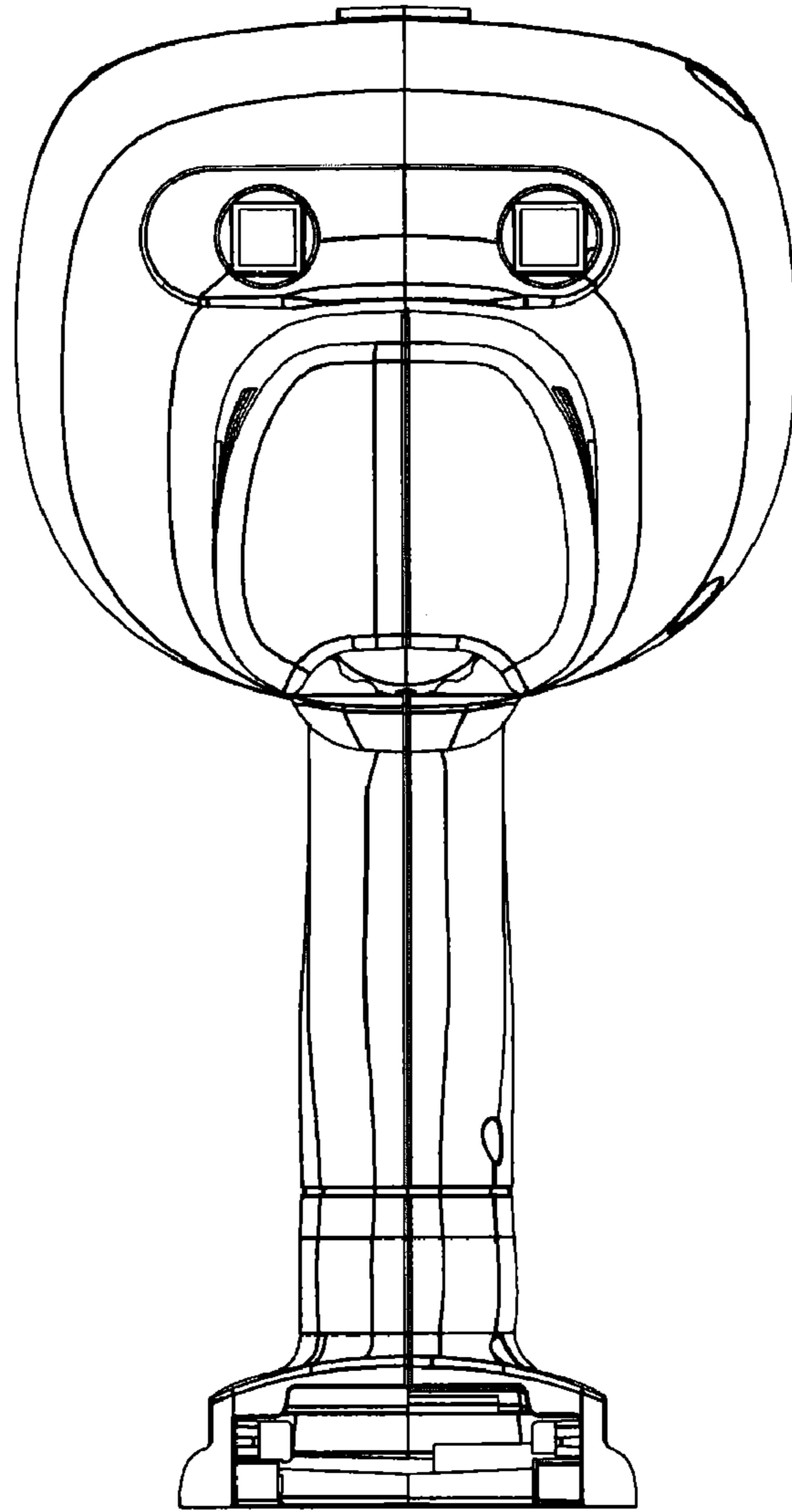


Fig. 6

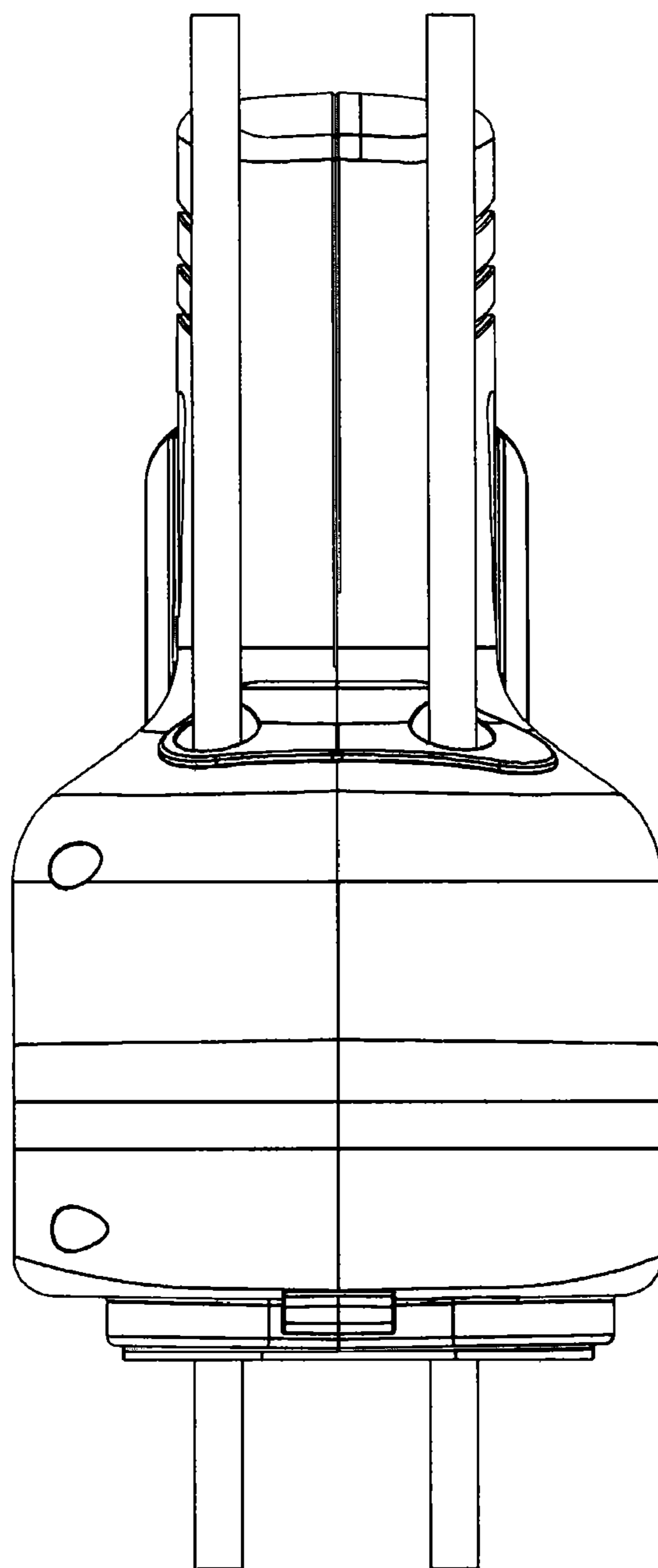


Fig. 7

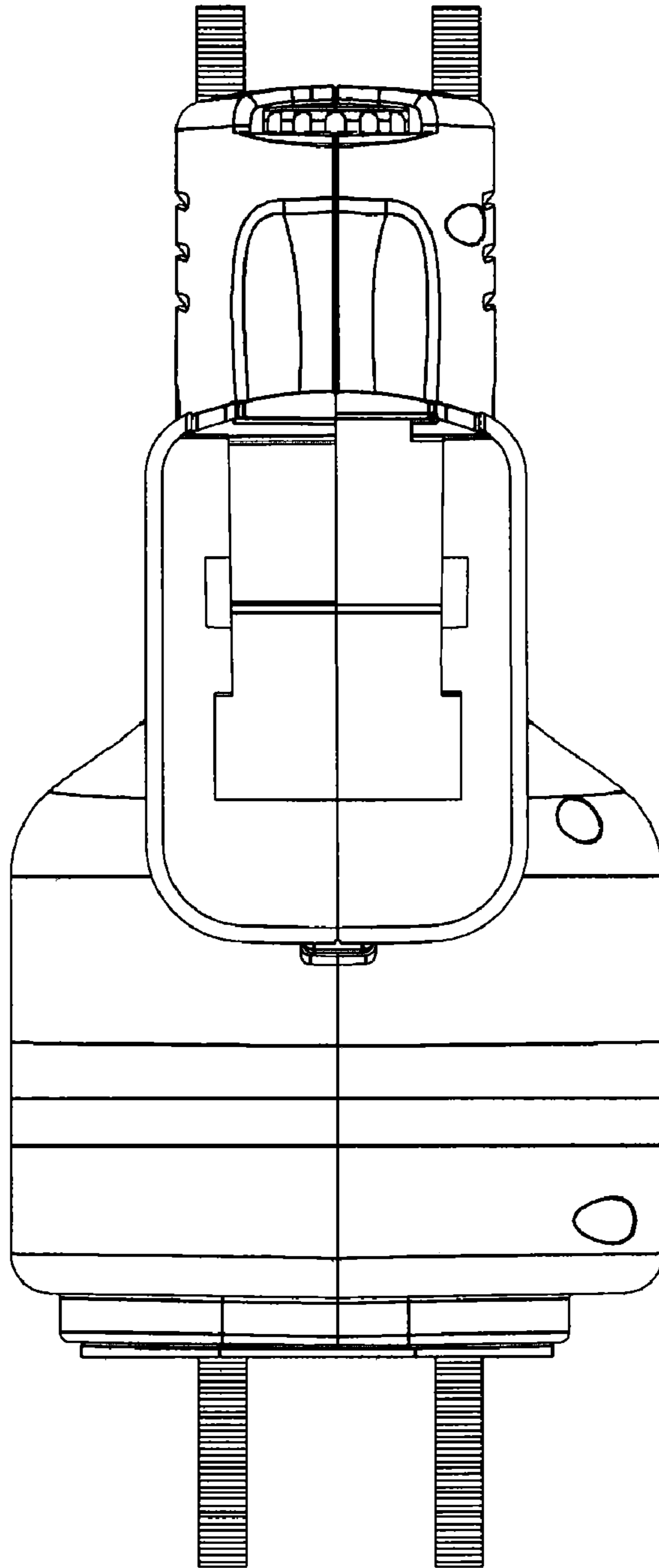


Fig. 8

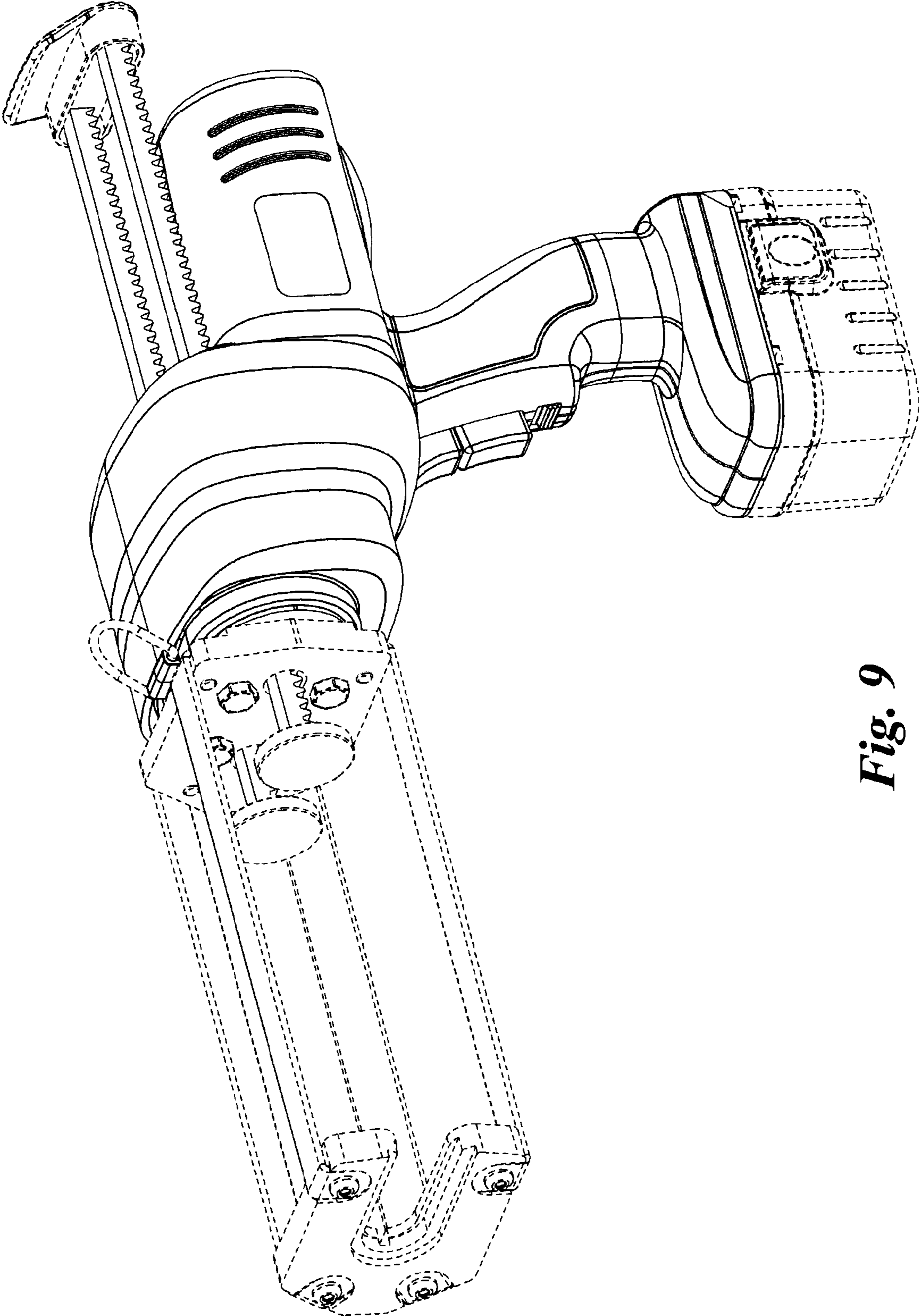


Fig. 9

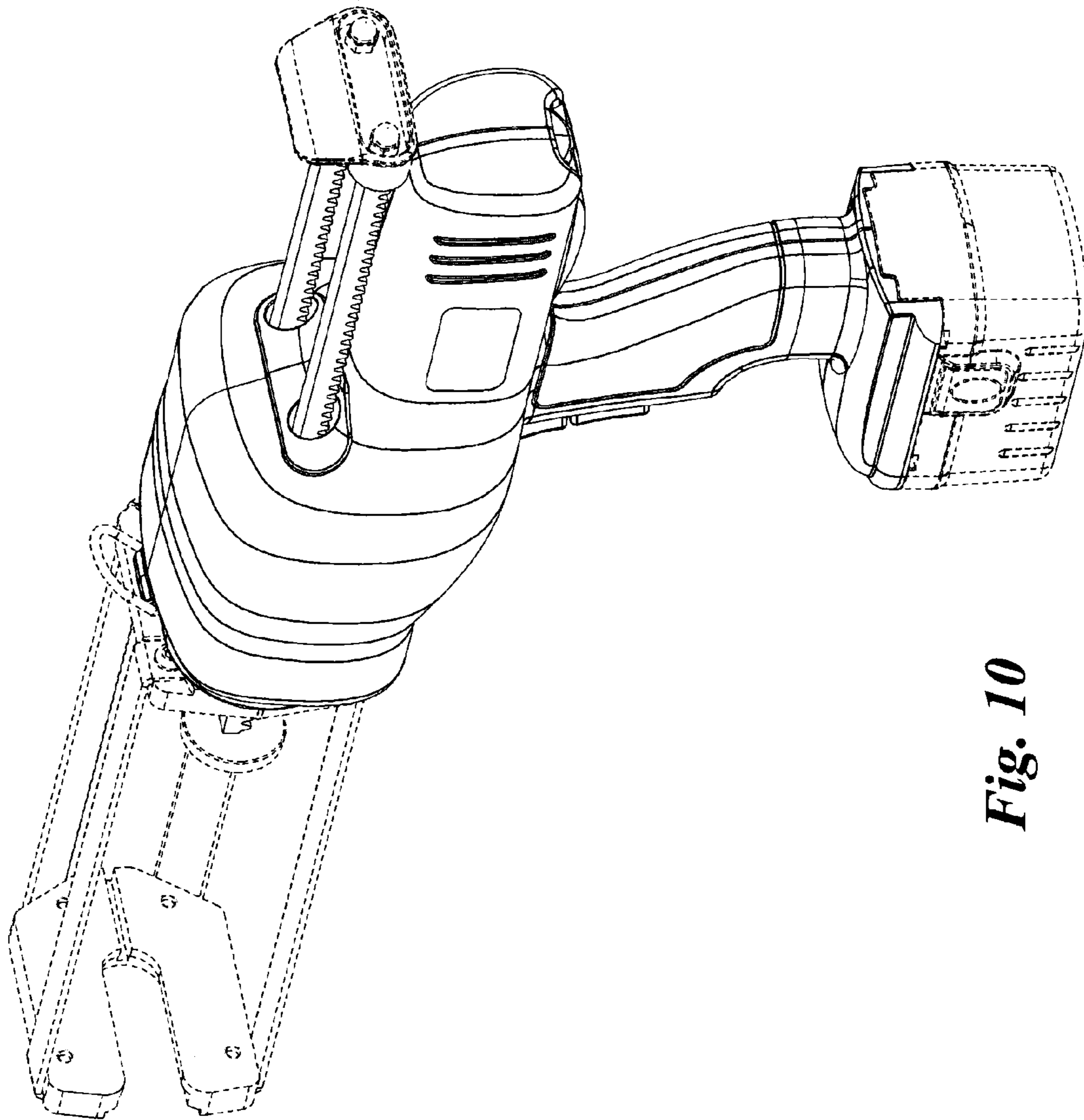


Fig. 10

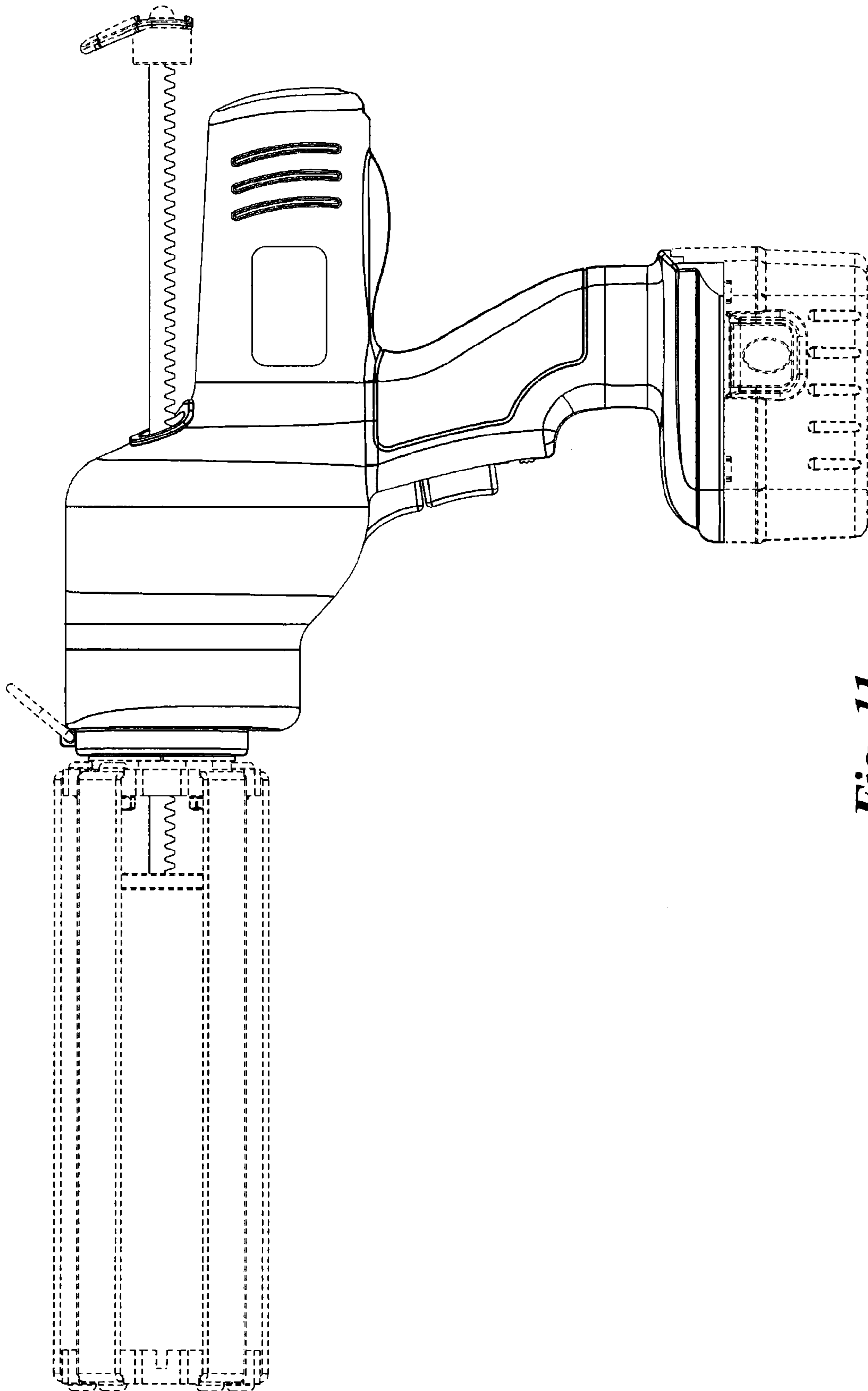


Fig. 11

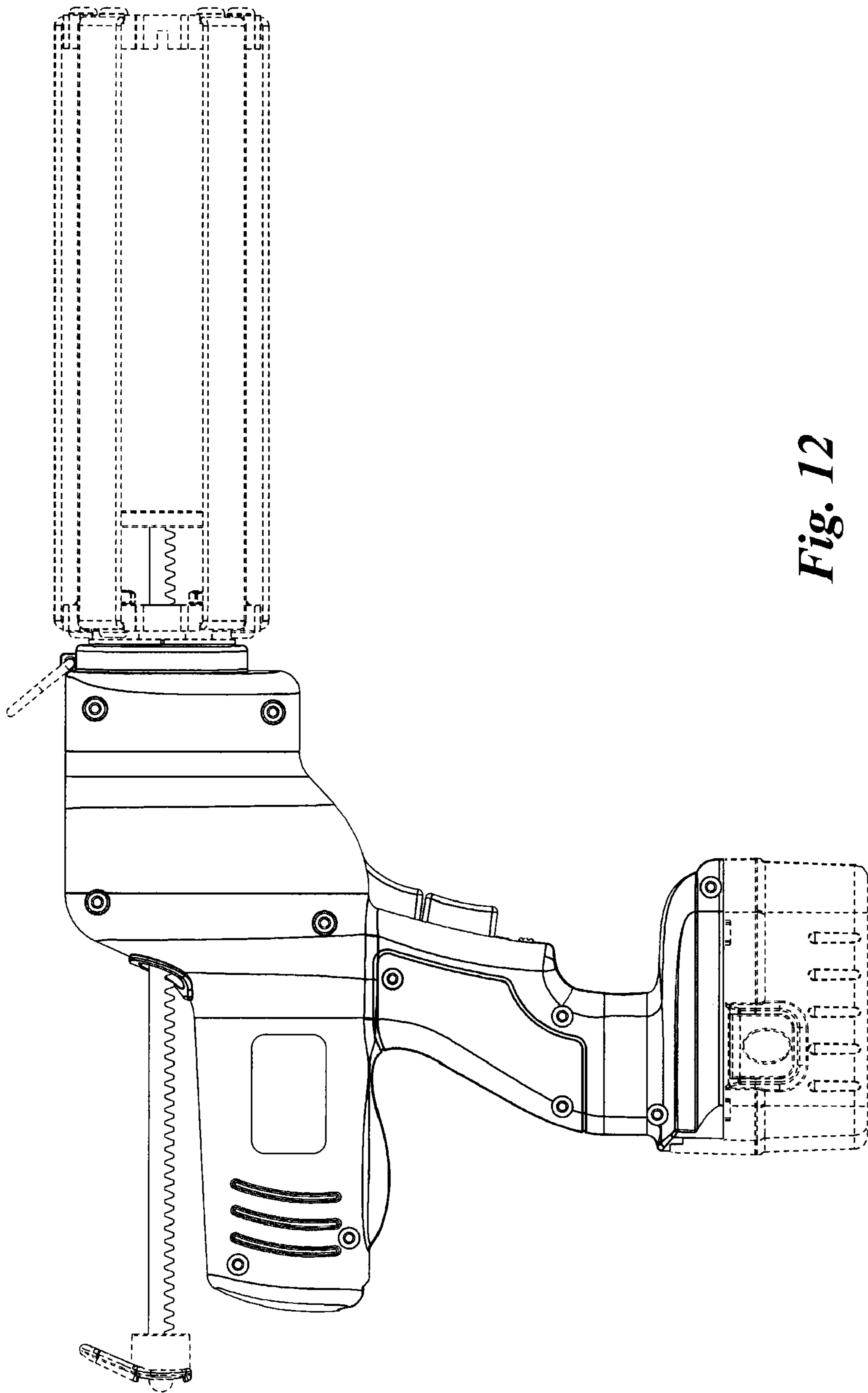


Fig. 12

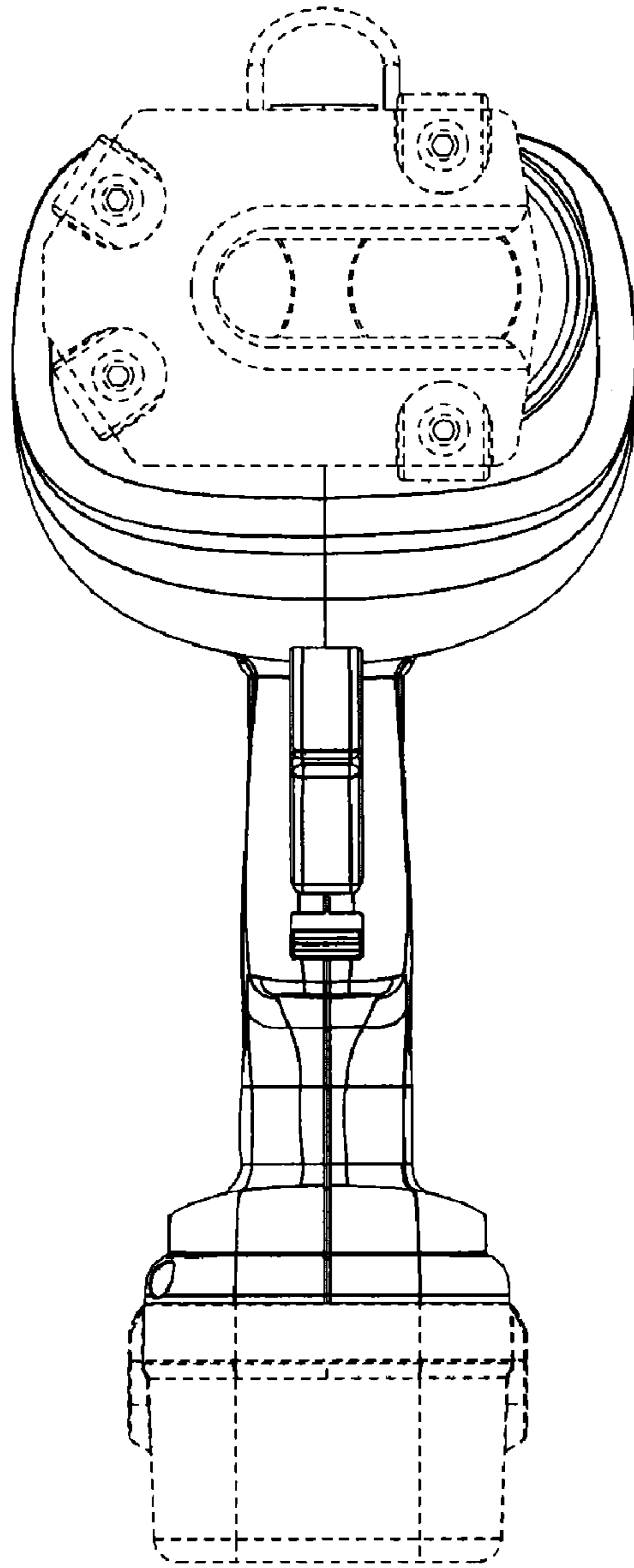


Fig. 13

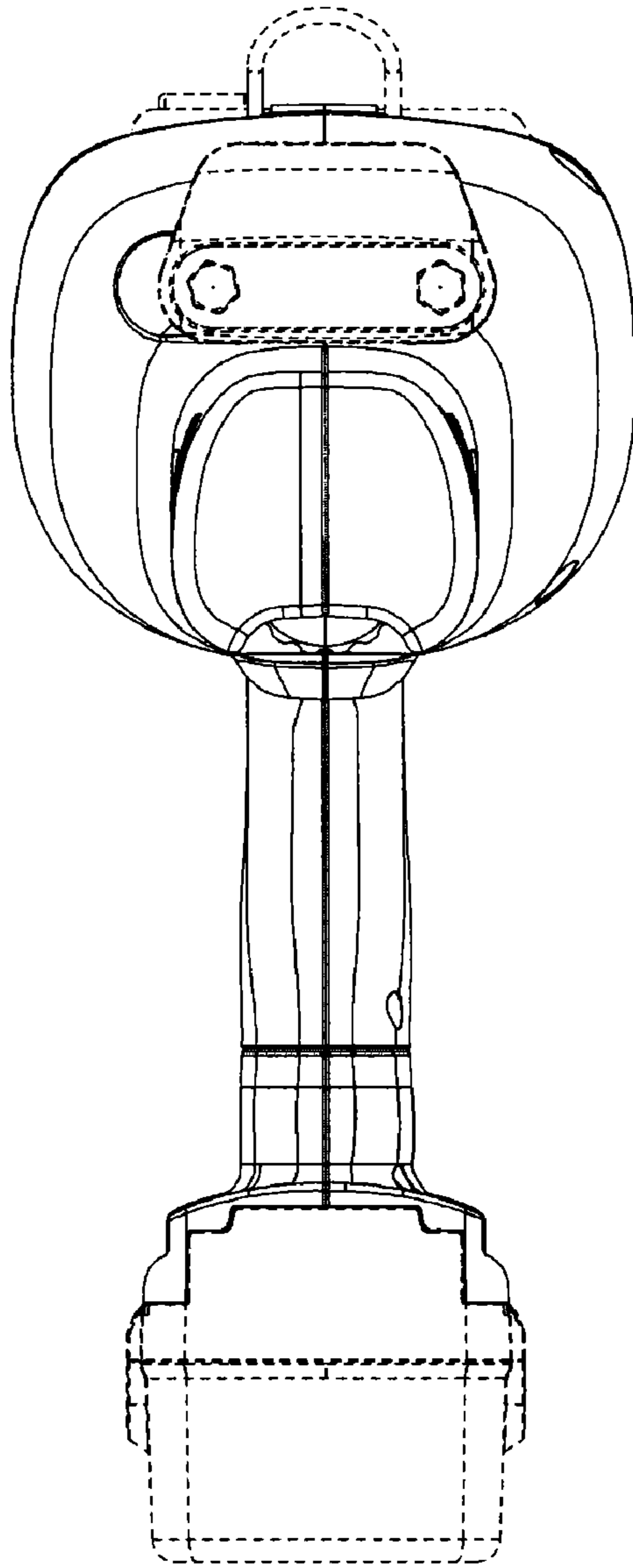


Fig. 14

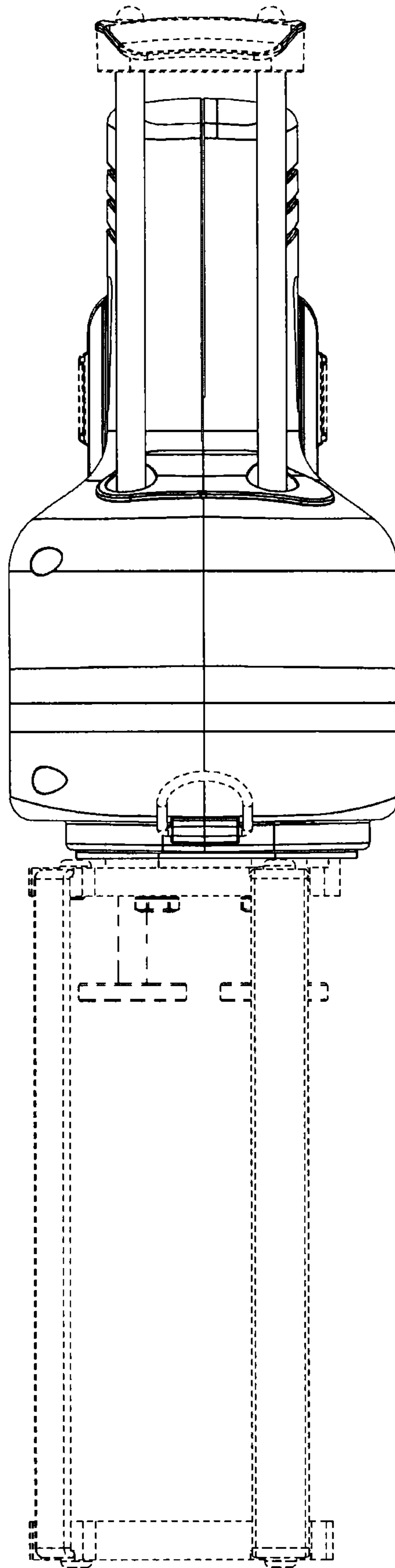


Fig. 15

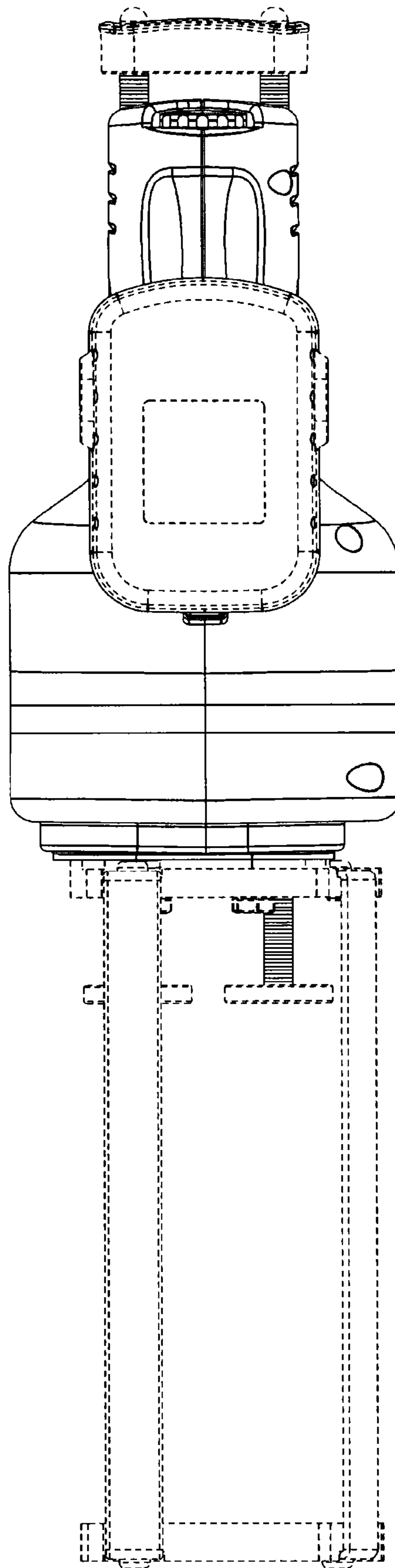


Fig. 16