



US00D636089S

(12) **United States Design Patent**  
**Yoo**

(10) **Patent No.:** **US D636,089 S**

(45) **Date of Patent:** **\*\* Apr. 12, 2011**

(54) **ACUPRESSURE ELEMENT FOR CUPPING  
DEVICE**

(76) **Inventor:** **Tae Woo Yoo**, Chungcheongnam-do  
(KR)

(\*\*) **Term:** **14 Years**

(21) **Appl. No.:** **29/362,814**

(22) **Filed:** **Jun. 1, 2010**

(30) **Foreign Application Priority Data**

Mar. 2, 2010 (KR) ..... 30-2010-0008851

(51) **LOC (9) Cl.** ..... **28-03**

(52) **U.S. Cl.** ..... **D24/200**

(58) **Field of Classification Search** ..... D24/200,  
D24/133, 142, 211, 214; 606/204, 201; 601/46,  
601/62, 95, 107, 109, 134, 135, 169, 154,  
601/157, 122, 121; 604/24, 289; D8/349;  
368/10

See application file for complete search history.

(56) **References Cited**

**U.S. PATENT DOCUMENTS**

2,379,330	A *	6/1945	Wilensky	.....	601/154
2,448,846	A *	9/1948	Trochim	.....	601/154
2,480,023	A *	8/1949	Holden	.....	D24/211
2,565,270	A *	8/1951	Schumacher	.....	601/154
3,662,406	A *	5/1972	Giglio	.....	601/157
D347,282	S *	5/1994	Yoo	.....	D24/211

5,774,424	A *	6/1998	Yoo	.....	368/10
6,544,201	B1 *	4/2003	Guitay	.....	601/122
D514,328	S *	2/2006	Huang	.....	D24/211
D523,962	S *	6/2006	Huang	.....	D24/214
7,112,178	B1 *	9/2006	Roozenburg	.....	601/121
D542,418	S *	5/2007	Chen	.....	D24/211
D555,796	S *	11/2007	Kawaguchi	.....	D24/214

\* cited by examiner

*Primary Examiner* — David G Muller

(74) *Attorney, Agent, or Firm* — Richard M. Goldberg

(57) **CLAIM**

The ornamental design for acupressure element for cupping device, as shown and described.

**DESCRIPTION**

FIG. 1 is a perspective view of the acupressure element for cupping device of my design;  
FIG. 2 is a front elevational view thereof;  
FIG. 3 is a rear elevational view thereof;  
FIG. 4 is a top plan view thereof;  
FIG. 5 is a bottom plan view thereof;  
FIG. 6 is a left side elevational view thereof;  
FIG. 7 is a right side elevational view thereof;  
FIG. 8 is a cross-sectional view thereof, taken along line 8—8 of FIG. 4; and,  
FIG. 9 is an exploded, perspective view thereof.

**1 Claim, 2 Drawing Sheets**

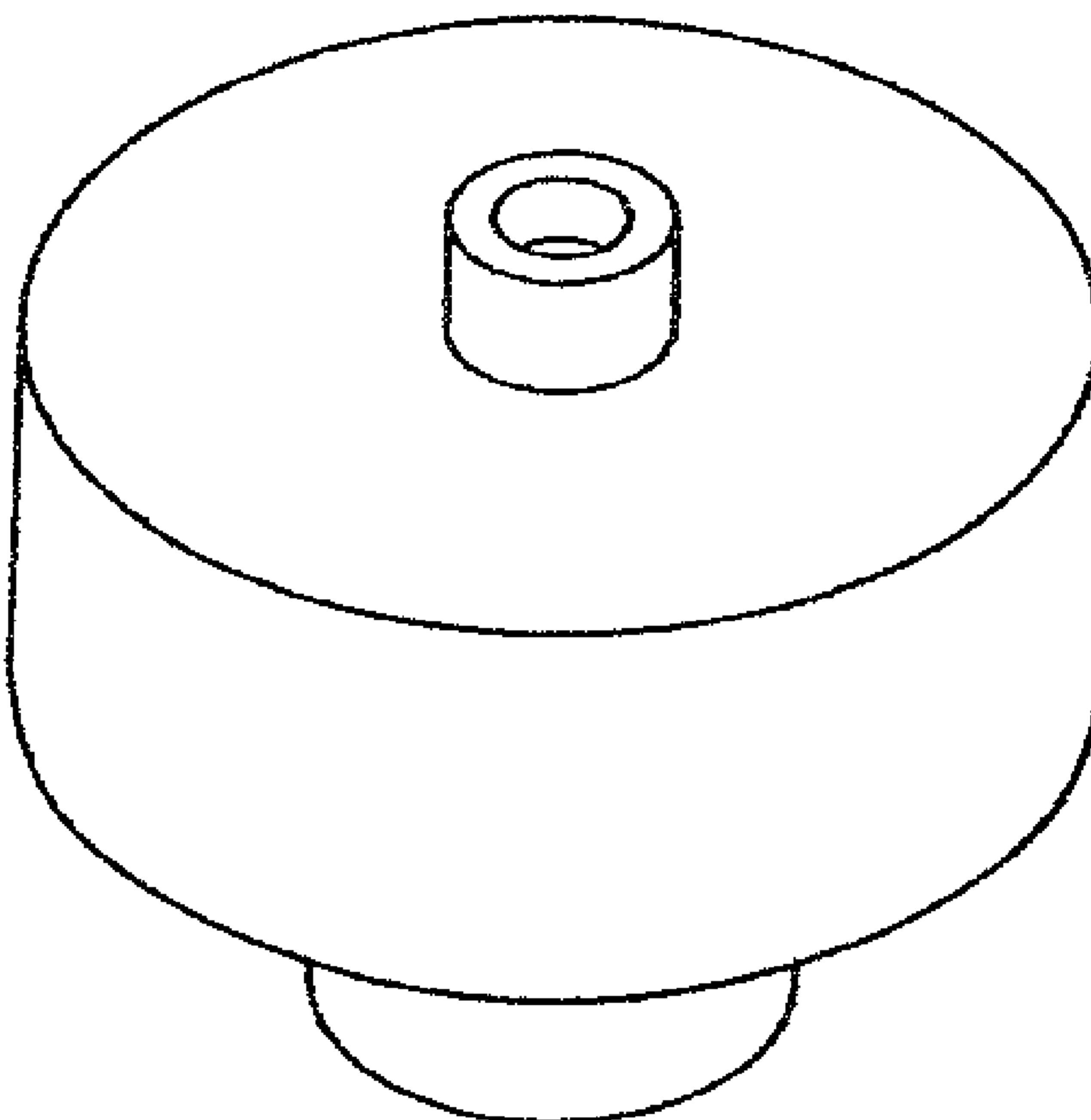


FIG. 1

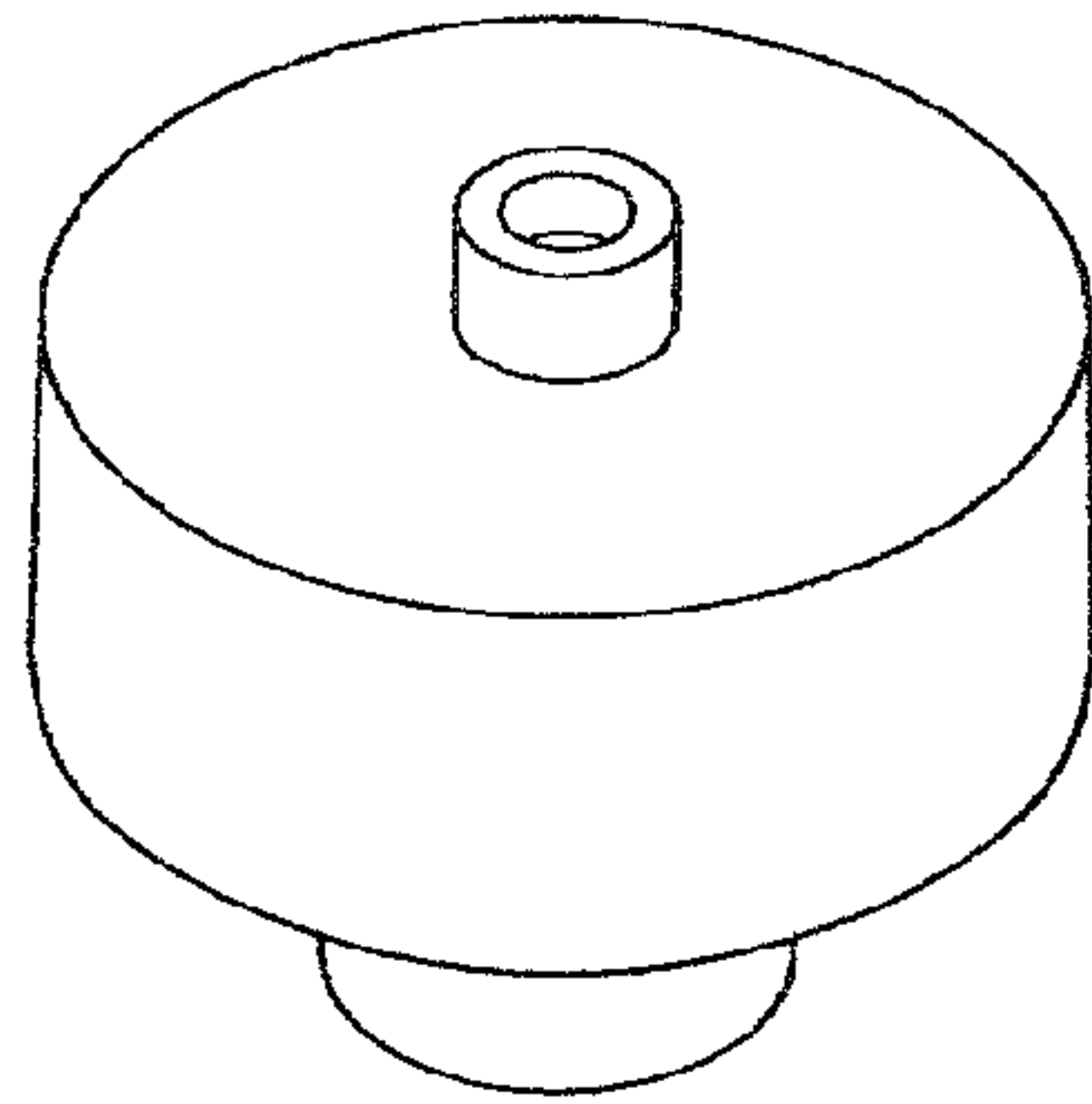


FIG. 2

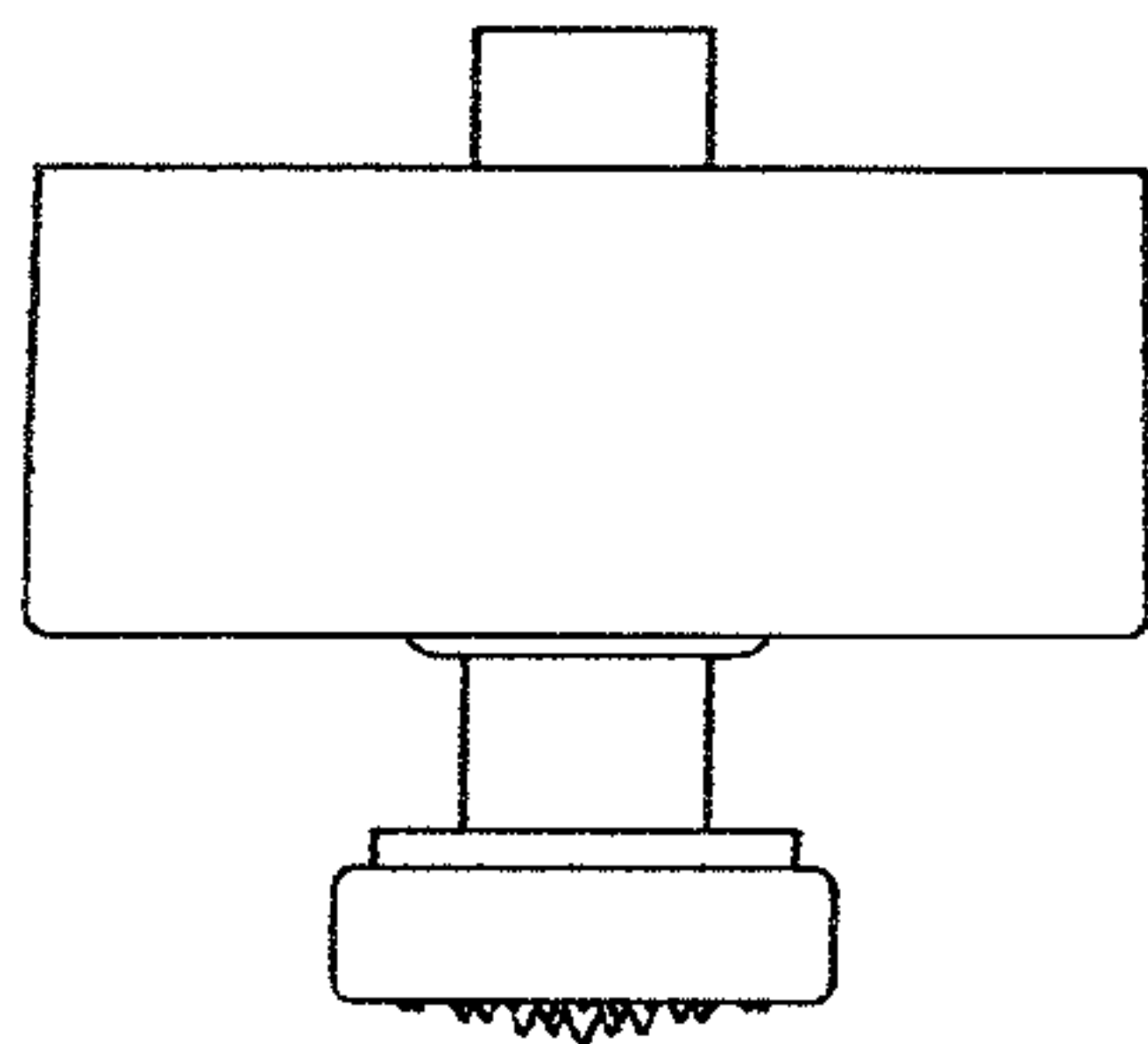


FIG. 3

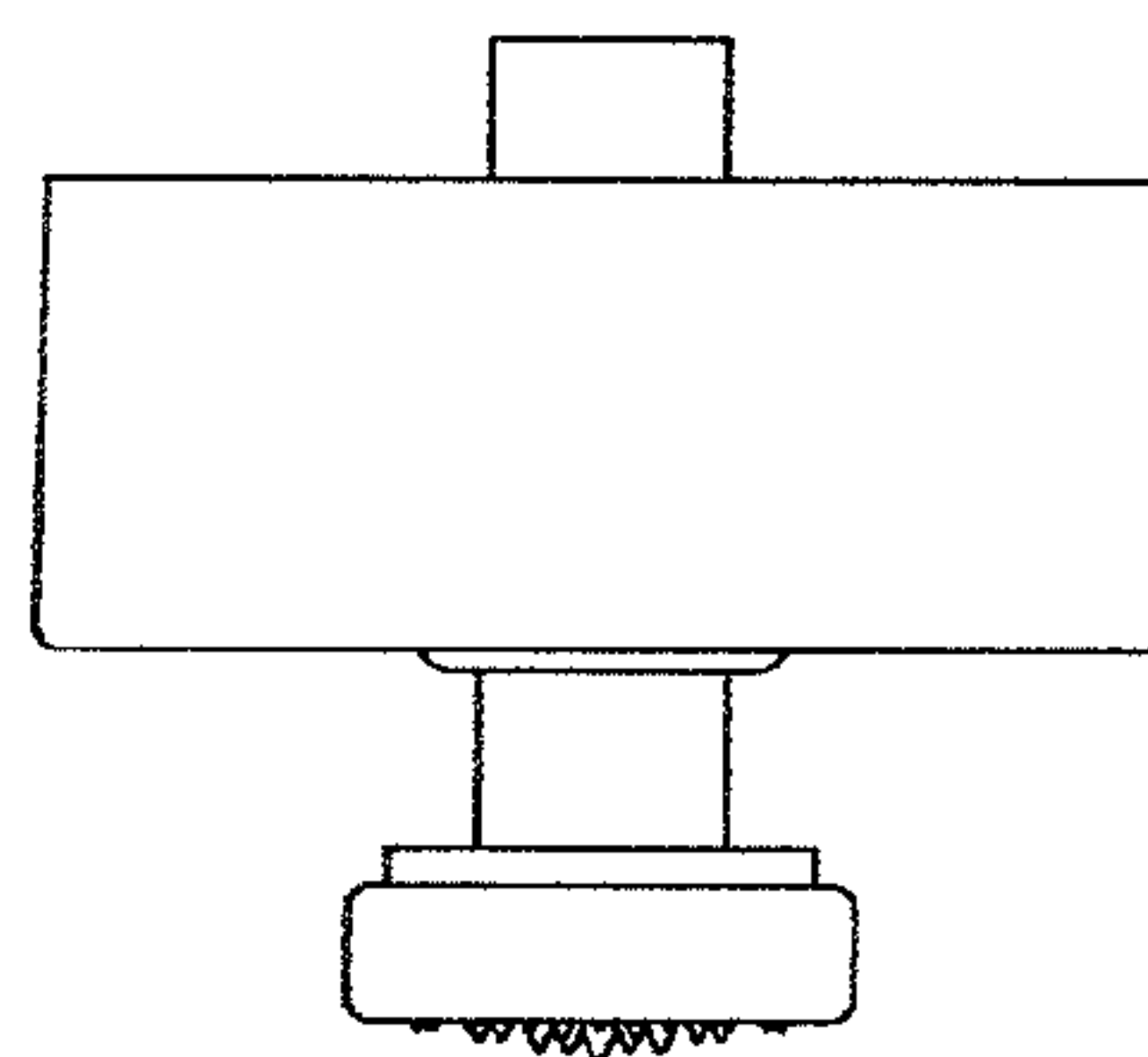


FIG. 4

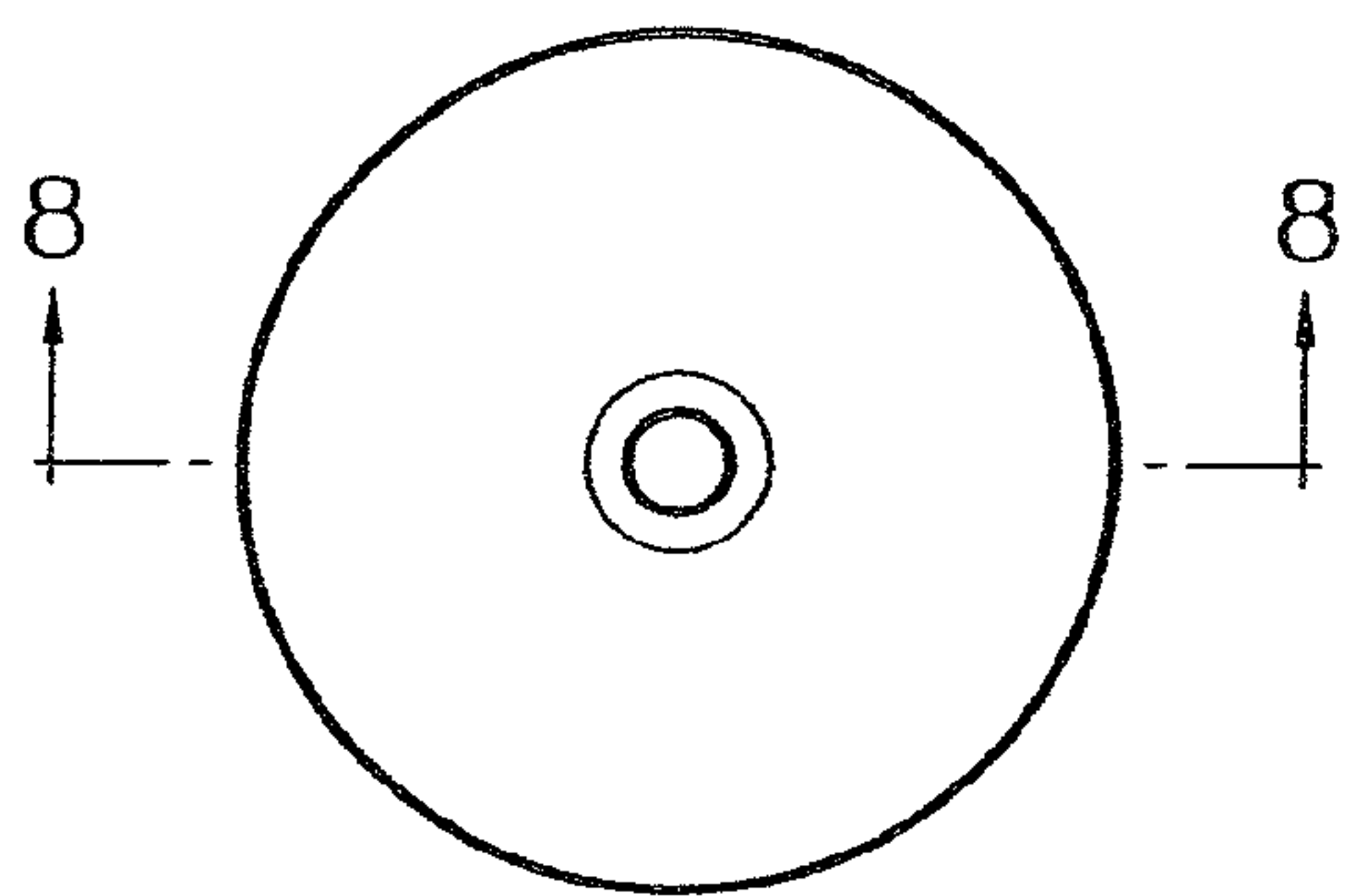


FIG. 5

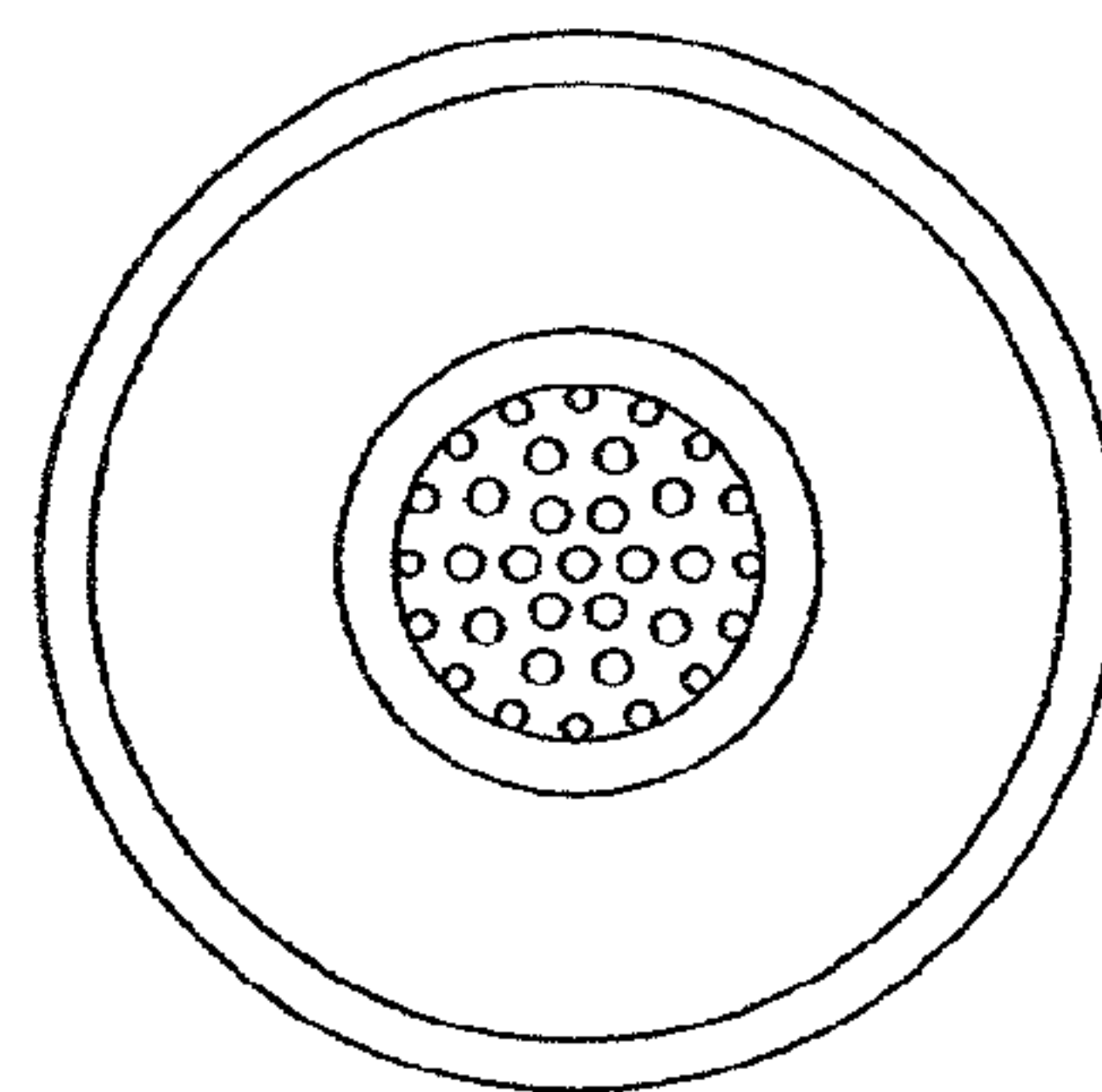


FIG. 6

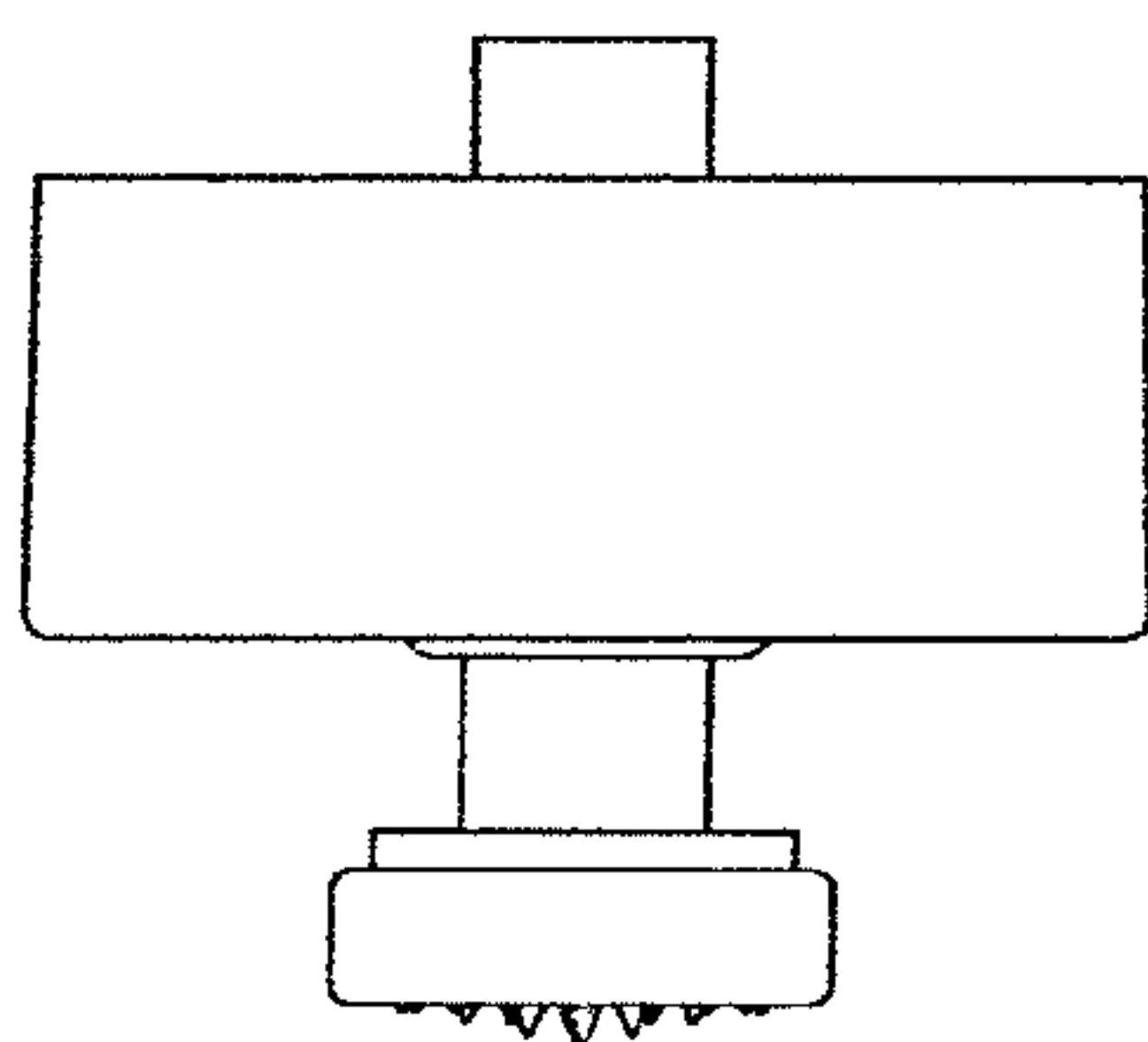


FIG. 7

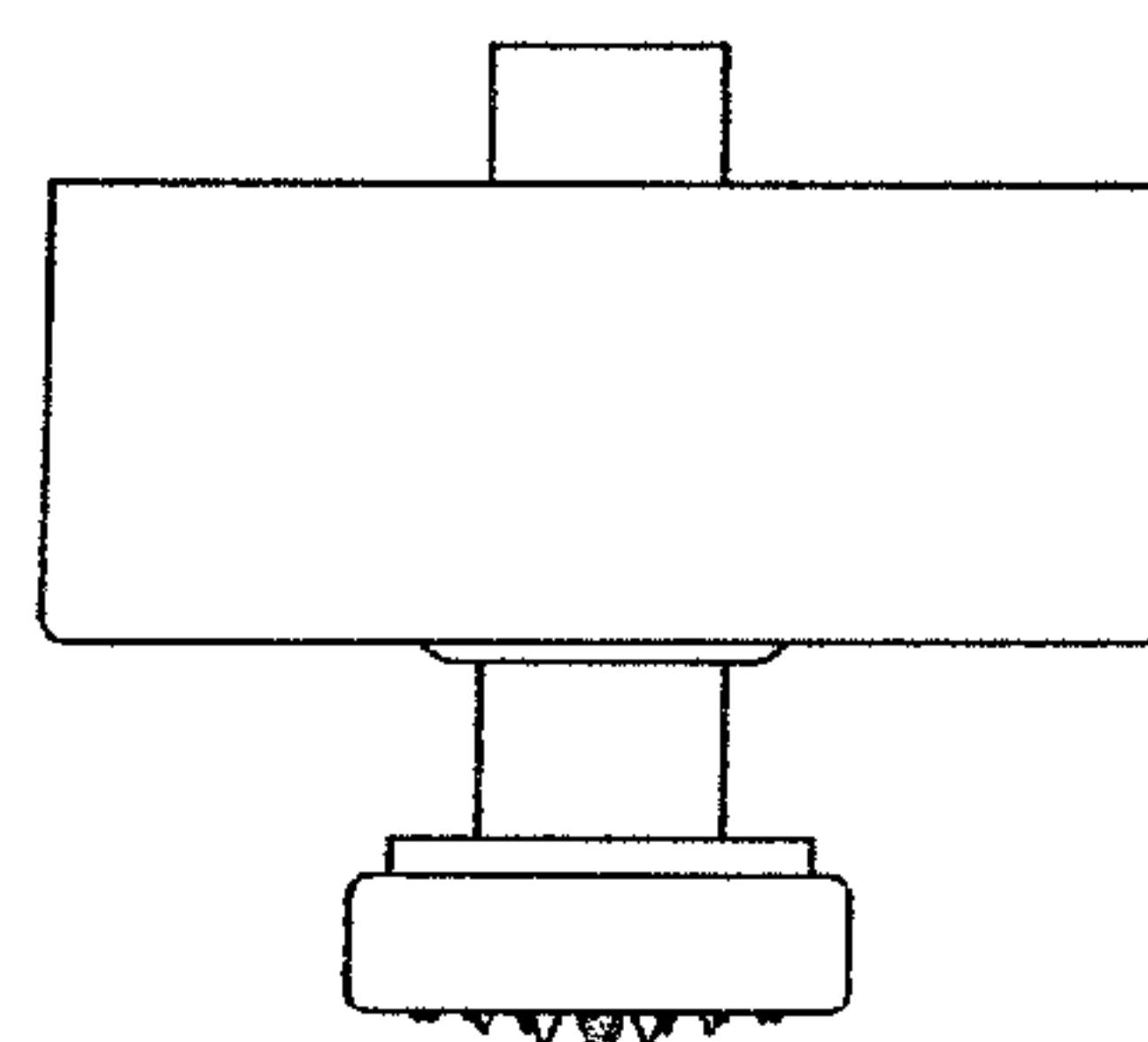


FIG. 8

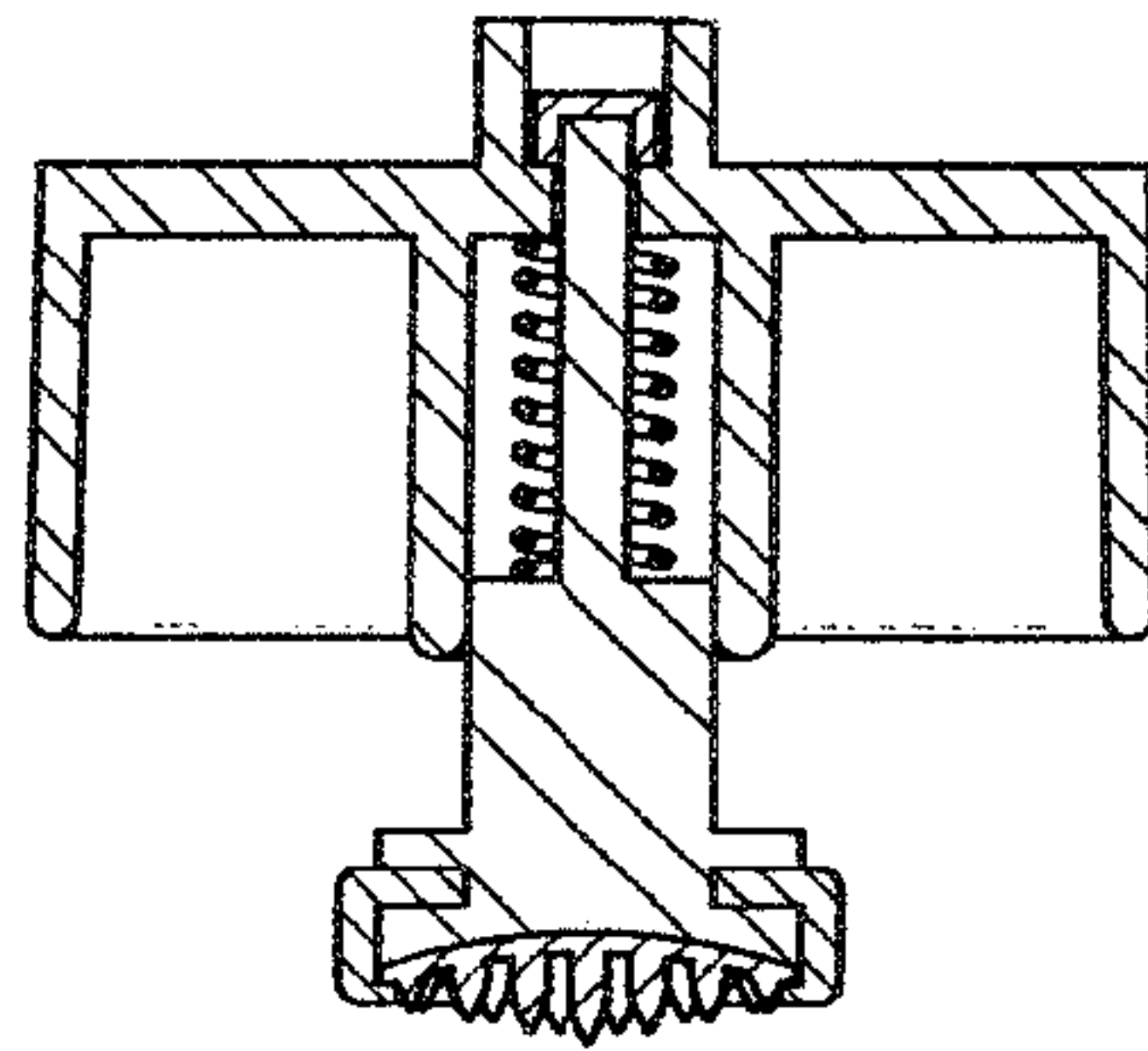


FIG. 9

