



US00D636087S

(12) **United States Design Patent**
Loew et al.

(10) **Patent No.:** **US D636,087 S**
(45) **Date of Patent:** **** Apr. 12, 2011**

(54) **HAND-HELD APPLICATOR WITH
DISPOSABLE TISSUE INTERFACE FOR
APPLYING ENERGY TO BODY TISSUE**

(75) Inventors: **Christopher Loew**, Palo Alto, CA (US);
Roderick K. MacLean, III, Mountain
View, CA (US); **Alexey Salamini**, San
Francisco, CA (US); **Daniel Francis**,
Mountain View, CA (US); **Yoav**
Ben-Haim, San Francisco, CA (US);
Ted Su, Sunnyvale, CA (US); **Peter J.**
Bentley, San Jose, CA (US)

(73) Assignee: **Miramar Labs, Inc.**, Sunnyvale, CA
(US)

(**) Term: **14 Years**

(21) Appl. No.: **29/348,384**

(22) Filed: **Dec. 28, 2009**

(51) **LOC (9) Cl.** **28-03**

(52) **U.S. Cl.** **D24/200**

(58) **Field of Classification Search** D24/200,
D24/206, 209, 210, 185-187, 214, 215, 133;
601/15, 16, 21, 46, 48, 64, 80, 134-137;
607/96, 98, 99, 1, 100-102; D28/9

See application file for complete search history.

(56) **References Cited**

U.S. PATENT DOCUMENTS

D133,969 S * 9/1942 Warren D24/210
D263,872 S * 4/1982 Rakocy et al. D24/214

D263,998 S * 4/1982 Oberheim D24/214
D321,056 S * 10/1991 Chambers D24/214
D322,676 S * 12/1991 Chambers D24/206
D351,236 S * 10/1994 Held D24/215
D366,703 S * 1/1996 Huen D24/214
D368,343 S * 3/1996 Gebhard et al. D24/215
D414,582 S * 9/1999 Hwang D28/9
D441,456 S * 5/2001 Thiberg D24/210
D533,943 S * 12/2006 Chen D24/214
D582,048 S * 12/2008 Chiu D24/206
D604,855 S * 11/2009 Shearlaw et al. D24/186

* cited by examiner

Primary Examiner — David G Muller

(74) *Attorney, Agent, or Firm* — Downs Rachlin Martin
PLLC

(57) **CLAIM**

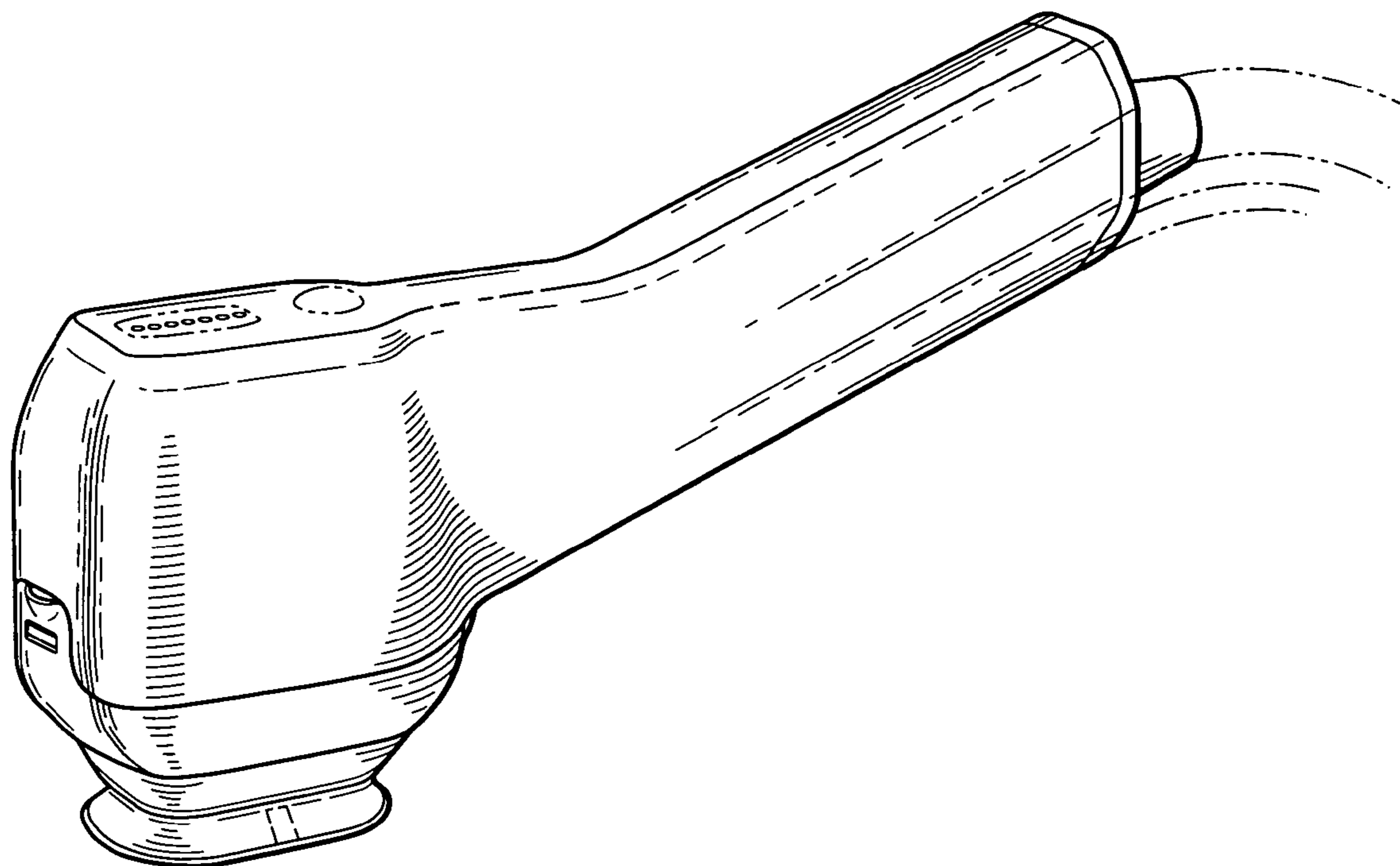
The ornamental design for a hand-held applicator with dis-
posable tissue interface for applying energy to body tissue, as
shown and described.

DESCRIPTION

FIG. 1 is a perspective view;
FIG. 2 is a right side elevation view;
FIG. 3 is a left side elevation view;
FIG. 4 is a top plan view;
FIG. 5 is a bottom plan view;
FIG. 6 is a front elevation view; and,
FIG. 7 is a rear elevation view.

The phantom lines are for environmental purposes only and
form no part of the claimed design.

1 Claim, 2 Drawing Sheets



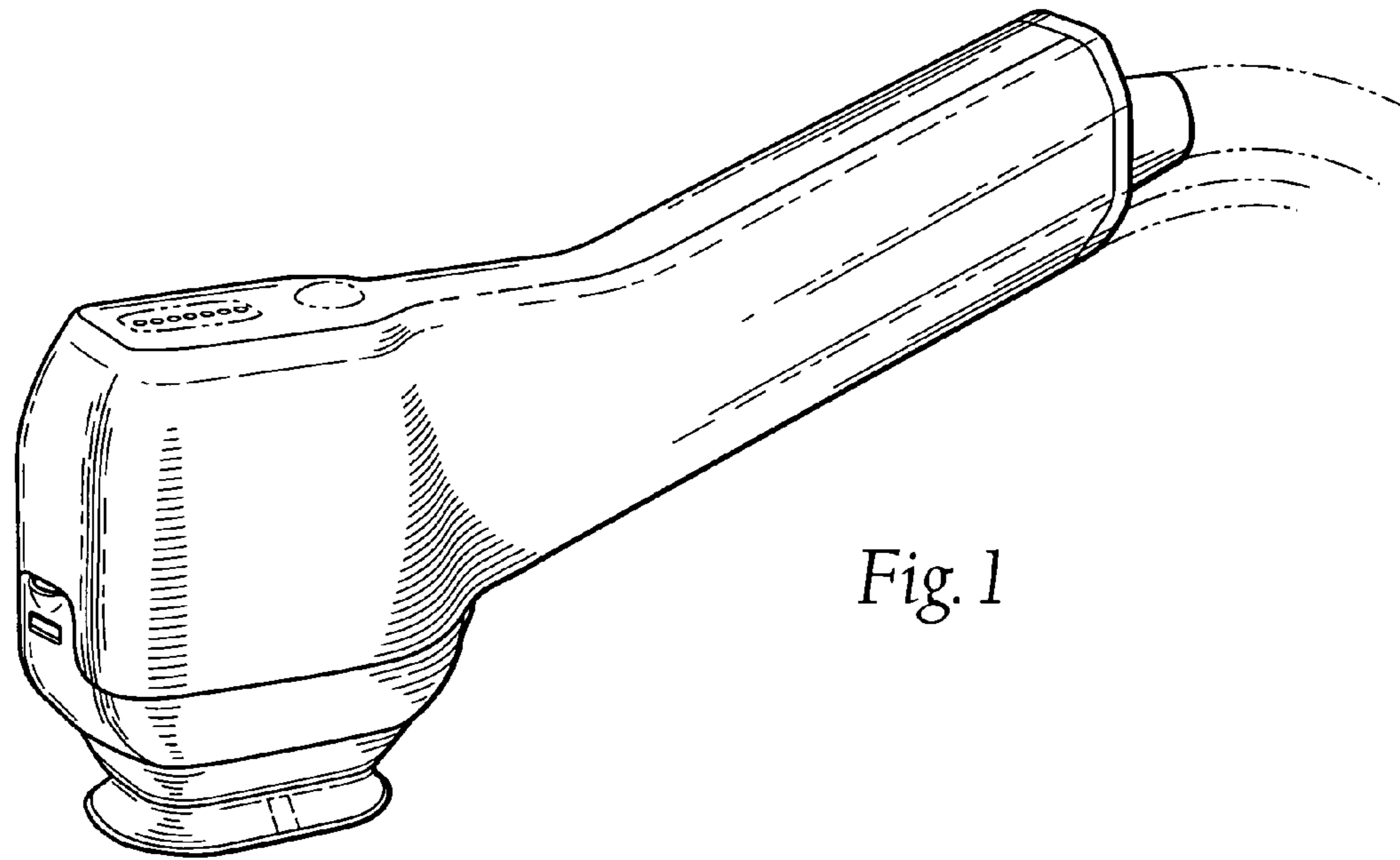


Fig. 1

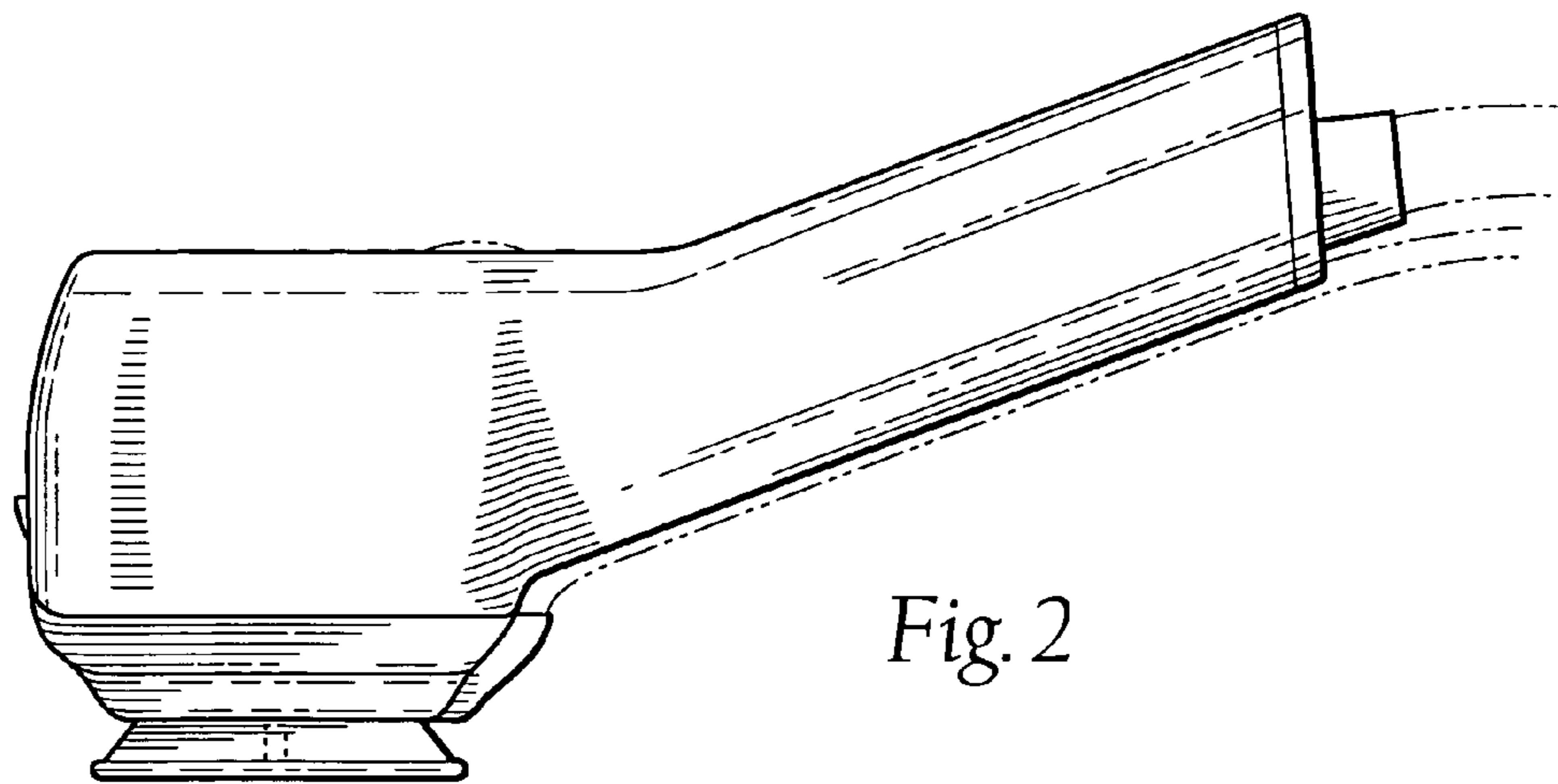


Fig. 2

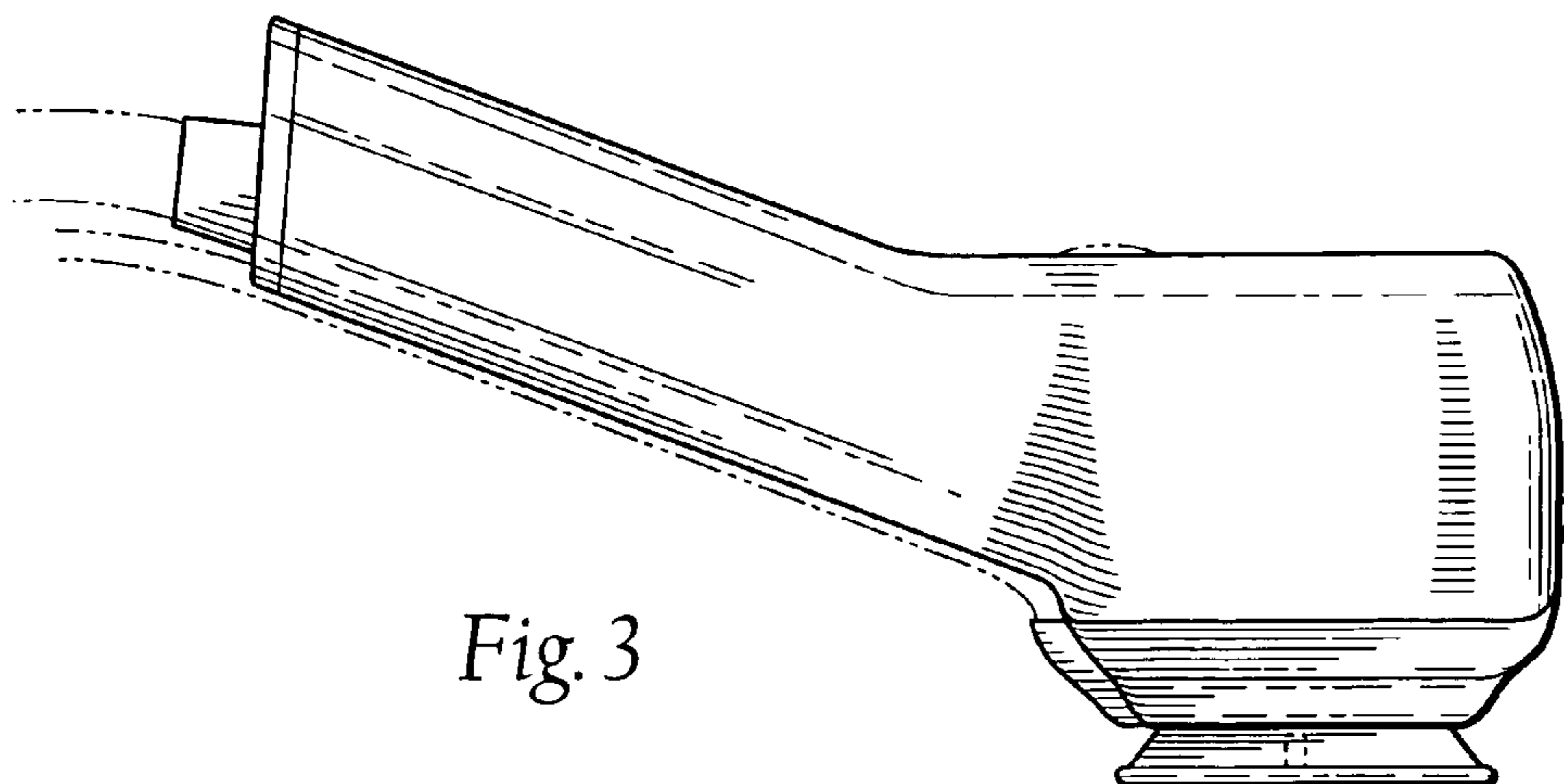


Fig. 3

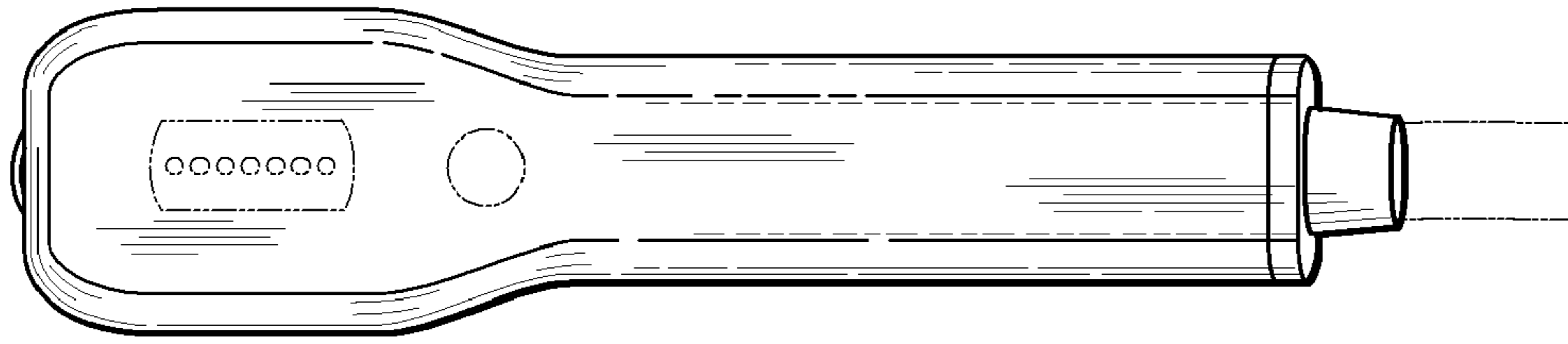


Fig. 4

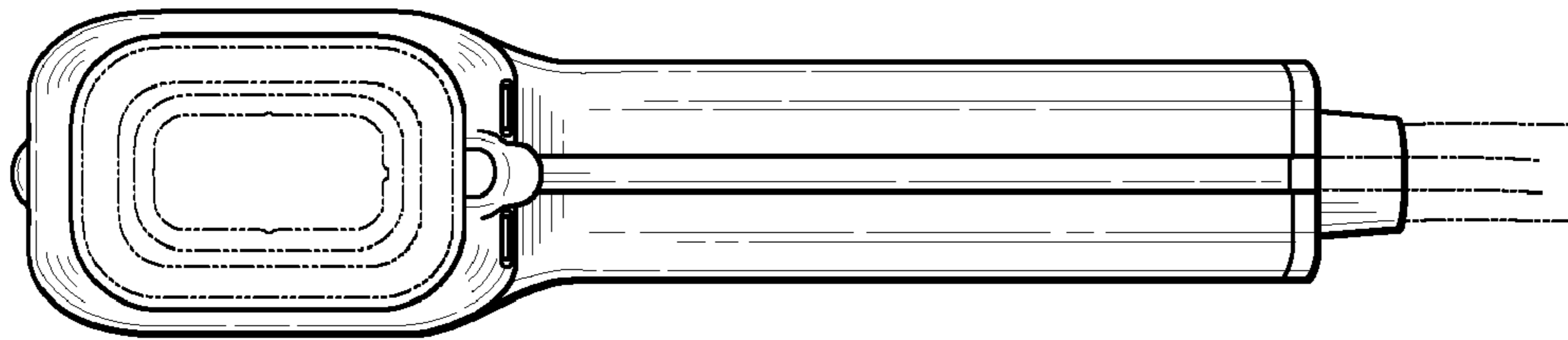


Fig. 5

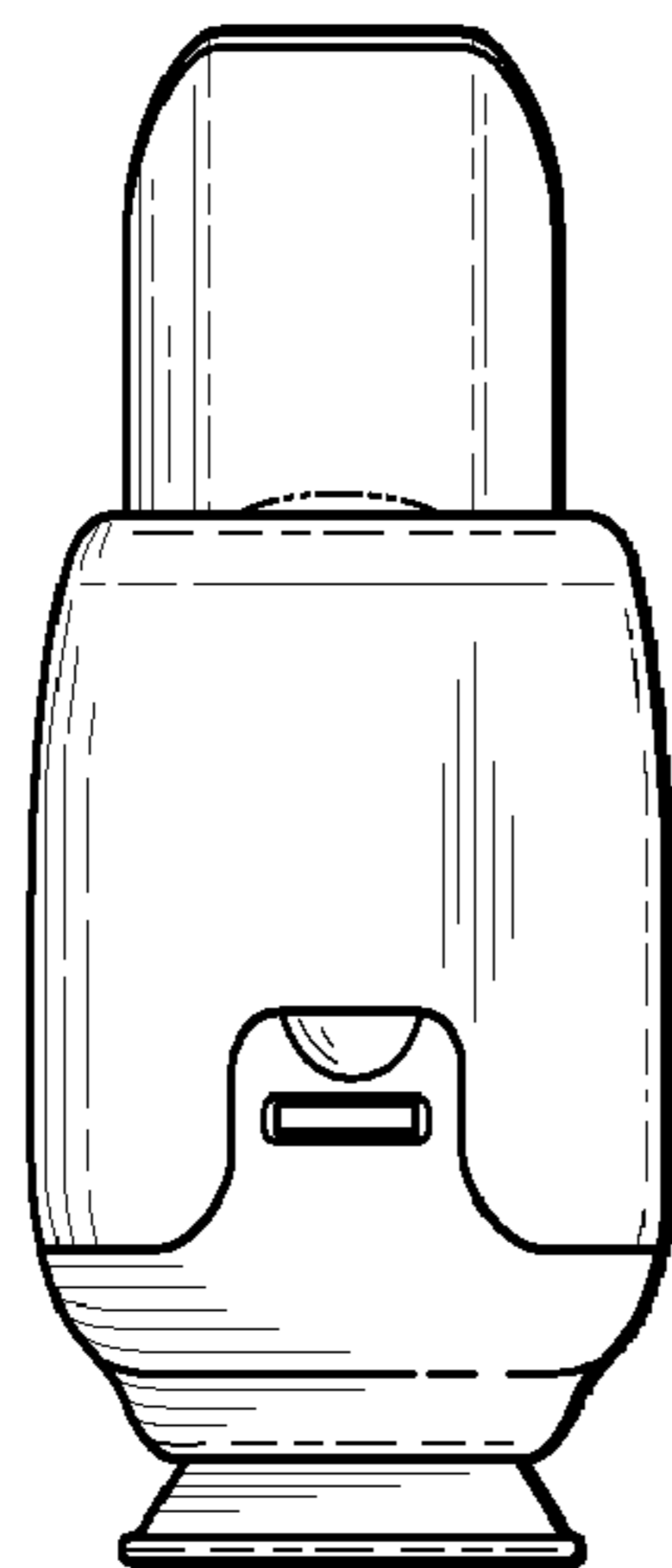


Fig. 6

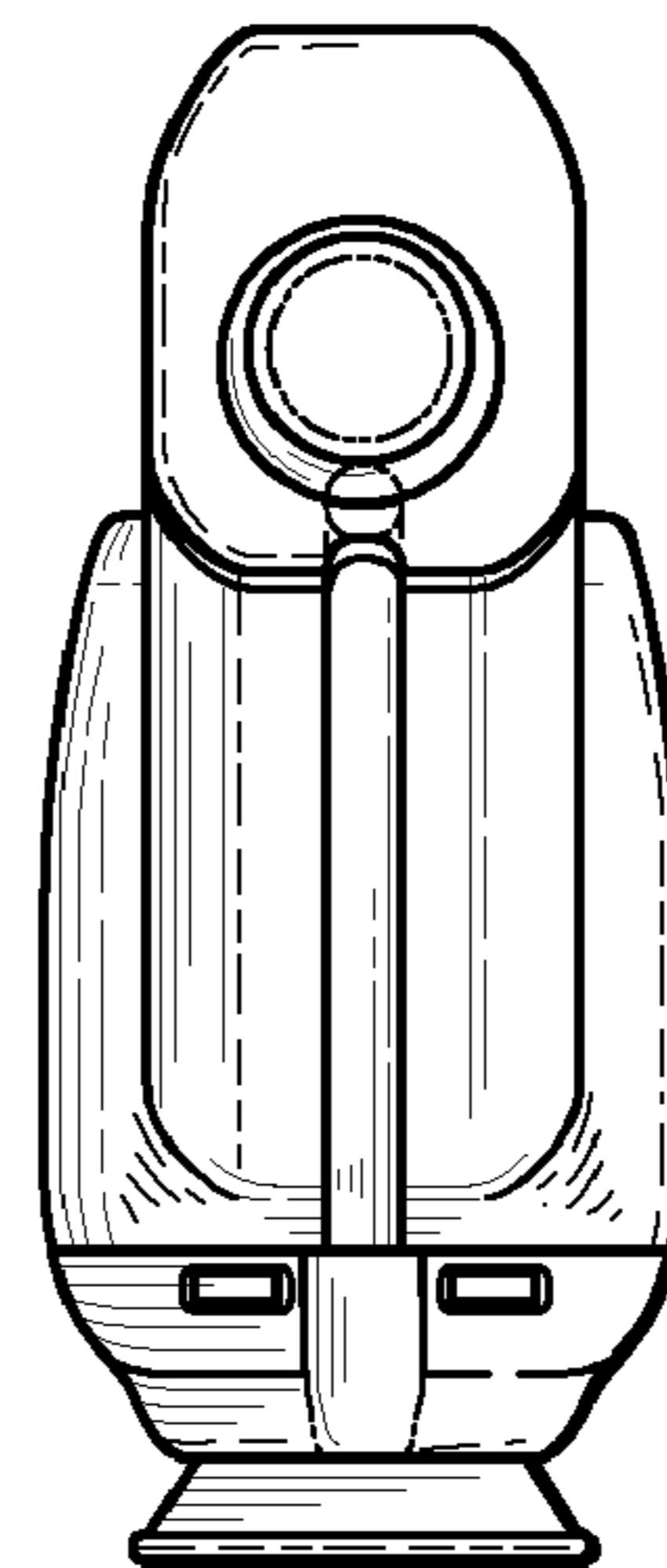


Fig. 7