



US00D636079S

(12) **United States Design Patent**  
**Leypold et al.**

(10) **Patent No.:** **US D636,079 S**  
(45) **Date of Patent:** **\*\* Apr. 12, 2011**

(54) **IRRIGATION ADAPTER FOR SHAVER  
BLADES**

(75) Inventors: **Kerstin Leypold**, Braeunlingen (DE);  
**Yann Thouement**, Les essarts le roi  
(FR)

(73) Assignee: **Karl Storz GmbH & Co. KG** (DE)

(\*\*) Term: **14 Years**

(21) Appl. No.: **29/364,331**

(22) Filed: **Jun. 22, 2010**

(30) **Foreign Application Priority Data**

Dec. 22, 2009 (EM) ..... 001651142-0001

(51) **LOC (9) Cl.** ..... **24-02**

(52) **U.S. Cl.** ..... **D24/129**

(58) **Field of Classification Search** ..... D24/128-130,  
D24/133, 135, 176, 152, 156, 140, 141, 143,  
D24/137, 138; 600/206, 214, 164, 157, 156,  
600/200, 113, 135, 138, 121, 131, 153, 462,  
600/101, 142, 154, 125; 606/191, 196, 197,  
606/198

See application file for complete search history.

(56) **References Cited**

**U.S. PATENT DOCUMENTS**

3,699,964 A \* 10/1972 Ericson ..... 604/33  
4,296,949 A \* 10/1981 Muetterties et al. .... 285/18  
D269,457 S \* 6/1983 Ishiwara ..... D24/138  
5,556,367 A \* 9/1996 Yabe et al. .... 600/124  
5,584,793 A \* 12/1996 Sauer et al. .... 600/121

5,662,588 A \* 9/1997 Iida ..... 600/121  
D390,955 S \* 2/1998 Sjostrom et al. .... D24/146  
D390,956 S \* 2/1998 Sjostrom et al. .... D24/146  
5,957,898 A \* 9/1999 Jepson et al. .... 604/256  
6,015,171 A \* 1/2000 Schorn ..... 285/362  
6,110,104 A \* 8/2000 Suzuki et al. .... 600/124  
6,685,713 B1 \* 2/2004 Ahmed ..... 606/140  
D612,496 S \* 3/2010 Bennison ..... D24/138  
2001/0025133 A1 \* 9/2001 Staud ..... 600/121  
2003/0195478 A1 \* 10/2003 Russo ..... 604/247  
2006/0064065 A1 \* 3/2006 Russo ..... 604/256  
2009/0088600 A1 \* 4/2009 Meloul ..... 600/104

\* cited by examiner

*Primary Examiner* — T. Chase Nelson

*Assistant Examiner* — Eric L Goodman

(74) *Attorney, Agent, or Firm* — St. Onge Steward Johnston  
& Reens LLC

(57) **CLAIM**

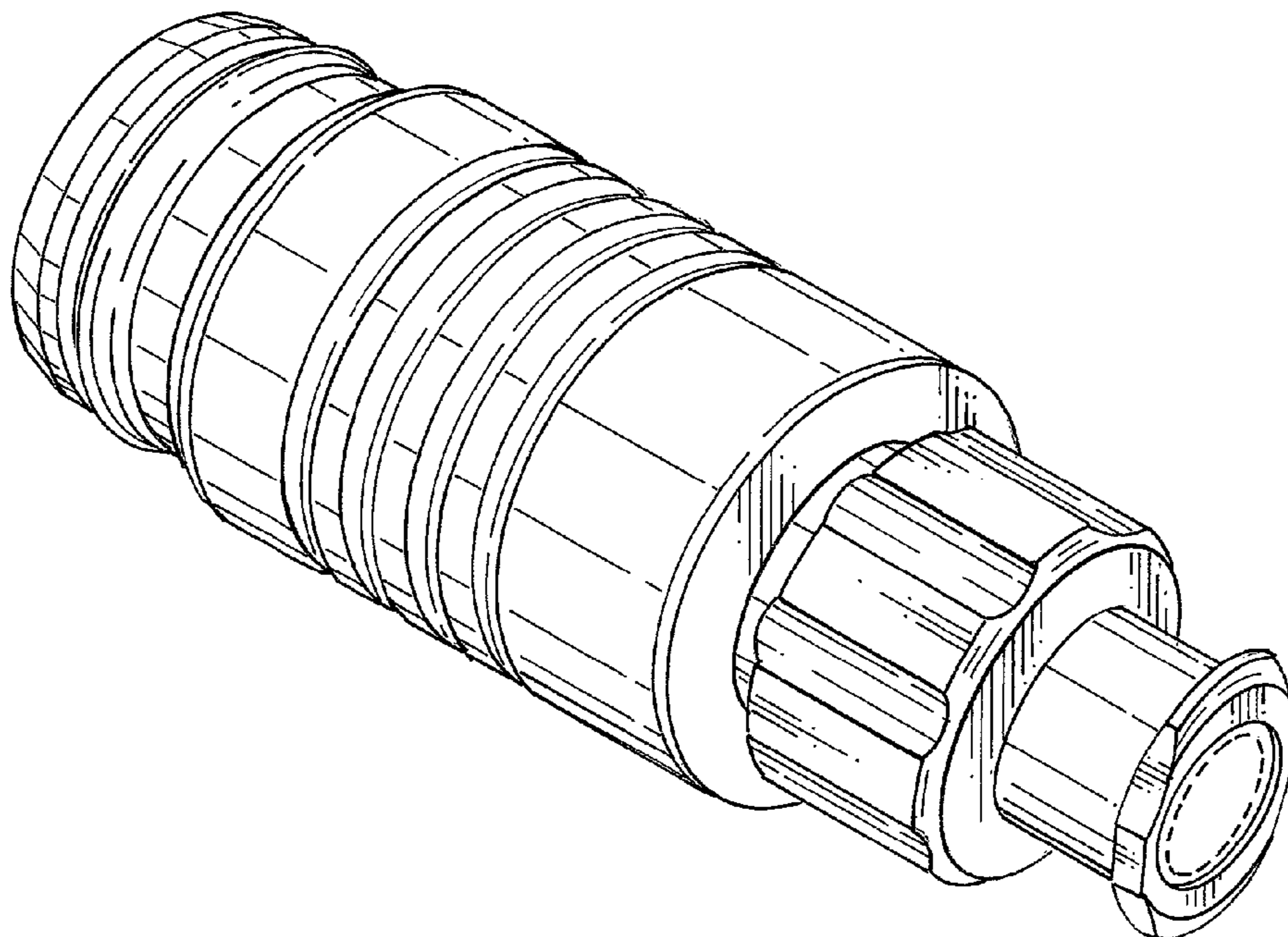
The ornamental design for an irrigation adapter for shaver blades, as shown and described.

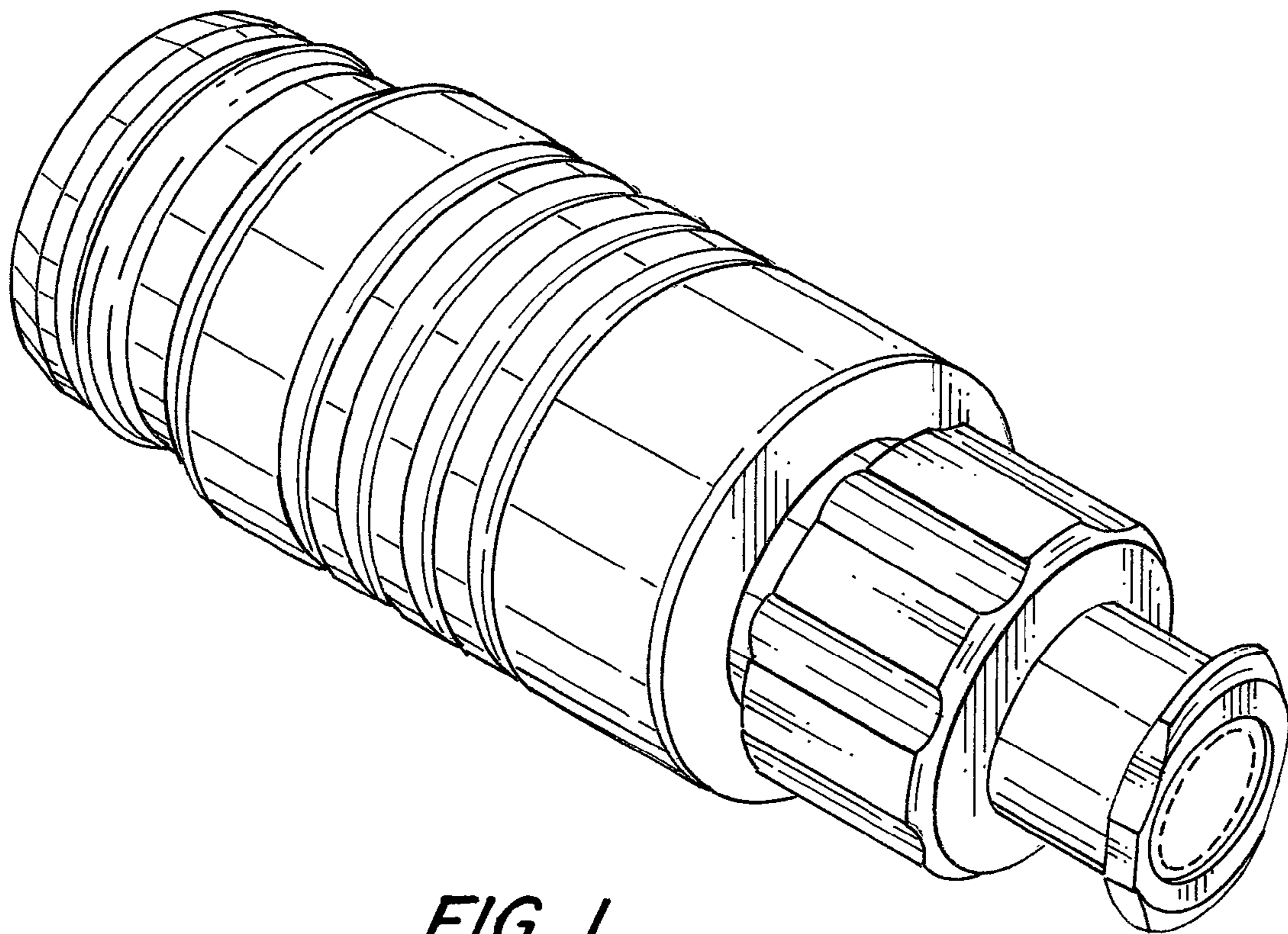
**DESCRIPTION**

FIG. 1 is a left side perspective view of an irrigation adapter for shaver blades in accordance with the new design; FIG. 2 is a right side elevation view thereof; FIG. 3 is top plan view thereof, the bottom plan view being a mirror image thereof; FIG. 4 is a front elevation view thereof; and, FIG. 5 is a rear elevation view thereof.

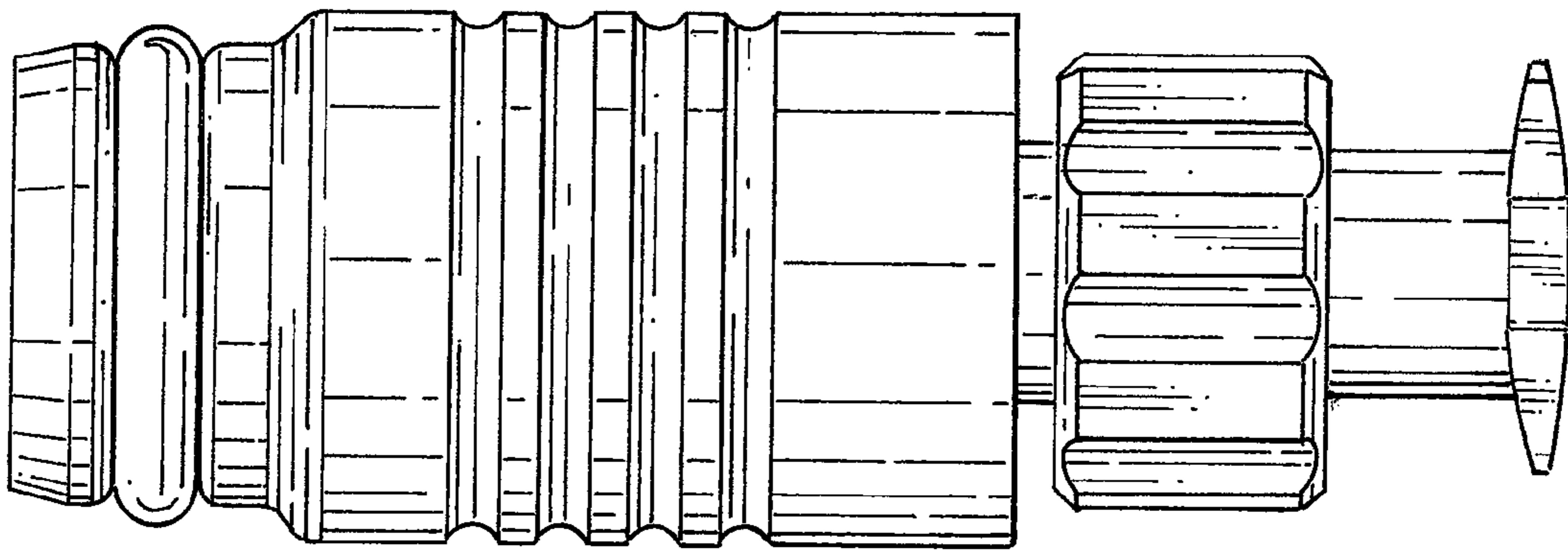
The broken line showing in FIGS. 1, 4 and 5 is included for the purpose of illustrating portions of the irrigation adapter for shaver blades that form no part of the claimed design.

**1 Claim, 4 Drawing Sheets**

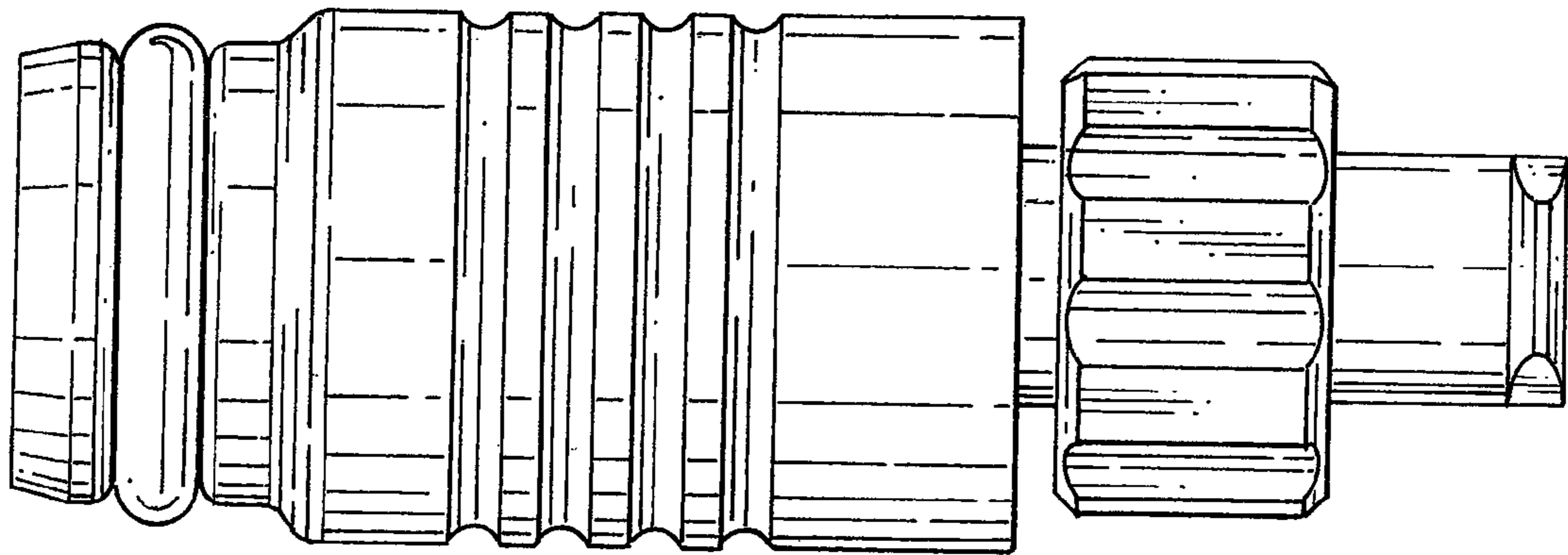




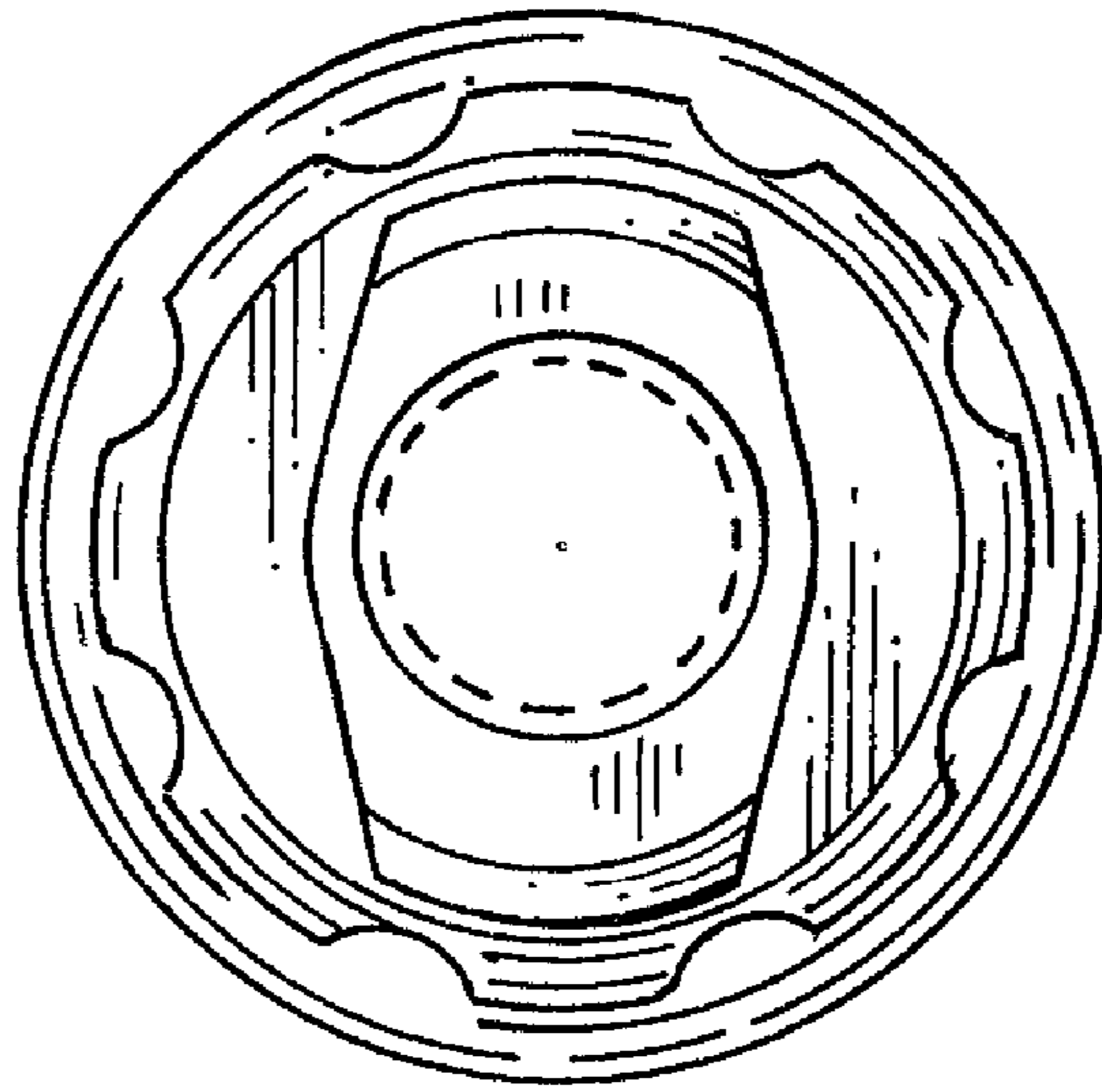
*FIG. 1*



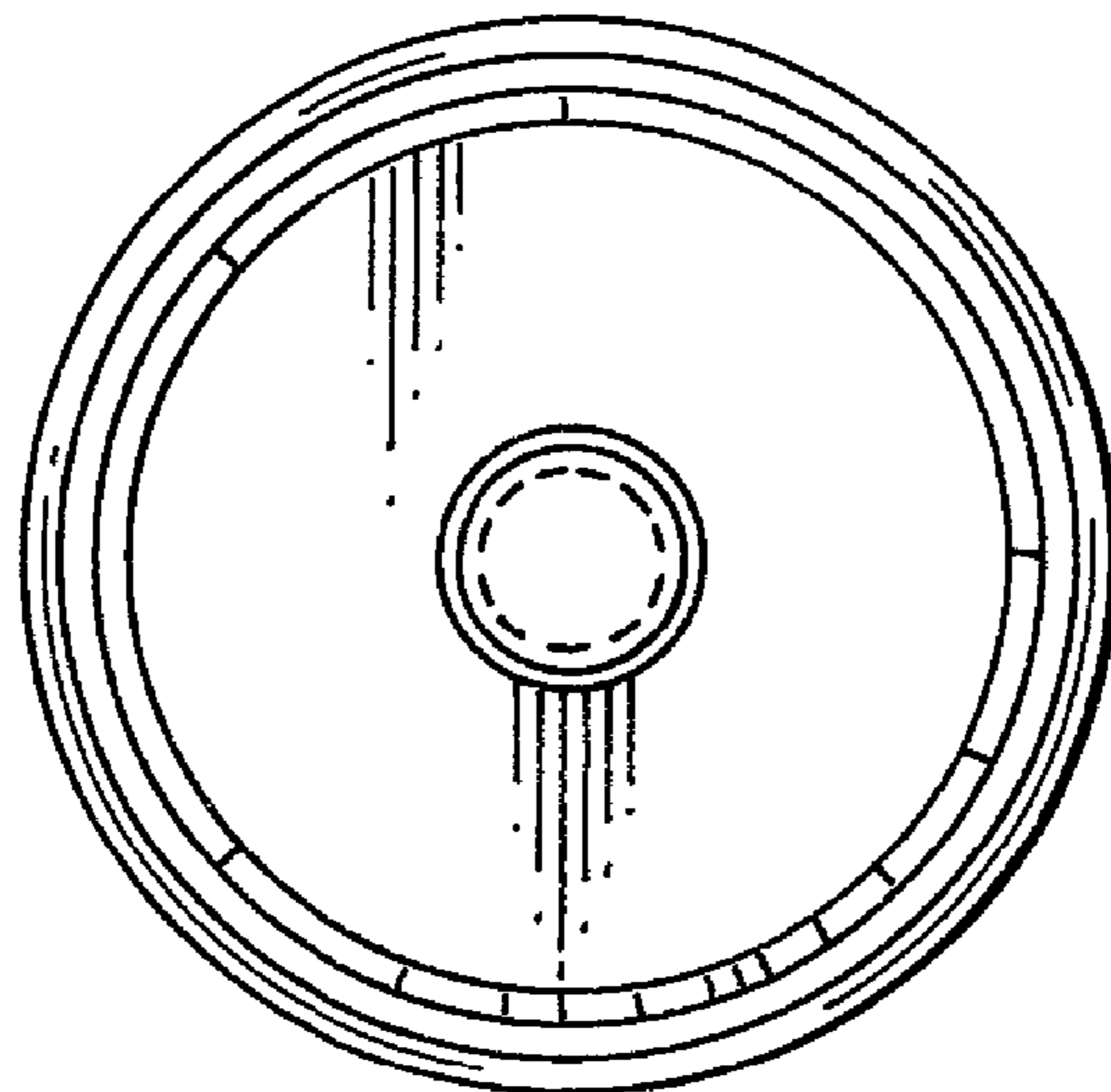
*FIG. 2*



*FIG. 3*



*FIG. 4*



*FIG. 5*