



US00D636078S

(12) **United States Design Patent**  
**Leypold et al.**

(10) **Patent No.:** **US D636,078 S**  
(45) **Date of Patent:** **\*\* Apr. 12, 2011**

(54) **IRRIGATION ADAPTER FOR SHAVER**

(75) Inventors: **Kerstin Leypold**, Braeunlingen (DE);  
**Yann Thouement**, Les essarts le roi  
(FR)

(73) Assignee: **Karl Storz GmbH & Co. KG** (DE)

(\*\*) Term: **14 Years**

(21) Appl. No.: **29/364,313**

(22) Filed: **Jun. 22, 2010**

(30) **Foreign Application Priority Data**

Dec. 22, 2009 (EM) ..... 001651142-0019

(51) **LOC (9) Cl.** ..... **24-02**

(52) **U.S. Cl.** ..... **D24/129**

(58) **Field of Classification Search** ..... D24/128-130,  
D24/133, 135, 176, 152, 156, 140, 141, 143,  
D24/138; 600/206, 214, 164, 157, 156, 200,  
600/113, 135, 138, 121, 131, 153, 462, 101,  
600/142, 154, 125; 606/191, 196, 197, 198  
See application file for complete search history.

(56) **References Cited**

**U.S. PATENT DOCUMENTS**

3,699,964	A *	10/1972	Ericson	604/33
4,296,949	A *	10/1981	Muetterties et al.	285/18
D269,457	S *	6/1983	Ishiwara	D24/138
5,556,367	A *	9/1996	Yabe et al.	600/124
5,584,793	A *	12/1996	Sauer et al.	600/121
5,662,588	A *	9/1997	Iida	600/121

D390,955	S *	2/1998	Sjostrom et al.	D24/146
D390,956	S *	2/1998	Sjostrom et al.	D24/146
5,957,898	A *	9/1999	Jepson et al.	604/256
6,015,171	A *	1/2000	Schorn	285/362
6,110,104	A *	8/2000	Suzuki et al.	600/124
6,685,713	B1 *	2/2004	Ahmed	606/140
D612,496	S *	3/2010	Bennison	D24/138
2001/0025133	A1 *	9/2001	Staud	600/121
2003/0195478	A1 *	10/2003	Russo	604/247
2006/0064065	A1 *	3/2006	Russo	604/256
2009/0088600	A1 *	4/2009	Meloul	600/104

\* cited by examiner

*Primary Examiner* — T. Chase Nelson

*Assistant Examiner* — Eric L Goodman

(74) *Attorney, Agent, or Firm* — St. Onge Steward Johnston  
& Reens LLC

(57) **CLAIM**

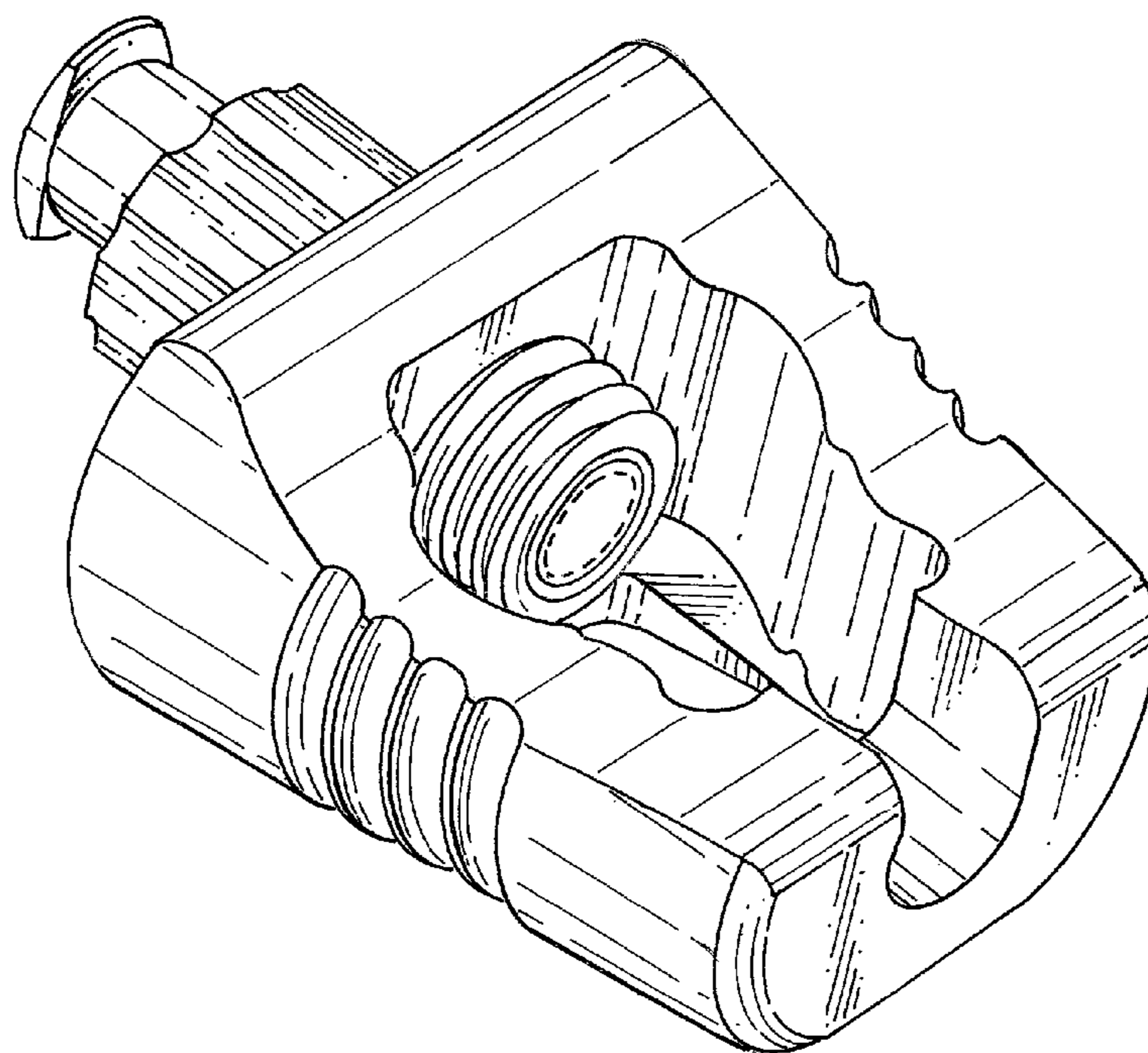
The ornamental design for an irrigation adapter for shaver, as shown and described.

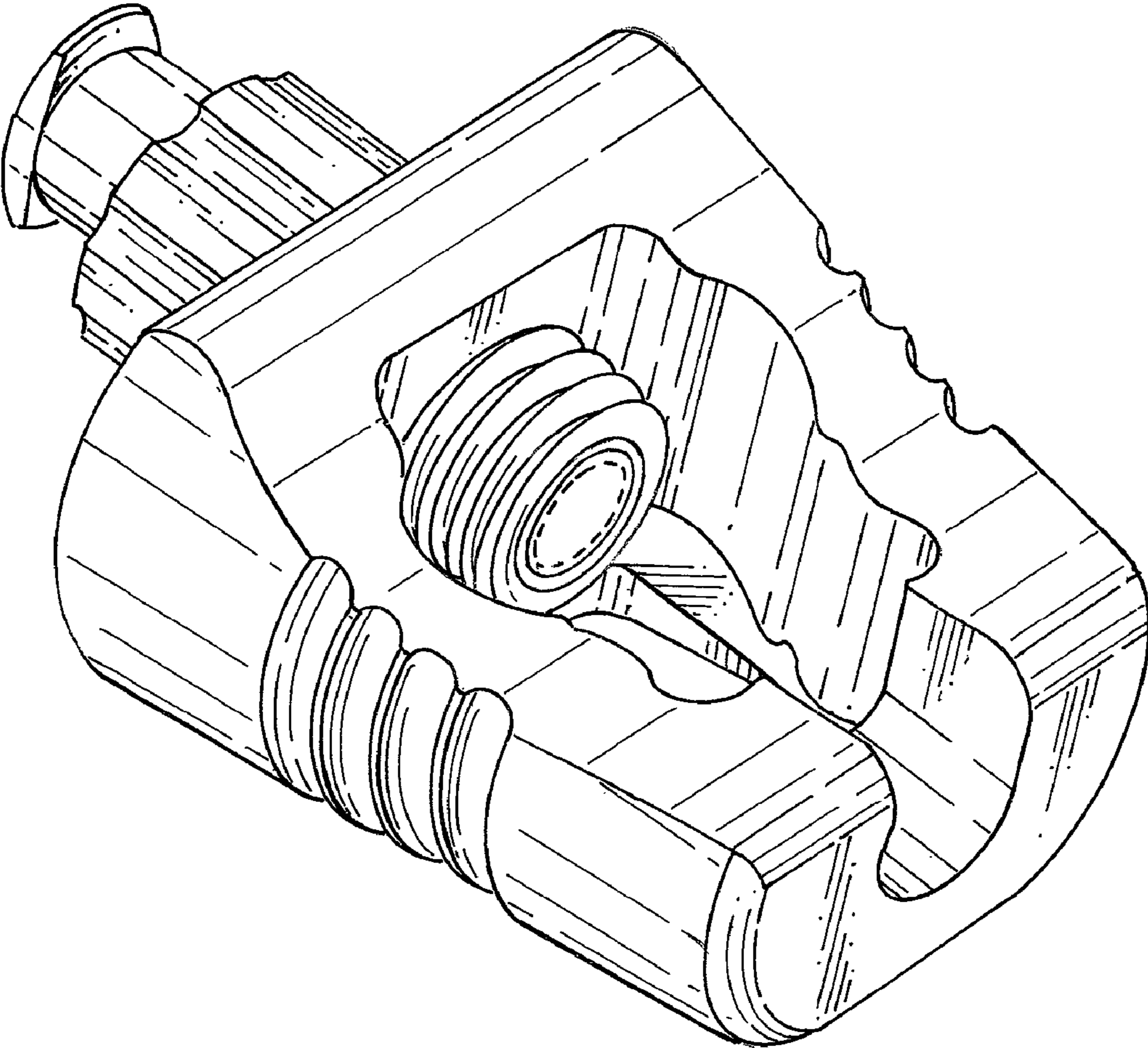
**DESCRIPTION**

FIG. 1 is a top perspective view of an irrigation adapter for shaver in accordance with the new design;  
FIG. 2 is a right side elevation view thereof, the left side elevation view being a mirror image thereof;  
FIG. 3 is a top plan view thereof;  
FIG. 4 is a bottom plan view thereof;  
FIG. 5 is a front elevation view thereof; and,  
FIG. 6 is a rear elevation view thereof.

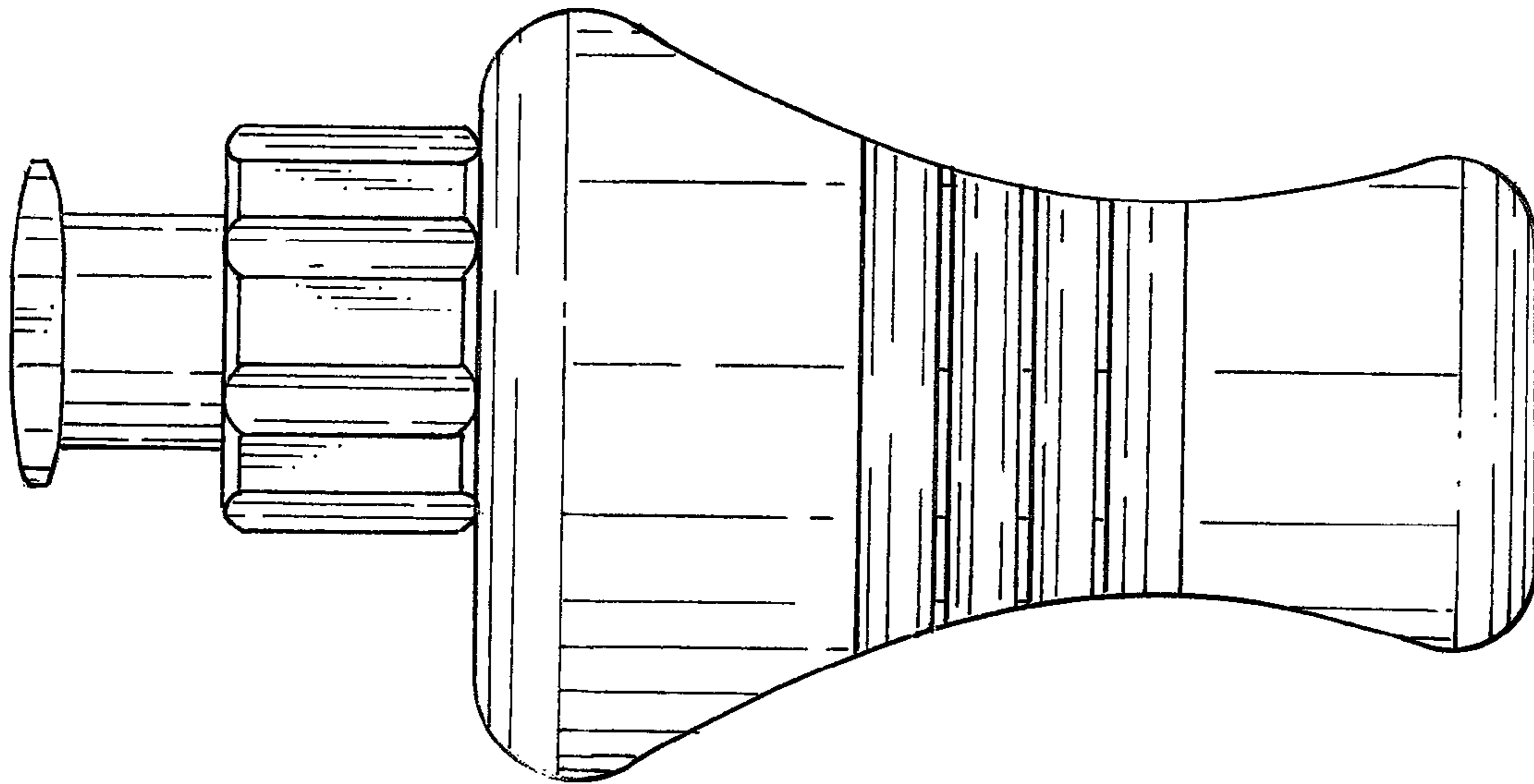
The broken line showing in FIGS. 1, 5 and 6 is included for the purpose of illustrating portions of the irrigation adapter for shaver that form no part of the claimed design.

**1 Claim, 6 Drawing Sheets**

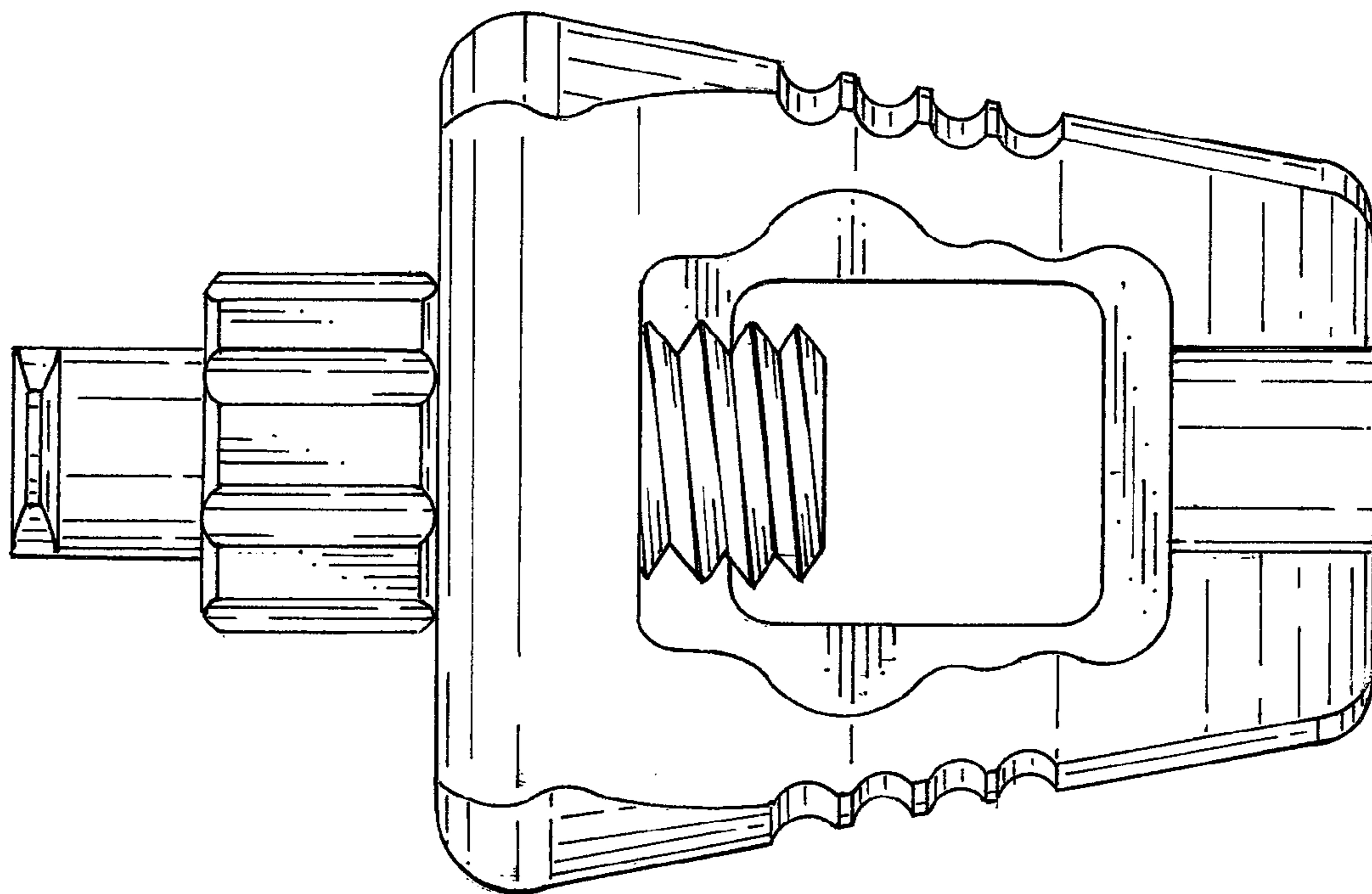




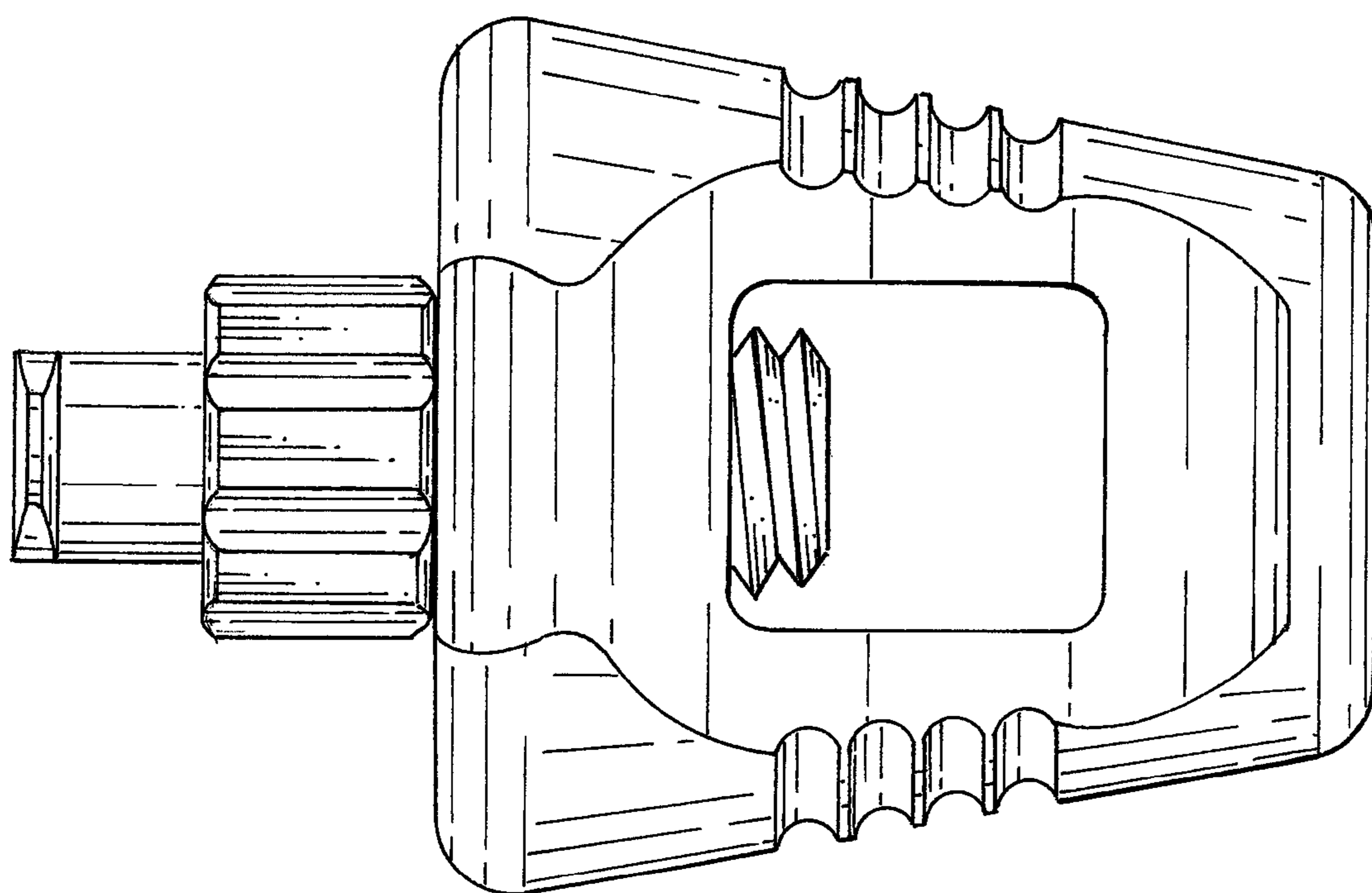
*FIG. 1*



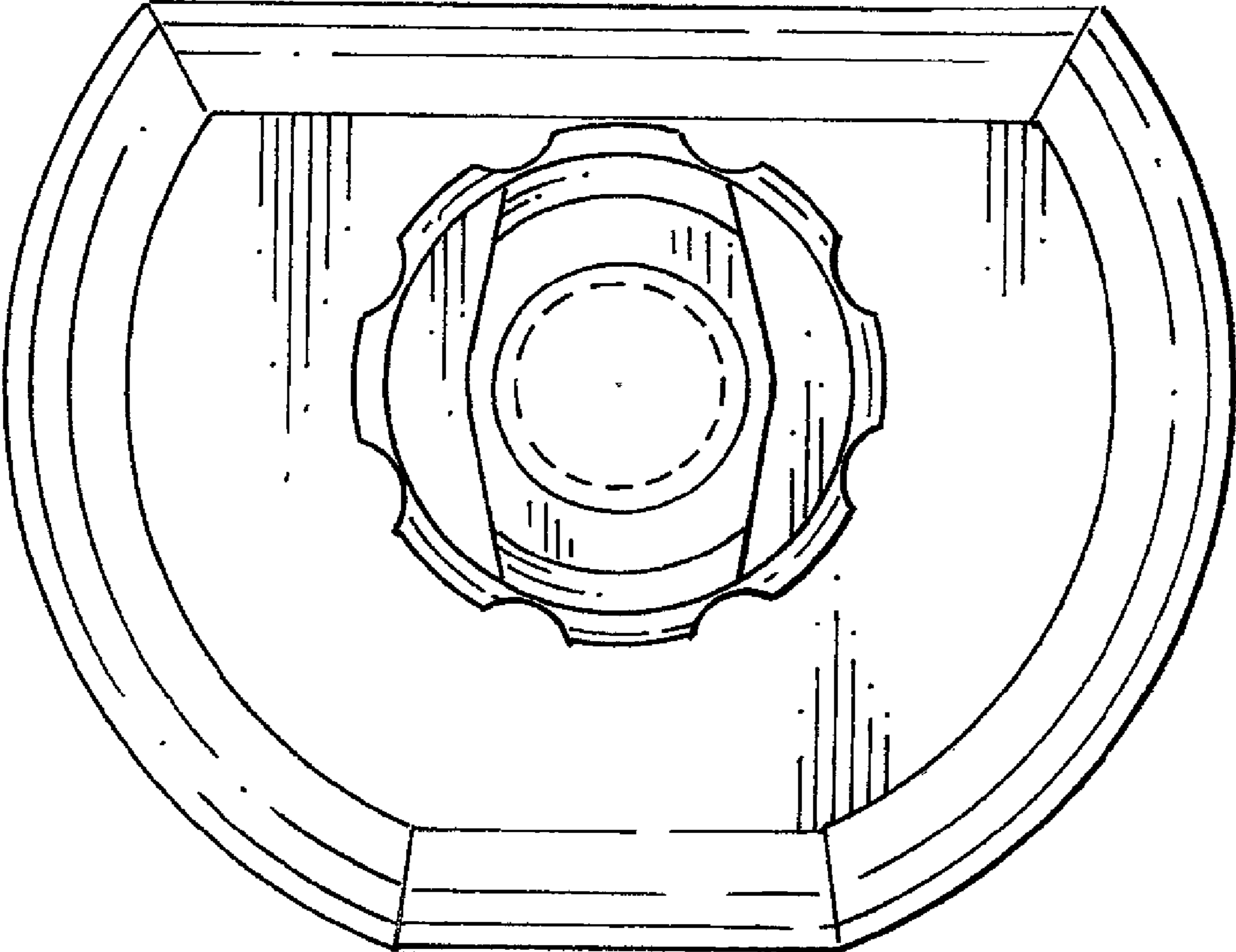
*FIG. 2*



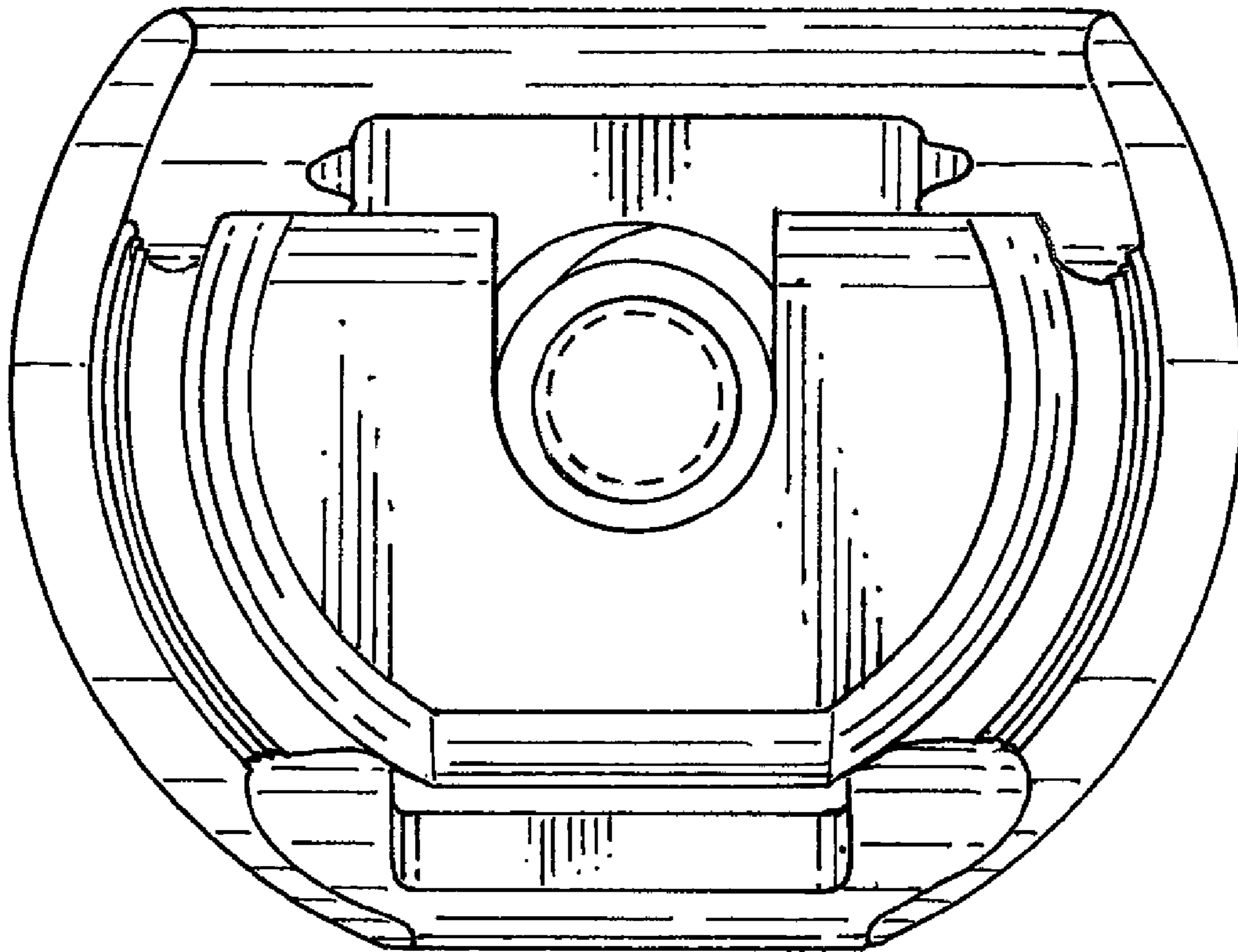
*FIG. 3*



*FIG. 4*



*FIG. 5*



*FIG. 6*